

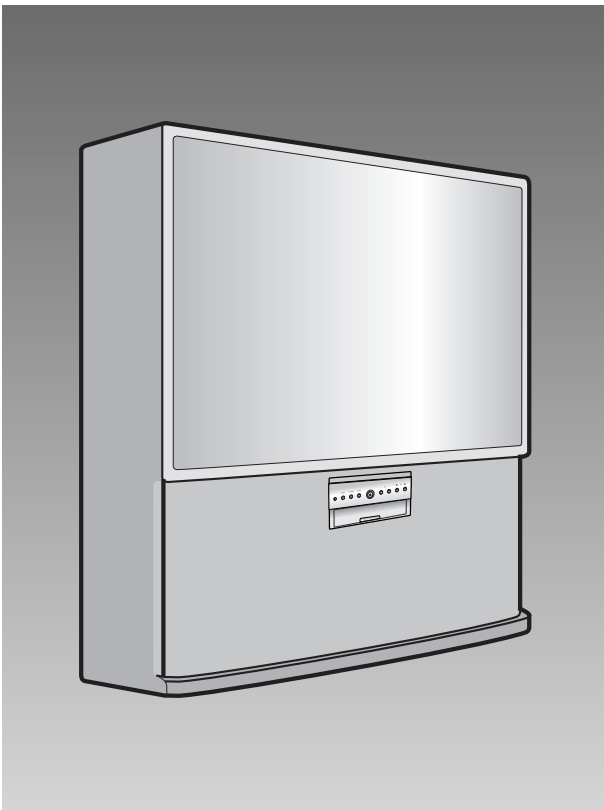
**SAMSUNG**

# PROJECTION TV RECEIVER

Chassis : P54A(REV. 2)  
Model: PCL545RX/XAA PCL5415RX/XAA  
PCL5415R3C/XAA PCL6215R3C/XAA  
HCL552WX/XAA HCL5515WX/XAA  
HCL652WX/XAA HCL6515WX/XAA  
HCL473WX/XAA HCL4715WX/XAA  
ST54J9P3S/XAX ST62J9P3S/XAX

# **SERVICE** *Manual*

## PROJECTION TV RECEIVER



## CONTENTS

1. Precautions
2. Reference Information
3. Specifications
4. Alignment and Adjustments
5. Troubleshooting
6. Exploded View and Parts List
7. Electric Parts List
8. Block Diagrams
9. Wiring Diagram
10. Schematic Diagrams



**ELECTRONICS**

## 1. Precautions

Follow these safety, servicing and ESD precautions to prevent damage and protect against potential hazards such as electrical shock and X-rays.

### 1-1 Safety Precautions

1. Be sure that all of the built-in protective devices are replaced. Restore any missing protective shields.
2. When reinstalling the chassis and its assemblies, be sure to restore all protective devices, including: nonmetallic control knobs and compartment covers.
3. Make sure that there are no cabinet openings through which people—particularly children—might insert fingers and contact dangerous voltages. Such openings include the spacing between the picture tube and the cabinet mask, excessively wide cabinet ventilation slots, and improperly fitted back covers.

If the measured resistance is less than 1.0 megohm or greater than 5.2 megohms, an abnormality exists that must be corrected before the unit is returned to the customer.

4. Leakage Current Hot Check (Figure 1-1):  
Warning: Do not use an isolation transformer during this test. Use a leakage-current tester or a metering system that complies with American National Standards Institute (ANIS C101.1, Leakage Current for Appliances), and Underwriters Laboratories (UL Publication UL1410, 59.7).
5. With the unit completely reassembled, plug the AC line cord directly into the power outlet. With the unit's AC switch first in the ON position and then OFF, measure the current between a known earth ground (metal water pipe, conduit, etc.) and all exposed metal parts, including: antennas, handle brackets, metal cabinets, screwheads and control shafts. The current measured should not exceed 0.5 milliamp. Reverse the power-plug prongs in the AC outlet and repeat the test.

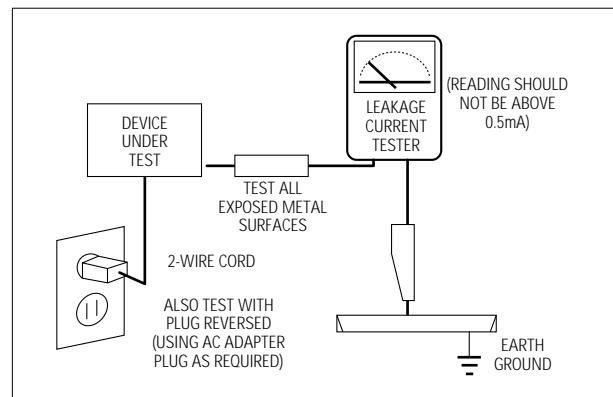


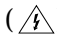
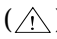
Fig. 1-1 AC Leakage Test

6. Antenna Cold Check:  
With the unit's AC plug disconnected from the AC source, connect an electrical jumper across the two AC prongs. Connect one lead of the ohmmeter to an AC prong. Connect the other lead to the coaxial connector.
7. X-ray Limits:  
The picture tube is especially designed to prohibit X-ray emissions. To ensure continued X-ray protection, replace the picture tube only with one that is the same type as the original. Carefully reinstall the picture tube shields and mounting hardware; these also provide X-ray protection.
8. High Voltage Limits:  
High voltage must be measured each time servicing is done on the B+, horizontal deflection or high voltage circuits. Correct operation of the X-ray protection circuits must be reconfirmed whenever they are serviced.  
(X-ray protection circuits also may be called "horizontal disable" or "hold-down".)

Heed the high voltage limits. These include the X-ray Protection Specifications Label, and the Product Safety and X-ray Warning Note on the service data schematic.

## 1-1 Safety Precautions (Continued)

---

9. High voltage is maintained within specified limits by close-tolerance, safety-related components and adjustments. If the high voltage exceeds the specified limits, check each of the special components.
10. Design Alteration Warning:  
Never alter or add to the mechanical or electrical design of this unit. Example: Do not add auxiliary audio or video connectors. Such alterations might create a safety hazard. Also, any design changes or additions will void the manufacturer's warranty.
11. Hot Chassis Warning:  
Some TV receiver chassis are electrically connected directly to one conductor of the AC power cord. If an isolation transformer is not used, these units may be safely serviced only if the AC power plug is inserted so that the chassis is connected to the ground side of the AC source.  
  
To confirm that the AC power plug is inserted correctly, do the following: Using an AC voltmeter, measure the voltage between the chassis and a known earth ground. If the reading is greater than 1.0V, remove the AC power plug, reverse its polarity and reinsert. Re-measure the voltage between the chassis and ground.
12. Some TV chassis are designed to operate with 85 volts AC between chassis and ground, regardless of the AC plug polarity. These units can be safely serviced only if an isolation transformer inserted between the receiver and the power source.
13. Some TV chassis have a secondary ground system in addition to the main chassis ground. This secondary ground system is not isolated from the AC power line. The two ground systems are electrically separated by insulating material that must not be defeated or altered.
14. Components, parts and wiring that appear to have overheated or that are otherwise damaged should be replaced with parts that meet the original specifications. Always determine the cause of damage or overheating, and correct any potential hazards.
15. Observe the original lead dress, especially near the following areas: Antenna wiring, sharp edges, and especially the AC and high voltage power supplies. Always inspect for pinched, out-of-place, or frayed wiring. Do not change the spacing between components and the printed circuit board. Check the AC power cord for damage. Make sure that leads and components do not touch thermally hot parts.
16. Picture Tube Implosion Warning:  
The picture tube in this receiver employs "integral implosion" protection. To ensure continued implosion protection, make sure that the replacement picture tube is the same as the original.
17. Do not remove, install or handle the picture tube without first putting on shatterproof goggles equipped with side shields. Never handle the picture tube by its neck. Some "in-line" picture tubes are equipped with a permanently attached deflection yoke; do not try to remove such "permanently attached" yokes from the picture tube.
18. Product Safety Notice:  
Some electrical and mechanical parts have special safety-related characteristics which might not be obvious from visual inspection. These safety features and the protection they give might be lost if the replacement component differs from the original—even if the replacement is rated for higher voltage, wattage, etc.  
  
Components that are critical for safety are indicated in the circuit diagram by shading, () or ().  
Use replacement components that have the same ratings, especially for flame resistance and dielectric strength specifications. A replacement part that does not have the same safety characteristics as the original might create shock, fire or other hazards.



## 1-2 Servicing Precautions

---

**Warning 1 :** First read the "Safety Precautions" section of this manual. If some unforeseen circumstance creates a conflict between the servicing and safety precautions, always follow the safety precautions.

**Warning 2 :** An electrolytic capacitor installed with the wrong polarity might explode.

1. Servicing precautions are printed on the cabinet. Follow them.
2. Always unplug the unit's AC power cord from the AC power source before attempting to: (a) Remove or reinstall any component or assembly, (b) Disconnect an electrical plug or connector, (c) Connect a test component in parallel with an electrolytic capacitor.
3. Some components are raised above the printed circuit board for safety. An insulation tube or tape is sometimes used. The internal wiring is sometimes clamped to prevent contact with thermally hot components. Reinstall all such elements to their original position.
4. After servicing, always check that the screws, components and wiring have been correctly reinstalled. Make sure that the portion around the serviced part has not been damaged.
5. Check the insulation between the blades of the AC plug and accessible conductive parts (examples: metal panels, input terminals and earphone jacks).
6. **Insulation Checking Procedure:** Disconnect the power cord from the AC source and turn the power switch ON. Connect an insulation resistance meter (500V) to the blades of the AC plug.  
  
The insulation resistance between each blade of the AC plug and accessible conductive parts (see above) should be greater than 1 megohm.
7. Never defeat any of the B+ voltage interlocks. Do not apply AC power to the unit (or any of its assemblies) unless all solid-state heat sinks are correctly installed.
8. Always connect a test instrument's ground lead to the instrument chassis ground before connecting the positive lead; always remove the instrument's ground lead last.
9. When some parts inside the optical engine (except lamp) are damaged, replace the whole optical engine.

**"CAUTION : Double-pole/neutral fusing"**

## 1-3 Precautions for Electrostatically Sensitive Devices (ESDs)

---

1. Some semiconductor (“solid state”) devices are easily damaged by static electricity. Such components are called Electrostatically Sensitive Devices (ESDs); examples include integrated circuits and some field-effect transistors. The following techniques will reduce the occurrence of component damage caused by static electricity.
2. Immediately before handling any semiconductor components or assemblies, drain the electrostatic charge from your body by touching a known earth ground. Alternatively, wear a discharging wrist-strap device. (Be sure to remove it prior to applying power—this is an electric shock precaution.)
3. After removing an ESD-equipped assembly, place it on a conductive surface such as aluminum foil to prevent accumulation of electrostatic charge.
4. Do not use freon-propelled chemicals. These can generate electrical charges that damage ESDs.
5. Use only a grounded-tip soldering iron when soldering or unsoldering ESDs.
6. Use only an anti-static solder removal device. Many solder removal devices are not rated as “anti-static”; these can accumulate sufficient electrical charge to damage ESDs.
7. Do not remove a replacement ESD from its protective package until you are ready to install it. Most replacement ESDs are packaged with leads that are electrically shorted together by conductive foam, aluminum foil or other conductive materials.
8. Immediately before removing the protective material from the leads of a replacement ESD, touch the protective material to the chassis or circuit assembly into which the device will be installed.
9. Minimize body motions when handling unpackaged replacement ESDs. Motions such as brushing clothes together, or lifting a foot from a carpeted floor can generate enough static electricity to damage an ESD.

## 2. Reference Information

### 2-1 Tables of Abbreviations and Acronyms

Table 2-1 Abbreviations

A	Ampere	MV	Megavolt
Ah	Ampere-hour	MW	Megawatt
Å	Angstrom	MΩ	Megohm
dB	Decibel	m	Meter
dBm	Decibel Referenced to One Milliwatt	μA	Microampere
°C	Degree Celsius	μF	Microfarad
°F	Degree Fahrenheit	μH	Microhenry
°K	degree Kelvin	μm	Micrometer
F	Farad	μs	Microsecond
G	Gauss	μW	Microwatt
GHz	Gigahertz	mA	Milliampere
g	Gram	mg	Milligram
H	Henry	mH	Millihenry
Hz	Hertz	ml	Milliliter
h	Hour	mm	Millimeter
ips	Inches Per Second	ms	Millisecond
kWh	Kilowatt-hour	mV	Millivolt
kg	Kilogram	nF	Nanofarad
kHz	Kilohertz	Ω	Ohm
kΩ	Kilohm	pF	Picofarad
km	Kilometer	lb	Pound
km/h	Kilometer Per Hour	rpm	Revolutions Per Minute
kV	Kilovolt	rps	Revolutions Per Second
kVA	Kilovolt-ampere	s	Second (Time)
kW	Kilowatt	V	Volt
l	Liter	VA	Volt-ampere
MHz	Megahertz	W	Watt
		Wh	Watt-hour

Table 2-2 Table of Acronyms

ABL	Automatic Brightness Limiter	I/O	Input/output
AC	Alternating Current	L	Left
ACC	Automatic Chroma Control	L	Low
AF	Audio Frequency	LED	Light Emitting Diode
AFC	Automatic Frequency Control	LF	Low Frequency
AFT	Automatic Fine Tuning	MOSFET	Metal-Oxide-Semiconductor-Field-Effect-Tr
AGC	Automatic Gain Control	MTS	Multi-channel Television Sound
AM	Amplitude Modulation	NAB	National Association of Broadcasters
ANSI	American National Standards Institute	NEC	National Electric Code
APC	Automatic Phase Control	NTSC	National Television Systems Committee
APC	Automatic Picture Control	OSD	On Screen Display
A/V	Audio-Video	PCB	Printed Circuit Board
AVC	Automatic Volume Control	PLL	Phase-Locked Loop
BAL	Balance	PWM	Pulse Width Modulation
BPF	Bandpass Filter	QIF	Quadrature Intermediate Frequency
B-Y	Blue-Y	R	Right
CATV	Community Antenna Television (Cable TV)	RC	Resistor & Capacitor
CB	Citizens Band	RF	Radio Frequency
CCD	Charge Coupled Device	R-Y	Red-Y
CCTV	Closed Circuit Television	SAP	Second Audio Program
Ch	Channel	SAW	Surface Acoustic Wave(Filter)
CRT	Cathode Ray Tube	SIF	Sound Intermediate Frequency
CW	Continuous Wave	SMPS	Switching Mode Power Supply
DC	Direct Current	S/N	Signal/Noise
DVM	Digital Volt Meter	SW	Switch
EIA	Electronics Industries Association	TP	Test Point
ESD	Electrostatic Discharge	TTL	Transistor Transistor Logic
ESD	Electrostatically Sensitive Device	TV	Television
FBP	Feedback Pulse	UHF	Ultra High Frequency
FBT	Flyback Transformer	UL	Underwriters Laboratories
FF	Flip-Flop	UV	Ultraviolet
FM	Frequency Modulation	VCD	Variable-Capacitance Diode
FS	Fail Safe	VCO	Voltage Controlled Oscillator
GND	Ground	VCXO	Voltage Controlled Crystal Oscillator
G-Y	Green-Y	VHF	Very High Frequency
H	High	VIF	Video Intermediate Frequency
HF	High-Frequency	VR	Variable Resistor
HI-FI	High Fidelity	VTR	Video Tape Recorder
IC	Inductance-Capacitance	VTVM	Vacuum Tube Voltmeter
IC	Integrated Circuit	TR	Transistor
IF	Intermediate Frequency		

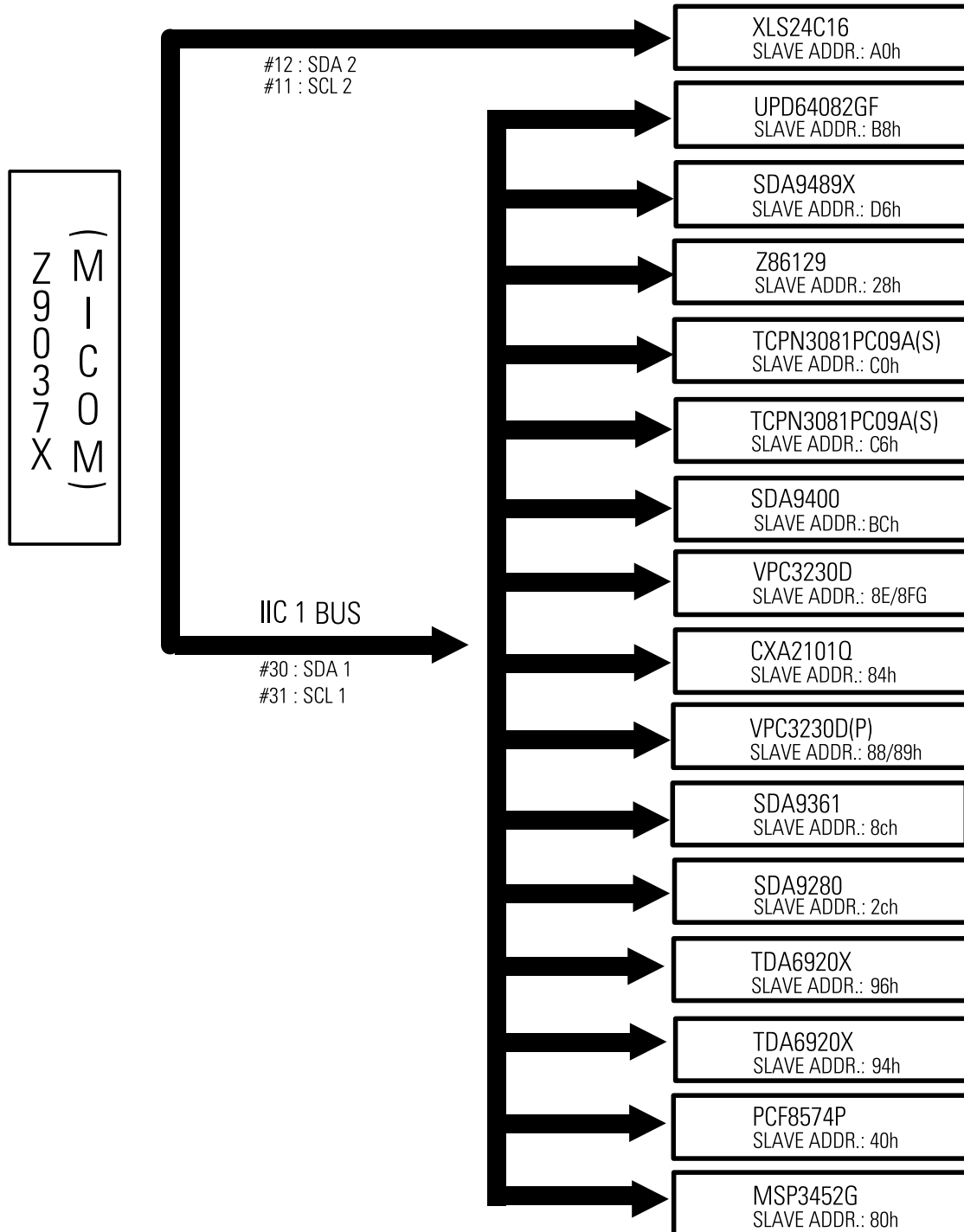
## 2-2 IC Line Up

### 2-2-1 Progressive

Table 2 - 3 IC Line - Up			
No.	Block Name	IC Location	IC Name
1	MAIN	IC655	TDA7265
2	SUB	ICS801	TNY253P
		IC301	LA7845
		IC471	TL494CN
		ICZ103,104	STK392-040
		IC431	MC4558C
3	A/V-Terminal	IC703	PCF8574P
		ICP706	PCF8574P(Optional)
		IC701,702	TDA6920X
		IC705	TC4052BP
		ICD02	MC14528B
		ICD01,03	EL4583C
4	Micom	IC901	Z9037116PSC
		IC902	24C16
5	Caption	ICC01	Z86129
		ICC02,03	NJM2248D
6	Double Window(D/W)	IC06	SDA9361
		IC07	CXA2101AQ
		IC01	VPC3230D-B2
		IC02	SDP9400
		IC03	SDS9280
		PIC01	VPC3230D-B2
		PIC02	MS81V04160
*6-1	PIP	*ICP701	SDA9488X
		*IC04	CIP3250A
7	3D-Comb	IC01	UPD64082GF
		IC02	416C1204

Table 2 - 3 IC Line - Up (Continued)			
No.	Block Name	IC Location	IC Name
8	Convergence	IC111,112	CD40668BCM
		IC109,110	74HC4066
		IC102	74HC4046
		IC106,107,108	TL072
		IC105	EL2210CS
		IC103	TSC87251G2D
		IC101	SDC91
		IC104	AT82C64
9	Sound	ICD601	MSP3452G-A1
		*ICD601	MSP3450G-B6
		ICD602,603	TL062
10	CRT	IC501,531,561	TDA6111Q
11	POWER	IC801S	STRF6656
		IC802	SVD001(OPTION)
		IC804	SE110N

## 2-3 MICOM IIC BUS LINE -UP



# MENO



### 3. Specifications

Broadcasting System	NTSC
Scanning System	Progressive Scanning
Tuning Range	VHF : CH2 ~ CH13 UHF : CH14 ~ CH69 Cable : CH1, CH14 ~ 125
Antenna Impedance	75 ohm Unbalanced
Intermediate Frequency	Video : 45.75 MHz Sound : 42.25 MHz Chrominance Subcarrier : 42.17 MHz
Sound Output	STD : 10W FULL MAX : 15W
Rated Voltage	120V / 60 Hz
W/B Coordinates	Hx : 290            Hy : 278            Y : 8.0 Lx : 290            Ly : 278            Y : 0.2
High Voltage	29KV
FUSE	250V/6.3A CODE NO : 3601-000300
Power Consumption	230W

# MENO

## 4. Alignment and Adjustments

### 4-1 When entering the service mode:

1. Turn on the TV, and then select "STANDARD" on the picture adjustment mode.
2. Turn off the TV (STAND-BY).
3. Enter the service mode by pressing the remote control keys in the following sequence :  
MUTE 1→8→2→Power On

Note : If necessary, re-do steps 1~3.

Initial display when the service mode is switched.

#### 1. When a RF signal is received

SERVICE MODE NORMAL
GEOMETRICS
PICTURE
SOUND
PIP
OPTION
READ
RESET

#### 2. When a DTV signal is received

SERVICE MODE 1080i/480P
GEOMETRICS
PICTURE
SOUND
PIP
OPTION
READ
RESET

#### 3. Service Mode Control Keys

MAIN MENU	MENU DISPLAY
CH UP/DOWN	Select item by moving cursor
VOL UP/DOWN	Decrease or increase the adjustment values

### < PRECAUTIONS >

1. When EEPROM IC (IC902) is replaced, first connect the power cord and wait for about 4~5 seconds.
2. After replacing EEPROM IC (IC902), enter the Service mode. Next, enter the standard data or the previous EEPROM IC data before replacement. And then check and adjust any items related to Geometric, Picture, Option.

## 4-2 Factory Data

### 4-2-1 NORMAL

#### GEOMETRIC

Item	FUNCTION	RANGE	INITIAL DATA	Performance of adjustment	EEP-ROM COPY DATA			
					54"	62"	55"	65"
VS	V-Shift	0~255	110	Variable	100	100	100	100
VA	V-Size	0~255	120	Variable	120	120	120	120
VL	V-Line	0~255	120	x	120	120	120	120
VSC	V-S-CORR	0~255	128	x	128	128	128	128
VE	V-EHT	0~255	0	x	0	0	0	0
HA	H-Size	0~255	84	Variable	80	80	80	80
PPH	PIN-PHS	0~255	128	x	128	128	128	128
PAM	PIN-AMP	0~255	70	x	70	70	70	70
UPC	UP-CORR	0~255	128	x	128	128	128	128
LOC	LO-CORR	0~255	128	x	128	128	128	128
HEH	H-EHT	0~255	0	x	0	0	0	0
HS	H-Shift	0~127	90	Fix	90	90	90	90
VAN	V-Angle	0~255	128	x	128	128	128	128
VBO	V-Bow	0~255	128	x	128	128	128	128
HSP	H-Sync-PH	0~255	138	x	138	138	138	138
OFS	Offset	0~1	0	x	0	0	0	0
VSO	VS-Offset	0~125	57	Variable	57	85	0	0
VAO	VA-Offset	0~125	70	Variable	70	95	60	60
VLO	VL-Offset	0~125	0	Variable	0	0	0	0

Set after changing the option for 1080i-mode factory-scan (OFS 0->1)  
\*Only DTV 1080i Mode

 **PICTURE**

Item	FUNCTION	RANGE	INITIAL DATA	Performance of adjustment	EEP-ROM COPY DATA			
					54"	62"	55"	65"
RDR	R-Drive	0~63	20	Variable	38	38	38	38
GDR	G-Drive	0~63	20	(Fix)	32	32	32	32
BDR	B-Drive	0~63	20	Variable	22	22	22	22
RCT	R-Cut Off	0~63	31	Variable	8	8	8	8
GCT	G-Cut Off	0~63	31	Variable	20	20	20	20
BCT	B-Cut Off	0~63	31	Variable	5	5	5	5
SBT	Sub-BRT	0~63	15	Variable	28	28	28	28
CON	Sub-CONT	0~15	7	Variable	5	5	5	5
COL	Sub-Color	0~15	10	X	10/10/10	10/10/10	10/10/10	10/10/10
HUE	Sub-Tint	0~15	5	X	5	5	5	5
RYR	R-Y AXIS	0~15	2	X	2	2	2	2
RYB	R-Y AXIS	0~15	13	X	10	10	10	10
GYR	R-Y AXIS	0~15	12	X	10	10	10	10
GYB	R-Y AXIS	0~15	9	X	5	5	5	5
GAM	Gamma	0~15	10	X	12	12	12	12
SHP	Sub-Sharp	0~3	3	x	3	3	3	3
SFO	SHP-FO	0~3	2	x	2/2/3	2/2/3	2/2/3	2/2/3
POV	PRE-OVER	0~3	3	x	3/1/0	3/1/0	3/1/0	3/1/0
LTI	LUMINANCE	0~3	1	x	1	1	1	1
VML	VM-LBL	0~3	2	x	2/2/2	2/2/2	2/2/2	2/2/2
VMD	VM-PHASE	0~3	0	x	0/0/0	0/0/0	0/0/0	0/0/0
DCT	DC-TRAN	0~3	2	x	2/3/2	2/3/2	2/3/2	2/3/2
DPI	D-PIC	0~3	2	x	2/2/2	2/2/2	2/2/2	2/2/2
HPF	HPF/BCOF	0~15	6	x	6	6	6	6
VPF	VPF/HCOF	0~15	6	x	6	6	6	6
VPG	VAPGAIN	0~7	4	x	4	4	4	4
VPI	VAPINV	0~31	20	x	20	20	20	20

 **PICTURE**

Item	FUNCTION	RANGE	INITIAL DATA	Performance of adjustment	EEP-ROM COPY DATA			
					54"	62"	55"	65"
RCO		0~100	100	X	100	100	100	100
GCO		0~100	100	X	100	65	100	100
BCO		0~100	20	X	20	20	20	20
BPO		0~255	160	X	160	160	160	160
BWD		0~255	61	X	61	61	61	61

## 4-2-2 D/TV 1080i


**GEOMETRIC**

Item	FUNCTION	RANGE	INITIAL DATA	Performance of adjustment	EEP-ROM COPY DATA			
					54"	62"	55"	65"
VS	V-Shift	0~255	210	Variable	130	130	130	130
VA	V-Size	0~255	50	Variable	80	80	80	80
VL	V-Line	0~255	128	X	120	120	120	120
VSC	V-S-CORR	0~255	128	X	128	128	128	128
VE	V-EHT	0~255	0	X	0	0	0	0
HA	H-Size	0~255	75	Variable	90	90	90	90
PPH	PIN-PHS	0~255	128	X	128	128	128	128
PAM	PIN-AMP	0~255	70	X	70	70	70	70
UPC	UP-CORR	0~255	128	x	128	128	128	128
LOC	LO-CORR	0~255	128	x	128	128	128	128
HEH	H-EHT	0~255	0	x	0	0	0	0
HS	H-Shift	0~127	68	x	68	68	68	68
VAN	V-Angle	0~255	128	x	128	128	128	128
VBO	V-Bow	0~255	128	x	128	128	128	128
HSP	H-Sync-PH	0~255	138	x	138	138	138	138
OFS	Off set	0~1	0	x	0	0	0	0
VSO	VS-Offset	0~255	57	Variable	57	85	0	0
VAO	VA-Offset	0~255	70	Variable	70	95	60	60
VLO	VL-Offse	0~25	0	Variable	0	0	0	0
Set after changing the option for 1080i-mode factory-scan (OFS 0->1) *Only DTV 1080i Mode								

### 4-2-3 D/TV 480P

#### GEOMETRIC

Item	FUNCTION	RANGE	INITIAL DATA	Performance for adjustment	EEP-ROM COPY DATA			
					54"	62"	55"	65"
VS	V-Shift	0~255	115	Variable	110	110	110	110
VA	V-Size	0~255	60	Variable	100	100	100	100
VL	V-Line	0~255	120	X	128	128	128	128
VSC	V-S-CORR	0~255	128	X	128	128	128	128
VE	V-EHT	0~255	0	X	0	0	0	0
HA	H-Size	0~255	70	Variable	82	82	82	82
PPH	PIN-PHS	0~255	128	X	128	128	128	128
PAM	PIN-AMP	0~255	70	X	82	82	82	82
UPC	UP-CORR	0~255	128	x	128	128	128	128
LOC	LO-CORR	0~255	128	x	128	128	128	128
HEH	H-EHT	0~255	0	x	0	0	0	0
HS	H-Shift	0~127	90	Fix	82	82	82	82
VAN	V-Angle	0~255	128	x	128	128	128	128
VBO	V-Bow	0~255	128	x	128	128	128	128
HSP	H-Sync-PH	0~255	138	x	138	138	138	138
OFS	Off set	0~1	0	x	0	0	0	0
VSO	VS-Offset	0~255	57	x	57	85	0	0
VAO	VA-Offset	0~255	70	x	70	95	60	60
VLO	VL-Offse	0~255	0	x	0	0	0	0
Set after changing the option for 1080i-mode factory-scan (OFS 0->1) *Only DTV 1080i Mode								



 **PIP**

Item	FUNCTION	INITIAL DATA	Performance for adjustment	EEP-ROM COPY DATA			
				54"	62"	55"	65"
CONTRAST	CONTRAST	8	Variable	8	8	8	8
HUE	HUE	0	Variable	0	0	0	0
POS-HOR-L	POS-HOR-L	5	Variable	2	2	2	2
POS-HOR-R	POS-HOR-R	54	Variable	60	60	60	60
POS-VER-U	POS-VER-U	5	Variable	21	21	21	21
POS-HOR-D	POS-HOR-D	33	Variable	22	22	22	22

 **OPTION**

Item	FUNCTION	INITIAL DATA	Performance for adjustment	EEP-ROM COPY DATA			
				545R	5415R	6215R	4715W
Byte 0	Option	00	Variable	08	68	68	69
Byte 1	Option	00	Variable	00	01	01	01
Item	FUNCTION	INITIAL DATA	Performance for adjustment	EEP-ROM COPY DATA			
				552W	5515W	652W	6515W
Byte 0	Option	00	Variable	89	E9	89	E9
Byte 1	Option	00	Variable	00	01	00	01

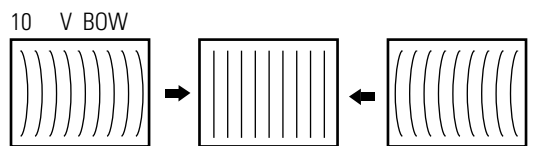
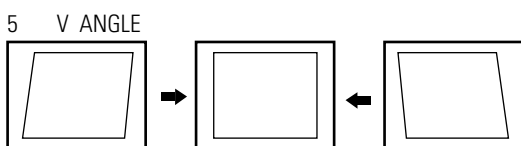
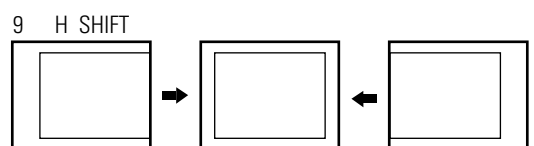
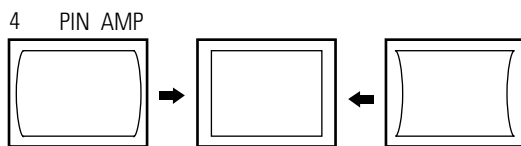
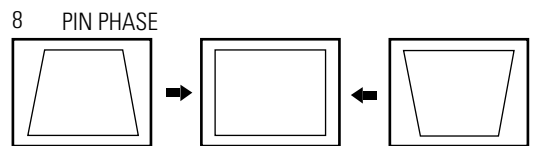
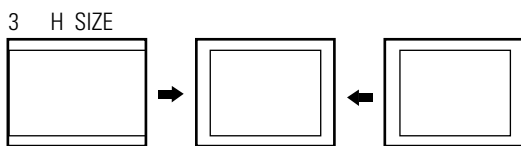
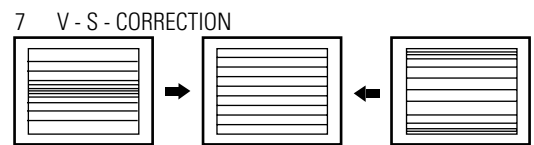
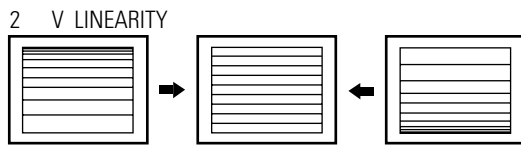
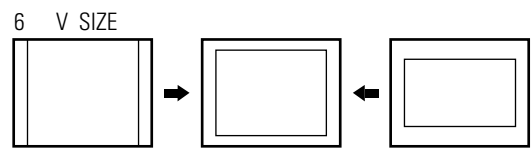
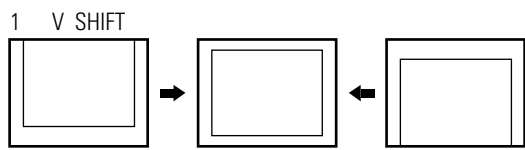
**Note 1** SZM-422A OPTION TABLE

Option adjustments should be done in service mode.

BYTE:00	FUNCTION	FUNCTION		BCD-Code	VALUE
		0	1		
D7	Functional DOOR	X	0	8	
D6	MSP	MSP3452G	MSP3450G	4	
D5	PIP	VPC3230	SDA9488	2	
D4	DOUBLE PIP	0 DOUBLE, LARGE, SMALL	X LARGE, SMALL	1	
D3	AUTO-CONVERGENCE	X	0	8	
D2	X	—	—	4	
D1	X	—	—	2	
D0	WIDE OPTION	4:3	16:9	1	

BYTE:01	FUNCTION	FUNCTION		BCD-Code	VALUE
		0	1		
D7	—	—	—	8	
D6	—	—	—	4	
D5	LNA	X	0	2	
D4	Caption	0	X	1	
D3	DTV 1080i ONLY	X	0	8	
D2	DTV 480P ONLY	X	0	4	
D1	HIGH DEVIATION	X	0	2	
D0	3D-COMB FILTER	UPD64082	VPC3230 built-in COMB	1	

### 4-3 Screen Change (When adjusting I<sup>2</sup>C Bus Geometric items)



## 4-4 Other Adjustments

---

### 4-4-1 Screen Adjustment

1. Warm up the TV for at least 30 minutes.
2. Turn to the Video Mode (No Signal) using a remote-control.
3. Connect an oscilloscope to RK,GK,BK.
4. Adjust the VR (VR501, VR531, VR561) screen so that RK, GK, BK pulse is 20Vp-p each. (Turn the R,G,B VR screen fully counterclockwise in the area of each flyback line.)
5. Select SBT by pressing the Volume +/- keys.
6. Adjust so that the 63 step on the right side of the screen is not seen (Use the Volume +/- keys).
7. Press the Menu key to exit.

### 4-4-2 White Balance Adjustment

1. Select the "STANDARD" video mode.
2. Input 100% white pattern.
3. In the stand-by mode, press the remote-control keys in the following sequence:  
Mute → 1 → 8 → 2 → Power ON
4. Warm up the TV for at least 30 minutes.
5. Input a 10-step signal.
6. R-cut off, B-cut off, and G-cut off by pressing the Volume +/- keys.
7. Adjust the low light with viewing the dark side of the screen.
8. Select R-drive, G-drive, and B-drive by pressing the Volume +/- keys.
9. Adjust the high light with viewing the light side of the screen.
10. If necessary, redo adjustments 6~9.
11. Press the Menu key to exit.

### 4-4-3 Sub-Brightness Adjustment

1. Input a sub-brightness adjustment signal. (TOSHIBA PATTERN)
2. In the stand-by mode, press the remote-control keys in the following sequence :  
Mute - 1 - 8 - 2 - Power ON

### 4-4-4 High Voltage (29KV) Check

#### PRECAUTION

1. Input a lion head pattern.
2. Select "STANDARD" video mode.
3. Warm up the TV for at least 10 minutes.
4. Use a 1000:1 probe.

#### ADJUSTMENT

1. Connect the (+) terminal of the 1000:1 probe to the high voltage distributor and the (-) terminal to GND (located on the deflection board).
2. Adjust RR471S (located on the deflection board) so that the digital meter indicates DC 29KV ± 0.1KV.

### 4-4-5 F.S. (Fail Safe) Adjustment

Note : The finished product has a well-mounted VR (RR402S).  
If necessary, do the F.S. adjustments in the following sequence.

1. Use a digital multimeter.
2. Connect the digital multimeter to the JIG pin (DZ482S) terminals
3. Adjust VR (RR402S) so that the voltage becomes 2.25V.
4. After the adjustments are complete, be sure to mount VR (RR402S) correctly.

### 4-4-6 F.S. (Fail Safe) Circuit Check

Note : The F.S. Circuit check must be performed after servicing.

1. Turn on the TV.
2. Select the "STANDARD" video mode.
3. Short F/S Test point (located on the SUB PCB). Then, both sound and picture disappear. (Note: Even if the shorted terminals are removed, both sound and picture do not appear. This proves the F.S. circuit is working. )
4. To restore both sound and picture, turn off the TV and reset it after about 30 seconds.

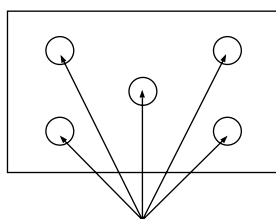
### 4-4-7 Static Focus Adjustment

#### PRECAUTION

1. Select the "STANDARD" video mode.
2. Input a crosshatch pattern.
3. Cover the lenses that are not being adjusted.
4. Connect a convergence jig and read data.
5. Adjust the lens for best focus. (See Fig. 4-1, next page)

#### STATIC FOCUS (CONTINUED)

Vary the focus pack VR (Red, Blue) on the front cabinet. Adjust the TV for best possible focus around the center of the crosshatch pattern, without losing overall screen balance. Figure Crosshatch Pattern Examine these points together.



Examine these points together

Fig. 4-1 Crosshatch Pattern.

### 4-4-8 Lens Focus Adjustment

#### PRECAUTIONS

1. Do this adjustment after the static focus adjustment and the tilt adjustment.
2. Select the "STANDARD" video mode. (Contrast:100, Brightness:50)
3. Input a crosshatch pattern.

#### ADJUSTMENT

1. Loosen the lens screws.
2. Cover the two lenses that are not being adjusted.
3. Adjust the lens, observing the color aberration vertically and horizontally within 3 blocks of the center of the crosshatch pattern.
4. When the lens is turned clockwise, the color aberration will change as follows:

Lens	Color Aberration Change
R	Orange - Crimson
G	Blue - Red
B	Purple - Green

5. Green lens adjustment:  
Set the lens at the point where Blue just changes to Red. If the color aberration is irregular throughout the picture screen, adjust the lens to show Red color aberration (approximately 1~3 mm area) within a 3-block grid around the horizontal center-line. If the color aberration is irregular, adjust the lens as shown in the diagram below. (Accurate alignment of Green is important for overall color quality.)
6. Red lens adjustment  
Set the Red lens at the point where Orange becomes Crimson.
7. Blue lens adjustment  
Set the Blue lens at the point where Purple becomes Green.

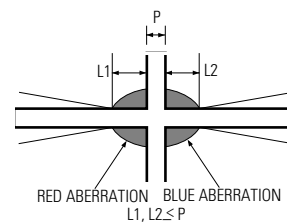


Fig. 4-2 Color Aberration

#### **4-4-9 Horizontal Dynamic Focus Adjustment**

##### PRECAUTION

1. Input a crosshatch pattern.
2. Select the "STANDARD" video mode.
3. Warm up the set for at least 10 minutes.

##### ADJUSTMENT

1. Cover the Red and Blue lenses.
2. Use a digital multimeter.
3. Connect the '+' terminal of digital multimeter to D-Focus and the '-' terminal to GND.
4. Adjust L434 located on the sub PCB so that the digital multimeter indicates  $AC690V \pm 20V_{p-p}$ .
5. Balance the left and right sides of the dynamic focus lines.

## 4-5 High Voltage Part

### 4-5-1 PWM REG Circuit

For the existing high voltage REG circuit (input voltage variation type), a dynamic REG response is not provided. So it is difficult for both beam linearity and uniformity in screen size to be maintained on the screen with rapidly changing beams.

A PWM (Pulse Width Modulation) type of high voltage, however, provides the maintenance of beam linearity and uniformity in screen size via a quick response to beam change by performing sync lock every 1H line, and detecting beam fluctuation at 1H line, and then controlling the IC current of high voltage output circuit.

#### 1. High Voltage Fluctuation Detect (DC Detect)

FBT pin 11 detects DC high voltage fluctuation. The detected DC high voltage value is input to PWM IC471 pin1 through R473, VR471, R471, and then it is input to a differential AMP circuit that differentiates the gap after comparing with the reference voltage input to pin2.

#### 2. High Voltage Fluctuation Detect (AC Detect)

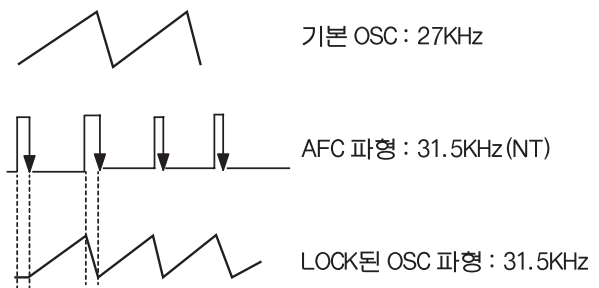
To check AC high voltage fluctuation, the output from FBT is detected by using a capacitor inside the high voltage distributor. The detection of AC high voltage fluctuation, a detection of dynamic beam current change is required in order to keep beam linearity and uniformity in size.

Regarding the capacitor, a capacity of less than 3000P should be applied to a PWM type. (The existing type needs a capacity of about 6000P.) AC detect circuit eliminates unnecessary high frequency by using C476, D472. Also, AC gain is limited to + / - 0.7V (D472). This AC gain is combined with the detection value of DC high voltage fluctuation by using C478.

#### 3. PWM IC OSC Sync Lock

A PWM type IC needs sync lock for PWM pulse and horizontal scan line.

The standard time constant of OSC circuit is determined by C487, R475 (PWM IC pins 5 and 6). And the standard OSC frequency is about 27 kHz. The horizontal frequency of scan line is 31.5kHz(NT), 3375kHz(DTV), 15.75kHz(Interface), so sync lock for this horizontal frequency should be performed using sync lock circuit. The sync lock circuit consists of Q481(Tr KSC815-Y), D479, D478, and C492. The input AFC signal is connected to PWM IC pin 5 through D479 so that it can be negative Trig.

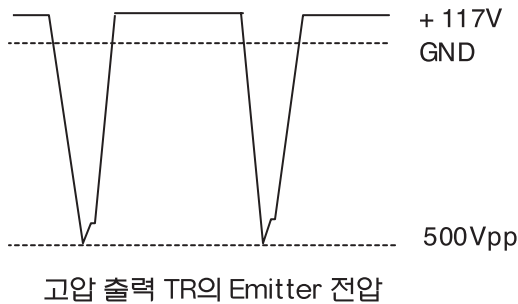


#### 4. Dead Time (HV Protect)

Dead Time (PWM IN pin4) consists of C481, delays high voltage for a certain time to soft start in power on, a x-ray protection circuit. The voltage of Dead Time is detected by FBT pin7 and through DC Feedback. The normal voltage of Dead Time is +27V. When high voltage increases, however, detected voltage is in proportion to high voltage. Then, the detected voltage is applied to ICR01S(TL431). If the voltage is over 2.5V (normal:about 2.25V), TL431 turns ON, the base port of QR401S becomes low, and then an emitter current flows. At this time, a high voltage protection point is set. When QR401S turns ON, high voltage is applied to PWM IC pin4 and then muted.

### 5. Output Circuit

The voltages, which are detected form an error detection circuit of PWM IC (Differential AMP) and Dead Time, each is applied to PWM comparator . Due to these detection coltages, Q1, Q2 (Output TR) parallel operate. Q482 (External TR), however, functions as a buffer; natches impedance between the output port of PWM IC and the final output TR(IRFS640). The PWM pulse (applied to the final output FET (IRFS640 GATE) varies the IC current of high voltage TR(Q473) by adjusting the load impedance of stavage Trans (T431). Due to this variation of current, the gain for Q473 emitter pulse changes T444(FBT)makes this emitter pulse became high voltage. Such change keeps both dynamic and static changes fixed. The output waveform of high voltage TR emitter is as shown in the figure below.



### 6. Parameters according to beam

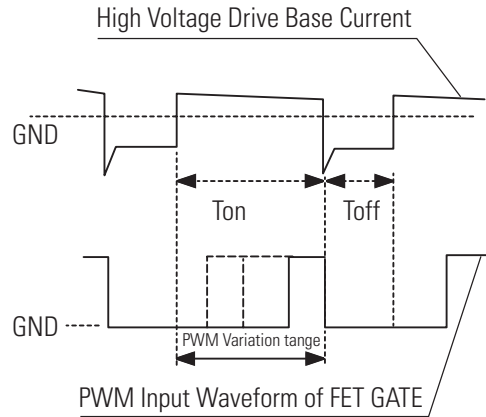
To maintain the set high voltage value (31kV), parmaters such as +Ve (DC), Vcp High Voltage change (See the table below).

Factor of high voltage change	Parameters			
	Width of FET Gate Pulse	+ Ve (DC)	Vcp	High Voltage
Beam ↓ (High voltage ↑)	↓	↑	↓	↓
Beam ↓ (High voltage ↑)	↑	↓	↑	↑

### 7. Response Waveform

To reduce unstable high voltage fluctuation, the existing high voltage type REG circuit controls dynamic fluctuation by using C-block capacitor. But, it can't detect actual dynamic fluctuation. Also, its velocity of response to static fluctuation is late because +B power supply changes per

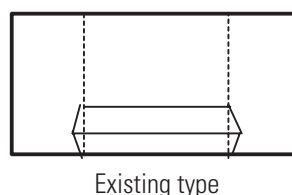
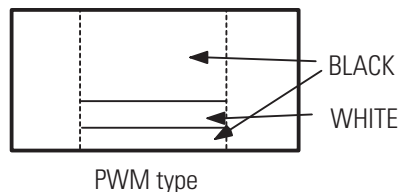
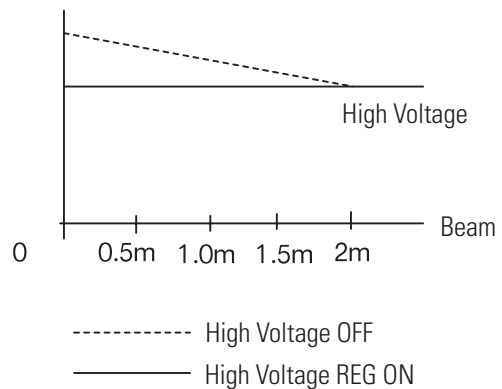
about 1V. A PWM modulation type REG detects static, dynamic high voltage fluctuation for only Ton Time (when the current of the output TR collector flows) each 1H, and modulates the width of PWM pulse. So, this PWM type has better improvement in the characteristic of high voltage REG as compared to the existing type.



### 8. Application Effects

- 1) Improvement of horizontal size fluctuation
- 2) Linearity improved
- 3) Embodiment of X-ray protection circuit

The figures below show characteristics when a PWM high voltage REG circuit is applied.



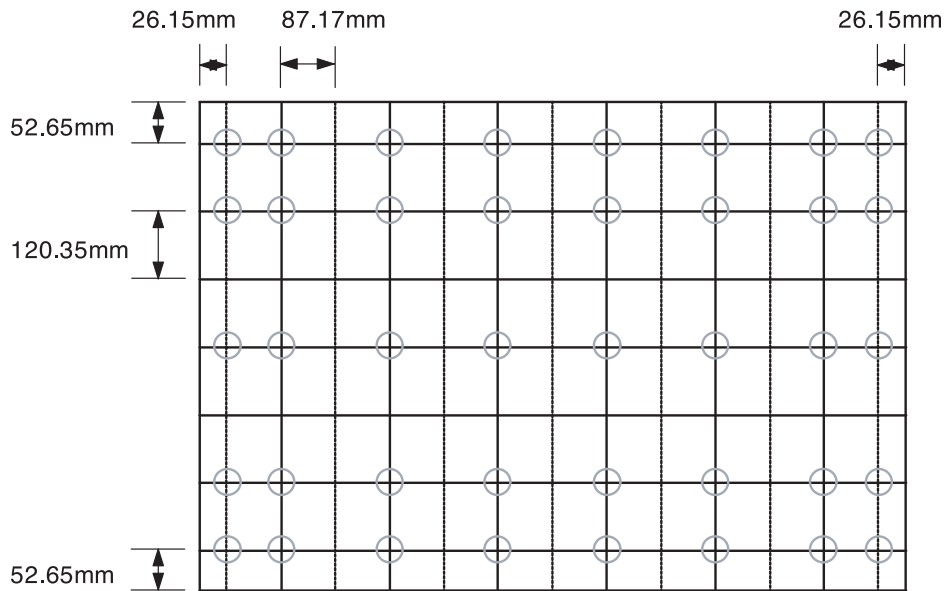
When a Toshiba Pattern is received, the screen is displayed as shown in figure side



## 4-6 Screen-Jig

### 4-6-1 PCL545R/PCL5415R(NORMAL MODE)

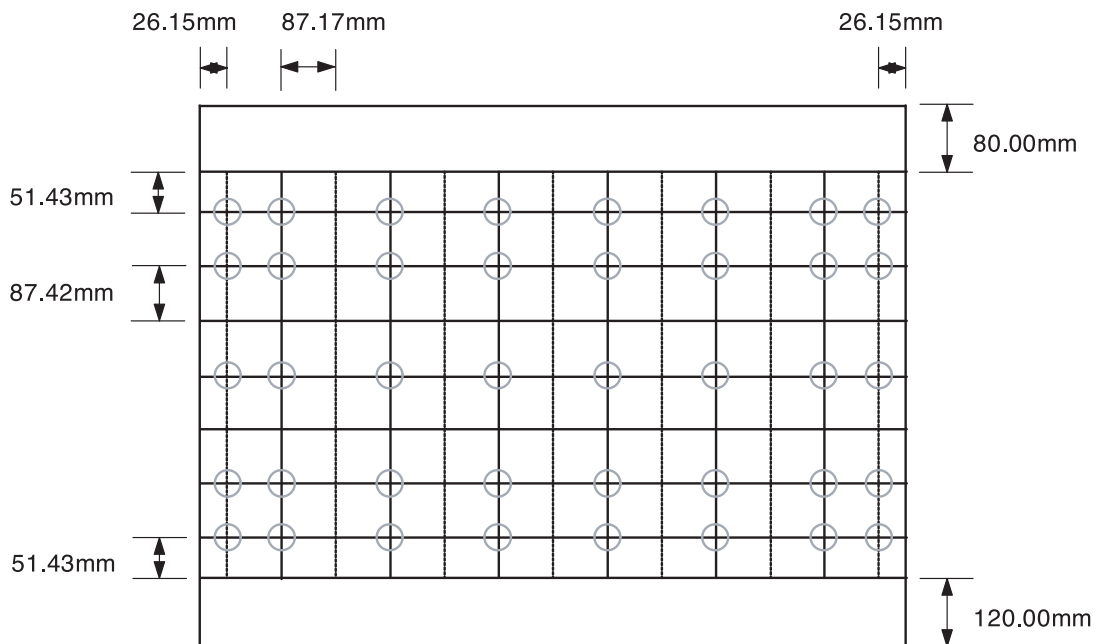
Screen Size : X 1098.4, Y 827.4 (X:378=9\*2+ 30\*12, Y:440=28\*2+ 64\*6)



Note: "O" Cursor Point

### 4-6-2 PCL545R/PCL5415R(DTV MODE)

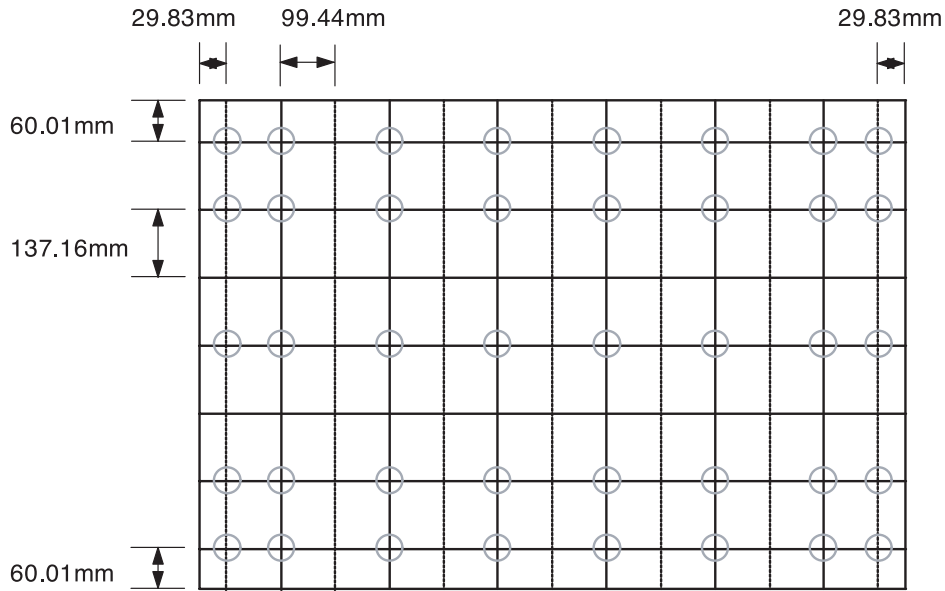
Screen Size : X 1098.4, Y 627.4(X:378=9\*2+ 30\*12, Y:488=40\*2+ 68\*6)



Note: "O" Cursor Point

### 4-6-3 PCL6215R(NORMAL MODE)

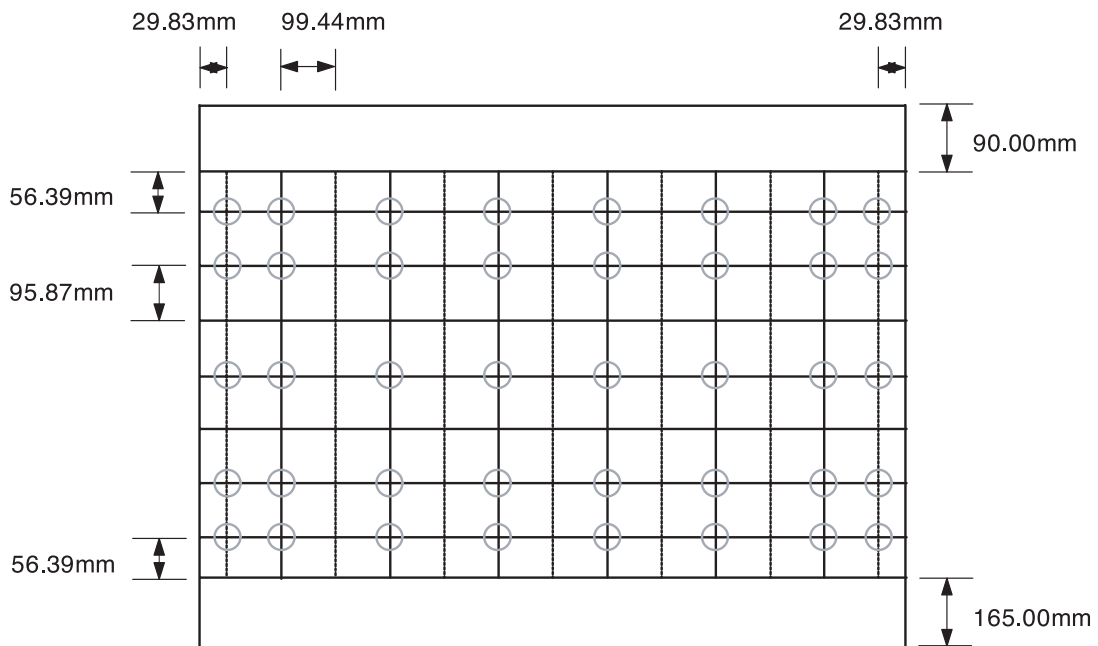
Screen Size : X 1253, Y 943 (X:378=9\*2+ 30\*12, Y:440=28\*2+ 64\*6)



Note: "O" Cursor Point

### 4-6-4 PCL6215R(DTV MODE)

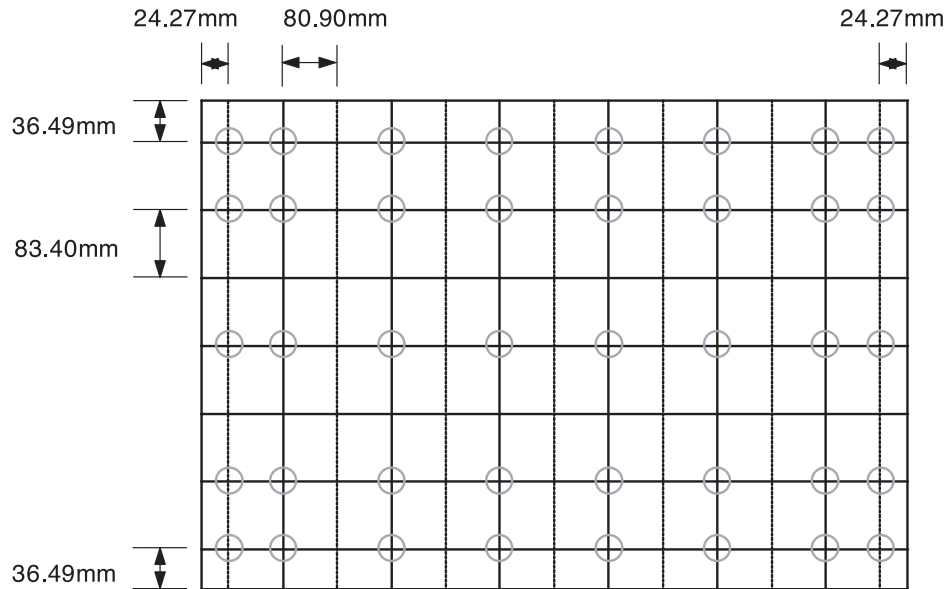
Screen Size : X 1253, Y 688+ 90+ 165(X:378=9\*2+ 30\*12, Y:488=40\*2+ 68\*6)



Note: "O" Cursor Point

#### 4-6-5 472W/4715W (NORMAL MODE)

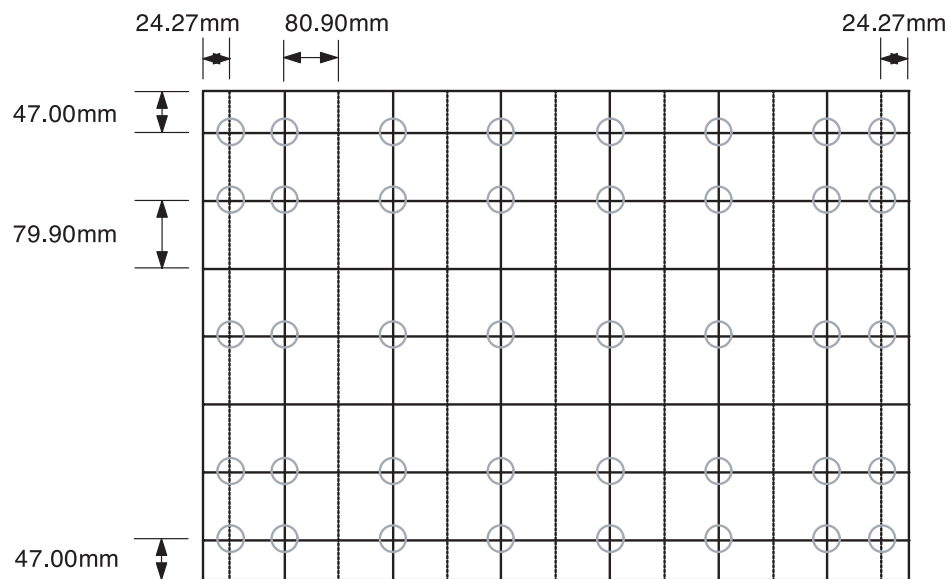
Screen Size : X 1019.4 Y 573.4(X:378=9\*2+ 30\*12, Y:440=28\*2+ 64\*6)



Note: "O" Cursor Point

#### 4-6-6 472W/4715W (DTV MODE)

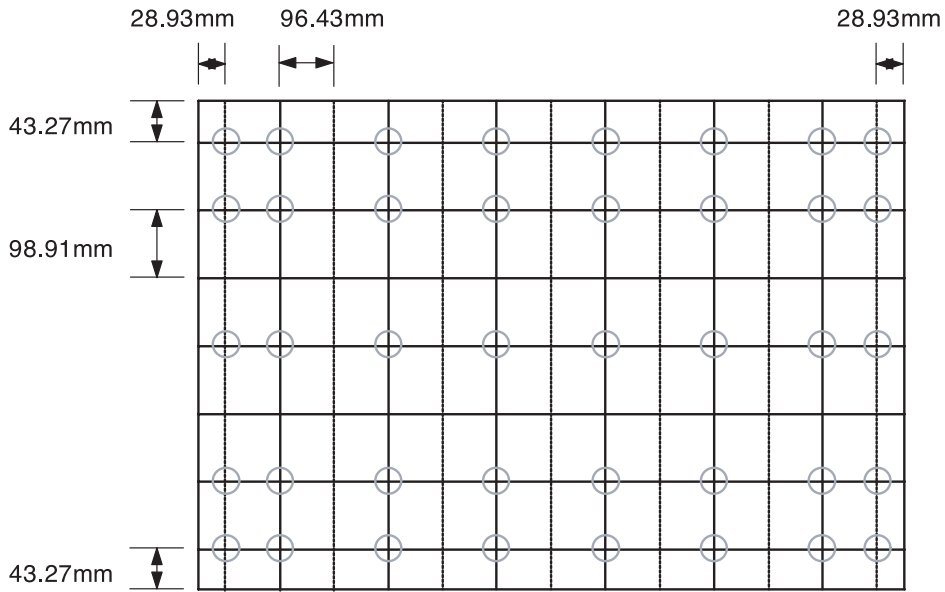
Screen Size : X 1019.4 Y 573.4 (X:378=9\*2+ 30\*12, Y:488=40\*2+ 68\*6)



Note: "O" Cursor Point

### 4-6-7 552W/5515W(NORMLA MODE)

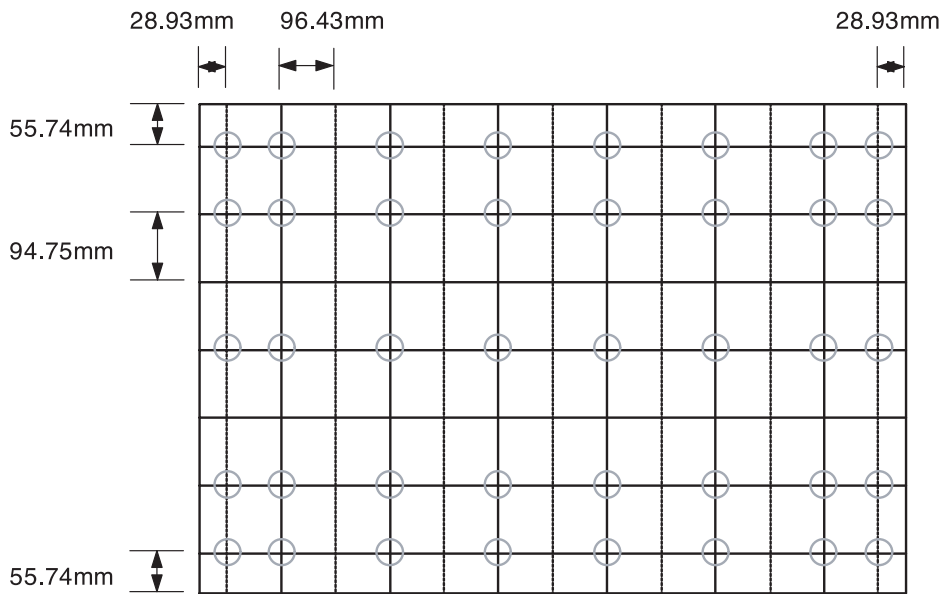
Screen Size : X 1215, Y 680 (X:378=9\*2+ 30\*12, Y:440=28\*2+ 64\*6)



Note: "O" Cursor Point

### 4-6-8 552W/5515W(DTV MODE)

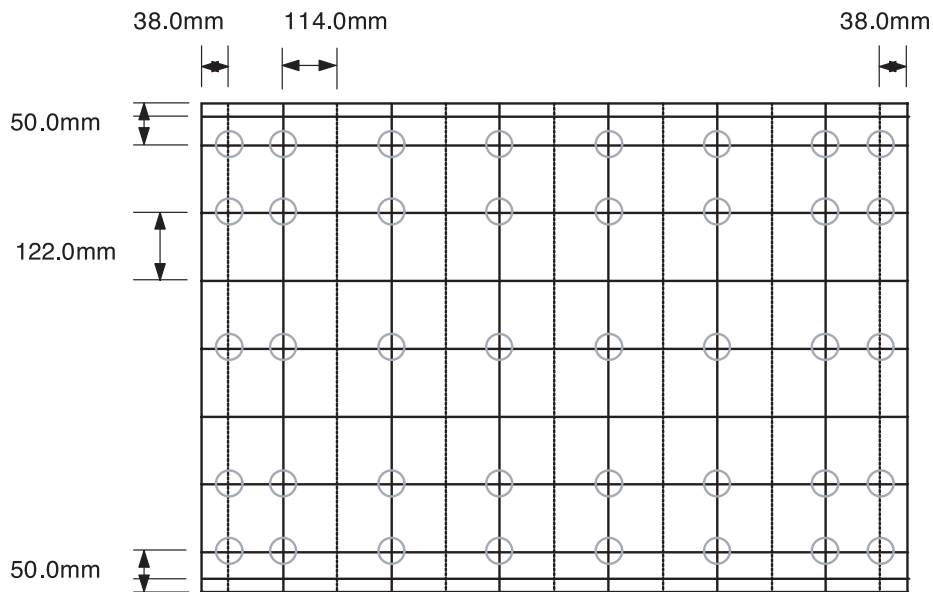
Screen Size : X 1215, Y 680 (X:378=9\*2+ 30\*12, Y:488=40\*2+ 68\*6)



Note: "O" Cursor Point

**4-6-9 652W/6515R(NORMAL MODE)**

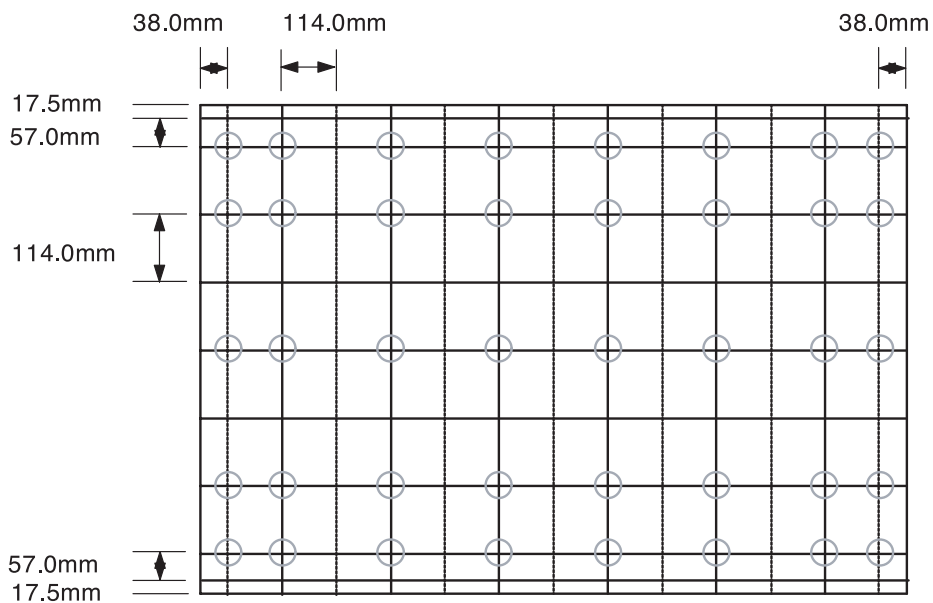
Screen Size : X 1444, Y 832 (X:378=9\*2+ 30\*12, Y:440=28\*2+ 64\*6)



Note: "O" Cursor Point

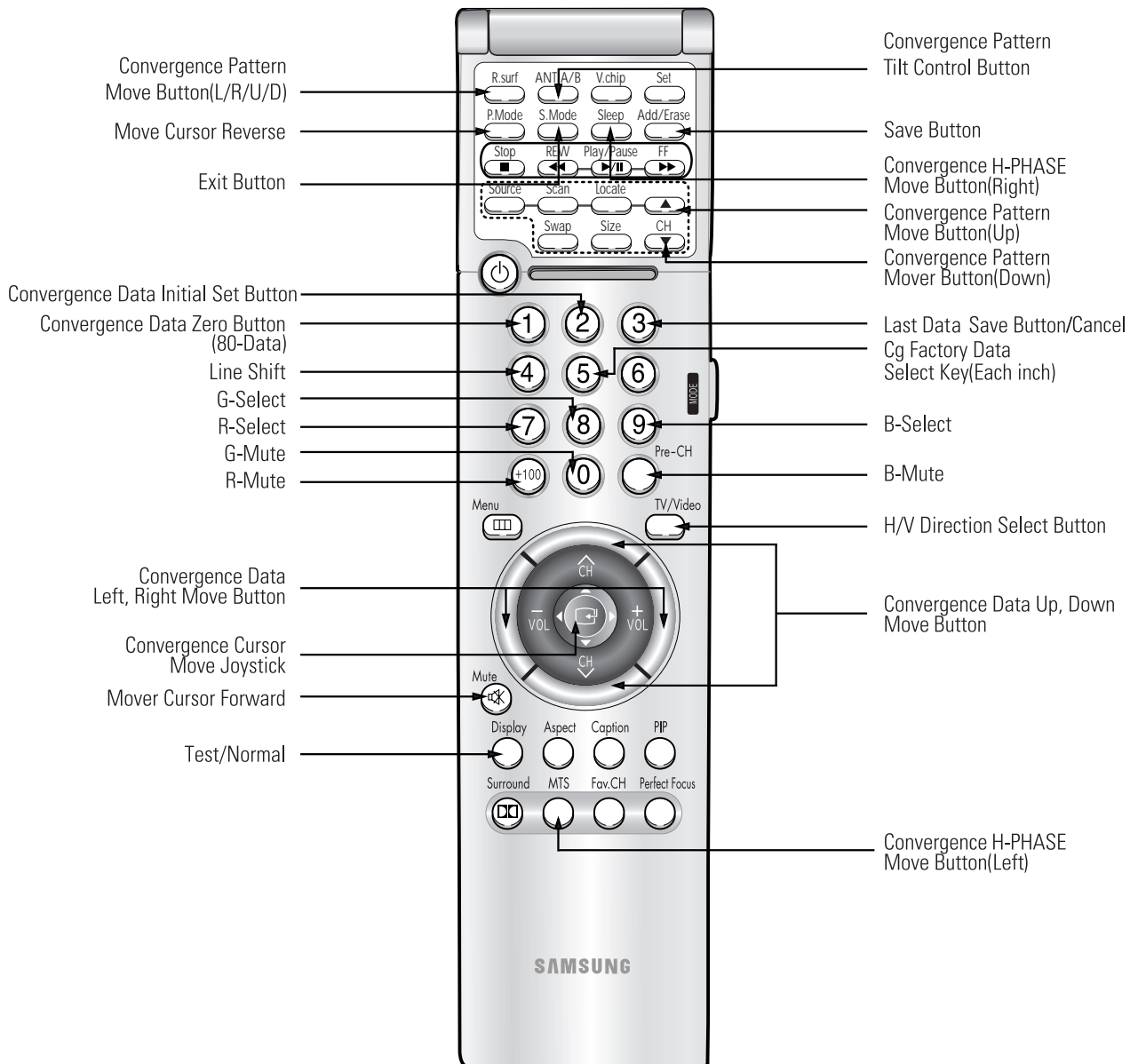
**4-6-10 652W/6515R(DTV MODE)**

Screen Size : X 1444, Y 832 (X:378=9\*2+ 30\*12, Y:488=40\*2+ 68\*6)












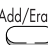




Note: "O" Cursor Point


## 4-7 Remote Control for Servicing (Convergence Mode)



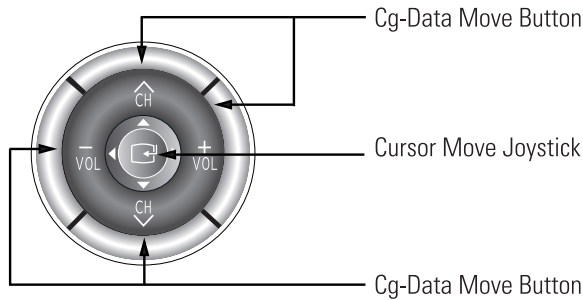
### 4-7-1 KEY Function

1. R-SELECT    
 Press to select RED color.
2. G-SELECT    
 Press to select GREEN color.
3. B-SELECT    
 Press to select BLUE color.
4. R-MUTE    
 Press to mute RED color.
5. G-MUTE    
 Press to mute GREEN color.
6. B-MUTE    
 Press to mute BLUE color.
7. CANCEL KEY    
 Press to revert to the previous data during the Convergence Adjustment.
8. TEST/NORMAL    
 Press to check TV mode in the Convergence Mode.
9. LINE SHIFT    
 Press to move a line up/down or left/right.
10. FACTORY DATA SELECT BUTTON    
 Press to call the factory default values.
11. H/V DIRECTION SELECT BUTTON    
 Press to switch the cursor direction horizontally or vertically.
12. SAVE BUTTON    
 After the Convergence Adjustments are completed, press to save data.
13. EXIT BUTTON    
 After the Convergence adjustments are completed, press to exit to TV mode.

14. MOVE CURSOR FORWARD   
 Press to move the cursor right or down.

15. MOVE CURSOR REVERSE   
 Press to move the cursor left or up.

16. CONVERGENCE PICTURE MOVE BUTTON



17. CONVERGENCE MOVE BUTTON  
 Press to move the convergence left (  ) or right (  ).

18. CONVERGENCE DATA ZERO BUTTON ①  
 Press to zero the convergence correction data.

19. INITIAL DATA SET BUTTON ②

**Changes when applying Almighty-Cg. Module (How to extract the basic Cg Data)**

Inch (Type)	Model Name	Basic Data	Screen Display	Discription
	Representative Model	Number after entering the Cg-Mode		
54" (54J9)	PCL545R/ PCL5415R	5-545 (Press in regular order)	+++++	White Cross on the background (white cross)
62" (62J9)	PCL6215R	5-625 (Press in regular order)	+++++	
55" (552W)	HCL552W/ 5515W	5-552 (Press in regular order)	○○○○○	White Oval on the background (white border)
65" (652W)	HCL652W/ 6515W	5-652 (Press in regular order)	○○○○○	White Oval on the background (white border)
47" (472W)	HCL472W/ 4715W	5-473 (Press in regular order)	□□□□	White Square on the backgrand (white border )

20. Move Convergence Pattern P54A Service Manual   
 After pressing the R.surf button, use the Channel Up/Down and Volume +/- buttons to move the Convergence Pattern up/down/left/right.

21. Convergence Pattern Tilt Control Button   
 After pressing the ANT A/B button, use the Channel Up/Down and Volume +/- buttons to create a tilt to the Convergence Pattern.

**NOTE** Note : Use the following two buttons only when they are indispensable.



## 4-8 Convergence Adjustment

### 4-8-1 Convergence Adjustment)



#### Special Notes

- / A sensor is attached on the center of each side of the Convergence Mode pattern (see figure below). The sensors are required for normal Perfect Focus function.
- / Use a screen jig to do the convergence adjustments correctly (Especially, perform correct convergence adjustments on the center of each side where a sensor is located.)
- / Do the convergence adjustments correctly. Otherwise, any Perfect Focus error can happen.


1. Warm up the TV for a least 30 minutes.
2. Input an NTSC Signal.(Use an antenna or AV source.)

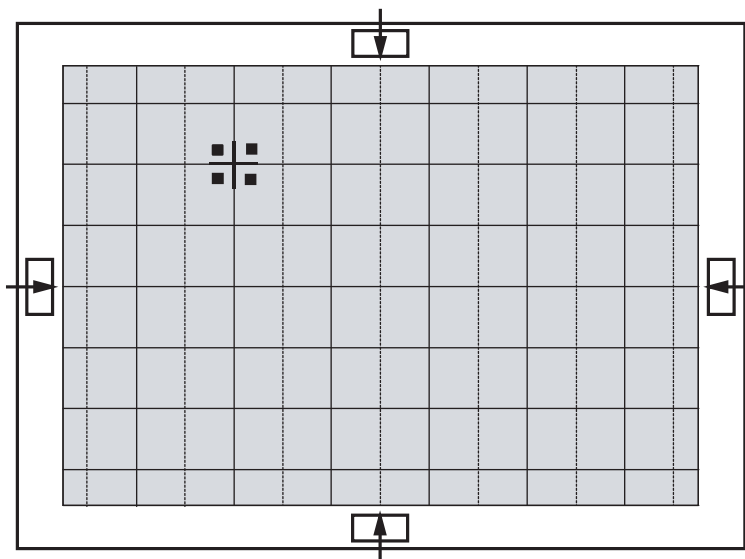





Make sure that deflection yoke are properly adjusted so that the center of Green, Red, Blue pattern is aligned on the center of screen jig.

3. Enter the Convergence Mode by Pressing the remote control keys in the following sequence:




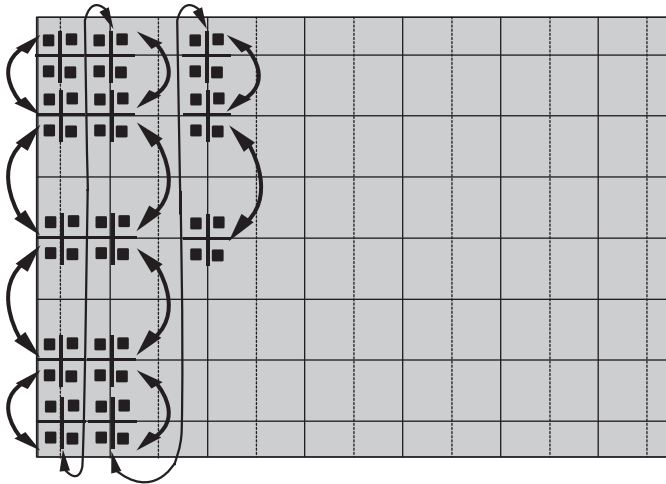
If OSD displayed as shown in figure below, press the  key to exit. Then, redo step 3 to enter the Convergence Mode. After entering the Convergence Mode, Stand by for about five seconds before doing the adjustments.






4. To adjust GREEN, first press the  and the  keys, and then press the  key.

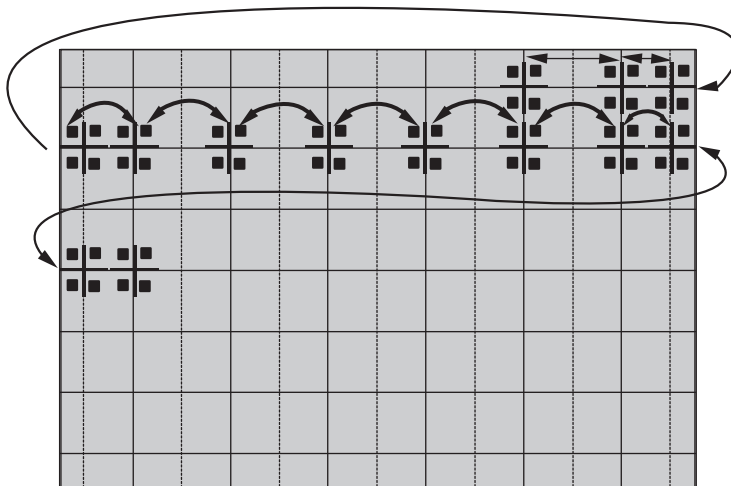


5. The  key moves the cursor horizontally or vertically.

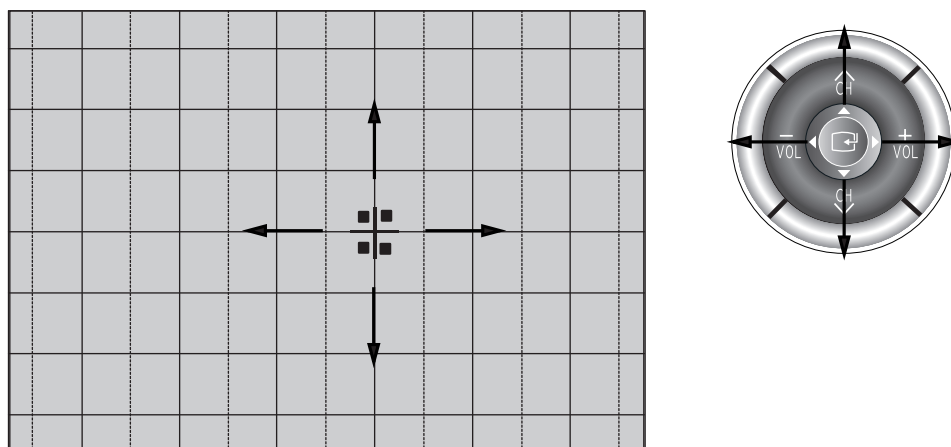


When the  key is pressed once again, the cursor moves horizontally.

6. The  key moves the cursor right, and the  key moves the cursor left.

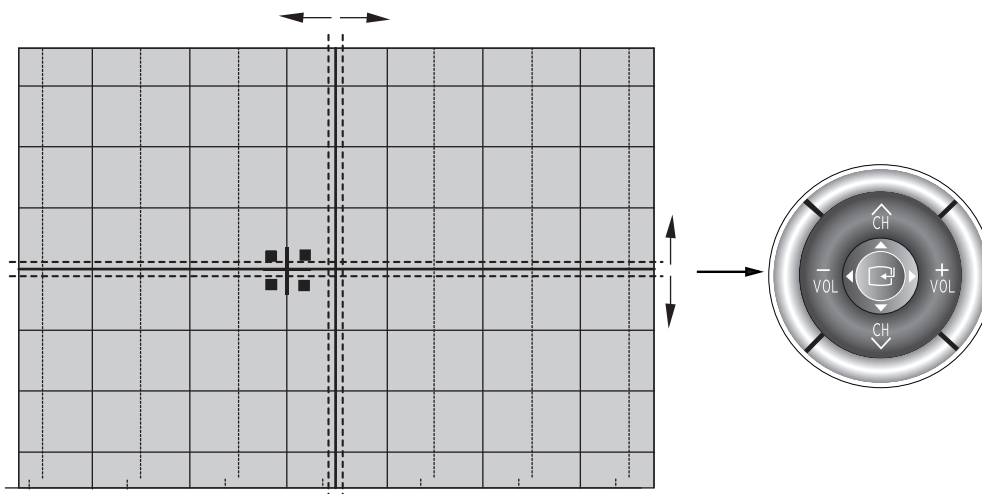


7. New Adjustment






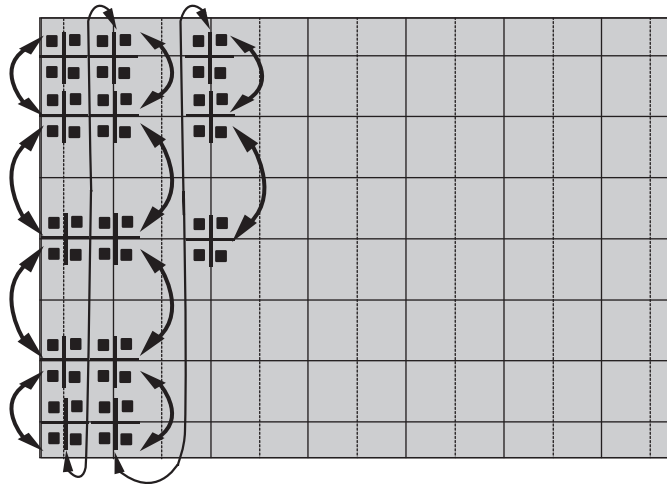
**NOTE** Use the joystick on the remote control (type: TM63) to move the cursor. Move the joystick left/right/up/down to move the cursor left/right/up/down.


8. Use the **4** key for overall balance.






9. After the Line Shift is cancelled by pressing the **4** key, use the Channel and Volume keys (Up/Down) to make big adjustments.

10. After the green convergence adjustments are completed, press the  key to save the data.
11. Superimpose the Red and Green colors by pressing the  and the  keys.
12. To adjust RED, redo steps 5~8.



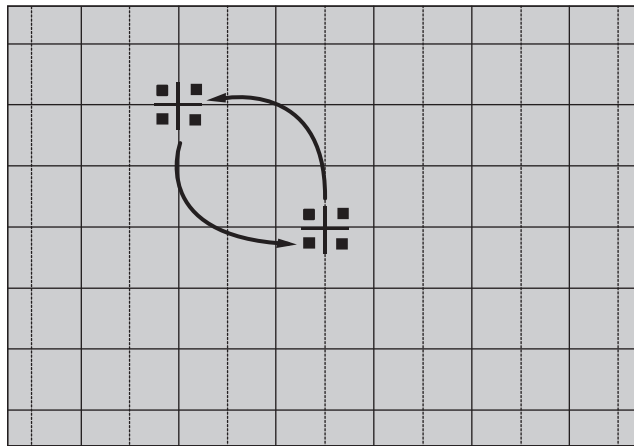
When the cursor moves vertically 

13. To superimpose the blue and green colors, press (1) the  key for R-Mute, (2) the  key to cancel the B-Mute, and (3) the  key for B-select.
14. To adjust BLUE, redo steps 5 ~ 8, 12.
15. If any color is not properly adjusted when displaying the red, blue and green colors, readjust the color.

16. After the color adjustments are completed, press the <sup>Add/Erase</sup> ( ) key to save the data.

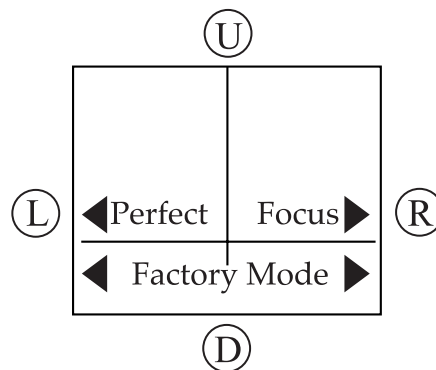
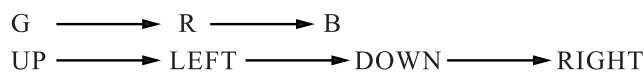


The cursor moves to center, and then automatically moves up and to the left about five seconds later.



#### 4-8-2 Perfect Focus (Factory Mode)


1. After the adjustment is completely saved, press the Perfect Focus key to perform Auto Convergence(Factory Mode). Auto Convergence is performed in the following sequences:



When Auto Convergence is complete, the data is automatically saved and the convergence pattern reverts.



- ◆ After Factory Auto Convergence is complete, make sure that the cursor flickers for about 1 second on the center and then it is saved.
- ◆ Check the presence of error through the flicker of the cursor.
- ◆ When any error happens, be sure to re-do Factory Auto Convergence.
- ◆ When Convergence Adjustment is not normally done or the convergence center is misaligned with the sensing point, any adjustment error happens. Therefore, be sure to use a screen jig to correctly adjust during troubleshooting.

- 2 . After the Convergence Adjustments are completed, press the  key to exit.
- 3 . DTV Convergence Adjustment must be done same as the above Normal Mode Convergence Adjustment (Use a 16:9 screen jig for DTV)
- 4 . After DTV Convergence Adjustment is complete, do the following items for normal operation of Perfect Focus.
  - ① Select a DTV mode (Pattern: Lion Head Pattern)
  - ② Enter the Factory Mode to change OFS 0 → 1
  - ③ Move the mode geometrically in V-Size increased.
  - ④ Adjust VSO/VAO/VLO to change the value of V-Size/V-Shift offset.  
(Vertical Size: 2.5~2:2.5~2/Horizontal Size: 5:5)
  - ⑤ Re-change the OFS after all the adjustments are complete.  
( OFS 1 → 0)
  - ⑥ Exit the Factory Mode.
  - ⑦ Enter the Convergence Adjustment Mode.
  - ⑧ Press the Perfect Focus key.  
(OSD: "Factory Mode")
  - ⑨ If nothing is abnormal, then exit from the Convergence Adjustment Mode.
  - ⑩ Re-do Perfect Focus in User Mode.  
(OSD: "Mode ON")
  - ⑪ If no error happens, complete Perfect Focus.

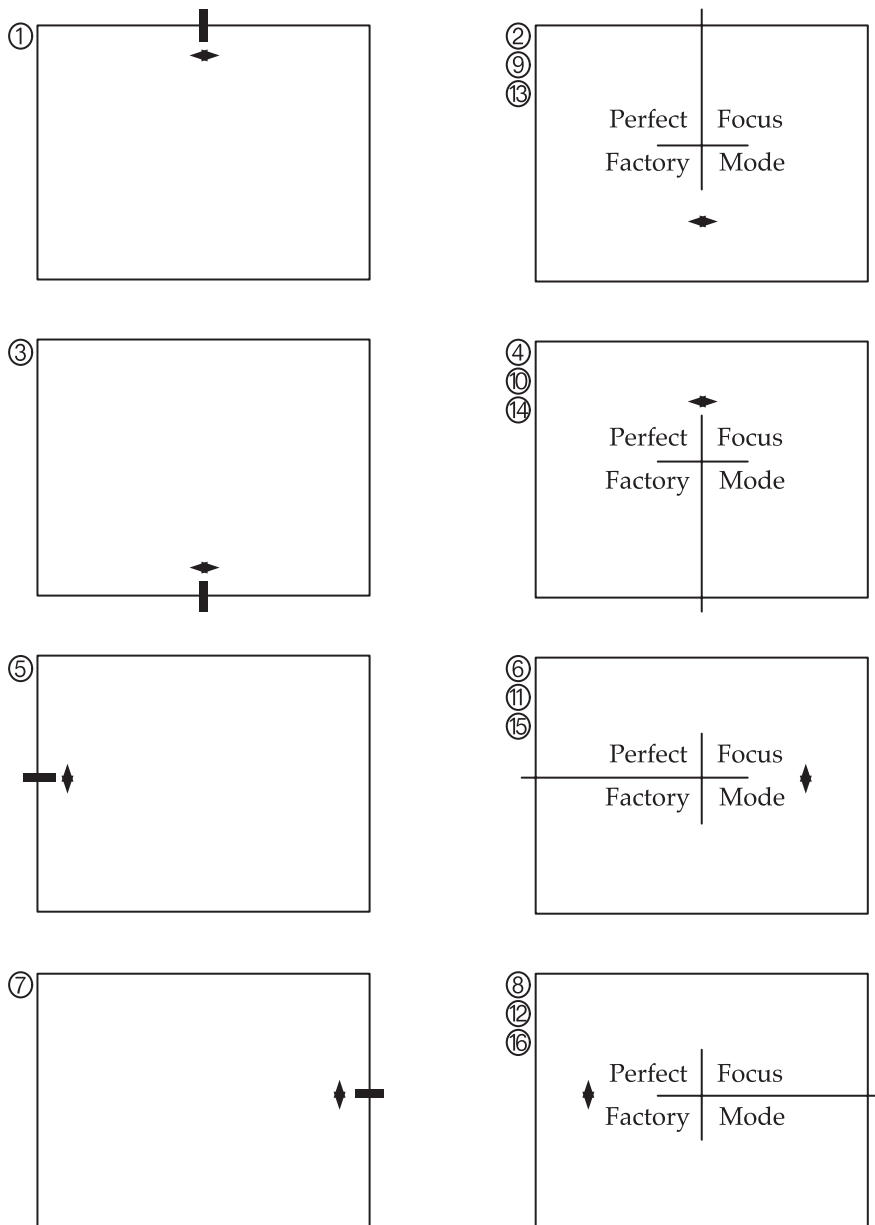


When Convergence Adjustment is not normally done or the convergence center is misaligned with the sensing point, any adjustment error happens. Therefore, be sure to use a screen jig to correctly adjust during troubleshooting.

### 4-8-3 Perfect Focus (User Mode)

1. Press the Perfect Focus button on the remote control or select Convergence from the menu.
2. Press the Menu button to exit (Available in only User mode).

◆ Note : After adjustments 1~16 for each of R,G,B are complete, if the cursor flickers for a while at the center of screen while the figure of adjustment 8 is displayed, it means normal operation of Perfect Focus has been complete.



#### 4-8-4 In / Out Voltage For Each Pin

	VCC	GND	CONVST	SCL	SDA	SIGNAL IN/OUT
MAX	+5V	0V	+5V	+5V	+5V	+5V
MIN	+5V	0V	0V	0V	0V	0V

#### 4-8-5 Communication With Main Micom

D3	D2	D1	MODE	DIRECTION
0	1	0	AUTO Megnetic Field Standby Mode	MAIN → Cg
1	1	1	AUTO Megnetic Field Mode	MAIN → Cg
0	0	N/A	AUTO Megnetic Field Ends	Cg → MAIN
0	1	N/A	R DISPLAY	Cg → MAIN
1	0	N/A	B DISPLAY	Cg → MAIN
1	1	N/A	G DISPLAY	Cg → MAIN
N/A	N/A	0	AUTO Megnetic Field End Key In Entered	MAIN → Cg

◆ **NOTE : Main Micom operates within 50ms after a command is transmitted from Cg Micom.**



## 4-9 MICOM and Pins Voltage

### 4-9-1 Pin Layout(Progressive)

POWER	1	<b>Z 9 0 3 7 1 1 6 P S C</b>	52	D2
IR-IN	2		51	POWER2/1080i
V-MUTE	3		50	BUS-STOP
2RF-S	4		49	HOLD
S-CONT0	5		48	RXD
S-CONT1	6		47	V-TXD
DVD-IDENT	7		46	TIMER-LED
DTV-IDENT	8		45	S/W-MUTE
PROTECT	9		44	D1
1H-SYNC	10		43	AMP-MUTE
IND1	11		42	MODE SEL
IND2	12		41	S-RESET
CVBS	13		40	XTAL GND
LOOP FILTER	14		39	VCC
ANALOG GND	15		38	GND
SUB-AFT	16		37	XTAL2
KEY1	17		36	XTAL1
MAIN-AFT	18		35	/RESET
KEY2	19		34	N.C
KEY3	20		33	N.C
ANALOG GND	21		32	D3
ANALOG VCC	22		31	SCL-1
HALF TONE	23		30	SDA-1
OSD B	24		29	VSYNC
OSD G	25		28	HSYNC
OSD R	26		27	BLANK

**4-9-2 MICOM Pins(Progressive)**

PIN NO.	ITEM	FUNCTION	OUT VOLT
1	POWER	POWER ON/OFF RELAY CONTROL	L --> H
2	IR IN	REMOCON INPUT	5V
3	V-MUTE	VIDEO SIGNAL MUTE	3V
4	2RF-S	2RF-SWITCHING	5V
5	S-CONTO	SOUND MODE SELECT	5V
6	S-CONT1	SOUND MODE SELECT	5V
7	DVD-IDENT	DVD-IDENT	5V
8	DTV-IDENT	DTV-IDENT	-
9	PROTECT	PROTECT PORT	-
10	1H-SYNC	NORMAL H,V-SYNC	3.5V
11	IND1	CLOCK BUS LINE	4.5V
12	IND2	DATA BUS LINE	4.5V
13	CVBS	CVBS	1.7V
14	LOOP FILTER	LOOP FILTER	1.9V
15	ANALOG GND	GND	GND
16	SUB-AFT	SUB AUTO FINE TUNING CONTROL	2.64V
17	KEY 1	KEY SCAN 1	4.84V
18	MAIN-AFT	MAIN TUNER AFT	1.9V
19	KEY 2	KEY SCAN 2	-
20	KEY 3	KEY SCAN 3	-
21	ANALOG GND	GND	-
22	ANALOG VCC	VCC	5V
23	HALF TONE	SIGNAL FOR OSC-FREQUENCY OSD CONTROL	-
24	OSD B	ON SCREEN DISPLAY BLUE OUTPUT	-
25	OSD G	ON SCREEN DISPLAY GREEN OUTPUT	-
26	OSD R	ON SCREEN DISPLAY RED OUTPUT	-

PIN NO.	ITEM	FUNCTION	OUT VOLT
27	BLANK	BLAKING SIGNAL OUTPUT	-
28	HSYNC	HORIZONTAL SYNC INPUT	-
29	VSYNC	VERTICAL SYNC INPUT	-
30	SDA-1	DATA BUS LINE	4.5V
31	SCL-1	CLOCK BUS LINE	4.12V
32	D3	CONVERGENCE D3	-
33	N.C	N.C	-
34	N.C	N.C	-
35	/RESET	RESET	4.74V
36	XTAL1	XTAL 1	1.72V
37	XTAL2	XTAL 2	2.2V
38	GND	GND	-
39	VCC	VCC	5V
40	XTAL GND	GND	-
41	S-RESET	SOUND RESET	-
42	MODE SELECT	DVD MODE SELECT(480i/480p)	5V
43	AMP-MUTE	MAIN AMP MUTE	-
44	D1	CONVERGENCE D1	-
45	S/W-MUTE	SWITCH MUTE (NOT USED)	-
46	TIMER-LED	TIMER LED	4.7V
47	V-TXD	-	4.6V
48	RXD	-	4.6V
49	HOLD	HOLD	4.65V
50	BUS-STOP	I <sup>2</sup> C BUS STOP	5V
51	POWER2/1080i	1080i RELAY CONTROL	4.65V
52	D2	CONVERGENCE D2	-

**4-9-3 Proscan Module (Progressive)**

PIN NO.	ITEM	FUNCTION	OUT VOLT
1	SCP		-
2	EW	EAST WEST OUT	2.2V
3	V-BLK	V-BLANKING	-
4	ABL	ABL INPUT	2.15V
5	AD-	VERTICAL DRIVE(-VOLTAGE)	2.95V
6	AD+	VERTICAL DRIVE(+VOLTAGE)	2.90V
7	H-BLK	H-BLANKING INPUT	-
8	HD	H-DRIVE OUT	1.6V
9	GND	GND	GND
10	PIP-RF		-
11	PIP-C		-
12	PIP-V/Y		-
13	GND	GND	GND
14	CVBS-Y		-
15	CHR	CHROMA	-
16	GND	GND	GND
17	Pr/R	Pr/R INPUT	2.0V
18	Y/G	Y/G INPUT	2.0V
19	Pb/B	Pb/B INPUT	2.0V
20	FB	FAST BLANKING INPUT	0.25V
21	GND	GND	-
22	HC	5V INPUT	-
23	VS1	VS1 INPUT	-
24	GND	GND	-
25	SDA	SERIAL DATA LINE	4.7V
26	SCL	SERIAL CLOCK LINE	4.8V
27	5V	5V	5V
28	27M	OPTION	-
29	GND	GND	GND
30	5V-	5V-	5V-

PIN NO.	ITEM	FUNCTION	OUT VOLT
31	H-OUT	HORIZONTAL-OUT	N.C
32	V-OUT	VERTICAL-OUT	N.C
33	GND	GND GND	
34	R-OUT	R-OUT	-
35	G-OUT	G-OUT	-
36	B-OUT	B-OUT	-
37	GND	GND	GND
38	IK	IK OUT	3.65V
39	GND	SPOT OUT	-
40	GND	GND	GND
41	VM-Y	VM-Y OUT	5.42V
42	YD	N.C	-
43	GND	GND	GND
44	CG-SYND	CG-SYNC INPUT	-
45	CG-B	CG-B INPUT	-
46	CG-G	CG-G INPUT	-
47	CG-R	CG-R INPUT	-
48	GND	GND	GND
49	PC-R	N.C	-
50	PC-G	N.C	-
51	PC-B	N.C	-
52	PC-H	GND	GND
53	PC-V	OSD-R INPUT	-
54	GND	OSD-G INPUT	-
55	OSD-R	OSD-B INPUT	-
56	OSD-G	BLANK(MICOM OUT)	-
57	OSD-B	HALF TONE INPUT	-
58	YS/YM	VIDEO MUTE (V-CHIP ON)	4.72V
59	YS/YM	GND	GND
60	GND	9V	9V

PIN NO.	ITEM	FUNCTION	OUT VOLT
61	9V	D-Pr INPUT	-
62	HD-Pr	D-Y INPUT	-
63	HD-Y	D-Pb INPUT	-
64	HD-Pb	N.C	-

**4-9-4 3D/COMB Module**

PIN NO.	ITEM	FUNCTION	OUT VOLT
1	VIDEO	MAIN VIDEO INPUT	2.74V
2	GND	GND	GND
3	9V	9V INPUT	9V
4	GND	GND	GND
5	SCL	SERIAL CLOCK LINE	4.1V
6	SDA	SERIAL DATA LINE	4.1V
7	V-3D	COPY GUARD REJECT SIGNAL	3.8V
8	5V	5V INPUT	5V
9	Y-OUT	MAIN Y OUT	-
10	GND	GND	GND
11	C-OUT	MAIN C OUT	-
12	GND	GND	GND

**4-9-5 Sound Module**

PIN NO.	ITEM	FUNCTION	OUT VOLT
1	GND	GND	GND
2	GND	GND	GND
3	GND	GND	GND
4	S-RESET	SOUND RESET	-
5	MAIN-L	MAIN LEFT OUT	-
6	GND	GND	GND
7	GND	GND	GND
8	5V	5V	5V
9	MAIN-R	MAIN RIGHT OUT	-
10	GND	GND	GND
11	GND	GND	GND
12	GND	GND	GND
13	8V	8V	8V
14	SCL-1	SERIAL CLOCK LINE	-
15	GND	GND	GND
16	SDA-1	SERIAL DATA LINE	-
17	CENTER	CENTER OUT	-
18	GND	GND	GND
19	GND	GNAD	GND
20	12V	12V	12V
21	SURROUND	SURROUND OUT	-
22	GND	GND	GND
23	GND	GND	GND
24	S-F1	S-F1(ANT1)	-
25	GND	GND	GND
26	GND	GND	GND
27	AV4-L-IN	AV4 LEFT INPUT	-
28	A-MONO-IN	A-MONO INPUT	-
29	GND	GND	GND
30	GND	GND	GND



PIN NO.	ITEM	FUNCTION	OUT VOLT
31	AV4-R-IN	AV4 RIGHT INPUT	-
32	S-F2	S-F2(ANT2)	-
33	GND	GND	GND
34	GND	GND	GND
35	GND	GND	GND
36	GND	GND	GND
37	EXT-L-IN	EXTERNAL LEFT INPUT	-
38	H-PHONE-L	HEADPHONE LEFT OUT	-
39	GND	GND	GND
40	GND	GND	GND
41	EXT-R-IN	EXTERNAL RIGHT INPUT	-
42	H-PHONE-R	HEADPHONE RIGHT OUT	-
43	GND	GND	GND
44	GND	GND	GND
45	GND	GND	GND
46	GND	GND	GND
47	AV2-L-IN	AV2 LEFT INPUT	-
48	MONITOR-L	MONITOR OUT	-
49	GND	GND	GND
50	GND	GND	GND
51	AV2-R-IN	AV2 RIGHT INPUT	-
52	MONITOR-R	MONITOR OUT	-
53	GND	GND	GND
54	GND	GND	GND
55	GND	GND	GND
56	GND	GND	GND
57	AV1-L-IN	AV1 LEFT INPUT	-
58	AV1-L-OUT	AV1 LEFT OUTPUT	-
59	GND	GND	GND
60	GND	GND	GND

PIN NO.	ITEM	FUNCTION	OUT VOLT
61	AV1-R-IN	AV1 RIGHT INPUT	-
62	AV1-R-OUT	AV1 RIGHT OUT	-
63	GND	GND	GND
64	GND	GND	GND

**4-9-6 Caption Module**

PIN NO.	ITEM	FUNCTION	OUT VOLT
1	C-OUT	MAIN C-OUT	-
2	C-IN	MAIN C-IN	-
3	OSD-F/B	OSD-F/B IN	-
4	OSD-B	OSD-B IN	-
5	OSD-G	OSD-G IN	-
6	OSD-R	OSD-R IN	-
7	H-SYNC	H-SYNC	-
8	GND	GND	GND
9	CVBS	CVBS	-
10	5V-D	5V-D	-5V
11	GND	GND	GND
12	SCL	SCL	-
13	SDA	SDA	-
14	GND	GND	GND
15	V-SYNC	V-SYNC	-
16	V-OUT	SUB-BLK/MAIN-Y	-
17	12V	12V	12V
18	GND	GND	GND
19	OSD-F/B	OSD-F/B OUT	-
20	OSD-B	OSD-B OUT	-
21	OSD-G	OSD-G OUT	-
22	OSD-R	OSD-R OUT	-

**4-8-7 CONV-Module**

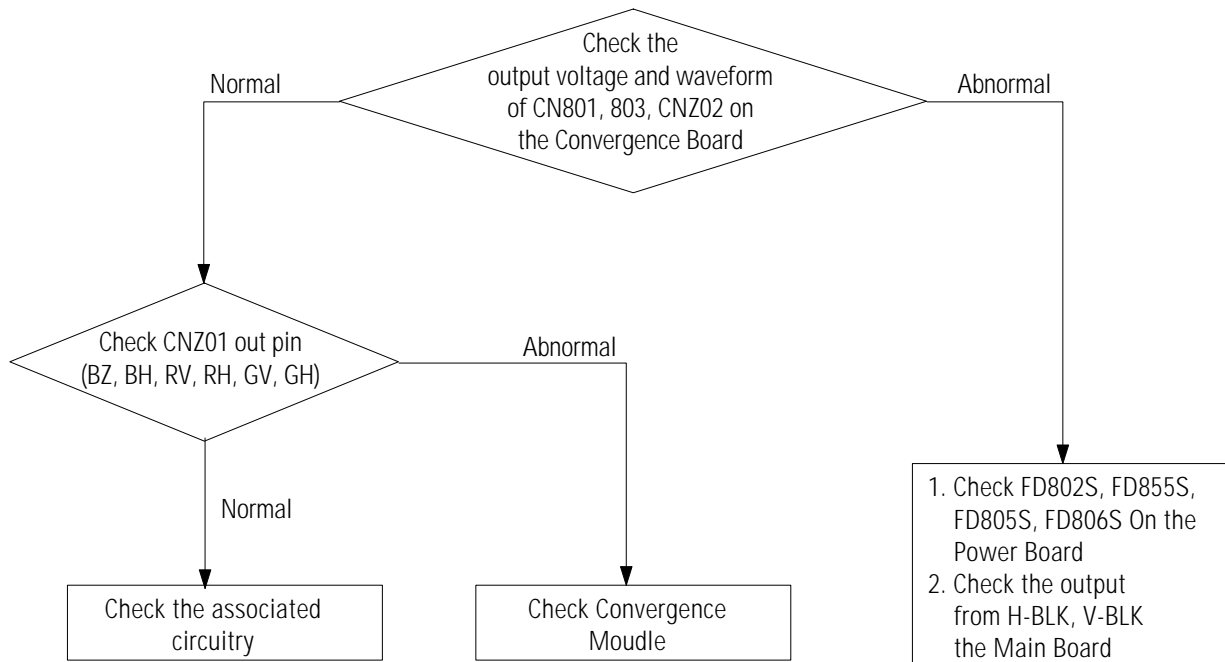
PIN NO.	ITEM	FUNCTION	OUT VOLT
1	6V	6V	6V
2	GND	GND	GND
3	FOCUS	N.C	-
4	GND	GND	GND
5	D2	SDA	-
6	D1	SCL	-
7	GND	GND	GND
8	C-SYNC	C-SYNC OUT	4.41V
9	R	WHEN TEST PATTERN R OUT	-
10	TEST-Y/G	WHEN TEST PATTERN G OUT	-
11	B	WHEN TEST PATTERN B OUT	-
12	D3	D3/NT-PAL SEL	0.2V
13	CTRL	CTRL	-
14	IR	INPUT REMOCON	3V
15	COMP	COMP VIDEO OUTPUT	-
16	GND	GND	GND
17	GND	GND	GND
18	GND	GND	GND
19	BV	BLUE VERTICAL OUT	-
20	BH	BLUE HORIZONTAL OUT	-
21	GV	GREEN VERTICAL OUT	-
22	GH	GREEN HORIZONTAL OUT	-
23	RV	RED VERTICAL OUT	-
24	RH	RED HORIZONTAL OUT	-
25	GND	GND	GND
26	H-BLK	H-BLANKING OUT	0.52V
27	V-BLK	V-BLANKING OUT	-
28	GND	GND	GND
29	N.C	N.C	-
30	-5.4V	-5.4V	-5.4V

PIN NO.	ITEM	FUNCTION	OUT VOLT
31	5.4V	5.4V	5.4V
32	GND	GND	GND

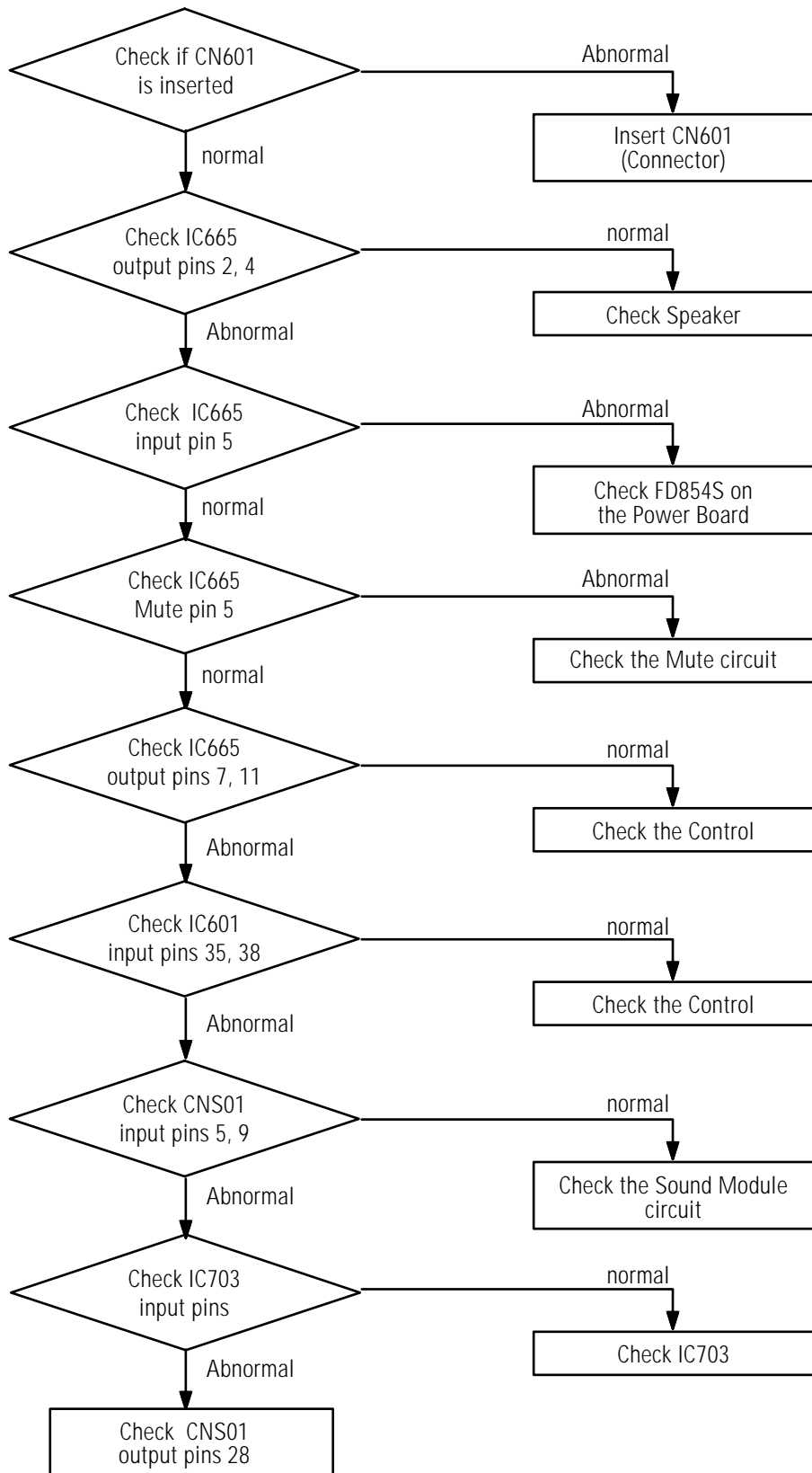
# MENO

## 5. Troubleshooting

### 5-1 Convergence Misaligned

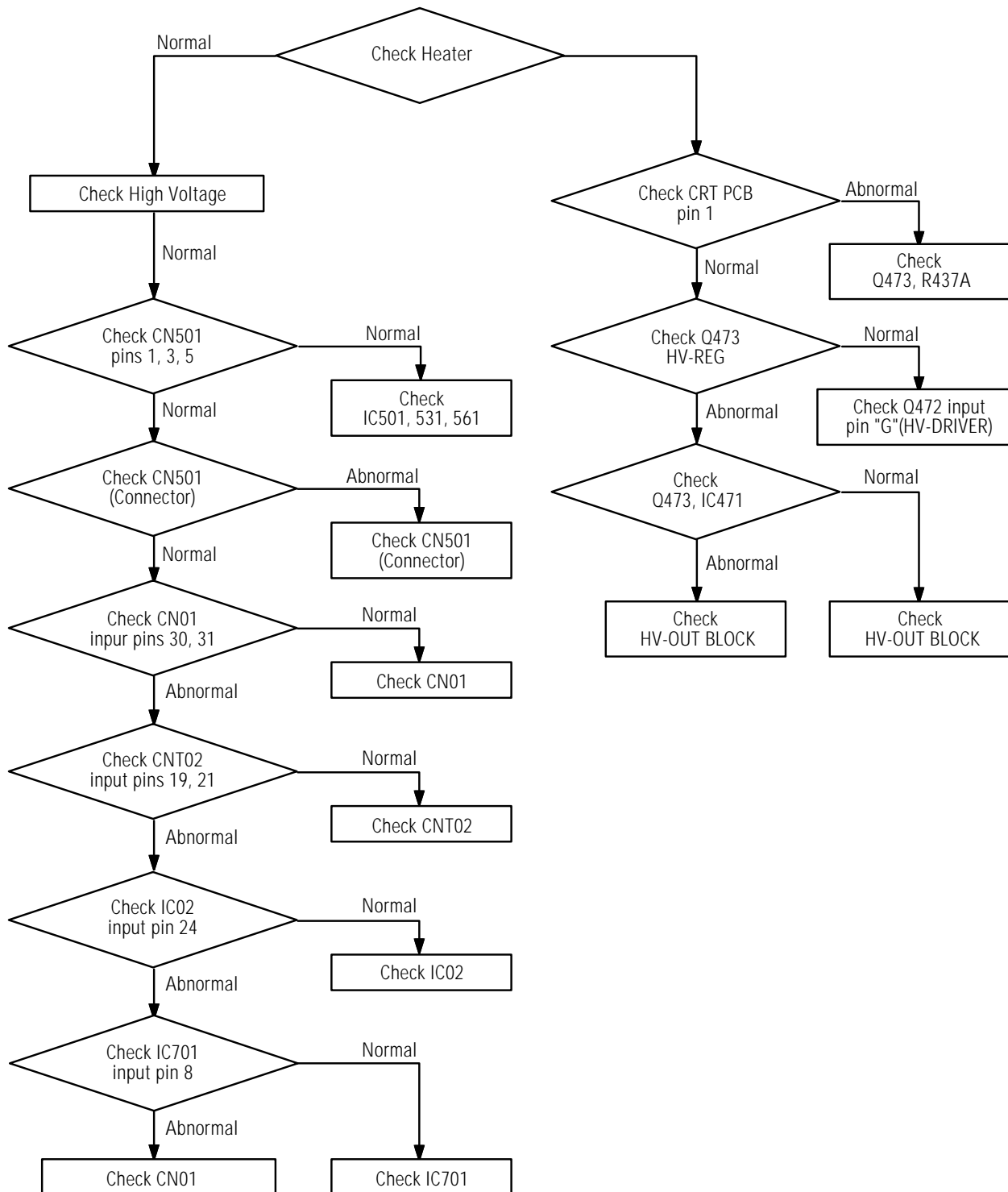


## 5-2 No Sound





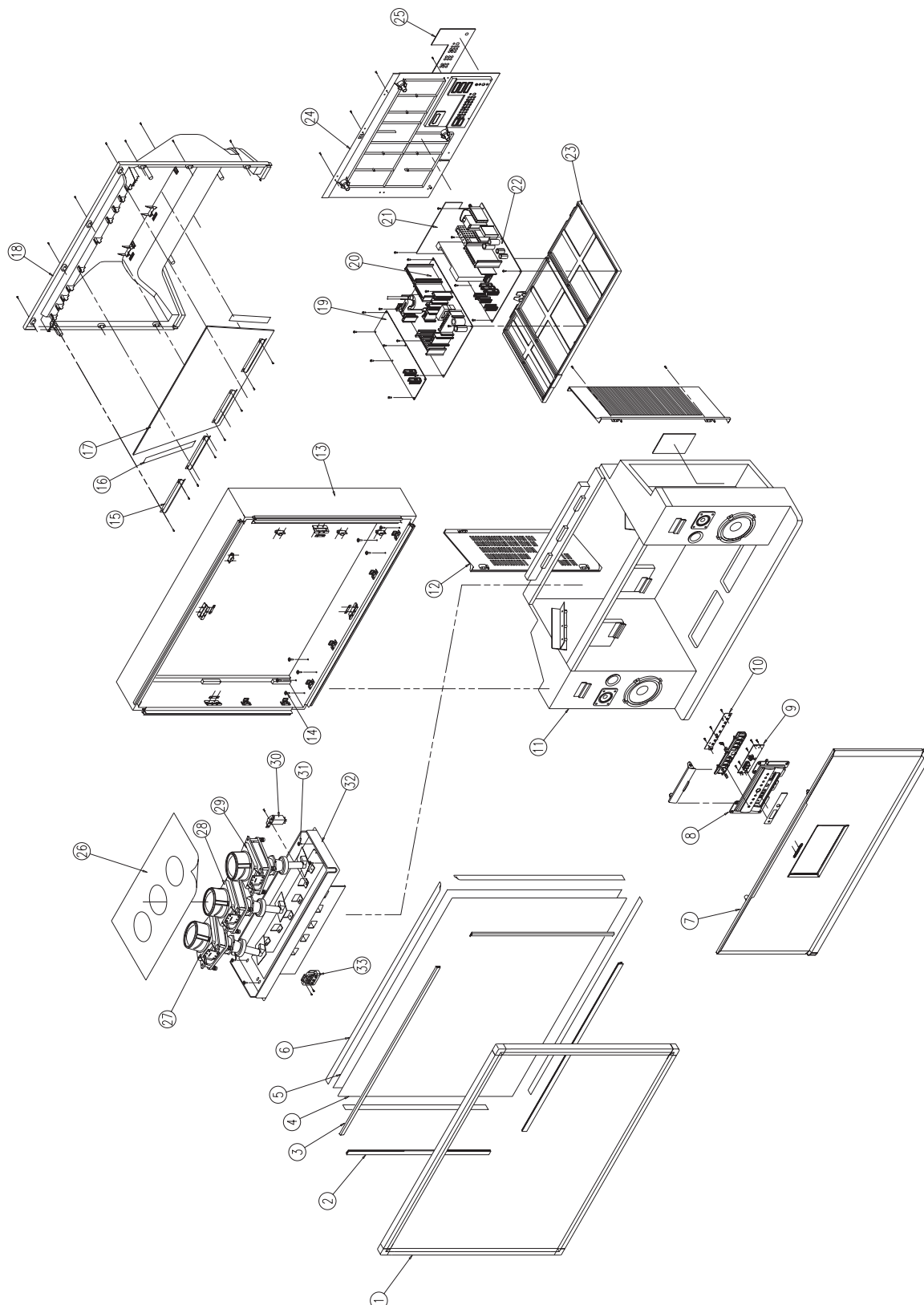
### 5-3 No Raster (Sound OK)



# MEMO

## 6. Exploded View & Parts List

### 6-1 PCL545RX/XAA(PCL5415R3C/XAA,PCL6215R3C/XAA,ST54(62)J9P3S/XAX



**6-2 PCL545RX/XAA**

No	Code No	Description	Specification	Q'ty	Remark
1	AA91-00654A	ASSY CABINET MASK;- ,HB,GRAY,LG807P+BL903P SEA P54A			
2	AA60-00069C	SPACER-SCREEN;ABS,-,-,-,BLK,-,-,HB		2	
3	AA60-00069B	SPACER-SCREEN;ABS,-,-,-,BLK,-,-,HB		2	
4	AA67-00023A	SUN-SCREEN;- ,53,H/C,A/S,PMMA,T=93%,T2.0,1125*854		1	
5	AA67-00116A	SCREEN-LENTI;- ,53,-,PMMA,TINT=10%,T1.0,1125*854 B		1	
5	AA67-00116B	SCREEN-FRESNEL;- ,53,-,T2.0,1125*854 B		1	
6	0203-001279	TAPE-OPP MASKING;#232,T0.14,W15,L50000,YEL		4(M)	
7	AA91-00653A	ASSY-FRONT,BOT;- ,VO G4309,HIPS SP700N SEA		1	
8	AA91-00652A	ASSY-CONTROL;- ,HB BLK,HIPS PCL545R SEA		1	
9	AA95-00998A	ASSY-PCB,A/V FRONT; - ,PCL545R,P54A		1	
10	AA95-00961A	ASSY-PCB,CONTROL; - ,PCL545R,P54A		1	
11	AA91-00475C	ASSY-WOOD,BOT;- ,WOOD,PCL545R		1	
12	AA64-01385C	CABINET-BACK,SIDE;43,54,62J8,-,HIPS,VO,BLK		2	
13	AA91-00474C	ASSY-WOOD,TOP;- ,WOOD,PCL545R		1	
14	6006-001094	SCREW-ASS'Y WOOD;WW,HH,+ ,M7,L32,ZPC(YEL),SWRCH18A		8	
15	AA91-00489B	ASSY-BRKT,MIRROR;- ,SECC-1 T1.0,54J8		4	
16	AA63-60131F	SPACER-FELT;,FELT,-,-,-,BLK,T0.5,-,280X50		2	
17	AA67-00080A	MIRROR-BACK;54J8,GLASS,940*686*673(132)*3,-,-,T3.0		1	
18	AA64-01379B	CABINET-BACK,TOP;54J8,-,HIPS,HB,BLK		1	
19	AA95-00799A	ASSY-PCB, POWER; - , PCL545R,P54A		1	
20	AA95-00705A	ASSY-PCB, SUB; - ,PCL545R,P54A		1	
21	AA95-00715B	ASSY-PCB, TERMINAL;- ,PCL545R,P54A		1	
22	AA94-03388A	ASSY-PCB, MAIN; PCL545RX/XAA ,P54A		1	
23	AA61-00504B	HOLDER-CHASSIS;43,54,62J8,ABS,GRAY,VO,-,-		1	
24	AA64-01384B	CABINET-BACK,BOT;43,54,62J8,-,HIPS,VO,BLK		1	
25	AA64-01395G	INLAY-TERMINAL;J7,J8,PS SHEET,T0.5,-,BLK,-,P54A		1	
26	AA60-00072B	SPACER-COVER,DUST;43,53,61J8,FELT,VO		1	
27	AA94-03340A	ASSY CRT-(R);P16LSG03RJA,+380MG,7,BARE,PCL534R		1	
28	AA94-03341A	ASSY CRT-(G);P16LSG03HKA,+380MG,7,BARE,PCL534R		1	
29	AA94-03342A	ASSY CRT-(B);P16LSG03BMB,+380MG,7,BARE,PCL534R		1	
30	AA26-00101A	TRANS-FBT;- ,FWZ-50A001E,50KV		1	
31	6006-001094	SCREW-ASS'Y WOOD;WW,HH,+ ,M7,L32,ZPC(YEL),SWRCH18A		4	
32	AA61-00475B	BRACKET-CRT,MAIN;54,SECC,T1.6,-,-		1	
33	AA59-00171A	MODULE-FOCUS,PACK; - ,SVP-5200,S300-P3		1	

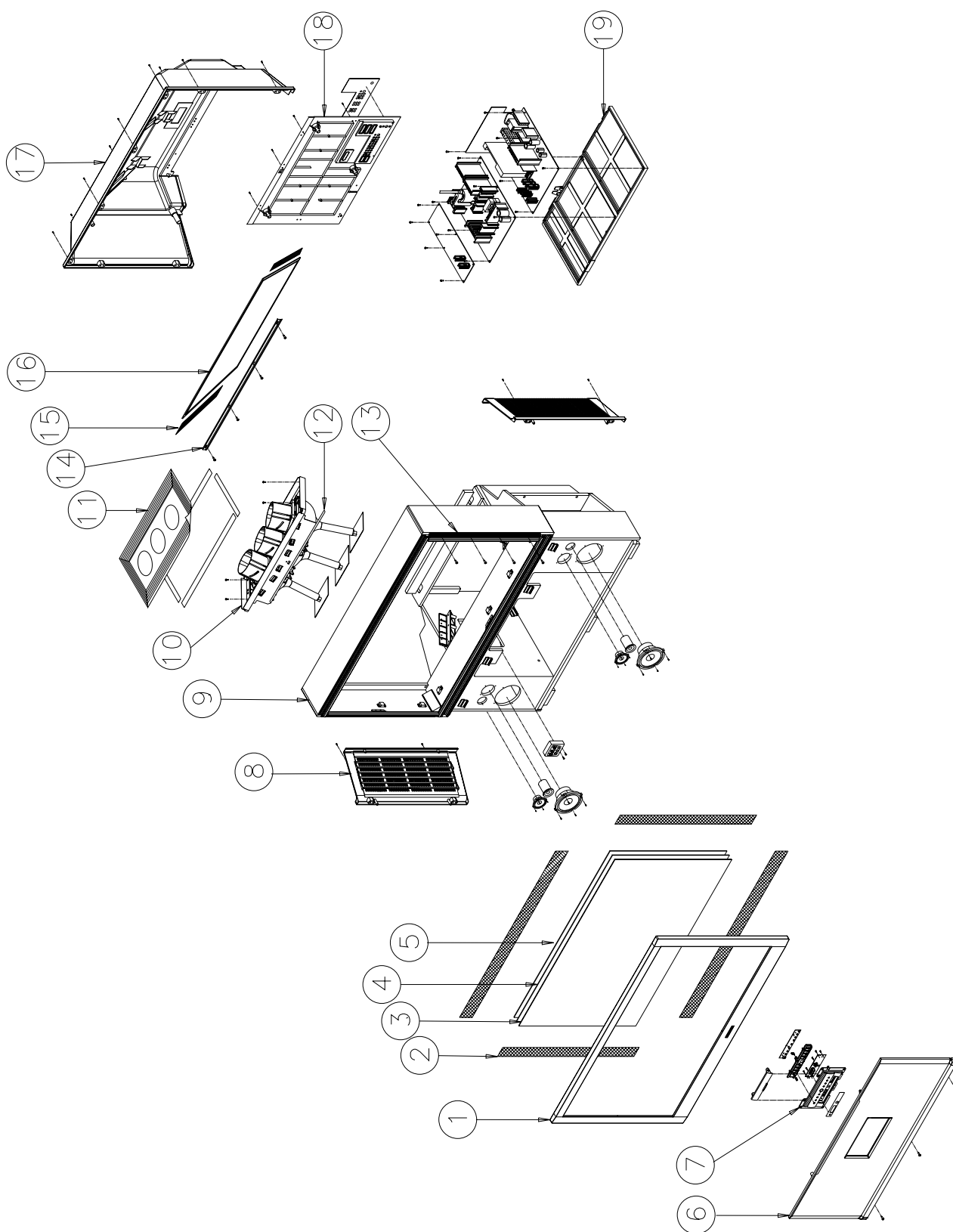
## 6-3 PCL5415R3C/XAA

No	Code No	Description	Specification	Q'ty	Remark
1	AA64-01915B	CABINET-MASK,ETC;DP,54J9,64-01393M,N,ABS		1	
2	AA60-00069C	SPACER-SCREEN;43,54,62J8,ABS,-,-,-,BLK,-		2	
3	AA60-00069B	SPACER-SCREEN;43,54,62J8,ABS,-,-,-,BLK,-		2	
4	AA67-00023A	SUN SCREEN,HC;-53,H/C,A/S,PMMA,T=93%,T		1	
5	AA67-00116B	SCREEN-FRESNEL;53,-,T2,1125*854,-,-,-		1	
5	AA67-00116A	SCREEN-LENTI;53,-,T1,1123*852,-,-,TINT=1		1	
6	0203-001279	TAPE-OPP MASKING;#232,T0.14,W15,L50000,YEL		4(M)	
7	AA91-00660B	ASSY-FRONT,BOT;DP,91-00653B SEARS,54J9		1	
8	AA95-01068B	ASSY-CONTROL;DP,PCL545R,P54A,16.2KG		1	
9	AA41-00453A	PCB-AV FRONT;PCL545R,FR-1,1L,A,1.6T,330X		1	
10	AA41-00425A	PCB-CONTROL;SVP54J8SR,FR-1,1L,A,1.6T,245		1	
11	AA64-01402B	CABINET-WOOD,BOT;54J9,SDE8326R WOOD		1	
12	AA64-01385C	CABINET-BACK,SIDE;545R,625R(SEA),HIPS,VO		1	
13	AA64-01399B	CABINET-WOOD, TOP;54J9,SDE8326R,WOOD		1	
14	6006-001094	SCREW-ASS'Y WOOD;WW,HH,+,M7,L32,ZPC(YEL)		8	
15	AA91-00489B	ASSY-BRKT,MIRROR;-,-,SECC-1 T1.0,54J8		1	
16	AA63-60131A	SPACER-FELT;FELT,T0.5,BLK,80x70,SVP403J,		1	
17	AA67-00080A	MIRROR-BACK;54J8, GLASS,940*686*673(132)*		1	
18	AA64-01379B	CABINET-BACK, TOP;54J8,-,HIPS,HB,BLK		1	
19	AA95-00799A	ASSY PCB POWER;PCL545R,P54A,53		1	
20	AA95-00705A	ASSY-PCB,SUB;PCL545R,P54A		1	
21	AA95-00716A	ASSY-PCB,TERMINAL;PCL545R,P54A		1	
22	AA94-03388C	ASSY PCB MAIN(OPT);PCL5415R3C/XAA,P54A,U		1	
23	AA61-00504B	HOLDER-CHASSIS;43,54,62J8,ABS,GRAY,VO,-,		1	
24	AA64-01853A	CABINET-BACK, TOP;DP,54J8,AA64-01379B,HB		1	
25	AA64-01395L	INLAY-TERMINAL;J9,PS SHEET,T0.5,BLK,P54A		1	
26	AA60-00072B	SPACER-COVER,DUST;43,54,62J9,SPONGE 94HF		1	
27	AA97-01192A	ASSY CRT-(R);,+380MG,P16LSG03RJA,BARE,PC		1	
28	AA97-01193A	ASSY CRT-(G);,+380MG,P16LSG03HKA,BARE,PC		1	
29	AA97-01194A	ASSY CRT-(B);,+380MG,P16LSG03BMB,BARE,PC		1	
30	AA26-00100A	TRANS FBT;FFA97513L,CT29A7DR,0.3mH,-,-,-		1	
31	6006-001094	SCREW-ASS'Y WOOD;WW,HH,+,M7,L32,ZPC(YEL)		8	
32	AA61-00617A	BRACKET-CRT,MAIN;54J7,DP,-,-,AA61-00475B		1	
33	AA59-00171A	MODULE-FOCUS,PACK;SVP-5200,S300-P3,-,-,-		1	

**6-4 PCL6215R3C/XAA**

No	Code No	Description	Specification	Q'ty	Remark
1	AA91-00673A	ASSY CABINET MASK;- ,HB,GRAY,GR801P+BL903P SEA P54A		1	
2	AA60-00069G	SPACER-SCREEN;ABS,-,-,-,BLK,-,-,HB		2	
3	AA60-00069F	SPACER-SCREEN;ABS,-,-,-,BLK,-,-,HB		2	
4	AA67-00022A	SUN SCREEN;61,-,T2.0,1283*973,-,-,HC,AS		1	
5	AA67-70056A	SCREEN-TINT;0.515,61',DNP,896-985,TINT10%,2.7,1283		1	
6	0203-001279	TAPE-OPP MASKING;#232,T0.14,W15,L50000,YEL		4.6(M)	
7	AA91-00672A	ASSY-FRONT,BOT;VO G4309 SEA,HIPS,PCL6215R		1	
8	AA91-00652A	ASSY-CONTROL;- ,HB BLK,HIPS PCL545R SEA		1	
9	AA95-00998A	ASSY-PCB,A/V FRONT; -,PCL545R,P54A		1	
10	AA95-00961A	ASSY-PCB,CONTROL; -,PCL545R,P54A		1	
11	AA91-00670A	ASSY-WOOD,BOT;-,-,WOOD,PCL6215R		1	
12	AA64-01385C	CABINET-BACK,SIDE;43,54,62J8,-,HIPS,VO,BLK		1	
13	AA91-00566A	ASSY-WOOD,TOP;-,-,WOOD,PCL6215R		2	
14	6006-001094	SCREW-ASS'Y WOOD;WW,HH,+,M7,L32,ZPC(YEL),SWRCH18A		9	
15	AA61-00357B	HOLDER-MIRROR;- ,PCJ612R,ABS,HB,BLK,L1170		1	
16	AA63-00386A	COVER-MIRROR,WOOD;62J8,WOOD,-,-,-,ASSY,-		1	
17	AA67-00081A	MIRROR-BACK;62J8,GLASS,1187*725*830,-,-,T3.0		1	
18	AA64-01870B	CABINET-BACK,TOP;62J9,-,HIPS,HB,BLK,SHEET		1	
19	AA95-00799A	ASSY-PCB, POWER; -, PCL545R,P54A		1	
20	AA95-00705A	ASSY-PCB, SUB; -,PCL545R,P54A		1	
21	AA95-00715B	ASSY-PCB, TERMINAL;- ,PCL545R,P54A		1	
22	AA94-03388A	ASSY-PCB, MAIN; PCL545RX/XAA ,P54A		1	
23	AA61-00504B	HOLDER-CHASSIS;43,54,62J8,ABS,GRAY,VO,-,-		1	
24	AA64-01384B	CABINET-BACK,BOT;43,54,62J8,-,HIPS,VO,BLK		1	
25	AA64-01395L	INLAY-TERMINAL;J7,J8,PS SHEET,T0.5,-,BLK,-,P54A		1	
26	AA60-00072B	SPACER-COVER,DUST;43,53,61J8,FELT,94HF-1		1	
27	AA94-03340A	ASSY CRT-(R);P16LSG03RJA,+380MG,7,BARE,PCL534R		1	
28	AA94-03341A	ASSY CRT-(G);P16LSG03HKA,+380MG,7,BARE,PCL534R		1	
29	AA94-03342A	ASSY CRT-(B);P16LSG03BMB,+380MG,7,BARE,PCL534R		1	
30	AA26-00101A	TRANS-FBT;- ,FWZ-50A001E,50KV		1	
31	6006-001094	SCREW-ASS'Y WOOD;WW,HH,+,M7,L32,ZPC(YEL),SWRCH18A		4	
32	AA61-00475B	BRACKET-CRT,MAIN;54,SECC,T1.6,-,-		1	
33	AA59-00171A	MODULE-FOCUS,PACK;SVP-5200,S300-P3,		1	

### 6-5 HCL47WX/XAA(HCL4715WX/XAA)

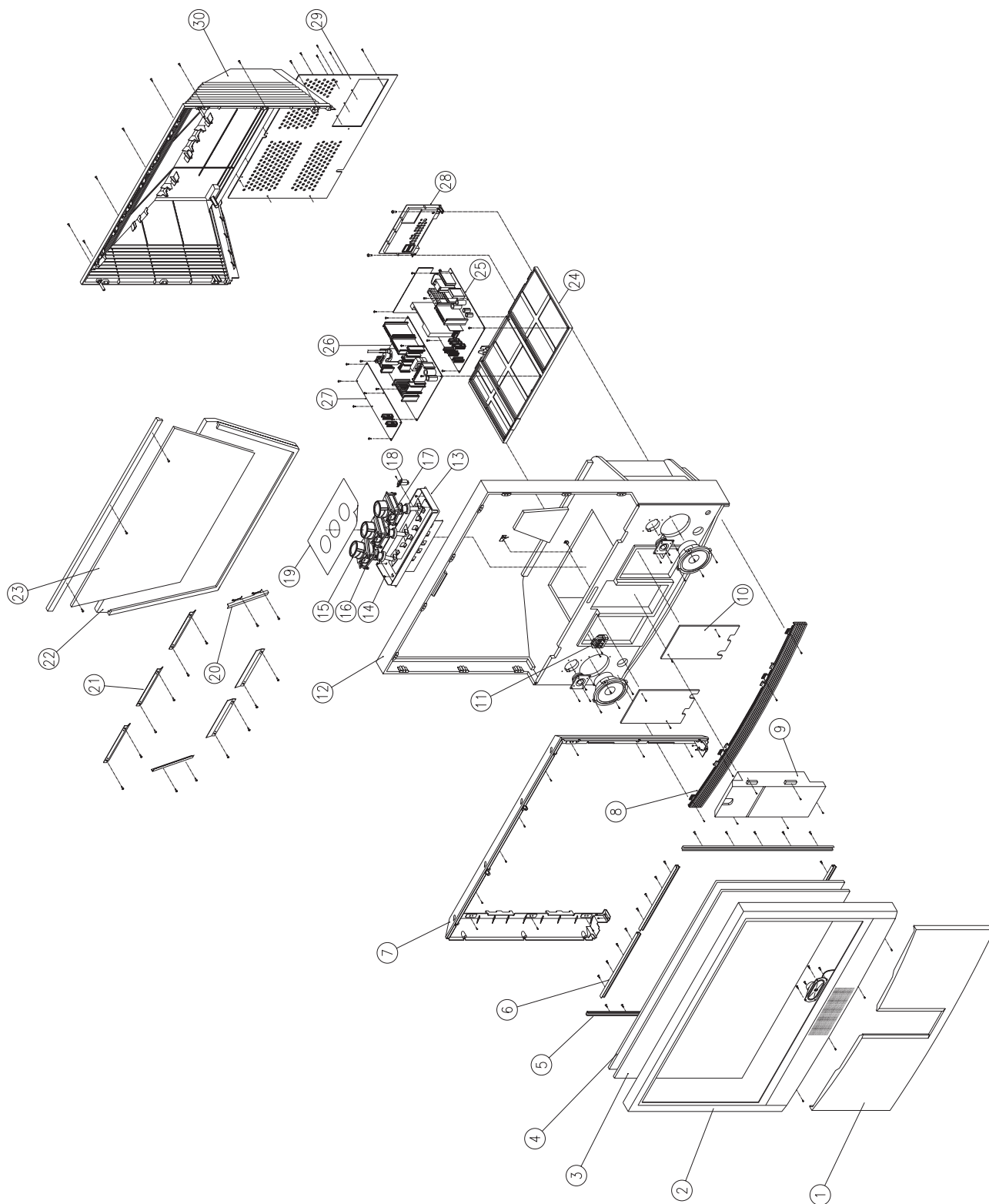


**6-6 HCL473WX/XAA(HCL4715X/XAA)**

No	Code No	Description	Specification	Q'ty	Remark
1	AA91-00838A	ASSY CABINET MASK;,,HB,GRAY,DG-703P SEA,4		1	
2	0203-001279	TAPE-OPP MASKING;#232,T0.14,W15,L50000,YEL		4(M)	
3	AA67-00136A	SUN SCREEN-AG;47W,T=82%,1072*614*2,G=110		1	
4	AA67-00119A	SCREEN-LENTI;47W,T0.72,1070*612,TINT=10%		1	
5	AA67-00119B	SCREEN-FRESNEL;47W,T2,1072*614		1	
6	AA91-00837A	ASSY-FRONT,BOT;,,VO G4309,HIPS,47W1(HCL47		1	
7	AA91-00652D	ASSY-CONTROL;,,HIPS HB GRAY,LG807P+SV012P		1	
8	AA64-01385C	CABINET-BACK,SIDE;545R,625R(SEA),HIPS,-,		2	
9	AA91-00836A	ASSY-CABINET,WOOD;,,WOOD,47W1		1	
10	AA61-00475B	BRACKET-CRT,MAIN;54,SECC,T1.6,-,-,-		1	
11	AA60-00123B	SPACER-COVER,DUST;W3,PS SHEET,T0.35		1	
12	AA61-00618B	GUIDE-FLOW;54J8,J7,ABS,-,-,-,BLK,HB		1	
13	AA61-00788H	HOLDER-SCREEN,L;47W3,ABS HB,L632,BLK,SEP		1	
14	AA91-00751A	ASSY-BRACKER,MIRROR;,,47W3		1	
15	AA60-00135A	SPACER-MIRROR,FIBER;47W3,ANT-300G,L180,T		2	
16	AA67-00181A	MIRROR-BACK;47W3,GLASS,861*677*421,T3.0		1	
17	AA64-02061B	CABINET-BACK,TOP;47W3,HIPS HB,BLK,DO		1	
18	AA64-02175B	CABINET-BACK,BOT;47W1,47H1,HIPS,VO,BLK		1	
19	AA61-00504B	HOLDER-CHASSIS;43,54,62J8,ABS,-,-,-,GRAY		1	



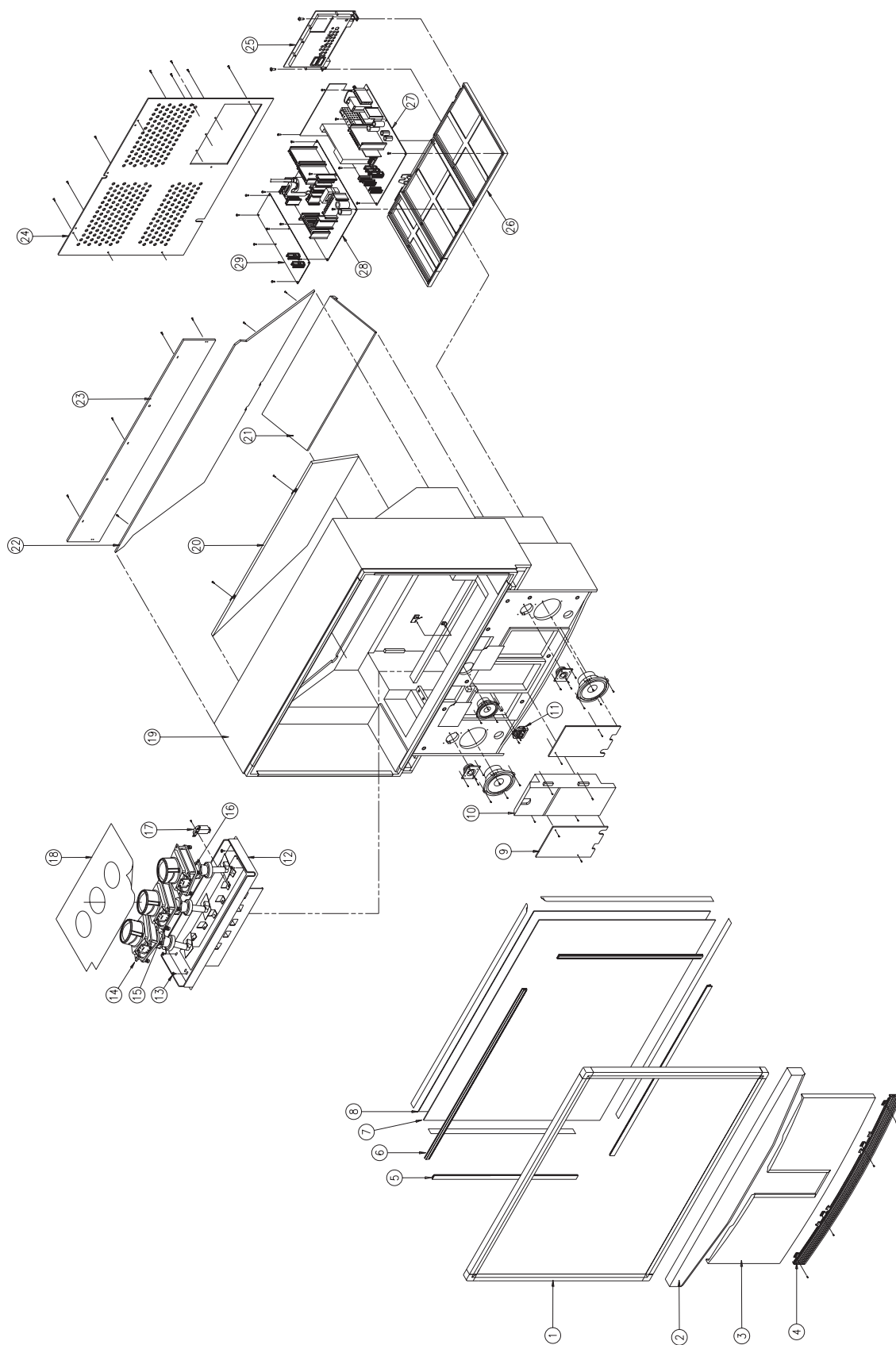
### 6-7 HCL552WX/XAA(HCL5515WX/XAA)



**6-8 HCL552WX/XAA(HCL5515X/XAA)**

No	Code No	Description	Specification	Q'ty	Remark
1	AA91-10404E	ASSY CABINET BOT;- ,VO BLK,JERSEY SP700N		1	
2	AA91-10402K	ASSY CABINET FRONT;- ,552W HDTV,(SPK)		1	
3	AA67-00053A	SUN-SCREEN;- ,55W,H/C,A/S,PMMA,T=82%,T2.		1	
4	AA67-70055A	SCREEN;DNP;55W,-,-,TINT=10%,2.7,1251		1	
5	AA61-11024A	BRACKET-SCREEN,S;-,-,SECC-1,T1.0,-,-,-		2	
6	AA61-11023A	BRACKET-SCREEN,T;-,-,SECC-1,T1.0,-,-,-		4	
7	AA64-31316A	CABINET-MIDDLE;- ,SPT555JHD,SV704P,HIPS,H		1	
8	AA64-80052A	LEG-FRONT;- ,SPT555JHD,DG703P,HIPS,HB,BLK		1	
9	AA95-01155A	ASSY-DOOR;- ,552W,652W,P54A,-,-,-		1	
10	AA63-30225A	COVER-WOOD;- ,SPT-555JHD,-,WOOD,-,-,-,-		2	
11	AA59-00171A	MODULE-FOCUS,PACK;SVP-5200,S300-P3,BK,-		1	
12	AA91-00692A	ASSY-CABINET,WOOD;- ,WOOD(R1),P54A,SDE8326		1	
13	AA61-00475B	BRACKET-CRT,MAIN;54,SECC,T1.6		1	
14	6006-001090	SCREW-ASS'Y TAPP;WW,HEX,M6,L28.0		4	
15	AA94-03599A	ASSY-CRT-(R);P16LNM07RJA,+380MG,55,-,-,B		1	
16	AA94-03600A	ASSY-CRT-(G);P16LNM07HKA,+380MG,55,-,-,B		1	
17	AA94-03601A	ASSY-CRT-(B);P16LNM07BMB,+380MG,55,-,-,B		1	
18	AA26-00101A	TRANS FBT;FWZ50A001E,-,-,		1	
19	AA60-00072B	SPACER-COVER,DUST;SPONGE,94HF-1		1	
20	AA61-11022A	BRACKET-MIRROR,S;-,-,SECC-1,T1.0,-,-,-		2	
21	AA61-11021A	BRACKET-MIRROR,T;-,-,SECC-1,T1.0,-,-,-		5	
22	AA64-31259A	CASE-MIRROR;- ,SPT-555JHD,-,WOOD,-,-,-,-		1	
23	AA67-20028A	MIRROR-FRONT;55'W,GLASS,T=3.0,-,FSM,1074		1	
24	AA61-00051B	HOLDER-CHASSIS;- ,ABS,VO,GRY,-		1	
25	AA94-03388A	ASSY PCB MAIN(OPT);PCL534R,P54A,-,-		1	
26	AA95-00705A	ASSY-PCB,SUB;PCL545R,P54A		1	
27	AA95-00799A	ASSY PCB POWER;PCL545R,P54A,53		1	
28	AA91-00594B	ASSY TERMINAL BOARD;- ,HIPS,VO,BLK,P54A		1	
29	AA64-00624A	CABINET-BACK,BOARD;- ,HARDBOARD,HIPS,VO,BLK		1	
30	AA64-31213B	CABINET-BACK-TOP;- ,555J,-,HIPS,HB,BLK,-,		1	

### 6-9 HCL652WX/XAA(HCL6515WX/XAA)



**6-10 HCL652WX/XAA(HCL6515X/XAA)**

No	Code No	Description	Specification	Q'ty	Remark
1	AA91-00695A	ASSY CABINET MASK;- ,HB,BLK,D902+B901 HDT		1	
2	AA91-00696A	ASSY-DECORATION,JERSEY;- ,PS,HB,BLK,SP500G,JERSEY		1	
3	AA91-10404E	ASSY CABINET BOT;- ,VO BLK,JERSEY SP700N		1	
4	AA64-80052A	LEG-FRONT;- ,SPT555JHD,DG703P,HIPS,HB,BLK		1	
5	AA60-00069M	SPACER-SCREEN;ABS HB BLK L840		2	
6	AA60-00069H	SPACER-SCREEN;ABS HB BLK L1440		2	
7	AA67-00021A	SUN-SCREEN;- ,65φ@W,H/C,A/S,PMMA,TRAN=82%		1	
8	AA67-00009A	SCREEN-TINT;- ,65W,DNP,P=0.72,TINT=10%,3.		1	
9	AA63-30225A	COVER-WOOD;- ,SPT-555JHD,- ,WOOD,- ,,- ,-		2	
10	AA95-01155A	ASSY-DOOR;- ,552W,652W,P54A,- ,,-		1	
11	AA59-00171A	MODULE-FOCUS,PACK;SVP-5200,S300-P3,BK,-		1	
12	AA61-00475B	BRACKET-CRT,MAIN;54,SECC,T1.6		1	
13	6006-001090	SCREW-ASS'Y TAPP;WW,HEX,M6,L28.0		4	
14	AA94-03599A	ASSY-CRT-(R);P16LNM07RJA,+380MG,55,- ,,- ,B		1	
15	AA94-03600A	ASSY-CRT-(G);P16LNM07HKA,+380MG,55,- ,,- ,B		1	
16	AA94-03601A	ASSY-CRT-(B);P16LNM07BMB,+380MG,55,- ,,- ,B		1	
17	AA26-00101A	TRANS FBT;FWZ50A001E,- ,,-		1	
18	AA60-00113A	SPACER-COVER,DUST;SPONGE,94HF-1		1	
19	AA91-00694A	ASSY-CABINET,WOOD;- ,WOOD(R1),P54A,SDE8326		1	
20	AA67-00052A	MIRROR-FRONT;65W,GLASS,T3.0,FSM,- ,1210*		1	
21	AA63-00465A	COVER-DUST;- ,HCL652W,- ,WOOD,- ,BLK,- ,,-		1	
22	AA63-00109A	COVER-MIRROR;- ,HCJ655W,- ,WOOD,- ,BLK,- ,,-		1	
23	AA63-00464A	COVER-BACK,TOP;- ,HCL652W,- ,WOOD,- ,BLK,- ,		1	
24	AA64-00623A	CABINET-BACK,BOARD;- ,HCL652W,- ,PS,V0,- ,,- ,BLK		1	
25	AA91-00594B	ASSY TERMINAL BOARD;- ,HIPS,V0,BLK,P54A		1	
26	AA61-00051B	HOLDER-CHASSIS;- ,ABS,V0,GRY,-		1	
27	AA94-03388A	ASSY PCB MAIN(OPT);PCL534R,P54A,- ,,-		1	
28	AA95-00705A	ASSY-PCB,SUB;PCL545R,P54A		1	
29	AA95-00799A	ASSY PCB POWER;PCL545R,P54A,53		1	

## 7. Electrical Parts List

### 7-1 PCL545RX/XAA

Loc. No.	Code No.	Description ; Specification	Remark	Loc. No.	Code No.	Description ; Specification	Remark
<b>ASSY-PCB,INTERFACE</b>							
1	*AA95-00968A	ASSY-PCB,INTERFACE;,PCL545R,P54A		...3 R22	2001-000645	R-CARBON;330KOHM,5%,1/8W,AA,TP,1.8X3.2MM	
...2 CN05	3711-003641	CONNECTOR-HEADER;BOX,12P,1R,2.5mm,STRAIG		...3 R23	2001-000281	R-CARBON;1000HM,5%,1/8W,AA,TP,1.8X3.2MM	
...2 CN09	3711-002646	CONNECTOR-HEADER;BOX,7P,1R,2.5mm,STRAIGH		...3 R24	2001-000281	R-CARBON;1000HM,5%,1/8W,AA,TP,1.8X3.2MM	
...2 CNW09	AA39-20029L	LEAD CONNECTOR ASSY;,7P,67096-007,S,800M		...3 R25	2001-000290	R-CARBON;10KOHM,5%,1/8W,AA,TP,1.8X3.2MM	
...2 IC01	1201-000229	IC-OP AMP;324,DIP,14P,300MIL,QUAD,100V/m		...3 R26	2001-000290	R-CARBON;10KOHM,5%,1/8W,AA,TP,1.8X3.2MM	
...2 IC02	1002-001256	IC-A/D CONVERTER;AD7823YN,8Bits,DIP8P,2		...3 R27	2001-000290	R-CARBON;10KOHM,5%,1/8W,AA,TP,1.8X3.2MM	
...2 IC03	1203-001006	IC-VOLTAGE REGULATOR;78R05,TO-220F,4P,.		...3 R30	2001-000429	R-CARBON;1KOHM,5%,1/8W,AA,TP,1.8X3.2MM	
...2 PCB	AA41-00397B	PCB-AUTO CONVERGENCE;PCL545R,FR-1,1L,B,1		...3 R31	2001-000429	R-CARBON;1KOHM,5%,1/8W,AA,TP,1.8X3.2MM	
...2	0202-000187	SOLDER-WIRE FLUX;-RS60S,D1.2,63Sn/37Pb		...3 R32	2001-000734	R-CARBON;4.7KOHM,5%,1/8W,AA,TP,1.8X3.2M	
...2	3301-001201	CORE-FERRITE;AE,21x11x32mm,1500,280G		...3 R33	2001-000734	R-CARBON;4.7KOHM,5%,1/8W,AA,TP,1.8X3.2M	
...2	AA99-20088U	ASSY-PCB SUB,AUTO; AA95-00968A .V	S.N.A	...3 R34	2003-002171	R-METAL OXIDE(S);150ohm,5%,2W,AG,TP,2.9x	
...3 C01	2201-000949	C-CERAMIC,DISC;0.005nF,0.5pF,50V,UJ,TP,4		...3 R35	2001-000281	R-CARBON;1000HM,5%,1/8W,AA,TP,1.8X3.2MM	
...3 C02	2201-000949	C-CERAMIC,DISC;0.005nF,0.5pF,50V,UJ,TP,4		...3 R36	2001-000210	R-CARBON;0ohm,5%,1/8W,AA,TP,1.8x3.2mm	
...3 C03	2201-000949	C-CERAMIC,DISC;0.005nF,0.5pF,50V,UJ,TP,4		...3 R37	2001-000302	R-CARBON;100HM,5%,1/8W,AA,TP,1.8X3.2MM	
...3 C04	2201-000949	C-CERAMIC,DISC;0.005nF,0.5pF,50V,UJ,TP,4		...3 R38	2001-000302	R-CARBON;100HM,5%,1/8W,AA,TP,1.8X3.2MM	
...3 C05	2401-001495	C-AL;47uF,20%,16V,GP,TP,5x11,5		...3 R40	2001-000605	R-CARBON;3.6KOHM,5%,1/8W,AA,TP,1.8X3.2M	
...3 C06	2201-000119	C-CERAMIC,DISC;100nF,+80-20%,50V,Y5V,TP,		...3 R41	2001-000429	R-CARBON;1KOHM,5%,1/8W,AA,TP,1.8X3.2MM	
...3 C07	2301-000289	C-FILM,PEF;5.6nF,5%,50V,TP,7x6x3,5		...3 R42	2001-000281	R-CARBON;1000HM,5%,1/8W,AA,TP,1.8X3.2MM	
...3 C08	2301-000383	C-FILM,PEF;10nF,5%,50V,TP,6x7x3.2mm,5mm		<b>ASSY PCB POWER</b>			
...3 C10	2401-000914	C-AL;22uF,20%,16V,GP,TP,5x11,5		1	*AA95-00799A	ASSY PCB POWER;PCL545R,P54A,53	
...3 C11	2401-001495	C-AL;47uF,20%,16V,GP,TP,5x11,5		...2 C812	2401-000701	C-AL;2200uF,20%,250V,GP,-,35x70mm,1	
...3 C12	2201-000119	C-CERAMIC,DISC;100nF,+80-20%,50V,Y5V,TP,		...2 C813	2401-000701	C-AL;2200uF,20%,250V,GP,-,35x70mm,1	
...3 C13	2401-001495	C-AL;47uF,20%,16V,GP,TP,5x11,5		...2 C831	2306-000323	C-FILM,MPPF;2.2nF,5%,1.6KV,TP,28.5x15.5x	
...3 C14	2201-000119	C-CERAMIC,DISC;100nF,+80-20%,50V,Y5V,TP,		...2 C862	2401-003076	C-AL;3300uF,20%,50V,W/BK,18x35.5mm	
...3 C15	2401-000287	C-AL;100uF,20%,16V,WT,TP,6.3x11,5		...2 C865	2401-000737	C-AL;2200uF,20%,50V,GP,TP,18x35.5,7	
...3 C16	2201-000119	C-CERAMIC,DISC;100nF,+80-20%,50V,Y5V,TP,		...2 C868	2401-000737	C-AL;2200uF,20%,50V,GP,TP,18x35.5,7	
...3 D05	0401-000005	DIODE-SWITCHING;1N4148,100V,200mA,DO-35,		...2 C875	2401-002251	C-AL;470uF,20%,200V,GP,BK,25x40mm,1	
...3 DZ01	0403-000510	DIODE-ZENER;MTZJ6.2B,6.2V,5.96-6.27V,500		...2 CN802	AA39-00116A	LEAD CONNECTOR-ASSY;,12P,YBNH250-12,3515	
...3 DZ02	0403-000510	DIODE-ZENER;MTZJ6.2B,6.2V,5.96-6.27V,500		...2 CN803	AA39-00116A	LEAD CONNECTOR-ASSY;,12P,YBNH250-12,3515	
...3 DZ03	0403-000510	DIODE-ZENER;MTZJ6.2B,6.2V,5.96-6.27V,500		△ ...2 CX801S	2306-000112	C-FILM,MPPF;100nF,20%,250V,BK,-,15mm	
...3 DZ04	0403-000510	DIODE-ZENER;MTZJ6.2B,6.2V,5.96-6.27V,500		△ ...2 CX802S	2306-000112	C-FILM,MPPF;100nF,20%,250V,BK,-,15mm	
...3 DZ05	0403-000510	DIODE-ZENER;MTZJ6.2B,6.2V,5.96-6.27V,500		△ ...2 CY801S	2201-000987	C-CERAMIC,DISC;2.2nF,20%,400V,Y5U,TP,12.	
...3 DZ06	0403-000510	DIODE-ZENER;MTZJ6.2B,6.2V,5.96-6.27V,500		△ ...2 CY802S	2201-000987	C-CERAMIC,DISC;2.2nF,20%,400V,Y5U,TP,12.	
...3 DZ07	0403-000510	DIODE-ZENER;MTZJ6.2B,6.2V,5.96-6.27V,500		△ ...2 D801S	AA96-50310A	ASSY-H/S;- ,POWER,AA62-30150C,RBV606,-	
...3 DZ08	0403-000510	DIODE-ZENER;MTZJ6.2B,6.2V,5.96-6.27V,500		...3	AA62-30150C	HEAT SINK-ES;- ,A6063 EXTR,-,WHT,40(24.5)	
...3 DZ09	0403-000508	DIODE-ZENER;MTZJ5.6B,5.6V,5.45-5.73V,500		...3	AA60-30003A	WASHER;- ,T1.5,-,SBHG-1,-	
...3 DZ10	0403-000510	DIODE-ZENER;MTZJ6.2B,6.2V,5.96-6.27V,500		...3	6003-000333	SCREW-TAPTITE;RH,+ ,2S,M3,L10,ZPC(YEL),SW	
...3 DZ11	0403-000510	DIODE-ZENER;MTZJ6.2B,6.2V,5.96-6.27V,500		...3	0402-000549	DIODE-BRIDGE;RBV606,600V,6A,-,BK	
...3 DZ12	0403-000510	DIODE-ZENER;MTZJ6.2B,6.2V,5.96-6.27V,500		...3	0205-000129	GREASE-SILICON;SC102,JAPAN	
...3 DZ13	0403-000510	DIODE-ZENER;MTZJ6.2B,6.2V,5.96-6.27V,500		△ ...2 D810	0402-000250	DIODE-RECTIFIER;RG4C,1000V,1A,-	
...3 EF01	2901-000297	FILTER-EMI ON BOARD;- ,3A,-,-,3.5x5,TP,-		△ ...2 D854	AA96-50153C	ASSY-H/S;- ,AA62-30013D,FLM-G12S,-	
...3 EF02	2901-000297	FILTER-EMI ON BOARD;- ,3A,-,-,3.5x5,TP,-		...3	0402-000233	DIODE-RECTIFIER;FML-G12S,200V,5A,-,-	
...3 EF03	2901-000297	FILTER-EMI ON BOARD;- ,3A,-,-,3.5x5,TP,-		...3	6003-000333	SCREW-TAPTITE;RH,+ ,2S,M3,L10,ZPC(YEL),SW	
...3 EF04	2901-000297	FILTER-EMI ON BOARD;- ,3A,-,-,3.5x5,TP,-		...3	AA62-30013D	HEAT SINK-ES;- ,A6063 EXTR,-,55(21) T02	
...3 EF05	2901-000297	FILTER-EMI ON BOARD;- ,3A,-,-,3.5x5,TP,-		△ ...2 D855	AA96-50153C	ASSY-H/S;- ,AA62-30013D,FLM-G12S,-	
...3 EF06	2901-000297	FILTER-EMI ON BOARD;- ,3A,-,-,3.5x5,TP,-		△ ...2 D856	AA96-50153C	ASSY-H/S;- ,AA62-30013D,FLM-G12S,-	
...3 EF07	2901-000297	FILTER-EMI ON BOARD;- ,3A,-,-,3.5x5,TP,-		△ ...2 D857	AA96-50153C	ASSY-H/S;- ,AA62-30013D,FLM-G12S,-	
...3 EF08	2901-000297	FILTER-EMI ON BOARD;- ,3A,-,-,3.5x5,TP,-		△ ...2 D858	AA96-50153C	ASSY-H/S;- ,AA62-30013D,FLM-G12S,-	
...3 EF09	2901-000297	FILTER-EMI ON BOARD;- ,3A,-,-,3.5x5,TP,-		△ ...2 D859	AA96-50153A	ASSY-H/S;- ,TR,AA62-30013D,FMG-26S,-	
...3 EF10	2901-000297	FILTER-EMI ON BOARD;- ,3A,-,-,3.5x5,TP,-		...3	0402-000231	DIODE-RECTIFIER;FMG-G26S,600V,4A,TO-220F	
...3 EF11	2901-000297	FILTER-EMI ON BOARD;- ,3A,-,-,3.5x5,TP,-		...3	6003-000333	SCREW-TAPTITE;RH,+ ,2S,M3,L10,ZPC(YEL),SW	
...3 EF12	2901-000297	FILTER-EMI ON BOARD;- ,3A,-,-,3.5x5,TP,-		...3	AA62-30013D	HEAT SINK-ES;- ,A6063 EXTR,-,55(21) T02	
...3 L01	2701-000115	INDUCTOR-AXIAL;10uH,10%,3x7mm		△ ...2 FD802S	3601-000300	FUSE-CARTRIDGE;250V,6.3A,SLOW-BLOW,GLASS	
...3 Q05	0501-000389	TR-SMALL SIGNAL;KSC815,NPN,400mW,TO-92,T		△ ...2 FD804S	3601-000300	FUSE-CARTRIDGE;250V,6.3A,SLOW-BLOW,GLASS	
...3 R13	2001-000812	R-CARBON;5.6KOHM,5%,1/8W,AA,TP,1.8X3.2M		△ ...2 FD855S	3601-000300	FUSE-CARTRIDGE;250V,6.3A,SLOW-BLOW,GLASS	
...3 R14	2001-000812	R-CARBON;5.6KOHM,5%,1/8W,AA,TP,1.8X3.2M		△ ...2 FP801S	3601-000300	FUSE-CARTRIDGE;250V,6.3A,SLOW-BLOW,GLASS	
...3 R15	2001-000812	R-CARBON;5.6KOHM,5%,1/8W,AA,TP,1.8X3.2M		△ ...2 IC801S	AA96-00035A	ASSY-H/S;- ,POWER,AA62-30181P,STR-F6656,	
...3 R16	2001-000812	R-CARBON;5.6KOHM,5%,1/8W,AA,TP,1.8X3.2M		...3	0205-000129	GREASE-SILICON;SC102,JAPAN	
...3 R17	2001-000429	R-CARBON;1KOHM,5%,1/8W,AA,TP,1.8X3.2MM		...3	6003-000333	SCREW-TAPTITE;RH,+ ,2S,M3,L10,ZPC(YEL),SW	
...3 R18	2001-000429	R-CARBON;1KOHM,5%,1/8W,AA,TP,1.8X3.2MM		...3	AA13-00018A	IC-HYBRID;- ,STR-F6656,LF1351,5PIN,-,-	
...3 R19	2001-000645	R-CARBON;330KOHM,5%,1/8W,AA,TP,1.8X3.2M		...3	AA62-30181P	HEAT-SINK,ES;- ,T1.0,WHITE,SCREW-HOLE[2	
...3 R20	2001-000645	R-CARBON;330KOHM,5%,1/8W,AA,TP,1.8X3.2M		△ ...2 IC804	1203-001400	IC-POWER PRESCALER;SE110N,TO-220Q(SIP),3P	
...3 R21	2001-000645	R-CARBON;330KOHM,5%,1/8W,AA,TP,1.8X3.2M					

Loc. No.	Code No.	Description ; Specification	Remark
△ .2	LX801S	AA29-30002L	FILTER-LINE NOISE,-,10mHMIN,5A,AC90-260V
△ .2	LX802S	AA29-30002M	FILTER-LINE NOISE,-,1mHMIN,5A,AC90-260V,
△ .2	LX803S	AA29-30002M	FILTER-LINE NOISE,-,1mHMIN,5A,AC90-260V,
△ .2	NT801S	1404-001195	THERMISTOR-NTC;5.1ohm,15%,2900,27mW/C,BK
△ .2	PC801S	0604-001032	PHOTO-COUPLER;TR,170-260%,300mW,DIP-4,ST
.2	PCB	AA41-00342A	PCB-POWER;PCL545R,CEM-1,1LA,1.6T,330X24
.2	R817	2009-001096	R-METAL PLATE;0.07ohm,5%,5V,CL,BK,5x14x1
.2	R841	2008-001096	R-FUSIBLE(S);3.30HM,5%,1/2W,AC,BK,2.5X6
△ .2	T801S	AA26-00099A	TRANS SWITCHING;EER5345,PCL544R,AC220V,1
.2		0202-000187	SOLDER-WIRE FLUX,-,RS60S,D1.2,63Sn/37Pb
.2		AA99-20081T	ASSY-PCB SUB,AUTO; AA95-00799A ,V S.N.A
...3	C809	2201-000551	C-CERAMIC,DISC;0.47nF,10%,1kV,Y5P,TP,6.3
...3	C814	2201-002041	C-CERAMIC,DISC;0.82nF,10%,2kV,Y5P,TP,9x5
...3	C815	2201-000406	C-CERAMIC,DISC;0.27nF,10%,2kV,Y5P,TP,6.3
...3	C816	2201-000332	C-CERAMIC,DISC;2.2nF,20%,250V,Y5U,TP,9x4
...3	C817	2201-000332	C-CERAMIC,DISC;2.2nF,20%,250V,Y5U,TP,9x4
...3	C818	2301-001216	C-FILM,PPF;47nF,5%,630V,TP,20x14.5x2,7
...3	C819	2201-000332	C-CERAMIC,DISC;2.2nF,20%,250V,Y5U,TP,9x4
...3	C833	2201-000292	C-CERAMIC,DISC;1nF,10%,50V,Y5P,TP,5x3.5
...3	C834	2401-003028	C-AL;100uF,20%,25V,WT,TP,6.3x11,5
...3	C851	2201-000551	C-CERAMIC,DISC;0.47nF,10%,1kV,Y5P,TP,6.3
...3	C852	2401-000133	C-AL;1000uF,20%,16V,GP,TP,10x20,5
...3	C853	2401-000603	C-AL;1uF,20%,50V,GP,TP,5x11,5
...3	C854	2201-000551	C-CERAMIC,DISC;0.47nF,10%,1kV,Y5P,TP,6.3
...3	C855	2401-000703	C-AL;2200uF,20%,25V,GP,-,12.5x25mm,
...3	C861	2201-000551	C-CERAMIC,DISC;0.47nF,10%,1kV,Y5P,TP,6.3
...3	C864	2201-000551	C-CERAMIC,DISC;0.47nF,10%,1kV,Y5P,TP,6.3
...3	C871	2201-000551	C-CERAMIC,DISC;0.47nF,10%,1kV,Y5P,TP,6.3
...3	C872	2401-000703	C-AL;2200uF,20%,25V,GP,-,12.5x25mm,
...3	C874	2201-000551	C-CERAMIC,DISC;0.47nF,10%,1kV,Y5P,TP,6.3
...3	C877	2305-000427	C-FILM,MPEF;47nF,5%,100V,TP,7.5x12.5x3,5
△ ...3	D834	0402-000546	DIODE-RECTIFIER;TVR10G,400V,1.0A,DO-41,T
△ ...3	D843	0402-000546	DIODE-RECTIFIER;TVR10G,400V,1.0A,DO-41,T
△ ...3	D851	0402-000493	DIODE-RECTIFIER;1R5GU41,400V,1.5A,DO-15L
△ ...3	D853	0402-000132	DIODE-RECTIFIER;1N4004,400V,1A,DO-41,TP
...3	DZ858	0403-001325	DIODE-ZENER;MTZJ15C,14.35-15.09V,500mW,D
...3	F801A	3602-000114	FUSE-HOLDER,-,30mohm
...3	F801B	3602-000114	FUSE-HOLDER,-,30mohm
...3	F802A	3602-000114	FUSE-HOLDER,-,30mohm
...3	F802B	3602-000114	FUSE-HOLDER,-,30mohm
...3	F804A	3602-000114	FUSE-HOLDER,-,30mohm
...3	F804B	3602-000114	FUSE-HOLDER,-,30mohm
...3	F855A	3602-000114	FUSE-HOLDER,-,30mohm
...3	F855B	3602-000114	FUSE-HOLDER,-,30mohm
△ ...3	FD805S	3601-001086	FUSE-AXIAL LEAD;125V,5A,FAST-ACTING,GLAS
△ ...3	FD806S	3601-001065	FUSE-AXIAL LEAD;125V,3.5A,FAST-ACTING,CE
△ ...3	FD854S	3601-001086	FUSE-AXIAL LEAD;125V,5A,FAST-ACTING,GLAS
△ ...3	FD871S	3601-001086	FUSE-AXIAL LEAD;125V,5A,FAST-ACTING,GLAS
...3	L806	2901-000297	FILTER-EMI ON BOARD,-,3A,-,3.5x5,TP-
...3	L807	2901-000297	FILTER-EMI ON BOARD,-,3A,-,3.5x5,TP-
...3	L808	3301-000287	CORE-FERRITE BEAD;AA,3.5x1.0x6.0mm,1500,
...3	L810	2901-000297	FILTER-EMI ON BOARD,-,3A,-,3.5x5,TP-
...3	L811	2901-000297	FILTER-EMI ON BOARD,-,3A,-,3.5x5,TP-
...3	L812	2901-000297	FILTER-EMI ON BOARD,-,3A,-,3.5x5,TP-
...3	L813	2901-000297	FILTER-EMI ON BOARD,-,3A,-,3.5x5,TP-
...3	L814	3301-000287	CORE-FERRITE BEAD;AA,3.5x1.0x6.0mm,1500,
...3	L815	2901-000297	FILTER-EMI ON BOARD,-,3A,-,3.5x5,TP-
...3	L816	2901-000297	FILTER-EMI ON BOARD,-,3A,-,3.5x5,TP-
...3	L831	3301-000287	CORE-FERRITE BEAD;AA,3.5x1.0x6.0mm,1500,
...3	L832	3301-000287	CORE-FERRITE BEAD;AA,3.5x1.0x6.0mm,1500,
...3	L851	2901-000297	FILTER-EMI ON BOARD,-,3A,-,3.5x5,TP-
...3	L857	2901-000297	FILTER-EMI ON BOARD,-,3A,-,3.5x5,TP-
...3	L859	2901-000297	FILTER-EMI ON BOARD,-,3A,-,3.5x5,TP-
...3	Q801	0501-000389	TR-SMALL SIGNAL;KSC815,NPN,400mW,TO-92,T
...3	R808	2001-000085	R-CARBON(S);100KOHM,5%,1/2W,AA,TP,2.4X6
...3	R808A	2001-000085	R-CARBON(S);100KOHM,5%,1/2W,AA,TP,2.4X6
...3	R812	2003-002170	R-METAL OXIDE(S);15Kohm,5%,2W,AG,TP,3.9x
...3	R814	2003-002170	R-METAL OXIDE(S);15Kohm,5%,2W,AG,TP,3.9x
...3	R815	2003-000512	R-METAL OXIDE(S);15Kohm,5%,3W,AA,TP,6x16
...3	R815A	2003-000512	R-METAL OXIDE(S);15Kohm,5%,3W,AA,TP,6x16
...3	R832	2001-001178	R-CARBON(S);680OHM,5%,1/2W,AA,TP,2.4X6.4
...3	R834	2001-001097	R-CARBON(S);2.4KOHM,5%,1/2W,AA,TP,2.4X6
...3	R837	2001-001097	R-CARBON(S);2.4KOHM,5%,1/2W,AA,TP,2.4X6
...3	R838	2001-001097	R-CARBON(S);2.4KOHM,5%,1/2W,AA,TP,2.4X6
...3	R855	2001-001196	R-CARBON(S);9.1KOHM,5%,1/2W,AA,TP,2.4X6
...3	R871	2001-001088	R-CARBON(S);1KOHM,5%,1/2W,AA,TP,2.4X6.4M
...3	R872	2001-000066	R-CARBON(S);10KOHM,5%,1/2W,AA,TP,2.4X6.4

Loc. No.	Code No.	Description ; Specification	Remark
...3	R873	2004-004366	R-METAL(S);1.3Kohm,1%,1/2W,AA,TP,2.5x6.5
...3	R874	2001-000734	R-CARBON;4.7KOHM,5%,1/8W,AA,TP,1.8X3.2M
...3	R875	2004-004366	R-METAL(S);1.3Kohm,1%,1/2W,AA,TP,2.5x6.5
△ ...3	RP801S	2002-001010	R-COMPOSITION;1.8Mohm,5%,1/2W,AA,TP,3.7x
△ ...3	RX801S	2002-001011	R-COMPOSITION;3.3Mohm,5%,1/2W,AA,TP,3.7x
△ ...3	RY801S	2002-001013	R-COMPOSITION;4.7Mohm,5%,1/2W,AA,TP,3.7x
△ ...3	VP801S	1405-000152	VARISTOR;560V,2500A,14x8.5mm,TP
△ ...3	VX801S	1405-000187	VARISTOR;750V,1250A,12.5x7mm,TP

## ASSY-PCB,TERMINAL

Loc. No.	Code No.	Description ; Specification	Remark
1		*AA95-00716A ASSY-PCB,TERMINAL,-,PCL545R,P54A	
.2	CNT01	3711-003630	CONNECTOR-HEADER;BOX,32P,2R,2.54mm,ANGLE
.2	CNT02	3711-003630	CONNECTOR-HEADER;BOX,32P,2R,2.54mm,ANGLE
.2	CNY01	3711-003601	CONNECTOR-HEADER;BOX,12P,1R,2.5mm,ANGLE,
.2	IC703	0904-001121	IC-I/O SUPPORT CHIP;8574,8BIT,DIP,16P,30
.2	IC705	0801-000213	IC-CMOS LOGIC;4052,MULTIPLEXER,DIP,16P,3
.2	ICD01	1204-001510	IC-SEPARATOR;EL4583CN,DIP,16P,-,PLASTIC,
.2	ICD02	0801-000284	IC-CMOS LOGIC;4528,MULTIVIBRATOR,DIP,16P
.2	ICD03	1204-001510	IC-SEPARATOR;EL4583CN,DIP,16P,-,PLASTIC,
.2	JKV02	3722-001039	JACK-RCA;9P,3.4mm,SN,BLK,#16-22
.2	JKV03	3722-001382	JACK-RCA;5P(9P),3.4MM,NI,R/W/G/BLUE,-
.2	JKV04	3722-001382	JACK-RCA;5P(9P),3.4MM,NI,R/W/G/BLUE,-
.2	JKV08	3722-000544	JACK-VHS;4P,11.5mm,AG,BLK,N
.2	RD18	2001-000954	R-CARBON;750KOHM,5%,1/8W,AA,TP,1.8X3.2M
.2		0202-001167	SOLDER-CREAM;RX3603-2330HO,S45A,PASTE,SN
.2		0202-000187	SOLDER-WIRE FLUX,-,RS60S,D1.2,63Sn/37Pb
.2		AA99-20091R	ASSY-PCB SUB,AUTO; AA95-00716A ,V
.2		2401-002009	C-AL;100uF,20%,16V,GP,TP,6.3x7,5
...3	C701	2203-000181	C-CERAMIC,CHIP;100nF,+80-20%,25V,Y5V,TP,
...3	C702	2203-000815	C-CERAMIC,CHIP;0.033nF,5%,50V,NP0,TP,160
...3	C704	2203-000815	C-CERAMIC,CHIP;0.033nF,5%,50V,NP0,TP,160
...3	C705	2203-000815	C-CERAMIC,CHIP;0.033nF,5%,50V,NP0,TP,160
...3	C706	2203-000975	C-CERAMIC,CHIP;47nF,10%,25V,X7R,TP,1608,
...3	C707	2203-000975	C-CERAMIC,CHIP;47nF,10%,25V,X7R,TP,1608,
...3	C708	2203-000975	C-CERAMIC,CHIP;47nF,10%,25V,X7R,TP,1608,
...3	C709	2203-000975	C-CERAMIC,CHIP;47nF,10%,25V,X7R,TP,1608,
...3	C710	2203-000975	C-CERAMIC,CHIP;47nF,10%,25V,X7R,TP,1608,
...3	C711	2203-000975	C-CERAMIC,CHIP;47nF,10%,25V,X7R,TP,1608,
...3	C712	2203-000181	C-CERAMIC,CHIP;100nF,+80-20%,25V,Y5V,TP,
...3	C713	2203-000975	C-CERAMIC,CHIP;47nF,10%,25V,X7R,TP,1608,
...3	C714	2203-000975	C-CERAMIC,CHIP;47nF,10%,25V,X7R,TP,1608,
...3	C715	2203-000975	C-CERAMIC,CHIP;47nF,10%,25V,X7R,TP,1608,
...3	C716	2401-002009	C-AL;100uF,20%,50V,GP,TP,5x7,5
...3	C717	2203-000181	C-CERAMIC,CHIP;100nF,+80-20%,25V,Y5V,TP,
...3	C718	2203-000975	C-CERAMIC,CHIP;47nF,10%,25V,X7R,TP,1608,
...3	C719	2203-000975	C-CERAMIC,CHIP;47nF,10%,25V,X7R,TP,1608,
...3	C720	2203-000975	C-CERAMIC,CHIP;47nF,10%,25V,X7R,TP,1608,
...3	C721	2203-000975	C-CERAMIC,CHIP;47nF,10%,25V,X7R,TP,1608,
...3	C722	2203-000975	C-CERAMIC,CHIP;47nF,10%,25V,X7R,TP,1608,
...3	C723	2203-000181	C-CERAMIC,CHIP;100nF,+80-20%,25V,Y5V,TP,
...3	C724	2203-000975	C-CERAMIC,CHIP;47nF,10%,25V,X7R,TP,1608,
...3	C727	2203-000975	C-CERAMIC,CHIP;47nF,10%,25V,X7R,TP,1608,
...3	C730	2401-002299	C-AL;4.7uF,20%,50V,GP,TP,5x7,5
...3	C731	2401-002299	C-AL;4.7uF,20%,50V,GP,TP,5x7,5
...3	C732	2203-000440	C-CERAMIC,CHIP;1nF,10%,50V,X7R,TP,1608,-
...3	C733	2203-000440	C-CERAMIC,CHIP;1nF,10%,50V,X7R,TP,1608,-
...3	C734	2203-000440	C-CERAMIC,CHIP;1nF,10%,50V,X7R,TP,1608,-
...3	C735	2203-000440	C-CERAMIC,CHIP;1nF,10%,50V,X7R,TP,1608,-
...3	C736	2203-000440	C-CERAMIC,CHIP;1nF,10%,50V,X7R,TP,1608,-
...3	C737	2203-000440	C-CERAMIC,CHIP;1nF,10%,50V,X7R,TP,1608,-
...3	C738	2401-002009	C-AL;100uF,20%,16V,GP,TP,6.3x7,5
...3	C739	2203-000181	C-CERAMIC,CHIP;100nF,+80-20%,25V,Y5V,TP,
...3	C740	2401-002009	C-AL;100uF,20%,16V,GP,TP,6.3x7,5
...3	C741	2203-000181	C-CERAMIC,CHIP;100nF,+80-20%,25V,Y5V,TP,
...3	C760	2401-000667	C-AL;2.2uF,20%,50V,WT,TP,5x11,5
...3	C761	2401-000667	C-AL;2.2uF,20%,50V,WT,TP,5x11,5
...3	C762	2401-000667	C-AL;2.2uF,20%,50V,WT,TP,5x11,5
...3	C763	2401-000667	C-AL;2.2uF,20%,50V,WT,TP,5x11,5
...3	C764	2401-000667	C-AL;2.2uF,20%,50V,WT,TP,5x11,5
...3	C765	2401-000667	C-AL;2.2uF,20%,50V,WT,TP,5x11,5
...3	C766	2401-000667	C-AL;2.2uF,20%,50V,WT,TP,5x11,5
...3	C767	2401-000667	C-AL;2.2uF,20%,50V,WT,TP,5x11,5
...3	C768	2203-000975	C-CERAMIC,CHIP;47nF,10%,25V,X7R,TP,1608,
...3	C769	2203-000975	C-CERAMIC,CHIP;47nF,10%,25V,X7R,TP,1608,

Loc. No.	Code No.	Description ; Specification	Remark	Loc. No.	Code No.	Description ; Specification	Remark
...3	C780	2401-002009	C-AL;100uF,20%,16V,GP,TP,6.3x7,5	...3	R734	2007-000097	R-CHIP;47Kohm,5%,1/16W,DA,TP,1608
...3	CD01	2401-002183	C-AL;220uF,20%,16V,GP,TP,8x9,5mm	...3	R735	2007-000097	R-CHIP;47Kohm,5%,1/16W,DA,TP,1608
...3	CD02	2203-000181	C-CERAMIC,CHIP;100nF,+80-20%,25V,Y5V,TP,	...3	R740	2007-000078	R-CHIP;1Kohm,5%,1/16W,DA,TP,1608
...3	CD03	2401-000471	C-AL;10uF,20%,50V,BP,TP,5x11,5mm	...3	R741	2007-000078	R-CHIP;1Kohm,5%,1/16W,DA,TP,1608
...3	CD04	2203-000181	C-CERAMIC,CHIP;100nF,+80-20%,25V,Y5V,TP,	...3	R742	2007-000078	R-CHIP;1Kohm,5%,1/16W,DA,TP,1608
...3	CD05	2203-000681	C-CERAMIC,CHIP;0.027nF,5%,50V,NP0,TP,160	...3	R743	2007-000078	R-CHIP;1Kohm,5%,1/16W,DA,TP,1608
...3	CD06	2401-000471	C-AL;10uF,20%,50V,BP,TP,5x11,5mm	...3	R744	2007-000078	R-CHIP;1Kohm,5%,1/16W,DA,TP,1608
...3	CD07	2203-000181	C-CERAMIC,CHIP;100nF,+80-20%,25V,Y5V,TP,	...3	R745	2007-000078	R-CHIP;1Kohm,5%,1/16W,DA,TP,1608
...3	CD08	2203-000181	C-CERAMIC,CHIP;100nF,+80-20%,25V,Y5V,TP,	...3	R748	2007-000084	R-CHIP;4.7Kohm,5%,1/16W,DA,TP,1608
...3	CD09	2203-000440	C-CERAMIC,CHIP;1nF,10%,50V,X7R,TP,1608,-	...3	R749	2007-000100	R-CHIP;68Kohm,5%,1/16W,DA,TP,1608
...3	CD10	2203-000257	C-CERAMIC,CHIP;10nF,10%,50V,X7R,TP,1608	...3	R750	2007-000100	R-CHIP;68Kohm,5%,1/16W,DA,TP,1608
...3	CD11	2401-000404	C-AL;10uF,20%,16V,BP,TP,5x11,5	...3	R751	2007-000100	R-CHIP;68Kohm,5%,1/16W,DA,TP,1608
...3	CD12	2401-000404	C-AL;10uF,20%,16V,BP,TP,5x11,5	...3	R752	2007-000100	R-CHIP;68Kohm,5%,1/16W,DA,TP,1608
...3	CD13	2203-000181	C-CERAMIC,CHIP;100nF,+80-20%,25V,Y5V,TP,	...3	R753	2007-000329	R-CHIP;11Kohm,5%,1/16W,DA,TP,1608
...3	CD14	2203-000181	C-CERAMIC,CHIP;100nF,+80-20%,25V,Y5V,TP,	...3	R754	2007-000329	R-CHIP;11Kohm,5%,1/16W,DA,TP,1608
...3	CD15	2203-000181	C-CERAMIC,CHIP;100nF,+80-20%,25V,Y5V,TP,	...3	R755	2007-000100	R-CHIP;68Kohm,5%,1/16W,DA,TP,1608
...3	CD16	2401-000471	C-AL;10uF,20%,50V,BP,TP,5x11,5mm	...3	R756	2007-000100	R-CHIP;68Kohm,5%,1/16W,DA,TP,1608
...3	CD17	2401-000471	C-AL;10uF,20%,50V,BP,TP,5x11,5mm	...3	R757	2007-000100	R-CHIP;68Kohm,5%,1/16W,DA,TP,1608
...3	CD18	2203-000681	C-CERAMIC,CHIP;0.027nF,5%,50V,NP0,TP,160	...3	R758	2007-000100	R-CHIP;68Kohm,5%,1/16W,DA,TP,1608
...3	IC701	1001-001030	IC-VIDEO SWITCH;TDA6920X,-,SOP,28P,300MI	...3	R759	2007-000084	R-CHIP;4.7Kohm,5%,1/16W,DA,TP,1608
...3	IC702	1001-001030	IC-VIDEO SWITCH;TDA6920X,-,SOP,28P,300MI	...3	R760	2007-000074	R-CHIP;100ohm,5%,1/16W,DA,TP,1608
...3	L701	2702-001094	INDUCTOR-RADIAL;10uH,10%,6x4mm	...3	R761	2007-000122	R-CHIP;1.2Kohm,5%,1/16W,DA,TP,1608
...3	L702	2702-001094	INDUCTOR-RADIAL;10uH,10%,6x4mm	...3	R762	2007-000074	R-CHIP;100ohm,5%,1/16W,DA,TP,1608
...3	L711	2702-001094	INDUCTOR-RADIAL;10uH,10%,6x4mm	...3	R763	2007-000074	R-CHIP;100ohm,5%,1/16W,DA,TP,1608
...3	L720	2702-001094	INDUCTOR-RADIAL;10uH,10%,6x4mm	...3	R764	2007-000122	R-CHIP;1.2Kohm,5%,1/16W,DA,TP,1608
...3	L721	2702-001094	INDUCTOR-RADIAL;10uH,10%,6x4mm	...3	R765	2007-000074	R-CHIP;100ohm,5%,1/16W,DA,TP,1608
...3	L722	2702-001094	INDUCTOR-RADIAL;10uH,10%,6x4mm	...3	R766	2007-000074	R-CHIP;100ohm,5%,1/16W,DA,TP,1608
...3	L723	2702-001094	INDUCTOR-RADIAL;10uH,10%,6x4mm	...3	R767	2007-000074	R-CHIP;100ohm,5%,1/16W,DA,TP,1608
...3	L724	2702-001094	INDUCTOR-RADIAL;10uH,10%,6x4mm	...3	R768	2007-000074	R-CHIP;100ohm,5%,1/16W,DA,TP,1608
...3	L725	2702-001094	INDUCTOR-RADIAL;10uH,10%,6x4mm	...3	R769	2007-000074	R-CHIP;100ohm,5%,1/16W,DA,TP,1608
...3	L726	2702-001094	INDUCTOR-RADIAL;10uH,10%,6x4mm	...3	R774	2007-001167	R-CHIP;75ohm,5%,1/16W,DA,TP,1608
...3	LD01	2901-000297	FILTER-EMI ON BOARD;-3A,-,-3.5x5,TP,-	...3	R775	2007-000070	R-CHIP;0ohm,5%,1/16W,DA,TP,1608
...3	LD02	2901-000297	FILTER-EMI ON BOARD;-3A,-,-3.5x5,TP,-	...3	R776	2007-001167	R-CHIP;75ohm,5%,1/16W,DA,TP,1608
...3	LD04	2901-000297	FILTER-EMI ON BOARD;-3A,-,-3.5x5,TP,-	...3	R777	2007-001167	R-CHIP;75ohm,5%,1/16W,DA,TP,1608
...3	PCB	AA41-00343A	PCB-TERMINAL;PCL545R,FR-4,2L,A,1.6T,180X	...3	R779	2007-001167	R-CHIP;75ohm,5%,1/16W,DA,TP,1608
...3	Q701	0501-000727	TR-SMALL SIGNAL;BC848C,NPN,310mW,SOT-23,	...3	R780	2007-000078	R-CHIP;1Kohm,5%,1/16W,DA,TP,1608
...3	Q702	0501-000727	TR-SMALL SIGNAL;BC848C,NPN,310mW,SOT-23,	...3	R788	2007-000078	R-CHIP;1Kohm,5%,1/16W,DA,TP,1608
...3	Q703	0501-000727	TR-SMALL SIGNAL;BC848C,NPN,310mW,SOT-23,	...3	R791	2007-000074	R-CHIP;100ohm,5%,1/16W,DA,TP,1608
...3	Q704	0501-000727	TR-SMALL SIGNAL;BC848C,NPN,310mW,SOT-23,	...3	R792	2007-000074	R-CHIP;100ohm,5%,1/16W,DA,TP,1608
...3	Q705	0501-000727	TR-SMALL SIGNAL;BC848C,NPN,310mW,SOT-23,	...3	R793	2007-000074	R-CHIP;100ohm,5%,1/16W,DA,TP,1608
...3	Q706	0501-000727	TR-SMALL SIGNAL;BC848C,NPN,310mW,SOT-23,	...3	R794	2007-000074	R-CHIP;100ohm,5%,1/16W,DA,TP,1608
...3	Q707	0501-000727	TR-SMALL SIGNAL;BC848C,NPN,310mW,SOT-23,	...3	R795	2007-000070	R-CHIP;0ohm,5%,1/16W,DA,TP,1608
...3	Q711	0501-000727	TR-SMALL SIGNAL;BC848C,NPN,310mW,SOT-23,	...3	R796	2007-000070	R-CHIP;0ohm,5%,1/16W,DA,TP,1608
...3	Q712	0501-000727	TR-SMALL SIGNAL;BC848C,NPN,310mW,SOT-23,	...3	R797	2007-000070	R-CHIP;0ohm,5%,1/16W,DA,TP,1608
...3	Q714	0501-000727	TR-SMALL SIGNAL;BC848C,NPN,310mW,SOT-23,	...3	R820	2007-000070	R-CHIP;0ohm,5%,1/16W,DA,TP,1608
...3	QD01	0501-000344	TR-SMALL SIGNAL;KSC1623-G,NPN,200mW,SOT-	...3	R821	2007-000070	R-CHIP;0ohm,5%,1/16W,DA,TP,1608
...3	QD02	0501-000344	TR-SMALL SIGNAL;KSC1623-G,NPN,200mW,SOT-	...3	R829	2007-000078	R-CHIP;1Kohm,5%,1/16W,DA,TP,1608
...3	QD03	0501-000344	TR-SMALL SIGNAL;KSC1623-G,NPN,200mW,SOT-	...3	R830	2007-001167	R-CHIP;75ohm,5%,1/16W,DA,TP,1608
...3	QD04	0501-000344	TR-SMALL SIGNAL;KSC1623-G,NPN,200mW,SOT-	...3	RD01	2007-000084	R-CHIP;4.7Kohm,5%,1/16W,DA,TP,1608
...3	R701	2007-000074	R-CHIP;100ohm,5%,1/16W,DA,TP,1608	...3	RD02	2007-000084	R-CHIP;4.7Kohm,5%,1/16W,DA,TP,1608
...3	R702	2007-000078	R-CHIP;1Kohm,5%,1/16W,DA,TP,1608	...3	RD03	2007-000094	R-CHIP;22Kohm,5%,1/16W,DA,TP,1608
...3	R703	2007-001167	R-CHIP;75ohm,5%,1/16W,DA,TP,1608	...3	RD04	2007-000096	R-CHIP;30Kohm,5%,1/16W,DA,TP,1608
...3	R704	2007-001157	R-CHIP;75ohm,5%,1/16W,DA,TP,1608	...3	RD05	2007-000078	R-CHIP;1Kohm,5%,1/16W,DA,TP,1608
...3	R705	2007-001167	R-CHIP;75ohm,5%,1/16W,DA,TP,1608	...3	RD06	2007-000090	R-CHIP;10Kohm,5%,1/16W,DA,TP,1608
...3	R706	2007-001167	R-CHIP;75ohm,5%,1/16W,DA,TP,1608	...3	RD07	2007-000106	R-CHIP;220Kohm,5%,1/16W,DA,TP,1608
...3	R707	2007-000084	R-CHIP;4.7Kohm,5%,1/16W,DA,TP,1608	...3	RD08	2007-000090	R-CHIP;10Kohm,5%,1/16W,DA,TP,1608
...3	R708	2007-000074	R-CHIP;100ohm,5%,1/16W,DA,TP,1608	...3	RD09	2007-000087	R-CHIP;6.8Kohm,5%,1/16W,DA,TP,1608
...3	R709	2007-000074	R-CHIP;100ohm,5%,1/16W,DA,TP,1608	...3	RD11	2007-000124	R-CHIP;2.2Kohm,5%,1/16W,DA,TP,1608
...3	R710	2007-000074	R-CHIP;100ohm,5%,1/16W,DA,TP,1608	...3	RD12	2007-000913	R-CHIP;43Kohm,5%,1/16W,DA,TP,1608
...3	R712	2007-000074	R-CHIP;100ohm,5%,1/16W,DA,TP,1608	...3	RD13	2007-000090	R-CHIP;10Kohm,5%,1/16W,DA,TP,1608
...3	R713	2007-000074	R-CHIP;100ohm,5%,1/16W,DA,TP,1608	...3	RD14	2007-000124	R-CHIP;2.2Kohm,5%,1/16W,DA,TP,1608
...3	R714	2007-000074	R-CHIP;100ohm,5%,1/16W,DA,TP,1608	...3	RD15	2007-000097	R-CHIP;47Kohm,5%,1/16W,DA,TP,1608
...3	R715	2007-001167	R-CHIP;75ohm,5%,1/16W,DA,TP,1608	...3	RD16	2007-000090	R-CHIP;10Kohm,5%,1/16W,DA,TP,1608
...3	R716	2007-001167	R-CHIP;75ohm,5%,1/16W,DA,TP,1608	...3	RD17	2007-000090	R-CHIP;10Kohm,5%,1/16W,DA,TP,1608
...3	R717	2007-001167	R-CHIP;75ohm,5%,1/16W,DA,TP,1608	...3	RD19	2007-000084	R-CHIP;4.7Kohm,5%,1/16W,DA,TP,1608
...3	R718	2007-001167	R-CHIP;75ohm,5%,1/16W,DA,TP,1608	...3	RD20	2007-000084	R-CHIP;4.7Kohm,5%,1/16W,DA,TP,1608
...3	R719	2007-001167	R-CHIP;75ohm,5%,1/16W,DA,TP,1608	...3	RD21	2007-000078	R-CHIP;1Kohm,5%,1/16W,DA,TP,1608
...3	R720	2007-000078	R-CHIP;1Kohm,5%,1/16W,DA,TP,1608	...3	RN701	2011-000160	R-NETWORK;10Kohm,5%,1/8W,A,SIP,9P,TP
...3	R721	2007-000074	R-CHIP;100ohm,5%,1/16W,DA,TP,1608	...3	RP784	2007-000070	R-CHIP;0ohm,5%,1/16W,DA,TP,1608
...3	R722	2007-001167	R-CHIP;75ohm,5%,1/16W,DA,TP,1608	...3	RY701	2007-001167	R-CHIP;75ohm,5%,1/16W,DA,TP,1608
...3	R723	2007-000074	R-CHIP;100ohm,5%,1/16W,DA,TP,1608	...3	RY702	2007-001167	R-CHIP;75ohm,5%,1/16W,DA,TP,1608
...3	R724	2007-000074	R-CHIP;100ohm,5%,1/16W,DA,TP,1608	...3	RY703	2007-001167	R-CHIP;75ohm,5%,1/16W,DA,TP,1608
...3	R725	2007-001167	R-CHIP;75ohm,5%,1/16W,DA,TP,1608				
...3	R726	2007-001167	R-CHIP;75ohm,5%,1/16W,DA,TP,1608				
...3	R727	2007-001167	R-CHIP;75ohm,5%,1/16W,DA,TP,1608				
...3	R728	2007-001167	R-CHIP;75ohm,5%,1/16W,DA,TP,1608				
...3	R729	2007-001167	R-CHIP;75ohm,5%,1/16W,DA,TP,1608				

Loc. No.	Code No.	Description ; Specification	Remark
<b>ASSY-PCB,V/M</b>			
1	*AA95-00714A	ASSY-PCB,V/M;PCL545R,P54A	
.2	CNZ101	AA39-20055E LEAD CONNECTOR-ASSY;6P,YBNH025-06,67096	
.2	PCB	AA41-00344A PCB-VM;PCL545R,FR-1,1L,A,1.6T,245X245	
.2	QZ101	AA96-50162F ASSY-H/S;-POWVER,AA62-30013E,2SA1011,30	
...	0502-000131	TR-POWER;2SA1011-D,PNP,1.2W,TO-220,-60	
...	6003-000333	SCREW-TAPTITE;RH,+2S,M3,L10,ZPC(YEL),SW	
...	AA62-30013E	HEAT-SINK,ES;-A6063 EXTR,-,30(21) T02	
.2	QZ102	AA96-50162G ASSY-H/S;-AMP,AA62-30013E,2SC2344,30MM	
...	0502-000153	TR-POWER;2SC2344-D,NPN,1.2W,TO-220,-60	
...	6003-000333	SCREW-TAPTITE;RH,+2S,M3,L10,ZPC(YEL),SW	
...	AA62-30013E	HEAT-SINK,ES;-A6063 EXTR,-,30(21) T02	
.2	RZ120	2008-001097 R-FUSIBLE(S);330HM,5%,1/2W,AC,BK,2.5X6.5	
.2	0202-000187	SOLDER-WIRE FLUX;-RS60S,D1.2,63Sn/37Pb	
.2	AA99-20080N	ASSY-PCB SUB,AUTO; AA95-00714A ,V S.N.A	
...	3711-002642	CONNECTOR-HEADER;BOX,3P,1R,2.5MM,STRAIGH	
...	3711-002642	CONNECTOR-HEADER;BOX,3P,1R,2.5MM,STRAIGH	
...	3711-002642	CONNECTOR-HEADER;BOX,3P,1R,2.5MM,STRAIGH	
...	2401-002144	C-AL;47uF,20%,16V,GP,TP,5x11,5	
...	2401-001157	C-AL;33uF,20%,160V,GP,TP,12.5x20,5	
...	2201-000516	C-CERAMIC,DISC;4.7nF,+100-0%,500V,Y5U,TP	
...	2201-000193	C-CERAMIC,DISC;0.01nF,0.25pF,50V,NPO,TP	
...	2201-000516	C-CERAMIC,DISC;4.7nF,+100-0%,500V,Y5U,TP	
...	2201-000193	C-CERAMIC,DISC;0.01nF,0.25pF,50V,NPO,TP	
...	2401-001513	C-AL;47uF,20%,16V,WT,TP,5x11,5	
...	2401-001220	C-AL;4.7uF,20%,160V,GP,TP,8x11.5,5	
...	2401-001220	C-AL;4.7uF,20%,160V,GP,TP,8x11.5,5	
...	2201-000604	C-CERAMIC,DISC;0.056nF,+100-0%,500V,SL,T	
...	2401-000480	C-AL;10uF,20%,50V,GP,TP,5x11,5	
...	2401-000832	C-AL;220uF,20%,25V,GP,TP,8x11.5,5	
...	0402-000546	DIODE-RECTIFIER;TVR10G,400V,1.0A,DO-41,T	
...	0401-000005	DIODE-SWITCHING;1N4148,100V,200mA,DO-35,	
...	0402-000546	DIODE-RECTIFIER;TVR10G,400V,1.0A,DO-41,T	
...	0402-000546	DIODE-RECTIFIER;TVR10G,400V,1.0A,DO-41,T	
...	0401-000005	DIODE-SWITCHING;1N4148,100V,200mA,DO-35,	
...	0401-000005	DIODE-SWITCHING;1N4148,100V,200mA,DO-35,	
...	2701-000002	INDUCTOR-AXIAL;100uH,10%,4.2x9.8mm	
...	0501-000283	TR-SMALL SIGNAL;KSA539,PNP,400mW,TO-92,T	
...	0501-000389	TR-SMALL SIGNAL;KSC815,NPN,400mW,TO-92,T	
...	0501-000389	TR-SMALL SIGNAL;KSC815,NPN,400mW,TO-92,T	
...	0501-000389	TR-SMALL SIGNAL;KSC815,NPN,400mW,TO-92,T	
...	2008-001086	R-FUSIBLE(S);3.3ohm,5%,2W,AG,TP,3.9x12mm	
...	2001-000241	R-CARBON;1.5KOHM,5%,1/8W,AA,TP,1.8X3.2M	
...	2001-000221	R-CARBON;1.2KOHM,5%,1/8W,AA,TP,1.8X3.2M	
...	2003-000713	R-METAL OXIDE(S);47ohm,5%,2W,AF,TP,4x12m	
...	2001-001100	R-CARBON(S);2.7OHM,5%,1/2W,AA,TP,2.4X6.4	
...	2001-001139	R-CARBON(S);39KOHM,5%,1/2W,AA,TP,2.4X6.4	
...	2001-001139	R-CARBON(S);39KOHM,5%,1/2W,AA,TP,2.4X6.4	
...	2001-000331	R-CARBON;12KOHM,5%,1/8W,AA,TP,1.8X3.2MM	
...	2001-000241	R-CARBON;1.5KOHM,5%,1/8W,AA,TP,1.8X3.2M	
...	2001-000221	R-CARBON;1.2KOHM,5%,1/8W,AA,TP,1.8X3.2M	
...	2001-001100	R-CARBON(S);2.7OHM,5%,1/2W,AA,TP,2.4X6.4	
...	2003-000713	R-METAL OXIDE(S);47ohm,5%,2W,AF,TP,4x12m	
...	2003-002157	R-METAL OXIDE;220OHM,5%,2W,AG,TP,6X16MM	
...	2003-002157	R-METAL OXIDE;220OHM,5%,2W,AG,TP,6X16MM	
...	2003-000532	R-METAL OXIDE(S);18ohm,5%,2W,AF,TP,4x12m	
...	2001-000832	R-CARBON;510OHM,5%,1/8W,AA,TP,1.8X3.2MM	
...	2001-000331	R-CARBON;12KOHM,5%,1/8W,AA,TP,1.8X3.2MM	
...	2001-000258	R-CARBON;1.8KOHM,5%,1/8W,AA,TP,1.8X3.2M	
...	2001-000258	R-CARBON;1.8KOHM,5%,1/8W,AA,TP,1.8X3.2M	
...	2001-000554	R-CARBON;270OHM,5%,1/8W,AA,TP,1.8X3.2MM	
...	2001-000666	R-CARBON;330OHM,5%,1/8W,AA,TP,1.8X3.2MM	
...	2001-000019	R-CARBON(S);10OHM,5%,1/2W,AA,TP,2.4X6.4M	
...	2003-002157	R-METAL OXIDE;220OHM,5%,2W,AG,TP,6X16MM	
.2	3301-001201	CORE-FERRITE;AE,21x11x32mm,1500,280G	
.2	6003-001023	SCREW-TAPTITE;RWH,+B,M3,L10,ZPC(YEL),SW	
.2	AA33-00008A	MAGNET CONVERGENCE;JH92LTU-36A,7inchPRRT,	

**ASSY-PCB,SUB**

1	*AA95-00705A	ASSY-PCB,SUB;PCL545R,P54A	
---	--------------	---------------------------	--

Loc. No.	Code No.	Description ; Specification	Remark
.2	C432	2306-000267 C-FILM,MPPF;8.2nF,5%,1.6KV,TP,28.5x18.5x	
.2	C438	2306-000267 C-FILM,MPPF;8.2nF,5%,1.6KV,TP,28.5x18.5x	
.2	C445	2401-001622 C-AL;6.8uF,20%,50V,BP,TP,16x25mm,7	
.2	C481	2401-002235 C-AL;10uF,20%,16V,GP,TP,5x11mm,5mm	
.2	C491	2306-000322 C-FILM,MPPF;12nF,5%,1.6KV,TP,29x20.5x13,	
.2	C876	2401-000787 C-AL;220uF,20%,160V,GP,TP,16x31.5mm	
.2	CNZ202	AA39-00116A LEAD CONNECTOR-ASSY;12P,YBNH250-12,3515	
.2	CN801	AA39-00180A LEAD CONNECTOR ASSY;14P,YBNH250-14,3515	
.2	CN802	3711-003974 CONNECTOR-HEADER;BOX,12P,1R,2.5mm,STRAIG	
.2	CN803	3711-003974 CONNECTOR-HEADER;BOX,12P,1R,2.5mm,STRAIG	
.2	CNW801	AA39-20061G LEAD CONNECTOR-ASSY;3P,YFH800-03,S,100M	
.2	CNZ02	AA39-00115A LEAD CONNECTOR-ASSY;10P,YBNH250-10,3515	
△	CR430S	2301-001343 C-FILM,MPPF;3.9nF,5%,2kV,TP,29x9.5x16mm,	
△	CR431S	2301-001343 C-FILM,MPPF;3.9nF,5%,2kV,TP,29x9.5x16mm,	
△	CR436S	2306-000235 C-FILM,MPPF;560nF,5%,400V,TP,26*22.5*14,	
△	CR471S	2301-001091 C-FILM,MPPF;470nF,5%,400V,TP,26x21.5x14.	
△	CR473S	2306-000322 C-FILM,MPPF;12nF,5%,1.6KV,TP,29x20.5x13,	
△	CR474S	2306-000326 C-FILM,MPPF;4.7nF,5%,1.6KV,TP,28.5x16x9mm	
.2	CS803	2401-003370 C-AL;47uF,20%,450V,GP,BK,16X35.5,7.	
△	CY811S	2201-000446 C-CERAMIC,DISC;3.3nF,20%,400V,Y5U,TP,15x	
△	CY812S	2201-000446 C-CERAMIC,DISC;3.3nF,20%,400V,Y5U,TP,15x	
.2	D464	0402-000236 DIODE-RECTIFIER;G1824,400V,5A,-,TP	
△	D811S	0402-000102 DIODE-BRIDGE;D2S860,600V,1.5A,-	
.2	IC301	AA96-50406A ASSY-H/S;-AA62-30180K,LA7845,-	
...	0205-000129	GREASE-SILICON;SC102,JAPAN	
...	1204-000517	IC-VERTICAL DEF;LA7845,SIP7P,-,PLASTIC	
...	6003-000333	SCREW-TAPTITE;RH,+2S,M3,L10,ZPC(YEL),SW	
...	AA62-30180K	HEAT SINK-ES;-A6063 EXTR,-,WHT,50/13,-	
.2	IC421	1203-000165 IC-POSI.ADJJUST REG.-.78R12,TO-220,3P,-,	
.2	IC430	1203-000162 IC-POSI.ADJJUST REG.-.317,TO-220,3P,-,PLAS	
.2	IC431	1201-000191 IC-OP AMP;A458,DIP8P,300MIL,DUAL,20V/mV	
.2	IC471	1203-000610 IC-PWM CONTROLLER;494,DIP,16P,300MIL,PLA	
.2	IC801	AA13-00024A IC-HYBRID;-TNY253P,-8PIN,-	
.2	IC807	AA96-00111P ASSY H/S;-MAIN,AA62-30013L,KA278RA05,F	
...	1203-001978	IC-VOLTAGE REGULATOR;KA278RA05,TO-220F,4	
...	6003-000333	SCREW-TAPTITE;RH,+2S,M3,L10,ZPC(YEL),SW	
...	AA62-30013L	HEATSINK-ES;-44/22,-,WHT,-,-,-	
.2	ICZ103	AA96-00034A ASSY-H/S;-CONVERGENCE,AA62-30173D,STK3	
...	0205-000129	GREASE-SILICON;SC102,JAPAN	
...	1201-001225	IC-VIDEO AMP;392,SIP22P,-,TRIPLE,-,PLAS	
...	6003-001021	SCREW-TAPTITE;RH,+B,M3,L15,ZPC(YEL),SWR	
...	AA62-30173D	HEAT SINK-ES;-T1.0,WHITE,SCREW-HOLE[2	
.2	ICZ104	AA96-00034A ASSY-H/S;-CONVERGENCE,AA62-30173D,STK3	
.2	L432	AA27-00095A COIL HORIZ. WIDTH;-600uH,YL9N 15x27.5 C	
.2	L434	AA27-00174A COILHORIZ.WIDTH;600UH,600UH,SB-5SOS6X20,	
.2	L435	AA27-10001C COIL-CHOKE;-100uH,K,-,5.0A,ST,700UH-K(R	
.2	L482	3301-000374 CORE-FERRITE BEAD;AA,3.5x1.0x9.0mm,-,-	
.2	L494	3301-000374 CORE-FERRITE BEAD;AA,3.5x1.0x9.0mm,-,-	
.2	L854	AA27-10001C COIL-CHOKE;-100uH,K,-,5.0A,ST,700UH-K(R	
.2	L860	AA27-10001C COIL-CHOKE;-100uH,K,-,5.0A,ST,700UH-K(R	
.2	L862	AA27-10001C COIL-CHOKE;-100uH,K,-,5.0A,ST,700UH-K(R	
.2	L872	AA27-10001C COIL-CHOKE;-100uH,K,-,5.0A,ST,700UH-K(R	
.2	L874	AA27-10002L COIL-CHOKE;-24UH,K,-,2A,-,24UH-K,10X10M	
△	LC431S	AA27-30003M COIL-LINEARLITY;-5uH,OWA14x15,USRCO.1x6	
△	PC811S	0604-001032 PHOTO-COUPLER;TR,170-260%,300mW,DIP,4,ST	
.2	PCB	AA41-00340B PCB-SUB;PCL545R,CEM-1,1L,B,1.6T,330X24	
.2	Q353	0502-000442 TR-POWER;2SC4636RB,NPN,2W,TO-220,ST,10-	
.2	Q431	AA96-00033E ASSY H/S;-H-OUT,AA62-30173C,2SC5446, F	
...	AA02-00007A	MICA;DPM-04,MICA,22x29x0.15mm	
...	AA62-30173C	HEAT SINK-ES;-T1.0,WHITE,SCREW-HOLE[2	
...	AA60-30001A	WASHER-PLATE;M3,ID3.5,15X8.5,T1.0,-,SBHG	
...	6003-000333	SCREW-TAPTITE;RH,+2S,M3,L10,ZPC(YEL),SW	
...	0502-001175	TR-POWER;2SC5446,NPN,200000mW,TO-3PL,BK	
...	0402-001296	DIODE-RECTIFIER;FMP-3FU,1.5KV,5A,TO-3PF,	
...	0205-000129	GREASE-SILICON;SC102,JAPAN	
.2	Q433	AA96-50407A ASSY-H/S;-AA62-30154G,KSD73Y,-	
...	0205-000129	GREASE-SILICON;SC102,JAPAN	
...	0502-000298	TR-POWER;KSD73,NPN,30000mW,TO-220,TP,12	
...	6003-000333	SCREW-TAPTITE;RH,+2S,M3,L10,ZPC(YEL),SW	
...	AA62-30154G	HEAT SINK-ES;-A6063 EXTR,-,WHT,50/16,-,	
.2	Q441	AA96-50383F ASSY-H/S;-AA62-30180D,2SD921,-	
...	0205-000129	GREASE-SILICON;SC102,JAPAN	
...	0502-001104	TR-POWER;2SD921,NPN,80W,TO-3PBK,700-	
...	6003-000333	SCREW-TAPTITE;RH,+2S,M3,L10,ZPC(YEL),SW	
...	AA62-30180D	HEAT SINK-ES;-A6063 EXTR,-,2,WHT,50mm,-	
.2	Q473	AA96-00037A ASSY-H/S;-AA62-30181N,2SC4125, IRFS5	
...	0502-001100	TR-POWER;2SC4125,NPN,70W,TO-3PML,BK,8-	



Loc. No.	Code No.	Description ; Specification	Remark
...3	AA62-30181N	HEAT-SINK,ES;- ,T1.0,WHITE,SCREW-HOLE(2	
...3	AA60-30001A	WASHER-PLATE;M3,1D3.5,15X8.5,T1.0,-,SBHG	
...3	6003-000333	SCREW-TAPTITE;RH,+2S,M3,L10,ZPC(YEL),SW	
...3	0505-001202	FET-SILICON;IRFS640A,N,200V,9.8A,0.18ohm	
...3	0205-000129	GREASE-SILICON;SC102,JAPAN	
△.2	RL811S	3501-001053 RELAY-POWER;5Vdc,530mW,10A,1FormA,15mS,5	
△.2	RL812S	3501-001040 RELAY-POWER;12VDC,500mW,10A,1FormA,15mS,	
△.2	T431	AA26-50001U TRANS-HORIZ DRIVE;- ,28mH,105uH,4uH,ER28x	
△.2	T432	AA26-00012A TRANS-DUMMY;- ,1.3MH,EER4445,110V/7.6V/21	
△.2	T433	AA26-00011A TRANS-DUMMY;- ,3.5MH,EE2834,-,BK	
△.2	T444S	AA26-00100A TRANS FBT;FA97513L,CT29A7DR,0.3mH,-,-,	
△.2	T461	AA26-50001V TRANS-HORIZ DRIVE;- ,6.0mH,113uH,4uH,E119	
△.2	T481	AA26-00091A TRANS-HV-STORAGE;4mH,- ,14P,830uH,180V,10	
△.2	TS811S	AA26-00055B TRANS SWITCHING;HLK436W,AC80V,AC80-280V	
...2	AA65-30104B	CLAMP-WIRE;NYLON 66,V2,BLK,W2 Z5,ALL MOD	
...2	0202-000187	SOLDER-WIRE FLUX;- ,RS60S,D1.2,63Sn/37	
...2	AA99-20081X	ASSY-PCB SUB,AUTO; AA95-00705A /V	S.N.A
...3	C301	2305-000427 C-FILM,MPEF;47nF,5%,100V,TP,7.5x12.5x3.5	
...3	C302	2201-000292 C-CERAMIC,DISC;1nF,10%,50V,Y5P,TP,5x3.5,	
...3	C303	2305-000427 C-FILM,MPEF;47nF,5%,100V,TP,7.5x12.5x3.5	
...3	C304	2201-000292 C-CERAMIC,DISC;1nF,10%,50V,Y5P,TP,5x3.5,	
...3	C305	2201-002022 C-CERAMIC,DISC;0.005nF,0.25pF,500V,NPO,T	
...3	C307	2401-000365 C-AL;100uF,20%,50V,WT,TP,10x12.5mm,	
...3	C308	2401-000365 C-AL;100uF,20%,50V,WT,TP,10x12.5mm,	
...3	C309	2305-000285 C-FILM,MPEF;220nF,5%,100V,TP,10.5X5.5X15	
...3	C311	2305-000149 C-FILM,MPEF;100nF,5%,100V,TP,12x12.5x6.5	
...3	C351	2401-000471 C-AL;10uF,20%,50V,BP,TP,5x11.5mm	
...3	C352	2401-001989 C-AL;4.7uF,20%,50V,BP,TP,5x11.5	
...3	C353	2401-000480 C-AL;10uF,20%,50V,GP,TP,5x11.5	
...3	C354	2401-002300 C-AL;47uF,20%,50V,GP,TP,6.3x11.5	
...3	C355	2201-000991 C-CERAMIC,DISC;0.56nF,10%,2kV,Y5P,TP,7.5	
...3	C405	2201-000558 C-CERAMIC,DISC;0.47nF,10%,50V,Y5P,TP,5x3	
...3	C406	2201-000370 C-CERAMIC,DISC;0.22nF,10%,50V,Y5P,TP,4x3	
...3	C412	2301-000383 C-FILM,PEF;10nF,5%,50V,TP,6x7x3.2mm,5mm	
...3	C413	2401-000360 C-AL;100uF,20%,50V,GP,TP,8x11.5.5	
...3	C417	2401-001397 C-AL;470uF,20%,25V,GP,TP,10x16.5	
...3	C418	2401-000360 C-AL;100uF,20%,50V,GP,TP,8x11.5.5	
...3	C419	2201-000180 C-CERAMIC,DISC;10nF,10%,50V,Y5V,TP,7x3.5	
...3	C426	2401-000360 C-AL;100uF,20%,50V,GP,TP,8x11.5.5	
...3	C427	2401-002300 C-AL;47uF,20%,50V,GP,TP,6.3x11.5	
...3	C428	2306-000122 C-FILM,MPPF;100nF,5%,50V,TP,7.3x4.0x5.0m	
...3	C429	2305-000704 C-FILM,MPEF;100nF,5%,250V,TP,16.5x10.3x5	
...3	C437	2401-000314 C-AL;4.7uF,20%,250V,WT,TP,10x16.5	
...3	C450	2401-000262 C-AL;100uF,20%,160V,HR,TP,16x25,7.5	
...3	C451	2401-001160 C-AL;33uF,20%,160V,GP,-,16x35mm,7.5	
...3	C452	2201-000132 C-CERAMIC,DISC;0.1nF,10%,500V,Y5P,TP,6.5	
...3	C453	2401-002288 C-AL;470uF,20%,25V,WT,TP,10x20.5	
...3	C454	2401-001428 C-AL;470uF,20%,50V,GP,TP,10x20.5	
...3	C455	2201-000132 C-CERAMIC,DISC;0.1nF,10%,500V,Y5P,TP,6.5	
...3	C456	2401-001527 C-AL;47uF,20%,250V,HR,TP,13x25mm,5m	
...3	C457	2201-000132 C-CERAMIC,DISC;0.1nF,10%,500V,Y5P,TP,6.5	
...3	C458	2401-002288 C-AL;470uF,20%,25V,WT,TP,10x20.5	
...3	C459	2201-000132 C-CERAMIC,DISC;0.1nF,10%,500V,Y5P,TP,6.5	
...3	C460	2303-000331 C-FILM,PPF;4.7nF,5%,630V,TP,19.5x12x7.7.	
...3	C467	2401-000360 C-AL;100uF,20%,50V,GP,TP,8x11.5.5	
...3	C468	2201-000119 C-CERAMIC,DISC;100nF,+80-20%,50V,Y5V,TP,	
...3	C469	2201-000180 C-CERAMIC,DISC;10nF,10%,50V,Y5V,TP,7x3.5	
...3	C472	2401-000262 C-AL;100uF,20%,160V,HR,TP,16x25,7.5	
...3	C476	2401-001989 C-AL;4.7uF,20%,50V,BP,TP,5x11.5	
...3	C477	2301-000213 C-FILM,PEF;220nF,5%,250V,TP,21.5x11.7,5	
...3	C478	2301-000020 C-FILM,PEF;27nF,5%,100V,TP,7.3x4x12.5mm,	
...3	C479	2301-000200 C-FILM,PEF;2.2nF,5%,200V,TP,11.0x6.0x9.0	
...3	C480	2306-000122 C-FILM,MPPF;100nF,5%,50V,TP,7.3x4.0x5.0m	
...3	C483	2401-000660 C-AL;2.2uF,20%,50V,GP,TP,5x11.5	
...3	C484	2201-000132 C-CERAMIC,DISC;0.1nF,10%,500V,Y5P,TP,6.5	
...3	C487	2305-000178 C-FILM,MPEF;10nF,5%,100V,TP,-,5mm	
...3	C488	2401-002144 C-AL;47uF,20%,16V,GP,TP,5x11.5	
...3	C489	2401-001840 C-AL;100uF,20%,16V,GP,TP,6.3x11.5	
...3	C490	2201-000119 C-CERAMIC,DISC;100nF,+80-20%,50V,Y5V,TP,	
...3	C492	2401-001026 C-AL;3.3UF,20%,50V,GP,TP,5X11.5	
...3	C857	2401-000133 C-AL;1000uF,20%,16V,GP,TP,10x20.5	
...3	C866	2401-000192 C-AL;1000uF,20%,50V,GP,TP,16x25,7.5	
...3	C869	2401-000192 C-AL;1000uF,20%,50V,GP,TP,16x25,7.5	
...3	C873	2401-001998 C-AL;1000uF,20%,25V,GP,TP,10x20.5mm	
...3	CN401	3711-002645 CONNECTOR-HEADER;BOX,6P,1R,2.5MM,STRAIGH	
...3	CN403	3711-002642 CONNECTOR-HEADER;BOX,3P,1R,2.5MM,STRAIGH	
△.3	CR401S	2401-001026 C-AL;3.3UF,20%,50V,GP,TP,5X11.5	

Loc. No.	Code No.	Description ; Specification	Remark
△.3	CR402S	2201-000146 C-CERAMIC,DISC;0.1nF,5%,50V,SL,TP,5x3.5,	
△.3	CR403S	2201-000146 C-CERAMIC,DISC;0.1nF,5%,50V,SL,TP,5x3.5,	
...3	CS804	2201-000119 C-CERAMIC,DISC;100nF,+80-20%,50V,Y5V,TP,	
...3	CS805	2401-001101 C-AL;330uF,20%,16V,GP,TP,8x11.5.5	
...3	CS807	2201-000119 C-CERAMIC,DISC;100nF,+80-20%,50V,Y5V,TP,	
...3	CS808	2401-002463 C-AL;470uF,20%,16V,GP,TP,8x11.5.5	
...3	CS809	2201-000556 C-CERAMIC,DISC;0.47nF,10%,500V,Y5P,TP,5.	
...3	CS812	2201-002076 C-CERAMIC,DISC;0.068nF,5%,1kV,SL,TP,8x4m	
...3	CS813	2201-000332 C-CERAMIC,DISC;2.2nF,20%,250V,Y5U,TP,9x4	
...3	CS814	2201-000332 C-CERAMIC,DISC;2.2nF,20%,250V,Y5U,TP,9x4	
...3	CZ101	2401-001428 C-AL;470uF,20%,50V,GP,TP,10x20.5	
...3	CZ102	2401-001428 C-AL;470uF,20%,50V,GP,TP,10x20.5	
...3	CZ108	2201-000499 C-CERAMIC,DISC;0.39nF,5%,50V,SL,TP,8.5x3	
...3	CZ109	2201-000499 C-CERAMIC,DISC;0.39nF,5%,50V,SL,TP,8.5x3	
...3	CZ110	2201-000499 C-CERAMIC,DISC;0.39nF,5%,50V,SL,TP,8.5x3	
...3	CZ111	2201-000976 C-CERAMIC,DISC;0.022nF,5%,50V,NPO,TP,5x3	
...3	CZ112	2201-000863 C-CERAMIC,DISC;0.68nF,10%,50V,Y5P,TP,5x3	
...3	CZ113	2201-000976 C-CERAMIC,DISC;0.022nF,5%,50V,NPO,TP,5x3	
...3	CZ114	2201-000863 C-CERAMIC,DISC;0.68nF,10%,50V,Y5P,TP,5x3	
...3	CZ115	2201-000976 C-CERAMIC,DISC;0.022nF,5%,50V,NPO,TP,5x3	
...3	CZ116	2201-000863 C-CERAMIC,DISC;0.68nF,10%,50V,Y5P,TP,5x3	
...3	CZ117	2201-000327 C-CERAMIC,DISC;2.2nF,10%,50V,Y5V,TP,6.5x	
...3	CZ118	2201-000327 C-CERAMIC,DISC;2.2nF,10%,50V,Y5V,TP,6.5x	
...3	CZ126	2201-000499 C-CERAMIC,DISC;0.39nF,5%,50V,SL,TP,8.5x3	
...3	CZ127	2201-000499 C-CERAMIC,DISC;0.39nF,5%,50V,SL,TP,8.5x3	
...3	CZ128	2201-000499 C-CERAMIC,DISC;0.39nF,5%,50V,SL,TP,8.5x3	
...3	CZ132	2201-000976 C-CERAMIC,DISC;0.022nF,5%,50V,NPO,TP,5x3	
...3	CZ133	2201-000863 C-CERAMIC,DISC;0.68nF,10%,50V,Y5P,TP,5x3	
...3	CZ134	2201-000976 C-CERAMIC,DISC;0.022nF,5%,50V,NPO,TP,5x3	
...3	CZ135	2201-000863 C-CERAMIC,DISC;0.022nF,5%,50V,Y5P,TP,5x3	
...3	CZ136	2201-000976 C-CERAMIC,DISC;0.022nF,5%,50V,NPO,TP,5x3	
...3	CZ137	2201-000863 C-CERAMIC,DISC;0.68nF,10%,50V,Y5P,TP,5x3	
...3	CZ138	2201-000327 C-CERAMIC,DISC;2.2nF,10%,50V,Y5V,TP,6.5x	
...3	CZ139	2201-000327 C-CERAMIC,DISC;2.2nF,10%,50V,Y5V,TP,6.5x	
...3	CZ151	2202-000796 C-CERAMIC,MLC-AXIAL;1nF,10%,50V,Y5P,TP,3	
...3	CZ152	2202-000796 C-CERAMIC,MLC-AXIAL;1nF,10%,50V,Y5P,TP,3	
...3	CZ153	2202-000796 C-CERAMIC,MLC-AXIAL;1nF,10%,50V,Y5P,TP,3	
...3	CZ154	2202-000796 C-CERAMIC,MLC-AXIAL;1nF,10%,50V,Y5P,TP,3	
...3	CZ155	2202-000796 C-CERAMIC,MLC-AXIAL;1nF,10%,50V,Y5P,TP,3	
...3	CZ156	2202-000796 C-CERAMIC,MLC-AXIAL;1nF,10%,50V,Y5P,TP,3	
...3	D302	0402-000546 DIODE-RECTIFIER;TVR10G,400V,1.0A,DO-41,T	
...3	D353	0401-000005 DIODE-SWITCHING;1N4148,100V,200mA,DO-35,	
...3	D384	0402-000132 DIODE-RECTIFIER;1N4004,400V,1A,DO-41,TP	
...3	D385	0401-000005 DIODE-SWITCHING;1N4148,100V,200mA,DO-35,	
...3	D433	0402-000537 DIODE-RECTIFIER;RH1A,600V,0.6A,DO-204AC	
...3	D434	0402-000546 DIODE-RECTIFIER;TVR10G,400V,1.0A,DO-41,T	
...3	D435	0402-000132 DIODE-RECTIFIER;1N4004,400V,1A,DO-41,TP	
...3	D436	0401-000005 DIODE-SWITCHING;1N4148,100V,200mA,DO-35,	
...3	D440	0402-000534 DIODE-RECTIFIER;RG10V,400V,1.2A,DO-201,T	
...3	D441	0402-000534 DIODE-RECTIFIER;RG10V,400V,1.2A,DO-201,T	
...3	D442	0401-000005 DIODE-SWITCHING;1N4148,100V,200mA,DO-35,	
...3	D443	0401-000005 DIODE-SWITCHING;1N4148,100V,200mA,DO-35,	
...3	D444	0402-000546 DIODE-RECTIFIER;TVR10G,400V,1.0A,DO-41,T	
...3	D445	0402-000534 DIODE-RECTIFIER;RG10V,400V,1.2A,DO-201,T	
...3	D451	0402-000534 DIODE-RECTIFIER;RG10V,400V,1.2A,DO-201,T	
...3	D453	0402-001286 DIODE-RECTIFIER;RP1H,2000V,1A,-,TP	
...3	D472	0402-000546 DIODE-RECTIFIER;TVR10G,400V,1.0A,DO-41,T	
...3	D474	0402-000546 DIODE-RECTIFIER;TVR10G,400V,1.0A,DO-41,T	
...3	D477	0401-000005 DIODE-SWITCHING;1N4148,100V,200mA,DO-35,	
...3	D478	0401-000005 DIODE-SWITCHING;1N4148,100V,200mA,DO-35,	
...3	D479	0401-000005 DIODE-SWITCHING;1N4148,100V,200mA,DO-35,	
...3	D480	0402-000132 DIODE-RECTIFIER;1N4004,400V,1A,DO-41,TP	
...3	D484	0402-000132 DIODE-RECTIFIER;1N4004,400V,1A,DO-41,TP	
...3	D501	0402-000132 DIODE-RECTIFIER;1N4004,400V,1A,DO-41,TP	
△.3	DR401S	0401-000005 DIODE-SWITCHING;1N4148,100V,200mA,DO-35,	
△.3	DR402S	0401-000005 DIODE-SWITCHING;1N4148,100V,200mA,DO-35,	
△.3	DR404S	0403-001325 DIODE-ZENER;MTZJ15C,14.35-15.09V,500mW,D	
...3	DS805	0404-001056 DIODE-SCHOTTKY;RK16,60V,1.5A,DO-204AC,TP	
...3	DS807	0402-000546 DIODE-RECTIFIER;TVR10G,400V,1.0A,DO-41,T	
...3	DS809	0404-001056 DIODE-SCHOTTKY;RK16,60V,1.5A,DO-204AC,TP	
...3	DZ301	0403-001327 DIODE-ZENER;MTZJ18A,16.22-17.06V,500mW,D	
...3	DZ304	0403-001327 DIODE-ZENER;MTZJ18A,16.22-17.06V,500mW,D	
...3	DZ305	0403-001329 DIODE-ZENER;MTZJ24B,22.61-23.77V,500mW,D	
...3	DZ306	0403-001330 DIODE-ZENER;MTZJ30A,26.99-28.39V,500mW,D	
...3	DZ307	0403-001329 DIODE-ZENER;MTZJ24B,22.61-23.77V,500mW,D	
...3	DZ386	0403-001316 DIODE-ZENER;MTZJ3.0A,2.85-3.07V,500mW,DO	
...3	DZ395	0403-001319 DIODE-ZENER;MTZJ4.7C,4.68-4.93V,500mW,DO	

Electrical Parts List

Loc. No.	Code No.	Description ; Specification	Remark	Loc. No.	Code No.	Description ; Specification	Remark
...	DZ400	0403-001325	DIODE-ZENER;MTZJ15C,14.35-15.09V,500mW,D	...	R359	2001-000109	R-CARBON(S);470OHM,5%,1/2W,AA,TP,2.4X6.4
...	DZ413	0403-001319	DIODE-ZENER;MTZJ4.7C,4.68-4.93V,500mW,DO	...	R360	2001-000723	R-CARBON;4.3KOHM,5%,1/8W,AA,TP,1.8X3.2M
...	DZ473	0403-000720	DIODE-ZENER;MTZJ9.1B,9.1V,8.57-9.01V,500	...	R361	2004-001395	R-METAL(S);330Kohm,2%,1/2W,AA,TP,2.4x6.4
...	DZ474	0403-000734	DIODE-ZENER;TZP15B,15V,14.7-16.5V,1W,DO-	...	R362	2004-001395	R-METAL(S);330Kohm,2%,1/2W,AA,TP,2.4x6.4
...	DZ481	0403-001327	DIODE-ZENER;MTZJ18A,16.22-17.06V,500mW,D	...	R363	2004-001395	R-METAL(S);330Kohm,2%,1/2W,AA,TP,2.4x6.4
△	DZ482S	0403-000720	DIODE-ZENER;MTZJ9.1B,9.1V,8.57-9.01V,500	...	R364	2004-001395	R-METAL(S);330Kohm,2%,1/2W,AA,TP,2.4x6.4
...	DZ483	0403-000720	DIODE-ZENER;MTZJ9.1B,9.1V,8.57-9.01V,500	...	R365	2004-001395	R-METAL(S);330Kohm,2%,1/2W,AA,TP,2.4x6.4
...	DZ801	0406-001106	DIODE-TVS;P6KE300A,285/-/315V,600W,DO-20	...	R366	2002-001006	R-COMPOSITION;4.7Kohm,5%,1/2W,AA,TP,3.7x
...	DZ802	0406-001106	DIODE-TVS;P6KE300A,285/-/315V,600W,DO-20	...	R384	2001-001150	R-CARBON(S);470KOHM,5%,1/2W,AA,TP,2.4X6.
...	DZ803	0403-000508	DIODE-ZENER;MTZJ5.6B,5.6V,5.45-5.73V,500	...	R385	2001-000577	R-CARBON;2KOHM,5%,1/8W,AA,TP,1.8X3.2MM
...	DZ804	0403-000716	DIODE-ZENER;MTZJ4.7B,4.7V,4.55-4.8V,500m	...	R386	2001-000786	R-CARBON;47KOHM,5%,1/8W,AA,TP,1.8X3.2MM
...	DZ805	0403-001322	DIODE-ZENER;MTZJ8.2B,7.78-8.19V,500mW,DO	...	R387	2001-000009	R-CARBON;20KOHM,5%,1/8W,AA,TP,1.8X3.2MM
...	DZ806	0403-000691	DIODE-ZENER;R2K,170V,170-200V,-,TP	...	R388	2001-000522	R-CARBON;2KOHM,5%,1/8W,AA,TP,1.8X3.2MM
...	DZ807	0403-000734	DIODE-ZENER;TZP15B,15V,14.7-16.5V,1W,DO-	...	R389	2001-000577	R-CARBON;2KOHM,5%,1/8W,AA,TP,1.8X3.2MM
△	ICR01S	1203-001217	IC-POSI.ADJUST REG.;431,TO-92,3P4,58MIL	...	R397	2001-000429	R-CARBON;1KOHM,5%,1/8W,AA,TP,1.8X3.2MM
...	L341	2701-000116	INDUCTOR-AXIAL;10uH,10%,4.2x9.8mm	...	R405	2009-001109	R-TEMPERATURE;240ohm,5%,1/4W,AA,TP,2.3x6
...	L480	2901-000297	FILTER-EMI ON BOARD;-3A,-,3.5x5,TP-	...	R406	2004-001983	R-METAL(S);2.49Kohm,1%,1/2W,AA,TP,2.4x6.
...	L481	3301-000287	CORE-FERRITE BEAD;AA,3.5x1.0x6.0mm,1500,	...	R407	2004-001897	R-METAL(S);43.2Kohm,1%,1/2W,AA,TP,2.5x6.
...	L483	2901-000299	FILTER-EMI ON BOARD;-6A,UL/CSA,-,9x7.5,	...	R408	2004-001402	R-METAL(S);6.8Kohm,1%,1/2W,AA,TP,2.4x6.4
...	L492	3301-000287	CORE-FERRITE BEAD;AA,3.5x1.0x6.0mm,1500,	...	R409	2001-001178	R-CARBON(S);6800HM,5%,1/2W,AA,TP,2.4X6.4
...	L493	3301-000287	CORE-FERRITE BEAD;AA,3.5x1.0x6.0mm,1500,	...	R410	2001-000052	R-CARBON(S);3.3KOHM,5%,1/2W,AA,TP,2.4X6.
...	L495	3301-000287	CORE-FERRITE BEAD;AA,3.5x1.0x6.0mm,1500,	...	R411	2008-001113	R-FUSIBLE(S);0.22ohm,10%,2W,AG,TP,3.9x12
...	L499	2901-000297	FILTER-EMI ON BOARD;-3A,-,3.5x5,TP-	...	R412	2001-000362	R-CARBON;150OHM,5%,1/8W,AA,TP,1.8X3.2MM
...	LS801	2901-000297	FILTER-EMI ON BOARD;-3A,-,3.5x5,TP-	...	R413	2001-001088	R-CARBON(S);1KOHM,5%,1/2W,AA,TP,2.4X6.4M
...	LS802	2901-000297	FILTER-EMI ON BOARD;-3A,-,3.5x5,TP-	...	R414	2001-000734	R-CARBON;4.7KOHM,5%,1/8W,AA,TP,1.8X3.2M
...	LZ107	2701-000142	INDUCTOR-AXIAL;1uH,10%,2.5x3.4mm	...	R415	2001-000734	R-CARBON;4.7KOHM,5%,1/8W,AA,TP,1.8X3.2M
...	LZ108	2701-000142	INDUCTOR-AXIAL;1uH,10%,2.5x3.4mm	...	R416	2001-000006	R-CARBON;2.4KOHM,5%,1/8W,AA,TP,1.8X3.2M
...	LZ109	2701-000142	INDUCTOR-AXIAL;1uH,10%,2.5x3.4mm	...	R417	2001-000515	R-CARBON;220OHM,5%,1/8W,AA,TP,1.8X3.2MM
...	LZ110	2701-000142	INDUCTOR-AXIAL;1uH,10%,2.5x3.4mm	...	R418	2001-000290	R-CARBON;10KOHM,5%,1/8W,AA,TP,1.8X3.2MM
...	LZ111	2701-000142	INDUCTOR-AXIAL;1uH,10%,2.5x3.4mm	...	R419	2001-000290	R-CARBON;10KOHM,5%,1/8W,AA,TP,1.8X3.2MM
...	LZ112	2701-000142	INDUCTOR-AXIAL;1uH,10%,2.5x3.4mm	...	R420	2001-000281	R-CARBON;100OHM,5%,1/8W,AA,TP,1.8X3.2MM
...	Q301	0501-000389	TR-SMALL SIGNAL;KSC815,NPN,400mW,TO-92,T	...	R421	2003-002159	R-METAL OXIDE;1500HM,5%,1W,AG,TP,4.3X12M
...	Q350	0501-000389	TR-SMALL SIGNAL;KSC815,NPN,400mW,TO-92,T	...	R422	2001-000028	R-CARBON(S);330Kohm,5%,1/2W,AA,TP,2.4X6.4
...	Q351	0501-000389	TR-SMALL SIGNAL;KSC815,NPN,400mW,TO-92,T	...	R423	2001-000613	R-CARBON;3.9KOHM,5%,1/8W,AA,TP,1.8X3.2M
...	Q352	0501-000366	TR-SMALL SIGNAL;KSC2330-Y,NPN,1W,TO-92L,	...	R424	2008-000299	R-FUSIBLE(S);47ohm,5%,2W,AF,TP,3.9x10mm
...	Q381	0501-000389	TR-SMALL SIGNAL;KSC815,NPN,400mW,TO-92,T	...	R425	2003-000417	R-METAL OXIDE(S);2Kohm,5%,3W,AA,TP,6x1
...	Q382	0501-000389	TR-SMALL SIGNAL;KSC815,NPN,400mW,TO-92,T	...	R426	2003-002153	R-METAL OXIDE;4.70HM,5%,2W,AG,TP,6X16MM
...	Q401	0501-000389	TR-SMALL SIGNAL;KSC815,NPN,400mW,TO-92,T	...	R427	2003-002152	R-METAL OXIDE;10HM,5%,2W,AG,TP,6X16MM
...	Q402	0501-000389	TR-SMALL SIGNAL;KSC815,NPN,400mW,TO-92,T	...	R427A	2003-002152	R-METAL OXIDE;10HM,5%,2W,AG,TP,6X16MM
...	Q421	0501-000389	TR-SMALL SIGNAL;KSC815,NPN,400mW,TO-92,T	...	R428	2002-001017	R-COMPOSITION;1Kohm,10%,1/2W,AA,TP,3.7x9
...	Q422	0505-000156	FET-SILICON;IRF620,N,200V,5A,0.8ohm,50W,	...	R428A	2002-001017	R-COMPOSITION;1Kohm,10%,1/2W,AA,TP,3.7x9
...	Q432	0501-000283	TR-SMALL SIGNAL;KSA539,PNP,400mW,TO-92,T	...	R429	2003-000586	R-METAL OXIDE(S);22Kohm,5%,2W,AF,TP,4x12
...	Q435	0501-000369	TR-SMALL SIGNAL;KSC2331-Y,NPN,1000mW,TO-	...	R430	2003-000586	R-METAL OXIDE(S);22Kohm,5%,2W,AF,TP,4x12
...	Q436	0501-000389	TR-SMALL SIGNAL;KSC815,NPN,400mW,TO-92,T	...	R432	2001-001144	R-CARBON(S);4.7KOHM,5%,1/2W,AA,TP,2.4X6.
...	Q451	0501-000389	TR-SMALL SIGNAL;KSC815,NPN,400mW,TO-92,T	...	R433	2001-001155	R-CARBON(S);5.6KOHM,5%,1/2W,AA,TP,2.4X6.
...	Q461	0501-000389	TR-SMALL SIGNAL;KSC815,NPN,400mW,TO-92,T	...	R434	2001-001093	R-CARBON(S);2.2KOHM,5%,1/2W,AA,TP,2.4X6.
...	Q471	0501-000389	TR-SMALL SIGNAL;KSC815,NPN,400mW,TO-92,T	...	R435	2001-001107	R-CARBON(S);220ohm,5%,1/2W,AA,TP,2.4x6.4
...	Q472	0505-000156	FET-SILICON;IRF620,N,200V,5A,0.8ohm,50W,	...	R436	2001-001182	R-CARBON(S);7.5KOHM,5%,1/2W,AA,TP,2.4X6.
...	Q474	0501-000389	TR-SMALL SIGNAL;KSC815,NPN,400mW,TO-92,T	...	R437	2008-001087	R-FUSIBLE(S);1.8ohm,5%,2W,AG,TP,3.9x12mm
...	Q481	0501-000389	TR-SMALL SIGNAL;KSC815,NPN,400mW,TO-92,T	...	R438	2001-000085	R-CARBON(S);10KOHM,5%,1/2W,AA,TP,2.4X6.
...	Q482	0501-000283	TR-SMALL SIGNAL;KSA539,PNP,400mW,TO-92,T	...	R439	2001-000085	R-CARBON(S);100KOHM,5%,1/2W,AA,TP,2.4X6.
△	QR401S	0501-000283	TR-SMALL SIGNAL;KSA539,PNP,400mW,TO-92,T	...	R440	2008-000282	R-FUSIBLE;0.47ohm,5%,1W,AA,TP,3.9x12mm
...	QS801	0501-000369	TR-SMALL SIGNAL;KSC2331-Y,NPN,1000mW,TO-	...	R441	2008-000253	R-FUSIBLE(S);0.47ohm,5%,1W,AF,TP,3.9x10m
...	QS802	0501-000389	TR-SMALL SIGNAL;KSC815,NPN,400mW,TO-92,T	...	R442	2008-000253	R-FUSIBLE(S);0.47ohm,5%,1W,AF,TP,3.9x10m
...	R301	2004-001897	R-METAL(S);43.2Kohm,1%,1/2W,AA,TP,2.5x6.	...	R442A	2008-000254	R-FUSIBLE(S);0.68ohm,5%,2W,AF,TP,3.9x10m
...	R302	2004-001897	R-METAL(S);43.2Kohm,1%,1/2W,AA,TP,2.5x6.	...	R443	2003-002156	R-METAL OXIDE;560OHM,5%,2W,AG,TP,6X16MM
...	R303	2004-001984	R-METAL(S);26.7Kohm,1%,1/2W,AA,TP,2.4x6.	...	R443A	2003-002156	R-METAL OXIDE;560OHM,5%,2W,AG,TP,6X16MM
...	R305	2004-001984	R-METAL(S);26.7Kohm,1%,1/2W,AA,TP,2.4x6.	...	R444	2003-000995	R-METAL OXIDE(S);3.3Kohm,5%,2W,AF,TP,3.9
...	R306	2003-002129	R-METAL OXIDE(S);3.9ohm,5%,2W,AF,TP,3.9x	...	R445	2008-000253	R-FUSIBLE(S);0.47ohm,5%,1W,AF,TP,3.9x10m
...	R307	2003-001036	R-METAL OXIDE(S);3.3ohm,5%,2W,AF,TP,3.9x	...	R446	2001-000734	R-CARBON;4.7KOHM,5%,1/8W,AA,TP,1.8X3.2M
...	R308	2001-000016	R-CARBON(S);10HM,5%,1/2W,AA,TP,2.4X6.4MM	...	R447	2008-000254	R-FUSIBLE(S);0.68ohm,5%,2W,AF,TP,3.9x10m
...	R310	2003-002009	R-METAL OXIDE(S);390ohm,5%,2W,AF,TP,3.9x	...	R448	2001-000258	R-CARBON;1.8KOHM,5%,1/8W,AA,TP,1.8X3.2M
...	R312	2001-000290	R-CARBON;10KOHM,5%,1/8W,AA,TP,1.8X3.2MM	...	R449	2008-000253	R-FUSIBLE(S);0.47ohm,5%,1W,AF,TP,3.9x10m
...	R313	2001-000761	R-CARBON;430OHM,5%,1/8W,AA,TP,1.8X3.2MM	...	R454	2001-000761	R-CARBON;430OHM,5%,1/8W,AA,TP,1.8X3.2MM
...	R314	2001-000761	R-CARBON;430OHM,5%,1/8W,AA,TP,1.8X3.2MM	...	R455	2001-000761	R-CARBON;430OHM,5%,1/8W,AA,TP,1.8X3.2MM
...	R332	2001-001107	R-CARBON(S);220ohm,5%,1/2W,AA,TP,2.4x6.4	...	R456	2001-000761	R-CARBON;430OHM,5%,1/8W,AA,TP,1.8X3.2MM
...	R333	2001-001107	R-CARBON(S);220ohm,5%,1/2W,AA,TP,2.4x6.4	...	R458	2001-000577	R-CARBON;2KOHM,5%,1/8W,AA,TP,1.8X3.2MM
...	R334	2001-001107	R-CARBON(S);220ohm,5%,1/2W,AA,TP,2.4x6.4	...	R459	2001-001192	R-CARBON(S);820OHM,5%,1/2W,AA,TP,2.4X6.4
...	R350	2001-000878	R-CARBON;6.2KOHM,5%,1/8W,AA,TP,1.8X3.2M	...	R460	2003-002044	R-METAL OXIDE(S);100ohm,5%,1W,AF,TP,2.5x
...	R351	2001-000008	R-CARBON;15KOHM,5%,1/8W,AA,TP,1.8X3.2MM	...	R461	2001-000613	R-CARBON;3.9KOHM,5%,1/8W,AA,TP,1.8X3.2M
...	R352	2001-000837	R-CARBON;51KOHM,5%,1/8W,AA,TP,1.8X3.2MM	...	R462	2008-001079	R-FUSIBLE;4.70HM,5%,2W,AF,TP,3.9X10MM
...	R353	2001-000660	R-CARBON;33KOHM,5%,1/8W,AA,TP,1.8X3.2MM	...	R463	2003-001024	R-METAL OXIDE(S);150ohm,5%,2W,AF,TP,3.9x
...	R354	2001-000734	R-CARBON;4.7KOHM,5%,1/8W,AA,TP,1.8X3.2M	...	R464	2003-002158	R-METAL OXIDE;0.68OHM,5%,1W,AG,TP,4.3X12
...	R355	2001-000857	R-CARBON;560OHM,5%,1/8W,AA,TP,1.8X3.2MM	...	R465	2008-000253	R-FUSIBLE(S);0.47ohm,5%,1W,AF,TP,3.9x10m
...	R356	2001-000591	R-CARBON;3.3KOHM,5%,1/8W,AA,TP,1.8X3.2M	...	R466	2004-001386	R-METAL(S);16.9Kohm,1%,1/2W,AA,TP,2.4x6.
...	R357	2001-000591	R-CARBON;3.3KOHM,5%,1/8W,AA,TP,1.8X3.2M	...	R467	2004-001986	R-METAL(S);35.7Kohm,1%,1/2W,AA,TP,2.4x6.
...	R358	2001-000857	R-CARBON;560OHM,5%,1/8W,AA,TP,1.8X3.2MM	...	R468	2001-001122	R-CARBON(S);3.9KOHM,5%,1/2W,AA,TP,2.4X6.

Loc. No.	Code No.	Description ; Specification	Remark	Loc. No.	Code No.	Description ; Specification	Remark	
...	R469	2001-001088	R-CARBON(S);1KOHM,5%,1/2W,AA,TP,2.4X6.4M	...	RZ129A	2003-002171	R-METAL OXIDE(S);150ohm,5%,2W,AG,TP,3.9x	
...	R470	2001-000028	R-CARBON(S);1000HM,5%,1/2W,AA,TP,2.4X6.4	...	RZ130	2003-002171	R-METAL OXIDE(S);150ohm,5%,2W,AG,TP,3.9x	
...	R471	2004-002011	R-METAL(S);110Kohm,1%,1/2W,AA,TP,2.4x6.4	...	RZ130A	2003-002171	R-METAL OXIDE(S);150ohm,5%,2W,AG,TP,3.9x	
...	R472	2008-000252	R-FUSIBLE(S);0.47ohm,10%,1/2W,AF,TP,2.5x	...	RZ131	2003-002171	R-METAL OXIDE(S);150ohm,5%,2W,AG,TP,3.9x	
...	R473	2004-001395	R-METAL(S);330Kohm,2%,1/2W,AA,TP,2.4x6.4	...	RZ131A	2003-002171	R-METAL OXIDE(S);150ohm,5%,2W,AG,TP,3.9x	
...	R474	2001-000009	R-CARBON;20KOHM,5%,1/8W,AA,TP,1.8X3.2MM	...	RZ132	2003-002171	R-METAL OXIDE(S);150ohm,5%,2W,AG,TP,3.9x	
...	R475	2001-000812	R-CARBON;5.6KOHM,5%,1/8W,AA,TP,1.8X3.2M	...	RZ132A	2003-002171	R-METAL OXIDE(S);150ohm,5%,2W,AG,TP,3.9x	
...	R482	2001-001031	R-CARBON;91KOHM,5%,1/8W,AA,TP,1.8X3.2MM	...	RZ133	2001-000563	R-CARBON;27KOHM,5%,1/8W,AA,TP,1.8X3.2MM	
...	R483	2001-000429	R-CARBON;1KOHM,5%,1/8W,AA,TP,1.8X3.2MM	...	RZ134	2001-000563	R-CARBON;27KOHM,5%,1/8W,AA,TP,1.8X3.2MM	
...	R484	2001-000429	R-CARBON;1KOHM,5%,1/8W,AA,TP,1.8X3.2MM	...	RZ135	2001-000563	R-CARBON;27KOHM,5%,1/8W,AA,TP,1.8X3.2MM	
...	R485	2008-001137	R-FUSIBLE(S);3.3ohm,5%,1W,AF,TP,3.9x10mm	...	RZ136	2001-000591	R-CARBON;3.3KOHM,5%,1/8W,AA,TP,1.8X3.2M	
...	R486	2008-001018	R-FUSIBLE(S);0.47ohm,10%,2W,AF,TP,3.9x10	...	RZ137	2001-000857	R-CARBON;5600HM,5%,1/8W,AA,TP,1.8X3.2MM	
...	R487	2001-000924	R-CARBON;6800HM,5%,1/8W,AA,TP,1.8X3.2MM	...	RZ138	2001-000591	R-CARBON;3.3KOHM,5%,1/8W,AA,TP,1.8X3.2M	
...	R488	2001-000273	R-CARBON;100KOHM,5%,1/8W,AA,TP,1.8X3.2M	...	RZ139	2001-000857	R-CARBON;5600HM,5%,1/8W,AA,TP,1.8X3.2MM	
...	R489	2001-000800	R-CARBON;5.1KOHM,5%,1/8W,AA,TP,1.8X3.2M	...	RZ140	2001-000591	R-CARBON;3.3KOHM,5%,1/8W,AA,TP,1.8X3.2M	
...	R490	2001-000800	R-CARBON;5.1KOHM,5%,1/8W,AA,TP,1.8X3.2M	...	RZ141	2001-000857	R-CARBON;5600HM,5%,1/8W,AA,TP,1.8X3.2MM	
...	R491	2001-001146	R-CARBON(S);4.7OHM,5%,1/2W,AA,TP,2.4X6.4	...	RZ142	2003-002148	R-METAL OXIDE;3.9OHM,2%,2W,AF,TP,3.9X10M	
...	R492	2001-000508	R-CARBON;220KOHM,5%,1/8W,AA,TP,1.8X3.2M	...	RZ143	2003-002148	R-METAL OXIDE;3.9OHM,2%,2W,AF,TP,3.9X10M	
...	R494	2001-000734	R-CARBON;4.7KOHM,5%,1/8W,AA,TP,1.8X3.2M	...	RZ144	2003-002148	R-METAL OXIDE;3.9OHM,2%,2W,AF,TP,3.9X10M	
...	R495	2001-000262	R-CARBON;1.8MOHM,5%,1/8W,AA,TP,1.8X3.2M	...	RZ145	2003-002148	R-METAL OXIDE;3.9OHM,2%,2W,AF,TP,3.9X10M	
...	R501	2004-001376	R-METAL(S);11Kohm,1%,1/2W,AA,TP,2.4x6.4m	...	RZ146	2003-002148	R-METAL OXIDE;3.9OHM,2%,2W,AF,TP,3.9X10M	
...	R502	2004-0011369	R-METAL(S);1.2Kohm,1%,1/2W,AA,TP,2.4x6.4	...	RZ147	2003-002148	R-METAL OXIDE;3.9OHM,2%,2W,AF,TP,3.9X10M	
...	R556	2001-001155	R-CARBON(S);5.6KOHM,5%,1/2W,AA,TP,2.4X6.4	...	RZ148	2003-002171	R-METAL OXIDE(S);150ohm,5%,2W,AG,TP,3.9x	
...	R557	2001-001155	R-CARBON(S);5.6KOHM,5%,1/2W,AA,TP,2.4X6.4	...	RZ148A	2003-002171	R-METAL OXIDE(S);150ohm,5%,2W,AG,TP,3.9x	
△	RF801S	2008-000282	R-FUSIBLE;0.47ohm,5%,1W,AA,TP,3.9x12mm	...	RZ149	2003-002171	R-METAL OXIDE(S);150ohm,5%,2W,AG,TP,3.9x	
...	RF5802	2008-000294	R-FUSIBLE(S);33ohm,5%,2W,AF,TP,3.9x10mm	△	RZ149A	2003-002171	R-METAL OXIDE(S);150ohm,5%,2W,AG,TP,3.9x	
...	RFZ19	2008-000261	R-FUSIBLE(S);150ohm,5%,1W,AF,TP,3.9x10mm	...	VP811S	1405-000152	VARISTOR;560V,2500A,14x8.5mm,TP	
...	RFZ20	2008-000261	R-FUSIBLE(S);150ohm,5%,1W,AF,TP,3.9x10mm	..	3301-001201	CORE-FERRITE;AE,21x11x32mm,1500,280G		
...	RFZ21	2008-000261	R-FUSIBLE(S);150ohm,5%,1W,AF,TP,3.9x10mm					
...	RFZ22	2008-000261	R-FUSIBLE(S);150ohm,5%,1W,AF,TP,3.9x10mm					
...	RFZ50	2008-000261	R-FUSIBLE(S);150ohm,5%,1W,AF,TP,3.9x10mm					
...	RFZ51	2008-000261	R-FUSIBLE(S);150ohm,5%,1W,AF,TP,3.9x10mm					
...	RFZ52	2008-000261	R-FUSIBLE(S);150ohm,5%,1W,AF,TP,3.9x10mm					
...	RFZ53	2008-000261	R-FUSIBLE(S);150ohm,5%,1W,AF,TP,3.9x10mm					
△	RR401S	2004-001892	R-METAL(S);162Kohm,1%,1/2W,AA,TP,2.5x6.5	1	*AA95-01068A	ASSY-CONTROL;PCL545R,P54A	S.N.A	
△	RR402S	2103-001086	VR-SEMI;100KOHM,25%,0.3W,TOP	..	PCB+A/	6003-001023	SCREW-TAPTITE;RW,H,+,B,M3,L10,ZPC(YEL),SW	
△	RR403S	2004-004001	R-METAL(S);180Kohm,1%,1/2W,AA,TP,2.5x6.5	..	AA91-00852A	ASSY-CONTROL;HIPS HB BLK,SEA,PCL545R/54	S.N.A	
△	RR404S	2004-004046	R-METAL(S);430Kohm,1%,1/2W,AA,TP,2.5x6.5	...	6002-000522	SCREW-TAPPING;TH,+,2,M4,L15,ZPC(BLK),SWR		
△	RR405S	2004-004046	R-METAL(S);430Kohm,1%,1/2W,AA,TP,2.5x6.5	...	AA61-60003J	SPRING-CS;SUS304,0.5,OD6,H12,N7,-,-		
△	RR406S	2004-001892	R-METAL(S);162Kohm,1%,1/2W,AA,TP,2.5x6.5	...	AA64-01750B	KNOB POWER;54J9,62J9,ABS HB,GRAY,SV-012P	S.N.A	
△	RR407S	2001-000429	R-CARBON;1KOHM,5%,1/8W,AA,TP,1.8X3.2MM	...	AA64-01752B	INDICATOR LED;54J9,62J9,ACR,YL,CLR	S.N.A	
△	RR408S	2001-000449	R-CARBON;2.2KOHM,5%,1/8W,AA,TP,1.8X3.2M	...	AA64-01755B	WINDOW REMOCON;54J9,62J9,PC,SEMI VIOLET	S.N.A	
△	RR409S	2001-000005	R-CARBON;390ohm,5%,1/8W,AA,TP,1.8X3.2mm	...	AA64-01749B	KNOB-CONTROL,HOLDER;54J9,62J9,ABS HB,BLK	S.N.A	
△	RR410S	2001-000290	R-CARBON;10KOHM,5%,1/8W,AA,TP,1.8X3.2MM	...	AA64-01747B	DOOR-AV;54J9,62J9,HIPS HB,BLK,BL903P	S.N.A	
△	RR471S	2103-001024	VR-SEMI;50Kohm,25%,0.3W,TOP	...	AA64-01746B	PANEL-CONTROL;54J9,62J9,HIPS HB,BLK,LG80	S.N.A	
...	RS801	2001-001093	R-CARBON(S);2.2KOHM,5%,1/2W,AA,TP,2.4X6.4	...	AA64-01396E	INLAY-AV;43,54,62J8,PS SHEET,T0.5,-,BLK		
...	RS803	2001-001159	R-CARBON(S);510OHM,5%,1/2W,AA,TP,2.4X6.4	..	AA95-00961A	ASSY-PCB,CONTROL;PCL534R,P54A,-,-	S.N.A	
...	RS804	2001-001182	R-CARBON(S);7.5KOHM,5%,1/2W,AA,TP,2.4X6.4	...	AA39-00223A	LEAD CONNECTOR ASSY;,11P;67096-011,315155		
...	RS805	2001-001107	R-CARBON(S);220ohm,5%,1/2W,AA,TP,2.4X6.4	...	3711-003353	CONNECTOR-HEADER;BOX,11P,1R,2.5mm,ANGLE,		
...	RS806	2001-001159	R-CARBON(S);510OHM,5%,1/2W,AA,TP,2.4X6.4	...	3711-000447	CONNECTOR-HEADER;3WALL,3P,1R,2.5mm,ANGLE		
...	RS807	2001-001192	R-CARBON(S);820OHM,5%,1/2W,AA,TP,2.4X6.4	...	CNYW02	AA39-20016A	LEAD CONNECTOR-ASSY;,3P;67096-003,S,200,	
...	RS808	2001-000066	R-CARBON(S);10KOHM,5%,1/2W,AA,TP,2.4X6.4	...	CY01	2401-002009	C-AL;100uf,20%,16V,GP,TP,6.3x7.5	
...	RS809	2001-001099	R-CARBON(S);2.7KOHM,5%,1/2W,AA,TP,2.4X6.4	...	DZY02	0403-000510	DIODE-ZENER;MTZJ6.2B,6.2V,5.96-6.27V,500	
...	RS810	2001-000085	R-CARBON(S);100KOHM,5%,1/2W,AA,TP,2.4X6.4	...	DZY03	0403-000510	DIODE-ZENER;MTZJ6.2B,6.2V,5.96-6.27V,500	
...	RS811	2001-001097	R-CARBON(S);2.4KOHM,5%,1/2W,AA,TP,2.4X6.4	...	LEDY01	0601-001381	LED;ROUND,RED,GRN,5.0MM,650/563NM	
...	RZ104	2001-001114	R-CARBON(S);270OHM,5%,1/2W,AA,TP,2.4X6.4	...	PCB	AA41-00425A	PCB-CONTROL;SVP54J8SR,FR-1,1L,A,1.6T,245	S.N.A
...	RZ105	2001-001114	R-CARBON(S);270OHM,5%,1/2W,AA,TP,2.4X6.4	...	QY01	0504-000123	TR-DIGITAL;KSR1010,NPN,300mW,10K,TO-92,T	
...	RZ106	2001-001114	R-CARBON(S);270OHM,5%,1/2W,AA,TP,2.4X6.4	...	RY01	AA59-60002B	MODULE-REMOCON;-,ORC-50HF,38KHZ,940MM,ME	
...	RZ107	2001-001114	R-CARBON(S);270OHM,5%,1/2W,AA,TP,2.4X6.4	...	RY02	2001-000924	R-CARBON;6800HM,5%,1/8W,AA,TP,1.8X3.2MM	
...	RZ108	2001-001114	R-CARBON(S);270OHM,5%,1/2W,AA,TP,2.4X6.4	...	RY03	2001-000429	R-CARBON;1KOHM,5%,1/8W,AA,TP,1.8X3.2MM	
...	RZ109	2001-001114	R-CARBON(S);270OHM,5%,1/2W,AA,TP,2.4X6.4	...	RY04	2001-000449	R-CARBON;2.2KOHM,5%,1/8W,AA,TP,1.8X3.2M	
...	RZ110	2001-000563	R-CARBON;27KOHM,5%,1/8W,AA,TP,1.8X3.2MM	...	RY05	2001-000924	R-CARBON;6800HM,5%,1/8W,AA,TP,1.8X3.2MM	
...	RZ111	2001-000563	R-CARBON;27KOHM,5%,1/8W,AA,TP,1.8X3.2MM	...	RY06	2001-000429	R-CARBON;1KOHM,5%,1/8W,AA,TP,1.8X3.2MM	
...	RZ112	2001-000563	R-CARBON;27KOHM,5%,1/8W,AA,TP,1.8X3.2MM	...	RY07	2001-000020	R-CARBON(S);220OHM,5%,1/2W,AA,TP,2.4X6.4M	
...	RZ113	2001-000591	R-CARBON;3.3KOHM,5%,1/8W,AA,TP,1.8X3.2M	...	RY08	2001-001108	R-CARBON(S);22KOHM,5%,1/2W,AA,TP,2.4X6.4	
...	RZ114	2001-000857	R-CARBON;5600HM,5%,1/8W,AA,TP,1.8X3.2MM	...	RY09	2001-000109	R-CARBON(S);470OHM,5%,1/2W,AA,TP,2.4X6.4	
...	RZ115	2001-000591	R-CARBON;3.3KOHM,5%,1/8W,AA,TP,1.8X3.2M	...	SWY01	3404-001006	SWITCH-TACT;12V,50mA,160gf,6x6mm,SPST	
...	RZ116	2001-000857	R-CARBON;5600HM,5%,1/8W,AA,TP,1.8X3.2MM	...	SWY02	3404-001006	SWITCH-TACT;12V,50mA,160gf,6x6mm,SPST	
...	RZ117	2001-000591	R-CARBON;3.3KOHM,5%,1/8W,AA,TP,1.8X3.2M	...	SWY03	3404-001006	SWITCH-TACT;12V,50mA,160gf,6x6mm,SPST	
...	RZ118	2001-000857	R-CARBON;5600HM,5%,1/8W,AA,TP,1.8X3.2MM	...	SWY04	3404-001006	SWITCH-TACT;12V,50mA,160gf,6x6mm,SPST	
...	RZ123	2003-002148	R-METAL OXIDE;3.9OHM,2%,2W,AF,TP,3.9X10M	...	SWY05	3404-001006	SWITCH-TACT;12V,50mA,160gf,6x6mm,SPST	
...	RZ124	2003-002148	R-METAL OXIDE;3.9OHM,2%,2W,AF,TP,3.9X10M	...	SWY06	3404-001006	SWITCH-TACT;12V,50mA,160gf,6x6mm,SPST	
...	RZ125	2003-002148	R-METAL OXIDE;3.9OHM,2%,2W,AF,TP,3.9X10M	...	SWY07	3404-001006	SWITCH-TACT;12V,50mA,160gf,6x6mm,SPST	
...	RZ126	2003-002148	R-METAL OXIDE;3.9OHM,2%,2W,AF,TP,3.9X10M	...	SWY08	3404-001006	SWITCH-TACT;12V,50mA,160gf,6x6mm,SPST	
...	RZ127	2003-002148	R-METAL OXIDE;3.9OHM,2%,2W,AF,TP,3.9X10M	...				
...	RZ128	2003-002148	R-METAL OXIDE;3.9OHM,2%,2W,AF,TP,3.9X10M	...				
...	RZ129	2003-002171	R-METAL OXIDE(S);150ohm,5%,2W,AG,TP,3.9x	...				
...				..	AA95-00998A	ASSY-PCB,A/V FRONT;PCL545R,P54A	S.N.A	

## ASSY-CONTROL

Loc. No.	Code No.	Description ; Specification	Remark
...3	CNY01A	3711-003974 CONNECTOR-HEADER;BOX,12P,1R,2.5mm,STRAIG	
...3	CNY702	3711-000447 CONNECTOR-HEADER;3WALL,3P,1R,2.5mm,ANGLE	
...3	CNYW01	AA39-00231A LEAD CONNECTOR ASSY.;12P;35155-1200,6709	
...3	JK101	3722-000544 JACK-VHS;4P,11.5mm,AG,BLK,N	
...3	JK102	3722-001164 JACK-RCA;3P;3.4mm,SN,WH:YE:RE,#16-22	
...3	PCB	AA41-00453A PCB-AV FRONT;PCL545R,FR-1,1L,A,1.6T,330X	S.N.A
...3	RK101	2001-000613 R-CARBON;3.9KOHM,5%,1/8W,AA,TP,1.8X3.2M	
...3	SW101	3404-000208 SWITCH-TACT;12V,50mA,120gf,6x6mm,SPST	
...3		3301-001201 CORE-FERRITE;AE,21x11x32mm,1500,280G	
...3		0202-000187 SOLDER-WIRE FLUX;-RS60S,D1.2,63Sn/37Pb	

**ASSY-PCB,SENSOR**

1	*AA95-01031A	ASSY-PCB,SENSOR;PCL545R,P54A	
..2	CN01	3711-002642 CONNECTOR-HEADER;BOX,3P,1R,2.5MM,STRAIGH	
..2	D01	0603-001067 PHOTO DIODE;-10V,560nm,BK	
..2	PCB	AA41-00433A PCB-SENSOR;PCL545R,CEM-1,1L,A,1.6T,245X2	
..2	Q01	0501-000389 TR-SMALL SIGNAL;KSC815,NPN,400mW,TO-92,T	
..2		0202-000187 SOLDER-WIRE FLUX;-RS60S,D1.2,63Sn/37Pb	
..2	AA99-20090G	ASSY-PCB SUB,AUTO; AA95-01031A ,V	S.N.A
...3	R01	2001-000739 R-CARBON;4.7MOHM,5%,1/8W,AA,TP,1.8X3.2M	
...3	R02	2001-000739 R-CARBON;4.7MOHM,5%,1/8W,AA,TP,1.8X3.2M	
...3	R03	2001-000454 R-CARBON;2.2MOHM,5%,1/8W,AA,TP,1.8X3.2M	

**ASSY PCB CRT**

1	*AA95-00970A	ASSY PCB CRT;-P54A,54,U.S.A,PCL545R	
..2	C511	2201-000723 C-CERAMIC,DISC;4.7nF,20%,3KV,Y5U,TP,16x5	
..2	C541	2201-000723 C-CERAMIC,DISC;4.7nF,20%,3KV,Y5U,TP,16x5	
..2	C571	2201-000723 C-CERAMIC,DISC;4.7nF,20%,3KV,Y5U,TP,16x5	
..2	CN501	3711-003051 CONNECTOR-HEADER;BOX,8P,1R,2.5mm,STRAGHT	
..2	CN502	3711-003052 CONNECTOR-HEADER;BOX,10P,1R,2.5mm,STRAGH	
..2	CN502B	3711-003052 CONNECTOR-HEADER;BOX,10P,1R,2.5mm,STRAGH	
..2	CN503	3711-003052 CONNECTOR-HEADER;BOX,10P,1R,2.5mm,STRAGH	
..2	CN503B	3711-003052 CONNECTOR-HEADER;BOX,10P,1R,2.5mm,STRAGH	
..2	CNW401	AA39-00227C LEAD CONNECTOR-ASSY.;6P;67096-006,S,500,	
..2	CNW501	AA39-00127B LEAD CONNECTOR-ASSY.;8P;35155-0800,S,600	
..2	CNW502	AA39-00112A LEAD CONNECTOR-ASSY.;10P;35155-1000,S,30	
..2	CNW503	AA39-00112A LEAD CONNECTOR-ASSY.;10P;35155-1000,S,30	
..2	FOCUS-	AA39-20115B LEAD CONNECTOR-ASSY.;1P;BUSHING,-,700MM,	
..2	FOCUS-	AA39-20115A LEAD CONNECTOR-ASSY.;1P;BUSHING,500,3239	
..2	FOCUS-	AA39-20115A LEAD CONNECTOR-ASSY.;1P;BUSHING,500,3239	
..2	GBW-GN	3811-000446 WIRE-PVC CU;TCWA,600V,ROLL,17/0.16mm,#22	
..2	GBW-SC	3811-000480 WIRE-PVC CU;BCWA,1KV,ROLL,17/0.16mm,#22,	
..2	GNDWIR	AA39-00198A LEAD CONNECTOR ASSY.;3P;YFH800-03,YFH800	
..2	GRW-GN	3811-000446 WIRE-PVC CU;TCWA,600V,ROLL,17/0.16mm,#22	
..2	GRW-SC	3811-000480 WIRE-PVC CU;BCWA,1KV,ROLL,17/0.16mm,#22,	
..2	IC501	AA96-50151B ASSY-H/S;-AMP,AA61-10060A,TDA6111Q,-	
...3		1201-001131 IC-VIDEO AMP;6111,SIP,9P;-SINGLE;-PLAS	
...3		6001-000057 SCREW-MACHINE;RH,+,M3,L6,ZPC(BLK),SWRCH1	
...3		6021-000222 NUT-HEXAGON;2C,M3,ZPC(YEL),SM20C 1	
...3		AA61-10060A BRACKET-TR;W3220,CUS-1 1/2H,TO.5,-,-,-	
..2	IC531	AA96-50151B ASSY-H/S;-AMP,AA61-10060A,TDA6111Q,-	
..2	IC561	AA96-50151B ASSY-H/S;-AMP,AA61-10060A,TDA6111Q,-	
..2	PCB	AA41-00406A PCB-CRT;PCL545R,FR-1,1L,A,1.6T,245X245	
..2	SG502	AA27-00084A COIL;S-23,-,-,-,-,-,S-23,5000Mohm	
..2	SG532	AA27-00084A COIL;S-23,-,-,-,-,-,S-23,5000Mohm	
..2	SG562	AA27-00084A COIL;S-23,-,-,-,-,-,S-23,5000Mohm	
..2	V501	3704-001019 SOCKET-CRT;10P;29.1PI,35.5PI,AU30U	
..2	V531	3704-001019 SOCKET-CRT;10P;29.1PI,35.5PI,AU30U	
..2	V561	3704-001019 SOCKET-CRT;10P;29.1PI,35.5PI,AU30U	
..2	VR501	2101-000321 VR-ROTARY;1Mohm,-,0.6W,SIDE	
..2	VR531	2101-000321 VR-ROTARY;1Mohm,-,0.6W,SIDE	
..2	VR561	2101-000321 VR-ROTARY;1Mohm,-,0.6W,SIDE	
..2		0202-000187 SOLDER-WIRE FLUX;-RS60S,D1.2,63Sn/37Pb	
..2		3301-001201 CORE-FERRITE;AE,21x11x32mm,1500,280G	
..2	AA99-20087L	ASSY-PCB SUB,AUTO; AA95-00970A ,V	S.N.A
...3	C502	2401-000027 C-AL;4.7uF,20%,50V,GP,TP,5x11,5	
...3	C503	2201-000119 C-CERAMIC,DISC;100nF,+80-20%,50V,Y5V,TP,	
...3	C504	2401-001537 C-AL;47uF,20%,25V,GP,TP,6.3x7mm,5mm	
...3	C505	2305-000149 C-FILM,MPEF;100nF,5%,100V,TP,12x12.5x6.5	

Loc. No.	Code No.	Description ; Specification	Remark
...3	C506	2401-000430 C-AL;10uF,20%,250V,GP,TP,10x16mm,5m	
...3	C507	2305-000154 C-FILM,MPEF;100nF,5%,400V,TP,21.5x6.5x11	
...3	C510	2401-000430 C-AL;10uF,20%,250V,GP,TP,10x16mm,5m	
...3	C512	2401-000133 C-AL;1000uF,20%,16V,GP,TP,10x20,5	
...3	C513	2201-000983 C-CERAMIC,DISC;1nF,10%,2kV,Y5P,TP,9x5,7.	
...3	C514	2201-000599 C-CERAMIC,DISC;0.56nF,10%,500V,Y5P,TP,5.	
...3	C532	2401-000027 C-AL;4.7uF,20%,50V,GP,TP,5x11,5	
...3	C533	2201-000119 C-CERAMIC,DISC;100nF,+80-20%,50V,Y5V,TP,	
...3	C534	2401-001537 C-AL;47uF,20%,25V,GP,TP,6.3x7mm,5mm	
...3	C535	2305-000149 C-FILM,MPEF;100nF,5%,100V,TP,12x12.5x6.5	
...3	C536	2401-000430 C-AL;10uF,20%,250V,GP,TP,10x16mm,5m	
...3	C537	2305-000154 C-FILM,MPEF;100nF,5%,400V,TP,21.5x6.5x11	
...3	C540	2401-000430 C-AL;10uF,20%,250V,GP,TP,10x16mm,5m	
...3	C542	2201-000983 C-CERAMIC,DISC;1nF,10%,2kV,Y5P,TP,9x5,7.	
...3	C543	2201-000599 C-CERAMIC,DISC;0.56nF,10%,500V,Y5P,TP,5.	
...3	C562	2401-000027 C-AL;4.7uF,20%,50V,GP,TP,5x11,5	
...3	C563	2201-000119 C-CERAMIC,DISC;100nF,+80-20%,50V,Y5V,TP,	
...3	C564	2401-001537 C-AL;47uF,20%,25V,GP,TP,6.3x7mm,5mm	
...3	C565	2305-000149 C-FILM,MPEF;100nF,5%,100V,TP,12x12.5x6.5	
...3	C566	2401-000430 C-AL;10uF,20%,250V,GP,TP,10x16mm,5m	
...3	C567	2305-000154 C-FILM,MPEF;100nF,5%,400V,TP,21.5x6.5x11	
...3	C570	2401-000430 C-AL;10uF,20%,250V,GP,TP,10x16mm,5m	
...3	C572	2201-000983 C-CERAMIC,DISC;1nF,10%,2kV,Y5P,TP,9x5,7.	
...3	C573	2201-000599 C-CERAMIC,DISC;0.56nF,10%,500V,Y5P,TP,5.	
...3	CN401	3711-002645 CONNECTOR-HEADER;BOX,6P,1R,2.5MM,STRAIGH	
...3	D501	0402-000546 DIODE-RECTIFIER;TVR10G,400V,1.0A,DO-41,T	
...3	D502	0402-000546 DIODE-RECTIFIER;TVR10G,400V,1.0A,DO-41,T	
...3	D503	0402-000493 DIODE-RECTIFIER;1R5GU41,400V,1.5A,DO-15L	
...3	D504	0401-000005 DIODE-SWITCHING;1N4148,100V,200mA,DO-35,	
...3	D509	0401-000005 DIODE-SWITCHING;1N4148,100V,200mA,DO-35,	
...3	D510	0401-000005 DIODE-SWITCHING;1N4148,100V,200mA,DO-35,	
...3	D531	0402-000546 DIODE-RECTIFIER;TVR10G,400V,1.0A,DO-41,T	
...3	D532	0402-000546 DIODE-RECTIFIER;TVR10G,400V,1.0A,DO-41,T	
...3	D533	0402-000493 DIODE-RECTIFIER;1R5GU41,400V,1.5A,DO-15L	
...3	D561	0402-000546 DIODE-RECTIFIER;TVR10G,400V,1.0A,DO-41,T	
...3	D562	0402-000546 DIODE-RECTIFIER;TVR10G,400V,1.0A,DO-41,T	
...3	D563	0402-000493 DIODE-RECTIFIER;1R5GU41,400V,1.5A,DO-15L	
...3	DZ501	0403-000334 DIODE-ZENER;UZZ.7B5A,2.7V,2.54-2.75V,500	
...3	DZ502	0403-000508 DIODE-ZENER;MTZJ5.6B,5.6V,5.45-5.73V,500	
...3	DZ503	0403-000708 DIODE-ZENER;MTZJ13B,13V,12.55-13.21V,500	
...3	DZ531	0403-001317 DIODE-ZENER;MTZJ3.0B,3.01-3.22V,500mW,DO	
...3	DZ532	0403-000508 DIODE-ZENER;MTZJ5.6B,5.6V,5.45-5.73V,500	
...3	DZ533	0403-000708 DIODE-ZENER;MTZJ13B,13V,12.55-13.21V,500	
...3	DZ561	0403-000334 DIODE-ZENER;UZZ.7B5A,2.7V,2.54-2.75V,500	
...3	DZ562	0403-000508 DIODE-ZENER;MTZJ5.6B,5.6V,5.45-5.73V,500	
...3	DZ563	0403-000708 DIODE-ZENER;MTZJ13B,13V,12.55-13.21V,500	
...3	L501	2701-000114 INDUCTOR-AXIAL;10uH,10%,2.5x3.4mm	
...3	L531	2701-000114 INDUCTOR-AXIAL;10uH,10%,2.5x3.4mm	
...3	L561	2701-000114 INDUCTOR-AXIAL;10uH,10%,2.5x3.4mm	
...3	Q501	0502-000006 TR-POWER;KSC1507,NPN,15W,TO-220,TP,120-	
...3	Q502	0501-000389 TR-SMALL SIGNAL;KSC815,NPN,400mW,TO-92,T	
...3	Q504	0501-000283 TR-SMALL SIGNAL;KSA539,PNP,400mW,TO-92,T	
...3	Q531	0502-000006 TR-POWER;KSC1507,NPN,15W,TO-220,TP,120-	
...3	Q533	0501-000283 TR-SMALL SIGNAL;KSA539,PNP,400mW,TO-92,T	
...3	Q561	0502-000006 TR-POWER;KSC1507,NPN,15W,TO-220,TP,120-	
...3	Q563	0501-000283 TR-SMALL SIGNAL;KSA539,PNP,400mW,TO-92,T	
...3	R500	2001-000241 R-CARBON;1.5KOHM,5%,1/8W,AA,TP,1.8X3.2M	
...3	R502	2001-000995 R-CARBON;820OHM,5%,1/8W,AA,TP,1.8X3.2MM	
...3	R503	2001-000429 R-CARBON;1KOHM,5%,1/8W,AA,TP,1.8X3.2MM	
...3	R504	2001-000006 R-CARBON;2.4KOHM,5%,1/8W,AA,TP,1.8X3.2MM	
...3	R505	2001-000362 R-CARBON;150OHM,5%,1/8W,AA,TP,1.8X3.2MM	
...3	R506	2001-001088 R-CARBON(S);1KOHM,5%,1/2W,AA,TP,2.4X6.4M	
...3	R507	2001-000429 R-CARBON;1KOHM,5%,1/8W,AA,TP,1.8X3.2MM	
...3	R508	2003-000738 R-METAL OXIDE(S);56Kohm,5%,2W,AA,TP,4x12	
...3	R509	2001-000734 R-CARBON;4.7KOHM,5%,1/8W,AA,TP,1.8X3.2M	
...3	R510	2001-001000 R-CARBON;82KOHM,5%,1/8W,AA,TP,1.8X3.2MM	
...3	R511	2001-000313 R-CARBON;11KOHM,5%,1/8W,AA,TP,1.8X3.2MM	
...3	R513	2008-000252 R-FUSIBLE(S);0.47ohm,10%,1/2W,AF,TP,2.5x	
...3	R514	2001-001122 R-CARBON(S);3.9KOHM,5%,1/2W,AA,TP,2.4X6.	
...3	R515	2002-001017 R-COMPOSITION;1Kohm,10%,1/2W,AA,TP,3.7x9	
...3	R516	2001-000009 R-CARBON;20KOHM,5%,1/8W,AA,TP,1.8X3.2MM	
...3	R517	2001-000085 R-CARBON(S);100KOHM,5%,1/2W,AA,TP,2.4X6.	
...3	R518	2002-001021 R-COMPOSITION;560KOHM,10%,1/2W,AA,TP,3.7	
...3	R519	2002-001021 R-COMPOSITION;560KOHM,10%,1/2W,AA,TP,3.7	
...3	R520	2001-000066 R-CARBON(S);10KOHM,5%,1/2W,AA,TP,2.4X6.4	
...3	R521	2001-001052 R-CARBON(S);1.5MOHM,5%,1/2W,AA,TP,2.4X6.	
...3	R522	2002-001006 R-COMPOSITION;4.7Kohm,5%,1/2W,AA,TP,3.7x	

Loc. No.	Code No.	Description ; Specification	Remark
...3	R523	2002-001006 R-COMPOSITION;4.7Kohm,5%,1/2W,AA,TP,3.7x	
...3	R524	2001-000028 R-CARBON(S);100OHM,5%,1/2W,AA,TP,2.4X6.4	
...3	R526	2001-000539 R-CARBON;24KOHM,5%,1/8W,AA,TP,1.8X3.2MM	
...3	R527	2001-000577 R-CARBON;2KOHM,5%,1/8W,AA,TP,1.8X3.2MM	
...3	R528	2001-001015 R-CARBON;9.1KOHM,5%,1/8W,AA,TP,1.8X3.2M	
...3	R529	2002-001021 R-COMPOSITION;560KOHM,10%,1/2W,AA,TP,3.7	
...3	R532	2001-000995 R-CARBON;820OHM,5%,1/8W,AA,TP,1.8X3.2MM	
...3	R533	2001-000429 R-CARBON;1KOHM,5%,1/8W,AA,TP,1.8X3.2MM	
...3	R536	2001-001088 R-CARBON(S);1KOHM,5%,1/2W,AA,TP,2.4X6.4M	
...3	R537	2001-000429 R-CARBON;1KOHM,5%,1/8W,AA,TP,1.8X3.2MM	
...3	R538	2003-000738 R-METAL OXIDE(S);56Kohm,5%,2W,AA,TP,4x12	
...3	R540	2001-000837 R-CARBON;51KOHM,5%,1/8W,AA,TP,1.8X3.2MM	
...3	R541	2001-000429 R-CARBON;1KOHM,5%,1/8W,AA,TP,1.8X3.2MM	
...3	R543	2008-000252 R-FUSIBLE(S);0.47ohm,10%,1/2W,AF,TP,2.5x	
...3	R544	2001-001122 R-CARBON(S);3.9KOHM,5%,1/2W,AA,TP,2.4X6.	
...3	R545	2002-001017 R-COMPOSITION;1Kohm,10%,1/2W,AA,TP,3.7x9	
...3	R546	2001-000009 R-CARBON;20KOHM,5%,1/8W,AA,TP,1.8X3.2MM	
...3	R547	2001-000085 R-CARBON(S);100KOHM,5%,1/2W,AA,TP,2.4X6.	
...3	R548	2002-001021 R-COMPOSITION;560KOHM,10%,1/2W,AA,TP,3.7	
...3	R549	2002-001021 R-COMPOSITION;560KOHM,10%,1/2W,AA,TP,3.7	
...3	R550	2001-000066 R-CARBON(S);10KOHM,5%,1/2W,AA,TP,2.4X6.4	
...3	R551	2001-001052 R-CARBON(S);1.5MOHM,5%,1/2W,AA,TP,2.4X6.	
...3	R552	2002-001006 R-COMPOSITION;4.7Kohm,5%,1/2W,AA,TP,3.7x	
...3	R553	2002-001006 R-COMPOSITION;4.7Kohm,5%,1/2W,AA,TP,3.7x	
...3	R554	2001-000028 R-CARBON(S);100OHM,5%,1/2W,AA,TP,2.4X6.4	
...3	R555	2001-000734 R-CARBON;2.7KOHM,5%,1/8W,AA,TP,1.8X3.2M	
...3	R556	2001-000007 R-CARBON;3KOHM,5%,1/8W,AA,TP,1.8X3.2MM	
...3	R557	2001-000362 R-CARBON;1500HM,5%,1/8W,AA,TP,1.8X3.2MM	
...3	R559	2002-001015 R-COMPOSITION;47Kohm,5%,1/2W,AA,TP,3.7x9	
...3	R562	2001-000221 R-CARBON;1.2KOHM,5%,1/8W,AA,TP,1.8X3.2M	
...3	R563	2001-000995 R-CARBON;820OHM,5%,1/8W,AA,TP,1.8X3.2MM	
...3	R564	2001-000660 R-CARBON;33KOHM,5%,1/8W,AA,TP,1.8X3.2MM	
...3	R566	2001-001088 R-CARBON(S);1KOHM,5%,1/2W,AA,TP,2.4X6.4M	
...3	R567	2001-000429 R-CARBON;1KOHM,5%,1/8W,AA,TP,1.8X3.2MM	
...3	R568	2001-000734 R-CARBON;4.7KOHM,5%,1/8W,AA,TP,1.8X3.2M	
...3	R569	2001-000472 R-CARBON;2.7KOHM,5%,1/8W,AA,TP,1.8X3.2M	
...3	R570	2001-000362 R-CARBON;1500HM,5%,1/8W,AA,TP,1.8X3.2MM	
...3	R571	2001-000281 R-CARBON;1000HM,5%,1/8W,AA,TP,1.8X3.2MM	
...3	R572	2003-000738 R-METAL OXIDE(S);56Kohm,5%,2W,AA,TP,4x12	
...3	R573	2008-000252 R-FUSIBLE(S);0.47ohm,10%,1/2W,AF,TP,2.5x	
...3	R574	2001-001122 R-CARBON(S);3.9KOHM,5%,1/2W,AA,TP,2.4X6.	
...3	R575	2002-001017 R-COMPOSITION;1Kohm,10%,1/2W,AA,TP,3.7x9	
...3	R576	2001-000009 R-CARBON;20KOHM,5%,1/8W,AA,TP,1.8X3.2MM	
...3	R577	2001-000085 R-CARBON(S);100KOHM,5%,1/2W,AA,TP,2.4X6.	
...3	R578	2002-001021 R-COMPOSITION;560KOHM,10%,1/2W,AA,TP,3.7	
...3	R579	2002-001021 R-COMPOSITION;560KOHM,10%,1/2W,AA,TP,3.7	
...3	R580	2001-000066 R-CARBON(S);10KOHM,5%,1/2W,AA,TP,2.4X6.4	
...3	R581	2001-001052 R-CARBON(S);1.5MOHM,5%,1/2W,AA,TP,2.4X6.	
...3	R582	2002-001006 R-COMPOSITION;4.7Kohm,5%,1/2W,AA,TP,3.7x	
...3	R583	2002-001006 R-COMPOSITION;4.7Kohm,5%,1/2W,AA,TP,3.7x	
...3	R584	2001-000028 R-CARBON(S);100OHM,5%,1/2W,AA,TP,2.4X6.4	
...3	R589	2002-001015 R-COMPOSITION;47Kohm,5%,1/2W,AA,TP,3.7x9	
...3	SG351	4715-001036 SURGE ABSORBER;500V,20%,--,TP	
...3	SG501	4715-001036 SURGE ABSORBER;500V,20%,--,TP	
...3	SG503	4715-001036 SURGE ABSORBER;500V,20%,--,TP	
...3	SG533	4715-001036 SURGE ABSORBER;500V,20%,--,TP	
...3	SG561	4715-001036 SURGE ABSORBER;500V,20%,--,TP	
...3	SG563	4715-001036 SURGE ABSORBER;500V,20%,--,TP	

**ASSY PCB MAIN(OPT)**

1 \*AA94-03388D ASSY PCB MAIN(OPT);PCL5415RX/XAA,P54A,U.

Loc. No.	Code No.	Description ; Specification	Remark
..2	DW-TOP	AA63-00394B SHIELD CASE-TOP;PRJT P54A,SPT,TO.5,D/W	
..2	IC102	AA96-00110C ASSY-H/S;--,AA62-30013K,SI-3090C,-	
..3		1203-000577 IC-VOLTAGE REGULATOR;3090,ZIP,5P,-,PLASTI	
...3		6003-000333 SCREW-TAPTITE;RH,+,2S,M3,L10,ZPC(YEL),SW	
...3		AA62-30013K HEATSINK-ES;--,44/18,-,WHT,A6063 EX	
..2	IC104	AA96-00110A ASSY-H/S;--,AA62-30013K,SI-3050C,-	
...3		1203-000203 IC-POS1.ADJUST REG.;3050,TO-220,5P,-,PLA	
...3		6003-000333 SCREW-TAPTITE;RH,+,2S,M3,L10,ZPC(YEL),SW	
...3		AA62-30013K HEATSINK-ES;--,44/18,-,WHT,A6063 EX	
..2	IC106	AA96-00110A ASSY-H/S;--,AA62-30013K,SI-3050C,-	
..2	IC655	AA96-00038A ASSY-H/S;-,SOUND AMP,AA62-30173E,TDA726	
...3		0205-000129 GREASE-SILICON;SC102,JAPAN	
...3		1201-001026 IC-POWER AMP;7265,ZIP,11P,19.6MIL,DUAL,1	
...3		6003-000333 SCREW-TAPTITE;RH,+,2S,M3,L10,ZPC(YEL),SW	
...3		AA62-30173E HEAT-SINK,ES;-,T1.0.WHYTE,SCREW-HOLE(1	
..2	ICZ101	AA96-00110A ASSY-H/S;--,AA62-30013K,SI-3050C,-	
..2	ICZ102	1203-000121 IC-NEGA.FIXED REG.;7906,TO-220,3P,-,PLAS	
..2	L601	AA29-00004A FILTER-LINE NOISE;-,20UH,3A,AC80-260V,TO	
..2	L602	AA27-10001C COIL-CHOKE;-,100uH,K,-,5.0A,ST,700UH-K1R	
..2	MI-BOT	AA63-00397B SHIELD CASE-BOT;PRJT,P54A,SPT,TO.5,SOUN	
..2	MI-TOP	AA63-00396B SHIELD CASE-TOP;PRJT,P54A,SPT,TO.5,SOUN	
..2	SO-BOT	AA63-00397B SHIELD CASE-BOT;PRJT,P54A,SPT,TO.5,SOUN	
..2	SO-TOP	AA63-00396B SHIELD CASE-TOP;PRJT,P54A,SPT,TO.5,SOUN	
△..2	TU103S	AA59-00164A MODULE-REF,SPLITTER;-,UMX-NT-005,-,2IN/3O	
..2	WIRE	AA65-30018A CLAMP-WIRE;NYLON-66;-,DATL-600,DONG-A,	
..2		3301-001201 CORE-FERRITE;AE,21x11x32mm,1500,280G	
..2		AA99-30217G ASSY-PCB ROBOT; AA94-03388D_ER	
...3	CN201	3711-003974 CONNECTOR-HEADER;BOX,12P,1R,2.5mm,STRAIG	
...3	CN501	3711-003051 CONNECTOR-HEADER;BOX,8P,1R,2.5mm,STRAIGH	
...3	CN801	3711-003975 CONNECTOR-HEADER;BOX,14P,1R,2.5mm,STRAIG	
...3	CN901	3711-003973 CONNECTOR-HEADER;BOX,11P,1R,2.5mm,STRAIG	
...3	CN202	3711-003052 CONNECTOR-HEADER;BOX,10P,1R,2.5mm,STRAIG	
...3	IC103	AA96-50147B ASSY-H/S;-,TR,AA62-30012B,KA7808,-	
...4		1203-000293 IC-POS1.FIXED REG.;7808,TO-220,3P,-,PLAS	
...4		6003-000333 SCREW-TAPTITE;RH,+,2S,M3,L10,ZPC(YEL),SW	
...4		AA62-30012B HEAT SINK-ES;-,A6063 EXTR,-,45(16) T02	
...3	IC107	AA96-00111L ASSY-H/S;--,AA62-30013L,KA78R12,-	
...4		1203-000165 IC-POS1.ADJUST REG.;78R12,TO-220,3P,-,PL	
...4		6003-000333 SCREW-TAPTITE;RH,+,2S,M3,L10,ZPC(YEL),SW	
...4		AA62-30013L HEATSINK-ES;--,44/22,-,WHT,-,-,-	
△..3	TU101S	AA40-00032A TUNER-F/S;TCPN3081PC09A(S),NTSC,TR,181CH	
△..3	TU102S	AA40-00032A TUNER-F/S;TCPN3081PC09A(S),NTSC,TR,181CH	
...3		AA99-10211S ASSY-PCB MAIN,AUTO; AA99-30217G_V	
...4	C100	2401-001397 C-AL;470uF,20%,25V,GP,TP,10x16,5	
...4	C101	2401-001397 C-AL;470uF,20%,25V,GP,TP,10x16,5	
...4	C102	2401-000611 C-AL;1uF,20%,50V,WT,TP,5x11,5	
...4	C103	2401-000302 C-AL;100uF,20%,25V,GP,TP,6.3x11,5	
...4	C104	2401-000603 C-AL;1uF,20%,50V,GP,TP,5x11,5	
...4	C105	2401-000302 C-AL;100uF,20%,25V,GP,TP,6.3x11,5	
...4	C106	2401-002463 C-AL;470uF,20%,16V,GP,TP,8x11.5,5	
...4	C107	2401-002463 C-AL;470uF,20%,16V,GP,TP,8x11.5,5	
...4	C110	2301-000383 C-FILM,PEF;10nF,5%,50V,TP,6x7x3.2mm,5mm	
...4	C111	2201-000180 C-CERAMIC,DISC;10nF,10%,50V,Y5V,TP,7x3,5	
...4	C117	2201-000119 C-CERAMIC,DISC;100nF,+80-20%,50V,Y5V,TP,	
...4	C118	2305-000665 C-FILM,MPEF;100nF,5%,63V,TP,7.5x4.0x5.0m	
...4	C119	2301-000383 C-FILM,PEF;10nF,5%,50V,TP,6x7x3.2mm,5mm	
...4	C120	2301-000383 C-FILM,PEF;10nF,5%,50V,TP,6x7x3.2mm,5mm	
...4	C121	2301-000383 C-FILM,PEF;10nF,5%,50V,TP,6x7x3.2mm,5mm	
...4	C122	2301-000383 C-FILM,PEF;10nF,5%,50V,TP,6x7x3.2mm,5mm	
...4	C123	2305-000665 C-FILM,MPEF;100nF,5%,63V,TP,7.5x4.0x5.0m	
...4	C124	2305-000665 C-FILM,MPEF;100nF,5%,63V,TP,7.5x4.0x5.0m	
...4	C125	2305-000665 C-FILM,MPEF;100nF,5%,63V,TP,7.5x4.0x5.0m	
...4	C126	2301-000383 C-FILM,PEF;10nF,5%,50V,TP,6x7x3.2mm,5mm	
...4	C127	2305-000665 C-FILM,MPEF;100nF,5%,63V,TP,7.5x4.0x5.0m	
...4	C128	2201-000119 C-CERAMIC,DISC;100nF,+80-20%,50V,Y5V,TP,	
...4	C129	2401-001840 C-AL;100uF,20%,16V,GP,TP,6.3x11,5	
...4	C130	2401-001840 C-AL;100uF,20%,16V,GP,TP,6.3x11,5	
...4	C131	2301-000383 C-FILM,PEF;10nF,5%,50V,TP,6x7x3.2mm,5mm	
...4	C132	2401-000302 C-AL;100uF,20%,25V,GP,TP,6.3x11,5	
...4	C133	2305-000665 C-FILM,MPEF;100nF,5%,63V,TP,7.5x4.0x5.0m	
...4	C134	2305-000665 C-FILM,MPEF;100nF,5%,63V,TP,7.5x4.0x5.0m	
...4	C135	2401-003034 C-AL;220uF,20%,16V,WT,TP,8x11.5,5	
...4	C136	2401-002463 C-AL;470uF,20%,16V,GP,TP,8x11.5,5	
...4	C137	2401-001397 C-AL;470uF,20%,25V,GP,TP,10x16,5	
...4	C138	2401-000832 C-AL;220uF,20%,25V,GP,TP,8x11.5,5	
...4	C140	2305-000665 C-FILM,MPEF;100nF,5%,63V,TP,7.5x4.0x5.0m	
...4	C142	2401-002619 C-AL;47uF,20%,25V,GP,TP,5x11,5	

Electrical Parts List

Loc. No.	Code No.	Description ; Specification	Remark	Loc. No.	Code No.	Description ; Specification	Remark
....4 C144	2202-000632	C-CERAMIC,MLC-AXIAL;100nF,20%,50V,Z5U,TP		....4 PCB	AA41-00332B	PCB-MAIN;PCL545R,FR-1,1L,A,1.6T,330X245	
....4 C145	2202-000632	C-CERAMIC,MLC-AXIAL;100nF,20%,50V,Z5U,TP		....4 Q601	0501-000389	TR-SMALL SIGNAL;KSC815,NPN,400mW,TO-92,T	
....4 C146	2202-000632	C-CERAMIC,MLC-AXIAL;100nF,20%,50V,Z5U,TP		....4 Q666	0501-000389	TR-SMALL SIGNAL;KSC815,NPN,400mW,TO-92,T	
....4 C147	2202-000632	C-CERAMIC,MLC-AXIAL;100nF,20%,50V,Z5U,TP		....4 Q668	0501-000389	TR-SMALL SIGNAL;KSC815,NPN,400mW,TO-92,T	
....4 C149	2202-000632	C-CERAMIC,MLC-AXIAL;100nF,20%,50V,Z5U,TP		....4 Q701	0501-000389	TR-SMALL SIGNAL;KSC815,NPN,400mW,TO-92,T	
....4 C150	2202-000632	C-CERAMIC,MLC-AXIAL;100nF,20%,50V,Z5U,TP		....4 Q702	0501-000389	TR-SMALL SIGNAL;KSC815,NPN,400mW,TO-92,T	
....4 C151	2202-000632	C-CERAMIC,MLC-AXIAL;100nF,20%,50V,Z5U,TP		....4 R102	2001-000281	R-CARBON;1000HM,5%,1/8W,AA,TP,1.8X3.2MM	
....4 C152	2202-000632	C-CERAMIC,MLC-AXIAL;100nF,20%,50V,Z5U,TP		....4 R103	2001-000281	R-CARBON;1000HM,5%,1/8W,AA,TP,1.8X3.2MM	
....4 C153	2201-000119	C-CERAMIC,DISC;100nF,+80-20%,50V,Y5V,TP		....4 R104	2001-000066	R-CARBON(S);10KOHM,5%,1/2W,AA,TP,2.4X6.4	
....4 C154	2201-000119	C-CERAMIC,DISC;100nF,+80-20%,50V,Y5V,TP		....4 R105	2001-000281	R-CARBON;1000HM,5%,1/8W,AA,TP,1.8X3.2MM	
....4 C155	2201-000119	C-CERAMIC,DISC;100nF,+80-20%,50V,Y5V,TP		....4 R106	2001-000281	R-CARBON;1000HM,5%,1/8W,AA,TP,1.8X3.2MM	
....4 C157	2202-000632	C-CERAMIC,MLC-AXIAL;100nF,20%,50V,Z5U,TP		....4 R107	2001-000739	R-CARBON;4.7MOHM,5%,1/8W,AA,TP,1.8X3.2M	
....4 C191	2401-002619	C-AL;47uF,20%,25V,GP,TP,5x11,5		....4 R110	2001-000739	R-CARBON;4.7MOHM,5%,1/8W,AA,TP,1.8X3.2M	
....4 C666	2305-000665	C-FILM,MPEF;100nF,5%,63V,TP,7.5x4.0x5.0m		....4 R111	2001-000037	R-CARBON(S);330OHM,5%,1/2W,AA,TP,2.4X6.4	
....4 C667	2401-000603	C-AL;1uF,20%,50V,GP,TP,5x11,5		....4 R112	2001-000739	R-CARBON;4.7MOHM,5%,1/8W,AA,TP,1.8X3.2M	
....4 C668	2401-000603	C-AL;1uF,20%,50V,GP,TP,5x11,5		....4 R113	2001-000739	R-CARBON;4.7MOHM,5%,1/8W,AA,TP,1.8X3.2M	
....4 C676	2401-001192	C-AL;33uF,20%,50V,GP,TP,6.3x11,5		....4 R115	2001-000869	R-CARBON;56OHM,5%,1/8W,AA,TP,1.8X3.2MM	
....4 C686	2301-000192	C-FILM,PEF;1nF,5%,50V,TP,5.3x10mm,5mm		....4 R117	2001-000938	R-CARBON;68OHM,5%,1/8W,AA,TP,1.8X3.2MM	
....4 C687	2301-000192	C-FILM,PEF;1nF,5%,50V,TP,5.3x10mm,5mm		....4 R602	2001-000429	R-CARBON;1KOHM,5%,1/8W,AA,TP,1.8X3.2MM	
....4 C688	2401-000192	C-AL;1000uF,20%,50V,GP,TP,16x25,7.5		....4 R603	2001-001097	R-CARBON(S);2.4KOHM,5%,1/2W,AA,TP,2.4X6.	
....4 C689	2305-000665	C-FILM,MPEF;100nF,5%,63V,TP,7.5x4.0x5.0m		....4 R604	2001-001168	R-CARBON(S);6.8KOHM,5%,1/2W,AA,TP,2.4X6.	
....4 C690	2305-000665	C-FILM,MPEF;100nF,5%,63V,TP,7.5x4.0x5.0m		....4 R605	2001-001106	R-CARBON(S);220KOHM,5%,1/2W,AA,TP,2.4X6.	
....4 C691	2401-000192	C-AL;1000uF,20%,50V,GP,TP,16x25,7.5		....4 R661	2004-001970	R-METAL;1.8Kohm,1%,1/2W,AA,TP,6.5x2.5m	
....4 C701	2401-000027	C-AL;4.7uF,20%,50V,GP,TP,5x11,5		....4 R662	2004-001970	R-METAL;1.8Kohm,1%,1/2W,AA,TP,6.5x2.5m	
....4 C801	2401-002300	C-AL;47uF,20%,50V,GP,TP,6.3x11,5		....4 R663	2001-000660	R-CARBON;33KOHM,5%,1/8W,AA,TP,1.8X3.2MM	
....4 C901	2401-002235	C-AL;10uF,20%,16V,GP,TP,5x11mm,5mm		....4 R664	2004-001970	R-METAL;1.8Kohm,1%,1/2W,AA,TP,6.5x2.5m	
....4 C902	2201-000119	C-CERAMIC,DISC;100nF,+80-20%,50V,Y5V,TP		....4 R665	2001-000066	R-CARBON(S);10KOHM,5%,1/2W,AA,TP,2.4X6.4	
....4 C903	2201-000119	C-CERAMIC,DISC;100nF,+80-20%,50V,Y5V,TP		....4 R666	2001-000066	R-CARBON(S);10KOHM,5%,1/2W,AA,TP,2.4X6.4	
....4 CN101	3711-002642	CONNECTOR-HEADER;BOX,3P,1R,2.5MM,STRAIGH		....4 R669	2001-001121	R-CARBON(S);3.6KOHM,5%,1/2W,AA,TP,2.4X6.	
....4 CN601	3711-002643	CONNECTOR-HEADER;BOX,4P,1R,2.5MM,STRAIGH		....4 R670	2001-000085	R-CARBON(S);100KOHM,5%,1/2W,AA,TP,2.4X6.	
....4 CN902	3711-002642	CONNECTOR-HEADER;BOX,3P,1R,2.5MM,STRAIGH		....4 R671	2001-000066	R-CARBON(S);10KOHM,5%,1/2W,AA,TP,2.4X6.4	
....4 CNY01	3711-002645	CONNECTOR-HEADER;BOX,6P,1R,2.5MM,STRAIGH		....4 R672	2001-000066	R-CARBON(S);10KOHM,5%,1/2W,AA,TP,2.4X6.4	
....4 CZ101	2401-000832	C-AL;2200uF,20%,25V,GP,TP,8x11,5,5		....4 R673	2001-001086	R-CARBON(S);33Kohm,1%,1/2W,AA,TP,2.4X6.4	
....4 CZ102	2401-001840	C-AL;100uF,20%,16V,GP,TP,6.3x11,5		....4 R673A	2001-001144	R-CARBON(S);4.7KOHM,5%,1/2W,AA,TP,2.4X6.	
....4 CZ103	2401-000689	C-AL;2200uF,20%,16V,GP,TP,13x25,5		....4 R681	2004-001970	R-METAL;1.8Kohm,1%,1/2W,AA,TP,6.5x2.5m	
....4 CZ104	2401-000689	C-AL;2200uF,20%,16V,GP,TP,13x25,5		....4 R682	2004-002019	R-METAL(S);33Kohm,1%,1/2W,AA,TP,2.5x6.5m	
....4 CZ105	2201-000119	C-CERAMIC,DISC;100nF,+80-20%,50V,Y5V,TP		....4 R683	2004-002019	R-METAL(S);33Kohm,1%,1/2W,AA,TP,2.5x6.5m	
....4 CZ106	2201-000119	C-CERAMIC,DISC;100nF,+80-20%,50V,Y5V,TP		....4 R685	2004-001390	R-METAL(S);1Kohm,2%,1/2W,AA,TP,2.4x6.4mm	
....4 CZ107	2201-000119	C-CERAMIC,DISC;100nF,+80-20%,50V,Y5V,TP		....4 R686	2004-001390	R-METAL(S);1Kohm,2%,1/2W,AA,TP,2.4x6.4mm	
....4 CZ108	2201-000982	C-CERAMIC,DISC;10nF,+80-20%,50V,Y5V,TP,4		....4 R687	2001-001146	R-CARBON(S);4.7OHM,5%,1/2W,AA,TP,2.4X6.4	
....4 CZ109	2202-000632	C-CERAMIC,MLC-AXIAL;100nF,20%,50V,Z5U,TP		....4 R689	2001-001146	R-CARBON(S);4.7OHM,5%,1/2W,AA,TP,2.4X6.4	
....4 CZ110	2202-000632	C-CERAMIC,MLC-AXIAL;100nF,20%,50V,Z5U,TP		....4 R690	2001-001144	R-CARBON(S);4.7KOHM,5%,1/2W,AA,TP,2.4X6.	
....4 D603	0401-000005	DIODE-SWITCHING;1N4148,100V,200mA,DO-35,		....4 R691	2001-001144	R-CARBON(S);1KOHM,5%,1/2W,AA,TP,2.4X6.	
....4 D604	0401-000005	DIODE-SWITCHING;1N4148,100V,200mA,DO-35,		....4 R701	2001-000786	R-CARBON;47KOHM,5%,1/8W,AA,TP,1.8X3.2MM	
....4 D605	0401-000005	DIODE-SWITCHING;1N4148,100V,200mA,DO-35,		....4 R702	2001-000290	R-CARBON;10KOHM,5%,1/8W,AA,TP,1.8X3.2MM	
....4 D606	0401-000005	DIODE-SWITCHING;1N4148,100V,200mA,DO-35,		....4 R703	2001-000290	R-CARBON;10KOHM,5%,1/8W,AA,TP,1.8X3.2MM	
....4 D664	0402-000546	DIODE-RECTIFIER;TVR10G,400V,1.0A,DO-41,T		....4 R704	2001-000290	R-CARBON;10KOHM,5%,1/8W,AA,TP,1.8X3.2MM	
....4 D665	0401-000005	DIODE-SWITCHING;1N4148,100V,200mA,DO-35,		....4 R888	2003-001098	R-METAL OXIDE(S);22Kohm,5%,3W,AA,TP,6x16	
....4 D701	0401-000005	DIODE-SWITCHING;1N4148,100V,200mA,DO-35,		....4 RF101	2008-001116	R-FUSIBLE(S);0.68ohm,10%,2W,AG,TP,3.9x12	
....4 D702	0401-000005	DIODE-SWITCHING;1N4148,100V,200mA,DO-35,		....4 RF104	2008-000266	R-FUSIBLE(S);1ohm,5%,2W,AF,TP,3.9x10mm	
....4 D703	0401-000005	DIODE-SWITCHING;1N4148,100V,200mA,DO-35,		....4 RF121	2008-000266	R-FUSIBLE(S);1ohm,5%,2W,AF,TP,3.9x10mm	
....4 DZ128	0402-000546	DIODE-RECTIFIER;TVR10G,400V,1.0A,DO-41,T		....4 RZ01	2001-000037	R-CARBON(S);330OHM,5%,1/2W,AA,TP,2.4X6.4	
....4 DZ665	0403-001039	DIODE-ZENER;MA2560,56V,52-60V,1W,DO-41,T		....4 RZ02	2001-000739	R-CARBON;4.7MOHM,5%,1/8W,AA,TP,1.8X3.2M	
....4 DZ701	0403-001140	DIODE-ZENER;RD10ESAB-T4,10V,9.19-10.30V,		....4 RZ101	2001-000429	R-CARBON;1KOHM,5%,1/8W,AA,TP,1.8X3.2MM	
....4 DZ801	0403-000700	DIODE-ZENER;TZP33A,33V,31-35V,1W,DO-41,T		....4 RZ102	2001-000429	R-CARBON;1KOHM,5%,1/8W,AA,TP,1.8X3.2MM	
....4 L100	2701-000159	INDUCTOR-AXIAL;22uH,10%,4.2x9.8mm		..2	AA39-20010F	LEAD CONNECTOR-ASSY;1PYFH800-01,S,700	
....4 L101	2701-000115	INDUCTOR-AXIAL;10uH,10%,3x7mm		..2	AA39-20577A	LEAD CONNECTOR-ASSY;G(3)PYFH806-06,800	
....4 L102	2701-000159	INDUCTOR-AXIAL;22uH,10%,4.2x9.8mm		..2	AA95-00996A	ASSY-PCB,DW-SRC,PCL545R,P54A	
....4 L103	2701-000115	INDUCTOR-AXIAL;10uH,10%,3x7mm		..3 CN01	3703-001124	CONNECTOR-DIN;32P,2R,MALE,ANGLE,AUF	
....4 L104	2701-000115	INDUCTOR-AXIAL;10uH,10%,3x7mm		..3 CN02	3703-001124	CONNECTOR-DIN;32P,2R,MALE,ANGLE,AUF	
....4 L105	2701-000115	INDUCTOR-AXIAL;10uH,10%,3x7mm		..3 CX01	2801-004019	CRYSTAL-UNIT;20.25MHz,30ppm,28-AAM,13pF	
....4 L107	2701-000115	INDUCTOR-AXIAL;10uH,10%,3x7mm		..3 DX01	2801-003811	CRYSTAL-UNIT;24.576MHz,20ppm,28-AAM,30PF	
....4 L108	2701-001007	INDUCTOR-AXIAL;24uH,10%,4.5x14mm		..3 PX01	2801-004019	CRYSTAL-UNIT;20.25MHz,30ppm,28-AAM,13pF	
....4 L110	2701-000116	INDUCTOR-AXIAL;10uH,10%,4.2x9.8mm		..3	0202-000187	SOLDER-WIRE FLUX;-RS60S,D1.2.63Sn/37Pb	
....4 L111	3301-000287	CORE-FERRITE BEAD;AA,3.5x1.0x6.0mm,1500,		..3	AA99-20088T	ASSY-PCB SUB,AUTO; AA95-00996A ,V	S.N.A
....4 L112	3301-000287	CORE-FERRITE BEAD;AA,3.5x1.0x6.0mm,1500,		....4 CC01	2203-001603	C-CERAMIC,CHIP;220nF,10%,16V,X7R,TP,2012	
....4 L113	2901-000297	FILTER-EMI ON BOARD;-3A,-,-,3.5x5,TP-		....4 CC02	2203-000181	C-CERAMIC,CHIP;100nF,+80-20%,25V,Y5V,TP,	
....4 L603	3301-000287	CORE-FERRITE BEAD;AA,3.5x1.0x6.0mm,1500,		....4 CC03	2203-001603	C-CERAMIC,CHIP;220nF,10%,16V,X7R,TP,2012	
....4 L604	3301-000287	CORE-FERRITE BEAD;AA,3.5x1.0x6.0mm,1500,		....4 CC04	2203-001603	C-CERAMIC,CHIP;220nF,10%,16V,X7R,TP,2012	
....4 L605	3301-000287	CORE-FERRITE BEAD;AA,3.5x1.0x6.0mm,1500,		....4 CC05	2203-000140	C-CERAMIC,CHIP;1.5nF,10%,50V,X7R,TP,1608	
....4 L901	2701-000115	INDUCTOR-AXIAL;10uH,10%,3x7mm		....4 CC06	2203-000838	C-CERAMIC,CHIP;0.39nF,5%,50V,NPO,TP,1608	
....4 LDZ101	0403-000510	DIODE-ZENER;MTZJ6.2B,6.2V,5.96-6.27V,500		....4 CC07	2203-000181	C-CERAMIC,CHIP;100nF,+80-20%,25V,Y5V,TP,	
....4 LDZ102	0403-000510	DIODE-ZENER;MTZJ6.2B,6.2V,5.96-6.27V,500		....4 CC08	2203-000975	C-CERAMIC,CHIP;47nF,10%,25V,X7R,TP,1608,	
....4 LZ101	2701-000142	INDUCTOR-AXIAL;1uH,10%,2.5x3.4mm		....4 CC09	2203-000140	C-CERAMIC,CHIP;1.5nF,10%,50V,X7R,TP,1608	
....4 LZ102	2701-000142	INDUCTOR-AXIAL;1uH,10%,2.5x3.4mm		....4 CC10	2203-000181	C-CERAMIC,CHIP;100nF,+80-20%,25V,Y5V,TP,	
....4 LZ103	2701-001030	INDUCTOR-AXIAL;43uH,10%,5x14mm		....4 CC11	2203-000181	C-CERAMIC,CHIP;100nF,+80-20%,25V,Y5V,TP,	
....4 LZ104	2701-001030	INDUCTOR-AXIAL;43uH,10%,5x14mm		....4 CC12	2203-000181	C-CERAMIC,CHIP;100nF,+80-20%,25V,Y5V,TP,	

Loc. No.	Code No.	Description ; Specification	Remark	Loc. No.	Code No.	Description ; Specification	Remark
...4	CC13	2203-000181	C-CERAMIC,CHIP;100nF,+80-20%,25V,Y5V,TP,	...4	CR45	2007-000074	R-CHIP;100ohm,5%,1/16W,DA,TP,1608
...4	CC14	2203-000181	C-CERAMIC,CHIP;100nF,+80-20%,25V,Y5V,TP,	...4	CR46	2007-000078	R-CHIP;1Kohm,5%,1/16W,DA,TP,1608
...4	CC15	2203-001646	C-CERAMIC,CHIP;3pF,0.5pF,50V,NPO,TP,2012	...4	CR47	2007-000097	R-CHIP;47Kohm,5%,1/16W,DA,TP,1608
...4	CC16	2203-001646	C-CERAMIC,CHIP;3pF,0.5pF,50V,NPO,TP,2012	...4	CR48	2007-000097	R-CHIP;47Kohm,5%,1/16W,DA,TP,1608
...4	CC17	2401-002183	C-AL;220uF,20%,16V,GP,TP,8x9,5mm	...4	CR49	2007-000077	R-CHIP;470ohm,5%,1/16W,DA,TP,1608
...4	CC18	2203-000975	C-CERAMIC,CHIP;47nF,10%,25V,X7R,TP,1608,	...4	CR50	2007-000097	R-CHIP;47Kohm,5%,1/16W,DA,TP,1608
...4	CC19	2401-001496	C-AL;47uF,20%,16V,GP,TP,5x7,5	...4	CR51	2007-000097	R-CHIP;47Kohm,5%,1/16W,DA,TP,1608
...4	CC20	2203-001603	C-CERAMIC,CHIP;220nF,10%,16V,X7R,TP,2012	...4	CR52	2007-000077	R-CHIP;470ohm,5%,1/16W,DA,TP,1608
...4	CC21	2203-000140	C-CERAMIC,CHIP;1.5nF,10%,50V,X7R,TP,1608	...4	CR53	2007-000097	R-CHIP;47Kohm,5%,1/16W,DA,TP,1608
...4	CC22	2203-000838	C-CERAMIC,CHIP;0.39nF,5%,50V,NPO,TP,1608	...4	CR54	2007-000097	R-CHIP;47Kohm,5%,1/16W,DA,TP,1608
...4	CC23	2203-000440	C-CERAMIC,CHIP;1nF,10%,50V,X7R,TP,1608,-	...4	CR55	2007-000077	R-CHIP;470ohm,5%,1/16W,DA,TP,1608
...4	CC24	2203-005590	C-CERAMIC,CHIP;330NF,10%,16V,X7R,TP,2012	...4	CR56	2007-000029	R-CHIP;00HM,5%,1/10W,DA,TP,2012
...4	CC25	2203-005590	C-CERAMIC,CHIP;330NF,10%,16V,X7R,TP,2012	...4	DC16	2401-001496	C-AL;47uF,20%,16V,GP,TP,5x7,5
...4	CC26	2203-005590	C-CERAMIC,CHIP;330NF,10%,16V,X7R,TP,2012	...4	DC17	2401-002009	C-AL;100uF,20%,16V,GP,TP,6.3x7,5
...4	CC27	2203-005590	C-CERAMIC,CHIP;330NF,10%,16V,X7R,TP,2012	...4	DC18	2203-000181	C-CERAMIC,CHIP;100nF,+80-20%,25V,Y5V,TP,
...4	CC28	2401-001496	C-AL;47uF,20%,16V,GP,TP,5x7,5	...4	DC19	2401-002009	C-AL;100uF,20%,16V,GP,TP,6.3x7,5
...4	CC29	2203-001603	C-CERAMIC,CHIP;220nF,10%,16V,X7R,TP,2012	...4	DC20	2203-000181	C-CERAMIC,CHIP;100nF,+80-20%,25V,Y5V,TP,
...4	CC30	2203-000140	C-CERAMIC,CHIP;1.5nF,10%,50V,X7R,TP,1608	...4	DC21	2203-001083	C-CERAMIC,CHIP;0.005nF,0.1pF,50V,NPO,TP,
...4	CC31	2203-000838	C-CERAMIC,CHIP;0.39nF,5%,50V,NPO,TP,1608	...4	DC22	2203-001083	C-CERAMIC,CHIP;0.005nF,0.1pF,50V,NPO,TP,
...4	CC32	2401-002183	C-AL;220uF,20%,16V,GP,TP,8x9,5mm	...4	DC23	2203-002494	C-CERAMIC,CHIP;470nF,10%,16V,X7R,TP,2012
...4	CC33	2203-000975	C-CERAMIC,CHIP;47nF,10%,25V,X7R,TP,1608,	...4	DC24	2203-001656	C-CERAMIC,CHIP;0.47nF,5%,50V,NPO,TP,1608
...4	CC35	2203-005590	C-CERAMIC,CHIP;330NF,10%,16V,X7R,TP,2012	...4	DC25	2203-000440	C-CERAMIC,CHIP;1nF,10%,50V,X7R,TP,1608,-
...4	CC36	2203-005590	C-CERAMIC,CHIP;330NF,10%,16V,X7R,TP,2012	...4	DC26	2203-000440	C-CERAMIC,CHIP;1nF,10%,50V,X7R,TP,1608,-
...4	CC37	2203-000681	C-CERAMIC,CHIP;0.027nF,5%,50V,NPO,TP,160	...4	DC27	2401-000598	C-AL;1uF,20%,50V,GP,TP,4x7,5
...4	CC38	2203-000681	C-CERAMIC,CHIP;0.027nF,5%,50V,NPO,TP,160	...4	DC28	2203-000181	C-CERAMIC,CHIP;100nF,+80-20%,25V,Y5V,TP,
...4	CC39	2203-000681	C-CERAMIC,CHIP;0.027nF,5%,50V,NPO,TP,160	...4	DC29	2203-000440	C-CERAMIC,CHIP;1nF,10%,50V,X7R,TP,1608,-
...4	CC40	2203-000681	C-CERAMIC,CHIP;0.027nF,5%,50V,NPO,TP,160	...4	DC30	2203-000440	C-CERAMIC,CHIP;1nF,10%,50V,X7R,TP,1608,-
...4	CC41	2203-000998	C-CERAMIC,CHIP;0.047nF,5%,50V,NPO,TP,160	...4	DC31	2203-000440	C-CERAMIC,CHIP;1nF,10%,50V,X7R,TP,1608,-
...4	CC42	2401-001496	C-AL;47uF,20%,16V,GP,TP,5x7,5	...4	DC32	2203-000181	C-CERAMIC,CHIP;100nF,+80-20%,25V,Y5V,TP,
...4	CC43	2203-000181	C-CERAMIC,CHIP;100nF,+80-20%,25V,Y5V,TP,	...4	DC33	2203-000181	C-CERAMIC,CHIP;100nF,+80-20%,25V,Y5V,TP,
...4	CC44	2401-001496	C-AL;47uF,20%,16V,GP,TP,5x7,5	...4	DC34	2203-000998	C-CERAMIC,CHIP;0.047nF,5%,50V,NPO,TP,160
...4	CC45	2401-000486	C-AL;10uF,20%,50V,GP,TP,6.3x7mm,5	...4	DC35	2203-000181	C-CERAMIC,CHIP;100nF,+80-20%,25V,Y5V,TP,
...4	CC47	2203-000181	C-CERAMIC,CHIP;100nF,+80-20%,25V,Y5V,TP,	...4	DC36	2203-000236	C-CERAMIC,CHIP;0.1nF,5%,50V,NPO,TP,1608
...4	CC48	2203-005384	C-CERAMIC,CHIP;4700nF,+80-20%,10V,Y5V,TP	...4	DC37	2203-000140	C-CERAMIC,CHIP;1.5nF,10%,50V,X7R,TP,1608
...4	CC49	2203-005384	C-CERAMIC,CHIP;4700nF,+80-20%,10V,Y5V,TP	...4	DC38	2203-000236	C-CERAMIC,CHIP;0.1nF,5%,50V,NPO,TP,1608
...4	CC50	2203-005384	C-CERAMIC,CHIP;4700nF,+80-20%,10V,Y5V,TP	...4	DC39	2401-000598	C-AL;1uF,20%,50V,GP,TP,4x7,5
...4	CD01	0401-000133	DIODE-SWITCHING;RLS4148,100V,200mA,SOD-8	...4	DD01	0401-000133	DIODE-SWITCHING;RLS4148,100V,200mA,SOD-8
...4	CD02	0401-000133	DIODE-SWITCHING;RLS4148,100V,200mA,SOD-8	...4	DD02	0401-000133	DIODE-SWITCHING;RLS4148,100V,200mA,SOD-8
...4	CF01	2901-001120	FILTER-EMI SMD;25V,100mA,-,3.2x1.6x1,T	...4	DD03	0403-000689	DIODE-ZENER;DTZ5.1A,5.1V,4.84-5.04V,200m
...4	CF02	2901-001120	FILTER-EMI SMD;25V,100mA,-,3.2x1.6x1,T	...4	DD06	0403-000689	DIODE-ZENER;DTZ5.1A,5.1V,4.84-5.04V,200m
...4	CL03	3301-001186	CORE-FERRITE BEAD;AB,600ohm,3.2x1.6x1.3m	...4	DD07	0401-000133	DIODE-SWITCHING;RLS4148,100V,200mA,SOD-8
...4	CL05	3301-001324	CORE-FERRITE BEAD;AB,150HM,2X1.25X0.9MM,	...4	DL05	3301-001324	CORE-FERRITE BEAD;AB,150HM,2X1.25X0.9MM,
...4	CL06	3301-001324	CORE-FERRITE BEAD;AB,150HM,2X1.25X0.9MM,	...4	DL06	3301-001324	CORE-FERRITE BEAD;AB,150HM,2X1.25X0.9MM,
...4	CL07	3301-001324	CORE-FERRITE BEAD;AB,150HM,2X1.25X0.9MM,	...4	DL07	2702-001092	INDUCTOR-RADIAL;2.2uH,10%,6x4mm
...4	CQ01	0501-000344	TR-SMALL SIGNAL;KSC1623-G,NPN,200mW,SOT-	...4	DQ01	0501-000280	TR-SMALL SIGNAL;KSA1182,PNP,150mW,SOT-23
...4	CQ02	0501-000344	TR-SMALL SIGNAL;KSC1623-G,NPN,200mW,SOT-	...4	DR16	2007-000074	R-CHIP;100ohm,5%,1/16W,DA,TP,1608
...4	CQ03	0501-000344	TR-SMALL SIGNAL;KSC1623-G,NPN,200mW,SOT-	...4	DR17	2007-000074	R-CHIP;100ohm,5%,1/16W,DA,TP,1608
...4	CQ04	0501-000344	TR-SMALL SIGNAL;KSC1623-G,NPN,200mW,SOT-	...4	DR18	2007-000101	R-CHIP;82Kohm,5%,1/16W,DA,TP,1608
...4	CQ05	0501-000344	TR-SMALL SIGNAL;KSC1623-G,NPN,200mW,SOT-	...4	DR19	2007-000072	R-CHIP;47ohm,5%,1/16W,DA,TP,1608
...4	CR01	2007-000166	R-CHIP;750HM,5%,1/10W,DA,TP,2012	...4	DR20	2007-000081	R-CHIP;2.7Kohm,5%,1/16W,DA,TP,1608
...4	CR02	2007-001166	R-CHIP;750HM,5%,1/10W,DA,TP,2012	...4	DR22	2007-000084	R-CHIP;4.7Kohm,5%,1/16W,DA,TP,1608
...4	CR03	2007-001166	R-CHIP;750HM,5%,1/10W,DA,TP,2012	...4	DR23	2007-000097	R-CHIP;47Kohm,5%,1/16W,DA,TP,1608
...4	CR04	2007-001166	R-CHIP;750HM,5%,1/10W,DA,TP,2012	...4	DR24	2007-000100	R-CHIP;68Kohm,5%,1/16W,DA,TP,1608
...4	CR05	2007-001167	R-CHIP;75ohm,5%,1/16W,DA,TP,1608	...4	DR25	2007-000129	R-CHIP;27Kohm,5%,1/16W,DA,TP,1608
...4	CR06	2007-001167	R-CHIP;75ohm,5%,1/16W,DA,TP,1608	...4	DR26	2007-000090	R-CHIP;10Kohm,5%,1/16W,DA,TP,1608
...4	CR07	2007-001167	R-CHIP;75ohm,5%,1/16W,DA,TP,1608	...4	DR27	2007-000127	R-CHIP;9.1Kohm,5%,1/16W,DA,TP,1608
...4	CR08	2007-001167	R-CHIP;75ohm,5%,1/16W,DA,TP,1608	...4	DR29	2007-000078	R-CHIP;1Kohm,5%,1/16W,DA,TP,1608
...4	CR09	2007-000074	R-CHIP;100ohm,5%,1/16W,DA,TP,1608	...4	DR30	2007-000078	R-CHIP;1Kohm,5%,1/16W,DA,TP,1608
...4	CR10	2007-000074	R-CHIP;100ohm,5%,1/16W,DA,TP,1608	...4	DR31	2007-000078	R-CHIP;1Kohm,5%,1/16W,DA,TP,1608
...4	CR12	2007-000072	R-CHIP;47ohm,5%,1/16W,DA,TP,1608	...4	DR32	2007-000118	R-CHIP;390ohm,5%,1/16W,DA,TP,1608
...4	CR13	2007-000072	R-CHIP;47ohm,5%,1/16W,DA,TP,1608	...4	DR33	2007-000078	R-CHIP;1Kohm,5%,1/16W,DA,TP,1608
...4	CR14	2007-000072	R-CHIP;47ohm,5%,1/16W,DA,TP,1608	...4	DR34	2007-000074	R-CHIP;100ohm,5%,1/16W,DA,TP,1608
...4	CR15	2007-000029	R-CHIP;00HM,5%,1/10W,DA,TP,2012	...4	DR35	2007-000084	R-CHIP;4.7Kohm,5%,1/16W,DA,TP,1608
...4	CR16	2007-000029	R-CHIP;00HM,5%,1/10W,DA,TP,2012	...4	DR36	2007-000077	R-CHIP;470ohm,5%,1/16W,DA,TP,1608
...4	CR20	2007-000074	R-CHIP;100ohm,5%,1/16W,DA,TP,1608	...4	DR37	2007-000084	R-CHIP;4.7Kohm,5%,1/16W,DA,TP,1608
...4	CR22	2007-000074	R-CHIP;100ohm,5%,1/16W,DA,TP,1608	...4	DR38	2007-000079	R-CHIP;1.8Kohm,5%,1/16W,DA,TP,1608
...4	CR25	2007-001166	R-CHIP;750HM,5%,1/10W,DA,TP,2012	...4	DR40	2007-000074	R-CHIP;100ohm,5%,1/16W,DA,TP,1608
...4	CR27	2007-000074	R-CHIP;100ohm,5%,1/16W,DA,TP,1608	...4	DR41	2007-000074	R-CHIP;100ohm,5%,1/16W,DA,TP,1608
...4	CR28	2007-000078	R-CHIP;1Kohm,5%,1/16W,DA,TP,1608	...4	DR44	2007-000084	R-CHIP;4.7Kohm,5%,1/16W,DA,TP,1608
...4	CR29	2007-000124	R-CHIP;2.2Kohm,5%,1/16W,DA,TP,1608	...4	DR46	2007-000124	R-CHIP;2.2Kohm,5%,1/16W,DA,TP,1608
...4	CR30	2007-000119	R-CHIP;560ohm,5%,1/16W,DA,TP,1608	...4	IC01	1204-001598	IC-VIDEO PROCESS;VPC32300-B2,QFP,80P,-,P
...4	CR31	2007-000643	R-CHIP;270ohm,5%,1/16W,DA,TP,1608	...4	IC02	1204-001623	IC-VIDEO PROCESS;SDA9400,QFP,64P,-,P
...4	CR32	2007-000290	R-CHIP;1000HM,5%,1/10W,DA,TP,2012	...4	IC03	1002-001045	IC-D/A CONVERTER;9280,8BIT,PLCC,68P,-,P
...4	CR33	2007-000290	R-CHIP;1000HM,5%,1/10W,DA,TP,2012	...4	IC06	1204-001372	IC-HOR./VER.PROCESS;SDA9361,QFP,44P,-,P
...4	CR35	2007-000090	R-CHIP;10Kohm,5%,1/16W,DA,TP,1608	...4	IC07	1204-001550	IC-VIDEO PROCESS;CXA2101AQ,QFP,80P,-,PLA
...4	CR37	2007-000074	R-CHIP;100ohm,5%,1/16W,DA,TP,1608	...4	IC11	1203-001419	IC-VOLTAGE REGULATOR;4931,TO-252,3P,6x
...4	CR38	2007-000074	R-CHIP;100ohm,5%,1/16W,DA,TP,1608	...4	IC12	1203-001140	IC-VOL. DETECTOR;7039,TO-92P,3P,-,PLASTI

Electrical Parts List

Loc. No.	Code No.	Description ; Specification	Remark	Loc. No.	Code No.	Description ; Specification	Remark
....4	IC13	1203-001419	IC-VOLTAGE REGULATOR;4931,TO-252,3P,6.6x	....4	SC06	2203-000181	C-CERAMIC,CHIP;100nF,+80-20%,25V,Y5V,TP,
....4	PC01	2203-001603	C-CERAMIC,CHIP;220nF,10%,16V,X7R,TP,2012	....4	SC07	2203-000181	C-CERAMIC,CHIP;100nF,+80-20%,25V,Y5V,TP,
....4	PC02	2203-000140	C-CERAMIC,CHIP;1.5nF,10%,50V,X7R,TP,1608	....4	SC08	2203-000181	C-CERAMIC,CHIP;100nF,+80-20%,25V,Y5V,TP,
....4	PC03	2203-000838	C-CERAMIC,CHIP;0.39nF,5%,50V,NP0,TP,1608	....4	SC09	2203-000181	C-CERAMIC,CHIP;100nF,+80-20%,25V,Y5V,TP,
....4	PC04	2203-000181	C-CERAMIC,CHIP;100nF,+80-20%,25V,Y5V,TP,	....4	SC11	2203-000181	C-CERAMIC,CHIP;100nF,+80-20%,25V,Y5V,TP,
....4	PC05	2203-000975	C-CERAMIC,CHIP;47nF,10%,25V,X7R,TP,1608,	....4	SC12	2203-000181	C-CERAMIC,CHIP;100nF,+80-20%,25V,Y5V,TP,
....4	PC06	2203-000140	C-CERAMIC,CHIP;1.5nF,10%,50V,X7R,TP,1608	....4	SC13	2203-000181	C-CERAMIC,CHIP;100nF,+80-20%,25V,Y5V,TP,
....4	PC07	2203-000181	C-CERAMIC,CHIP;100nF,+80-20%,25V,Y5V,TP,	....4	SC14	2203-000181	C-CERAMIC,CHIP;100nF,+80-20%,25V,Y5V,TP,
....4	PC08	2203-000181	C-CERAMIC,CHIP;100nF,+80-20%,25V,Y5V,TP,	....4	SC21	2203-000181	C-CERAMIC,CHIP;100nF,+80-20%,25V,Y5V,TP,
....4	PC09	2203-000181	C-CERAMIC,CHIP;100nF,+80-20%,25V,Y5V,TP,	....4	SC22	2401-003102	C-AL;100uF,20%,10V,GP,TP,5x11,5
....4	PC10	2203-000181	C-CERAMIC,CHIP;100nF,+80-20%,25V,Y5V,TP,	....4	SC23	2203-000181	C-CERAMIC,CHIP;100nF,+80-20%,25V,Y5V,TP,
....4	PC11	2203-000181	C-CERAMIC,CHIP;100nF,+80-20%,25V,Y5V,TP,	....4	SC24	2203-000181	C-CERAMIC,CHIP;100nF,+80-20%,25V,Y5V,TP,
....4	PC12	2203-001646	C-CERAMIC,CHIP;3pF,0.5pF,50V,NP0,TP,2012	....4	SC25	2203-000140	C-CERAMIC,CHIP;0.1nF,5%,50V,NP0,TP,1608
....4	PC13	2203-001646	C-CERAMIC,CHIP;3pF,0.5pF,50V,NP0,TP,2012	....4	SC26	2203-000236	C-CERAMIC,CHIP;0.1nF,5%,50V,NP0,TP,1608
....4	PC14	2401-002183	C-AL;220uF,20%,16V,GP,TP,8x9,5mm	....4	SC27	2203-000181	C-CERAMIC,CHIP;100nF,+80-20%,25V,Y5V,TP,
....4	PC15	2203-000975	C-CERAMIC,CHIP;47nF,10%,25V,X7R,TP,1608,	....4	SC28	2203-000552	C-CERAMIC,CHIP;0.02nF,5%,50V,NP0,TP,1608
....4	PC16	2401-002144	C-AL;47uF,20%,16V,GP,TP,5x11,5	....4	SC29	2203-000181	C-CERAMIC,CHIP;100nF,+80-20%,25V,Y5V,TP,
....4	PC17	2203-001603	C-CERAMIC,CHIP;220nF,10%,16V,X7R,TP,2012	....4	SC30	2401-000480	C-AL;10uF,20%,50V,GP,TP,5x11,5
....4	PC18	2203-000140	C-CERAMIC,CHIP;1.5nF,10%,50V,X7R,TP,1608	....4	SC31	2401-000480	C-AL;10uF,20%,50V,GP,TP,5x11,5
....4	PC19	2203-000838	C-CERAMIC,CHIP;0.39nF,5%,50V,NP0,TP,1608	....4	SC32	2203-000181	C-CERAMIC,CHIP;100nF,+80-20%,25V,Y5V,TP,
....4	PC20	2203-000440	C-CERAMIC,CHIP;1nF,10%,50V,X7R,TP,1608,-	....4	SC33	2203-000552	C-CERAMIC,CHIP;0.02nF,5%,50V,NP0,TP,1608
....4	PC21	2203-000590	C-CERAMIC,CHIP;330NF,10%,16V,X7R,TP,2012	....4	SC34	2203-000181	C-CERAMIC,CHIP;100nF,+80-20%,25V,Y5V,TP,
....4	PC22	2203-000590	C-CERAMIC,CHIP;330NF,10%,16V,X7R,TP,2012	....4	SC35	2203-000181	C-CERAMIC,CHIP;100nF,+80-20%,25V,Y5V,TP,
....4	PC23	2401-001496	C-AL;47uF,20%,16V,GP,TP,5x7,5	....4	SC36	2401-000480	C-AL;10uF,20%,50V,GP,TP,5x11,5
....4	PC24	2203-001603	C-CERAMIC,CHIP;220nF,10%,16V,X7R,TP,2012	....4	SC37	2203-000181	C-CERAMIC,CHIP;100nF,+80-20%,25V,Y5V,TP,
....4	PC25	2203-000140	C-CERAMIC,CHIP;1.5nF,10%,50V,X7R,TP,1608	....4	SC38	2203-000552	C-CERAMIC,CHIP;0.02nF,5%,50V,NP0,TP,1608
....4	PC26	2203-000838	C-CERAMIC,CHIP;0.39nF,5%,50V,NP0,TP,1608	....4	SC51	2401-001496	C-AL;47uF,20%,16V,GP,TP,5x7,5
....4	PC27	2401-002183	C-AL;220uF,20%,16V,GP,TP,8x9,5mm	....4	SC52	2203-000181	C-CERAMIC,CHIP;100nF,+80-20%,25V,Y5V,TP,
....4	PC28	2203-000975	C-CERAMIC,CHIP;47nF,10%,25V,X7R,TP,1608,	....4	SC53	2401-001496	C-AL;47uF,20%,16V,GP,TP,5x7,5
....4	PC29	2203-000181	C-CERAMIC,CHIP;100nF,+80-20%,25V,Y5V,TP,	....4	SC54	2203-000181	C-CERAMIC,CHIP;100nF,+80-20%,25V,Y5V,TP,
....4	PC30	2203-000181	C-CERAMIC,CHIP;100nF,+80-20%,25V,Y5V,TP,	....4	SF01	2901-001120	FILTER-EMI SMD;25V,100mA,-,-,3.2x1.6x1,T
....4	PC31	2203-000181	C-CERAMIC,CHIP;100nF,+80-20%,25V,Y5V,TP,	....4	SL01	3301-001324	CORE-FERRITE BEAD;AB,150HM,2X1.25X0.9MM,
....4	PC32	2203-000181	C-CERAMIC,CHIP;100nF,+80-20%,25V,Y5V,TP,	....4	SL02	3301-001324	CORE-FERRITE BEAD;AB,150HM,2X1.25X0.9MM,
....4	PC33	2203-000181	C-CERAMIC,CHIP;100nF,+80-20%,25V,Y5V,TP,	....4	SL03	3301-001324	CORE-FERRITE BEAD;AB,150HM,2X1.25X0.9MM,
....4	PC34	2203-000181	C-CERAMIC,CHIP;100nF,+80-20%,25V,Y5V,TP,	....4	SL04	3301-001324	CORE-FERRITE BEAD;AB,150HM,2X1.25X0.9MM,
....4	PC35	2203-000181	C-CERAMIC,CHIP;100nF,+80-20%,25V,Y5V,TP,	....4	SL05	3301-001324	CORE-FERRITE BEAD;AB,150HM,2X1.25X0.9MM,
....4	PC36	2203-000181	C-CERAMIC,CHIP;100nF,+80-20%,25V,Y5V,TP,	....4	SL06	3301-001324	CORE-FERRITE BEAD;AB,150HM,2X1.25X0.9MM,
....4	PC37	2203-000181	C-CERAMIC,CHIP;100nF,+80-20%,25V,Y5V,TP,	....4	SL08	3301-001324	CORE-FERRITE BEAD;AB,150HM,2X1.25X0.9MM,
....4	PC38	2203-000181	C-CERAMIC,CHIP;100nF,+80-20%,25V,Y5V,TP,	....4	SL09	3301-001186	CORE-FERRITE BEAD;AB,600ohm,3.2x1.6x1.3m
....4	PC39	2203-000181	C-CERAMIC,CHIP;100nF,+80-20%,25V,Y5V,TP,	....4	SR01	2007-000074	R-CHIP;100ohm,5%,1/16W,DA,TP,1608
....4	PC40	2203-000181	C-CERAMIC,CHIP;100nF,+80-20%,25V,Y5V,TP,	....4	SR02	2007-000074	R-CHIP;100ohm,5%,1/16W,DA,TP,1608
....4	PC41	2401-001496	C-AL;47uF,20%,16V,GP,TP,5x7,5	....4	SR03	2007-000074	R-CHIP;100ohm,5%,1/16W,DA,TP,1608
....4	PC42	2203-000181	C-CERAMIC,CHIP;100nF,+80-20%,25V,Y5V,TP,	....4	SR04	2011-000585	R-NETWORK;47ohm,5%,63mW,L,CHIP,8P,TP
....4	PC43	2401-001496	C-AL;47uF,20%,16V,GP,TP,5x7,5	....4	SR05	2011-000585	R-NETWORK;47ohm,5%,63mW,L,CHIP,8P,TP
....4	PC47	2203-000236	C-CERAMIC,CHIP;0.1nF,5%,50V,NP0,TP,1608	....4	SR06	2011-000585	R-NETWORK;47ohm,5%,63mW,L,CHIP,8P,TP
....4	PC48	2203-000236	C-CERAMIC,CHIP;0.1nF,5%,50V,NP0,TP,1608	....4	SR07	2011-000585	R-NETWORK;47ohm,5%,63mW,L,CHIP,8P,TP
....4	PC49	2203-000236	C-CERAMIC,CHIP;0.1nF,5%,50V,NP0,TP,1608	....4	SR08	2007-000074	R-CHIP;100ohm,5%,1/16W,DA,TP,1608
....4	PC52	2203-001603	C-CERAMIC,CHIP;220nF,10%,16V,X7R,TP,2012	....4	SR09	2007-000074	R-CHIP;100ohm,5%,1/16W,DA,TP,1608
....4	PC53	2203-000181	C-CERAMIC,CHIP;100nF,+80-20%,25V,Y5V,TP,	....4	SR11	2007-000074	R-CHIP;100ohm,5%,1/16W,DA,TP,1608
....4	PC54	2203-001603	C-CERAMIC,CHIP;220nF,10%,16V,X7R,TP,2012	....4	SR12	2007-001056	R-CHIP;6.2Kohm,5%,1/16W,DA,TP,1608
....4	PC55	2203-000590	C-CERAMIC,CHIP;330NF,10%,16V,X7R,TP,2012	....4	SR13	2007-000402	R-CHIP;150ohm,5%,1/16W,DA,TP,1608
....4	PC56	2203-000590	C-CERAMIC,CHIP;330NF,10%,16V,X7R,TP,2012	....4	SR14	2007-001167	R-CHIP;75ohm,5%,1/16W,DA,TP,1608
....4	PC57	2203-000590	C-CERAMIC,CHIP;330NF,10%,16V,X7R,TP,2012	....4	SR15	2007-001167	R-CHIP;75ohm,5%,1/16W,DA,TP,1608
....4	PC58	2203-000590	C-CERAMIC,CHIP;330NF,10%,16V,X7R,TP,2012	....4	SR16	2007-000402	R-CHIP;150ohm,5%,1/16W,DA,TP,1608
....4	PC78	2203-000181	C-CERAMIC,CHIP;100nF,+80-20%,25V,Y5V,TP,	....4	SR17	2007-001167	R-CHIP;75ohm,5%,1/16W,DA,TP,1608
....4	PCB	AA41-00418A	PCB-DW SRC,PCL545R,FR-4,4L,A,1.6T,245X24	....4	SR18	2007-001167	R-CHIP;75ohm,5%,1/16W,DA,TP,1608
....4	PIC01	1204-001598	IC-VIDEO PROCESS;VPC3230D-B2,QFP,80P,-P	....4	SR19	2007-000381	R-CHIP;13Kohm,5%,1/16W,DA,TP,1608
....4	PIC02	1109-001144	IC-FIFO;81V04160,2x256Kx8Bit,TQFP,100P	....4	SR21	2007-000402	R-CHIP;150ohm,5%,1/16W,DA,TP,1608
....4	PIC04	1203-001419	IC-VOLTAGE REGULATOR;4931,TO-252,3P,6.6x	....4	SR22	2007-001167	R-CHIP;75ohm,5%,1/16W,DA,TP,1608
....4	PL01	3301-001324	CORE-FERRITE BEAD;AB,150HM,2X1.25X0.9MM,	....4	SR23	2007-001167	R-CHIP;75ohm,5%,1/16W,DA,TP,1608
....4	PL02	3301-001324	CORE-FERRITE BEAD;AB,150HM,2X1.25X0.9MM,	....4	SR24	2007-000090	R-CHIP;10Kohm,5%,1/16W,DA,TP,1608
....4	PR01	2007-001166	R-CHIP;750HM,5%,1/10W,DA,TP,2012	....4	SR25	2007-000401	R-CHIP;1500HM,5%,1/10W,DA,TP,2012
....4	PR02	2007-001166	R-CHIP;750HM,5%,1/10W,DA,TP,2012	....4	YC01	2203-002494	C-CERAMIC,CHIP;470nF,10%,16V,X7R,TP,2012
....4	PR03	2007-000074	R-CHIP;100ohm,5%,1/16W,DA,TP,1608	....4	YC02	2203-002494	C-CERAMIC,CHIP;470nF,10%,16V,X7R,TP,2012
....4	PR04	2007-000074	R-CHIP;100ohm,5%,1/16W,DA,TP,1608	....4	YC03	2203-002494	C-CERAMIC,CHIP;470nF,10%,16V,X7R,TP,2012
....4	PR06	2007-000072	R-CHIP;47ohm,5%,1/16W,DA,TP,1608	....4	YC04	2203-002494	C-CERAMIC,CHIP;470nF,10%,16V,X7R,TP,2012
....4	PR07	2007-000072	R-CHIP;47ohm,5%,1/16W,DA,TP,1608	....4	YC05	2203-002494	C-CERAMIC,CHIP;470nF,10%,16V,X7R,TP,2012
....4	PR08	2007-000072	R-CHIP;47ohm,5%,1/16W,DA,TP,1608	....4	YC06	2203-002494	C-CERAMIC,CHIP;470nF,10%,16V,X7R,TP,2012
....4	PR11	2007-000029	R-CHIP;00HM,5%,1/10W,DA,TP,2012	....4	YC07	2203-002494	C-CERAMIC,CHIP;470nF,10%,16V,X7R,TP,2012
....4	PR12	2007-000029	R-CHIP;00HM,5%,1/10W,DA,TP,2012	....4	YC08	2203-002494	C-CERAMIC,CHIP;470nF,10%,16V,X7R,TP,2012
....4	PR19	2007-000029	R-CHIP;00HM,5%,1/10W,DA,TP,2012	....4	YC09	2203-002494	C-CERAMIC,CHIP;470nF,10%,16V,X7R,TP,2012
....4	PR20	2007-000290	R-CHIP;1000HM,5%,1/10W,DA,TP,2012	....4	YC10	2203-002494	C-CERAMIC,CHIP;470nF,10%,16V,X7R,TP,2012
....4	SC01	2401-001496	C-AL;47uF,20%,16V,GP,TP,5x7,5	....4	YC11	2203-002494	C-CERAMIC,CHIP;470nF,10%,16V,X7R,TP,2012
....4	SC02	2203-000181	C-CERAMIC,CHIP;100nF,+80-20%,25V,Y5V,TP,	....4	YC12	2203-002494	C-CERAMIC,CHIP;470nF,10%,16V,X7R,TP,2012
....4	SC03	2401-001496	C-AL;47uF,20%,16V,GP,TP,5x7,5	....4	YC13	2203-002494	C-CERAMIC,CHIP;470nF,10%,16V,X7R,TP,2012
....4	SC04	2203-000181	C-CERAMIC,CHIP;100nF,+80-20%,25V,Y5V,TP,	....4	YC14	2203-002494	C-CERAMIC,CHIP;470nF,10%,16V,X7R,TP,2012
....4	SC05	2203-000181	C-CERAMIC,CHIP;100nF,+80-20%,25V,Y5V,TP,	....4	YC15	2203-002494	C-CERAMIC,CHIP;470nF,10%,16V,X7R,TP,2012



Loc. No.	Code No.	Description ; Specification	Remark	Loc. No.	Code No.	Description ; Specification	Remark
...4	YC16	2203-002494	C-CERAMIC,CHIP;470nF,10%,16V,X7R,TP,2012	...4	YR14	2007-000077	R-CHIP;470ohm,5%,1/16W,DA,TP,1608
...4	YC17	2203-002494	C-CERAMIC,CHIP;470nF,10%,16V,X7R,TP,2012	...4	YR15	2007-000939	R-CHIP;47Kohm,1%,1/16W,DA,TP,1608
...4	YC18	2203-002494	C-CERAMIC,CHIP;470nF,10%,16V,X7R,TP,2012	...4	YR18	2007-000074	R-CHIP;100ohm,5%,1/16W,DA,TP,1608
...4	YC19	2203-002494	C-CERAMIC,CHIP;470nF,10%,16V,X7R,TP,2012	...4	YR23	2007-000078	R-CHIP;1Kohm,5%,1/16W,DA,TP,1608
...4	YC20	2203-002494	C-CERAMIC,CHIP;470nF,10%,16V,X7R,TP,2012	...4	YR24	2007-000078	R-CHIP;1Kohm,5%,1/16W,DA,TP,1608
...4	YC21	2401-001496	C-AL;47uF,20%,16V,GP,TP,5x7,5	...4	YR25	2007-000074	R-CHIP;100ohm,5%,1/16W,DA,TP,1608
...4	YC22	2203-000181	C-CERAMIC,CHIP;100nF,+80-20%,25V,Y5V,TP,	...4	YR26	2007-000074	R-CHIP;100ohm,5%,1/16W,DA,TP,1608
...4	YC23	2203-000257	C-CERAMIC,CHIP;10nF,10%,50V,X7R,TP,1608	...4	YR27	2007-000074	R-CHIP;100ohm,5%,1/16W,DA,TP,1608
...4	YC24	2203-000181	C-CERAMIC,CHIP;100nF,+80-20%,25V,Y5V,TP,	...4	YR28	2007-000074	R-CHIP;100ohm,5%,1/16W,DA,TP,1608
...4	YC25	2203-000181	C-CERAMIC,CHIP;100nF,+80-20%,25V,Y5V,TP,	...4	YR29	2007-000210	R-CHIP;1.1KOHM,5%,1/10W,DA,TP,2012
...4	YC26	2401-001496	C-AL;47uF,20%,16V,GP,TP,5x7,5	...4	YR30	2007-000074	R-CHIP;100ohm,5%,1/16W,DA,TP,1608
...4	YC27	2203-000575	C-CERAMIC,CHIP;220NF,10%,25V,X7R,TP,2012	...4	YR31	2007-000210	R-CHIP;1.1KOHM,5%,1/10W,DA,TP,2012
...4	YC28	2203-000575	C-CERAMIC,CHIP;220NF,10%,25V,X7R,TP,2012	...4	YR32	2007-000074	R-CHIP;100ohm,5%,1/16W,DA,TP,1608
...4	YC29	2203-000575	C-CERAMIC,CHIP;220NF,10%,25V,X7R,TP,2012	...4	YR33	2007-000210	R-CHIP;1.1KOHM,5%,1/10W,DA,TP,2012
...4	YC30	2203-002494	C-CERAMIC,CHIP;470nF,10%,16V,X7R,TP,2012	...4	YR40	2007-000691	R-CHIP;3.3Mohm,5%,1/16W,DA,TP,1608
...4	YC31	2401-000486	C-AL;10uF,20%,50V,GP,TP,6.3x7mm,5	...4	YR41	2007-000074	R-CHIP;100ohm,5%,1/16W,DA,TP,1608
...4	YC32	2203-000257	C-CERAMIC,CHIP;10nF,10%,50V,X7R,TP,1608	...4	YR43	2007-000799	R-CHIP;360ohm,5%,1/16W,DA,TP,1608
...4	YC33	2203-000257	C-CERAMIC,CHIP;10nF,10%,50V,X7R,TP,1608	...4	YR44	2007-000799	R-CHIP;360ohm,5%,1/16W,DA,TP,1608
...4	YC34	2203-000257	C-CERAMIC,CHIP;10nF,10%,50V,X7R,TP,1608	...4	YR45	2007-000799	R-CHIP;360ohm,5%,1/16W,DA,TP,1608
...4	YC35	2203-000257	C-CERAMIC,CHIP;10nF,10%,50V,X7R,TP,1608	...4	YR46	2007-000074	R-CHIP;100ohm,5%,1/16W,DA,TP,1608
...4	YC36	2203-000257	C-CERAMIC,CHIP;10nF,10%,50V,X7R,TP,1608	...4	YR47	2007-000074	R-CHIP;100ohm,5%,1/16W,DA,TP,1608
...4	YC37	2203-000257	C-CERAMIC,CHIP;10nF,10%,50V,X7R,TP,1608	...4	YR48	2007-000074	R-CHIP;100ohm,5%,1/16W,DA,TP,1608
...4	YC38	2401-000486	C-AL;10uF,20%,50V,GP,TP,6.3x7mm,5	...4	YR50	2007-000080	R-CHIP;22Kohm,5%,1/16W,DA,TP,1608
...4	YC39	2203-000998	C-CERAMIC,CHIP;0.047nF,5%,50V,NP0,TP,160	...4	YR51	2007-000074	R-CHIP;100ohm,5%,1/16W,DA,TP,1608
...4	YC40	2203-000998	C-CERAMIC,CHIP;0.047nF,5%,50V,NP0,TP,160	...4	YR53	2007-000074	R-CHIP;100ohm,5%,1/16W,DA,TP,1608
...4	YC45	2203-002494	C-CERAMIC,CHIP;470nF,10%,16V,X7R,TP,2012	...4	YR56	2007-000074	R-CHIP;100ohm,5%,1/16W,DA,TP,1608
...4	YC46	2203-000257	C-CERAMIC,CHIP;10nF,10%,50V,X7R,TP,1608	...4	YR59	2007-000090	R-CHIP;10Kohm,5%,1/16W,DA,TP,1608
...4	YC47	2203-000257	C-CERAMIC,CHIP;10nF,10%,50V,X7R,TP,1608	...4	YR60	2007-000074	R-CHIP;100ohm,5%,1/16W,DA,TP,1608
...4	YC48	2203-000257	C-CERAMIC,CHIP;10nF,10%,50V,X7R,TP,1608	...4	YR61	2007-000097	R-CHIP;47Kohm,5%,1/16W,DA,TP,1608
...4	YC49	2203-000181	C-CERAMIC,CHIP;100nF,+80-20%,25V,Y5V,TP,	...4	YR62	2007-000078	R-CHIP;1Kohm,5%,1/16W,DA,TP,1608
...4	YC50	2203-002494	C-CERAMIC,CHIP;470nF,10%,16V,X7R,TP,2012	...4	YR63	2007-000074	R-CHIP;100ohm,5%,1/16W,DA,TP,1608
...4	YC51	2203-000491	C-CERAMIC,CHIP;2.2nF,10%,50V,X7R,TP,1608	...4	YR64	2007-000074	R-CHIP;100ohm,5%,1/16W,DA,TP,1608
...4	YC52	2203-001083	C-CERAMIC,CHIP;0.005nF,0.1pF,50V,NP0,TP,	...4	YR65	2007-000583	R-CHIP;22Kohm,1%,1/16W,DA,TP,1608
...4	YC53	2203-000181	C-CERAMIC,CHIP;100nF,+80-20%,25V,Y5V,TP,	...4	YR77	2007-000210	R-CHIP;1.1KOHM,5%,1/10W,DA,TP,2012
...4	YC54	2203-000181	C-CERAMIC,CHIP;100nF,+80-20%,25V,Y5V,TP,	...4	YR78	2007-000210	R-CHIP;1.1KOHM,5%,1/10W,DA,TP,2012
...4	YC55	2203-000181	C-CERAMIC,CHIP;100nF,+80-20%,25V,Y5V,TP,	...4	YR79	2007-000210	R-CHIP;1.1KOHM,5%,1/10W,DA,TP,2012
...4	YC56	2203-000181	C-CERAMIC,CHIP;100nF,+80-20%,25V,Y5V,TP,	...4	YR83	2007-000074	R-CHIP;100ohm,5%,1/16W,DA,TP,1608
...4	YC57	2401-001496	C-AL;47uF,20%,16V,GP,TP,5x7,5	...4	YR85	2007-000074	R-CHIP;100ohm,5%,1/16W,DA,TP,1608
...4	YC58	2203-000181	C-CERAMIC,CHIP;100nF,+80-20%,25V,Y5V,TP,	...4	YR86	2007-000074	R-CHIP;100ohm,5%,1/16W,DA,TP,1608
...4	YC59	2203-000181	C-CERAMIC,CHIP;100nF,+80-20%,25V,Y5V,TP,	...4	YR88	2007-000078	R-CHIP;1Kohm,5%,1/16W,DA,TP,1608
...4	YC60	2203-000181	C-CERAMIC,CHIP;100nF,+80-20%,25V,Y5V,TP,	...4	YR89	2007-000078	R-CHIP;1Kohm,5%,1/16W,DA,TP,1608
...4	YC62	2401-000598	C-AL;1uF,20%,50V,GP,TP,4x7,5	...4	YR90	2007-000074	R-CHIP;100ohm,5%,1/16W,DA,TP,1608
...4	YC63	2203-000236	C-CERAMIC,CHIP;0.1nF,5%,50V,NP0,TP,1608	...4	YR91	2007-000074	R-CHIP;100ohm,5%,1/16W,DA,TP,1608
...4	YC66	2203-000815	C-CERAMIC,CHIP;0.033nF,5%,50V,NP0,TP,160	...4	YR92	2007-000074	R-CHIP;100ohm,5%,1/16W,DA,TP,1608
...4	YD01	0403-000620	DIODE-ZENER;RLZ5.6B,5.6,500mW,LL-34,TP	...4	YR98	2007-000084	R-CHIP;4.7Kohm,5%,1/16W,DA,TP,1608
...4	YD02	0403-000620	DIODE-ZENER;RLZ5.6B,5.6,500mW,LL-34,TP	...4	YR99	2007-000075	R-CHIP;220ohm,5%,1/16W,DA,TP,1608
...4	YD03	0403-001117	DIODE-ZENER;RLZ12B,5%,500mW,LL-34,TP	...3	0202-001167	SOLDER-CREAM;RX3603-2330HO,S45A,PASTE,SN	
...4	YD04	0403-001117	DIODE-ZENER;RLZ12B,5%,500mW,LL-34,TP	...2	0202-000187	SOLDER-WIRE FLUX;-RS60S,D1.2.63Sn/37Pb	
...4	YD05	0403-001117	DIODE-ZENER;RLZ12B,5%,500mW,LL-34,TP	...2	AA95-00707A	ASSY-PCB,CAPTION;PCL545R,P54A	
...4	YF01	2901-001120	FILTER-EMI SMD;25V,100mA,-,3.2x1.6x1,T	...3	BK01	AA61-10068A	BRACKET-PCB;M2160,SPT,10.3,-,-,-
...4	YF02	2901-001120	FILTER-EMI SMD;25V,100mA,-,3.2x1.6x1,T	...3	CNC01	3711-002709	CONNECTOR-HEADER;NOWALL,12P,1R,2.5MM,ANG
...4	YF03	2901-001120	FILTER-EMI SMD;25V,100mA,-,3.2x1.6x1,T	...3	CNC02	3711-002708	CONNECTOR-HEADER;NOWALL,10P,1R,2.5mm,ANG
...4	YF04	2901-001120	FILTER-EMI SMD;25V,100mA,-,3.2x1.6x1,T	...3	ICCO1	1204-001718	IC-DECODER;Z86129,DIP,18P,300MIL,PLASTIC
...4	YF05	2901-001120	FILTER-EMI SMD;25V,100mA,-,3.2x1.6x1,T	...3	ICCO2	1001-001083	IC-VIDEO SWITCH;NJM2248D,-,DIP,8P,300MIL
...4	YL01	3301-001186	CORE-FERRITE BEAD;AB,600ohm,3.2x1.6x1.3mm	...3	ICCO3	1001-001083	IC-VIDEO SWITCH;NJM2248D,-,DIP,8P,300MIL
...4	YL02	2702-000160	INDUCTOR-RADIAL;4.7uH,10%,6x6.4mm	...3	PCB	AA41-00337A	PCB-CAPTION;PCL545R,FR-1,1LA,1.1.6T,245X2
...4	YQ01	0501-000280	TR-SMALL SIGNAL;KSA1182,PNP,150mW,SOT-23	...3	0202-000187	SOLDER-WIRE FLUX;-RS60S,D1.2.63Sn/37Pb	
...4	YQ02	0501-000280	TR-SMALL SIGNAL;KSA1182,PNP,150mW,SOT-23	...3	AA99-20080H	ASSY-PCB SUB,AUTO; AA95-00707A ,V	
...4	YQ03	0501-000280	TR-SMALL SIGNAL;KSA1182,PNP,150mW,SOT-23	...4	CC01	2401-000603	C-AL;1uF,20%,50V,GP,TP,5x11,5
...4	YQ06	0501-000344	TR-SMALL SIGNAL;KSC1623-G,NPN,200mW,SOT-	...4	CC02	2401-002144	C-AL;47uF,20%,16V,GP,TP,5x11,5
...4	YQ08	0501-000280	TR-SMALL SIGNAL;KSA1182,PNP,150mW,SOT-23	...4	CC03	2201-000600	C-CERAMIC,DISC;0.56nF,10%,50V,Y5P,TP,5x3
...4	YQ11	0501-000344	TR-SMALL SIGNAL;KSC1623-G,NPN,200mW,SOT-	...4	CC04	2401-000223	C-AL;100nF,20%,50V,LL,TP,5x11mm,5mm
...4	YQ12	0501-000344	TR-SMALL SIGNAL;KSC1623-G,NPN,200mW,SOT-	...4	CC05	2301-000310	C-FILM,PEF;68nF,5%,50V,TP,8.0X8.5X4.0X5
...4	YR05	2007-000074	R-CHIP;100ohm,5%,1/16W,DA,TP,1608	...4	CC06	2301-000301	C-FILM,PEF;6.8nF,5%,50V,TP,6.5X5.5X3.0X5
...4	YR06	2007-000074	R-CHIP;100ohm,5%,1/16W,DA,TP,1608	...4	CC07	2401-001840	C-AL;100uF,20%,16V,GP,TP,6.3x11,5
...4	YR07	2007-000074	R-CHIP;100ohm,5%,1/16W,DA,TP,1608	...4	CC08	2401-002144	C-AL;47uF,20%,16V,GP,TP,5x11,5
...4	YR08	2007-000074	R-CHIP;100ohm,5%,1/16W,DA,TP,1608	...4	CC09	2401-002144	C-AL;47uF,20%,16V,GP,TP,5x11,5
...4	YR09	2007-000074	R-CHIP;100ohm,5%,1/16W,DA,TP,1608	...4	CC10	2305-000149	C-FILM,MPEF;100nF,5%,100V,TP,12x12.5x6.5
...4	YR10	2007-000074	R-CHIP;100ohm,5%,1/16W,DA,TP,1608	...4	CC11	2401-002235	C-AL;10uF,20%,16V,GP,TP,5x11mm,5mm
...4	YR100	2007-000074	R-CHIP;100ohm,5%,1/16W,DA,TP,1608	...4	CC12	2305-000149	C-FILM,MPEF;100nF,5%,100V,TP,12x12.5x6.5
...4	YR101	2007-000074	R-CHIP;100ohm,5%,1/16W,DA,TP,1608	...4	CC13	2401-002619	C-AL;47uF,20%,25V,GP,TP,5x11,5
...4	YR102	2007-000074	R-CHIP;100ohm,5%,1/16W,DA,TP,1608	...4	CC14	2201-000119	C-CERAMIC,DISC;100nF,+80-20%,50V,Y5V,TP,
...4	YR103	2007-000074	R-CHIP;100ohm,5%,1/16W,DA,TP,1608	...4	CC15	2201-000600	C-CERAMIC,DISC;0.56nF,10%,50V,Y5P,TP,5x3
...4	YR104	2007-000074	R-CHIP;100ohm,5%,1/16W,DA,TP,1608	...4	CC16	2201-000119	C-CERAMIC,DISC;100nF,+80-20%,50V,Y5V,TP,
...4	YR105	2007-000074	R-CHIP;100ohm,5%,1/16W,DA,TP,1608	...4	CC19	2201-000119	C-CERAMIC,DISC;100nF,+80-20%,50V,Y5V,TP,
...4	YR11	2007-000074	R-CHIP;100ohm,5%,1/16W,DA,TP,1608	...4	DC01	0401-000005	DIODE-SWITCHING;1N4148,100V,200mA,DO-35,
...4	YR12	2007-000074	R-CHIP;100ohm,5%,1/16W,DA,TP,1608	...4	DC02	0401-000005	DIODE-SWITCHING;1N4148,100V,200mA,DO-35,

Loc. No.	Code No.	Description ; Specification	Remark	Loc. No.	Code No.	Description ; Specification	Remark
....4 DC03	0401-000005	DIODE-SWITCHING;1N4148,100V,200mA,DO-35,		....4 C140	2402-001049	C-AL,CHIP;10uF,20%,16V,GP,TP;3.3x3.3x5.4	
....4 LC01	2701-000115	INDUCTOR-AXIAL;10uH,10%,3x7mm		....4 C141	2203-000405	C-CERAMIC,CHIP;0.18nF,5%,50V,NPO,TP,1608	
....4 QC01	0501-000389	TR-SMALL SIGNAL;KSC815,NPN,400mW,TO-92,T		2402-001049	C-AL,CHIP;10uF,20%,16V,GP,TP;3.3x3.3x5.4		
....4 QC02	0501-000389	TR-SMALL SIGNAL;KSC815,NPN,400mW,TO-92,T		....4 C143	2203-000181	C-CERAMIC,CHIP;100nF,+80-20%,25V,Y5V,TP,	
....4 RC01	2004-000433	R-METAL;1Kohm,1%,1/8W,AA,TP,1.8x3.2mm		....4 C144	2203-000715	C-CERAMIC,CHIP;3.3nF,10%,50V,X7R,TP,1608	
....4 RC02	2004-000433	R-METAL;1Kohm,1%,1/8W,AA,TP,1.8x3.2mm		....4 C145	2203-000181	C-CERAMIC,CHIP;100nF,+80-20%,25V,Y5V,TP,	
....4 RC03	2001-000429	R-CARBON;1KOHM,5%,1/8W,AA,TP,1.8X3.2MM		....4 C146	2203-000715	C-CERAMIC,CHIP;3.3nF,10%,50V,X7R,TP,1608	
....4 RC04	2001-000221	R-CARBON;1.2KOHM,5%,1/8W,AA,TP,1.8X3.2M		....4 C147	2203-000405	C-CERAMIC,CHIP;0.18nF,5%,50V,NPO,TP,1608	
....4 RC05	2001-000890	R-CARBON;6.8KOHM,5%,1/8W,AA,TP,1.8X3.2M		....4 C148	2402-001049	C-AL,CHIP;10uF,20%,16V,GP,TP;3.3x3.3x5.4	
....4 RC06	2001-000006	R-CARBON;2.4KOHM,5%,1/8W,AA,TP,1.8X3.2M		....4 C149	2203-000181	C-CERAMIC,CHIP;100nF,+80-20%,25V,Y5V,TP,	
....4 RC07	2001-000734	R-CARBON;4.7KOHM,5%,1/8W,AA,TP,1.8X3.2M		....4 C150	2203-000181	C-CERAMIC,CHIP;100nF,+80-20%,25V,Y5V,TP,	
....4 RC08	2001-000515	R-CARBON;220OHM,5%,1/8W,AA,TP,1.8X3.2MM		....4 C151	2203-000405	C-CERAMIC,CHIP;0.18nF,5%,50V,NPO,TP,1608	
....4 RC09	2001-000969	R-CARBON;75OHM,5%,1/8W,AA,TP,1.8X3.2MM		....4 C152	2402-001049	C-AL,CHIP;10uF,20%,16V,GP,TP;3.3x3.3x5.4	
....4 RC10	2004-000433	R-METAL;1Kohm,1%,1/8W,AA,TP,1.8x3.2mm		....4 C153	2203-000181	C-CERAMIC,CHIP;100nF,+80-20%,25V,Y5V,TP,	
....4 RC11	2001-000515	R-CARBON;220OHM,5%,1/8W,AA,TP,1.8X3.2MM		....4 C154	2203-000715	C-CERAMIC,CHIP;3.3nF,10%,50V,X7R,TP,1608	
....4 RC12	2001-000591	R-CARBON;3.3KOHM,5%,1/8W,AA,TP,1.8X3.2M		....4 C155	2203-000181	C-CERAMIC,CHIP;100nF,+80-20%,25V,Y5V,TP,	
....4 RC13	2001-000281	R-CARBON;100OHM,5%,1/8W,AA,TP,1.8X3.2MM		....4 C156	2203-000715	C-CERAMIC,CHIP;3.3nF,10%,50V,X7R,TP,1608	
....4 RC14	2001-000281	R-CARBON;100OHM,5%,1/8W,AA,TP,1.8X3.2MM		....4 C157	2203-000405	C-CERAMIC,CHIP;0.18nF,5%,50V,NPO,TP,1608	
....4 RC15	2001-000281	R-CARBON;100OHM,5%,1/8W,AA,TP,1.8X3.2MM		....4 C158	2402-001049	C-AL,CHIP;10uF,20%,16V,GP,TP;3.3x3.3x5.4	
....4 RC16	2004-000218	R-METAL;1Kohm,1%,1/8W,AA,TP,1.8x3.2mm		....4 C159	2203-000181	C-CERAMIC,CHIP;100nF,+80-20%,25V,Y5V,TP,	
....4 RC17	2001-000780	R-CARBON;470OHM,5%,1/8W,AA,TP,1.8X3.2MM		....4 C160	2203-000181	C-CERAMIC,CHIP;100nF,+80-20%,25V,Y5V,TP,	
....4 RC18	2001-000734	R-CARBON;4.7KOHM,5%,1/8W,AA,TP,1.8X3.2M		....4 C161	2402-001042	C-AL,SMD;100uF,20%,16V,GP,TP;6.6x6.6x5.	
....4 RC19	2001-000221	R-CARBON;1.2KOHM,5%,1/8W,AA,TP,1.8X3.2M		....4 C162	2402-001042	C-AL,SMD;100uF,20%,16V,GP,TP;6.6x6.6x5.	
....4 RC20	2001-000734	R-CARBON;4.7KOHM,5%,1/8W,AA,TP,1.8X3.2M		....4 C164	2402-000173	C-AL,SMD;4.7uF,20%,35V,GP,TP;4.3x4.3x5.	
....4 RC21	2001-000628	R-CARBON;300OHM,5%,1/8W,AA,TP,1.8X3.2MM		....4 C165	2203-000181	C-CERAMIC,CHIP;100nF,+80-20%,25V,Y5V,TP,	
....4 RC22	2001-000613	R-CARBON;3.9KOHM,5%,1/8W,AA,TP,1.8X3.2M		....4 C166	2203-000181	C-CERAMIC,CHIP;100nF,+80-20%,25V,Y5V,TP,	
....4 RC23	2001-000006	R-CARBON;2.4KOHM,5%,1/8W,AA,TP,1.8X3.2M		....4 C167	2402-001049	C-AL,CHIP;10uF,20%,16V,GP,TP;3.3x3.3x5.4	
....4 RC24	2001-000007	R-CARBON;3KOHM,5%,1/8W,AA,TP,1.8X3.2MM		....4 C168	2203-000181	C-CERAMIC,CHIP;100nF,+80-20%,25V,Y5V,TP,	
....4 RC25	2001-000003	R-CARBON;330ohm,5%,1/8W,AA,TP,1.8x3.2mm		....4 C169	2203-000181	C-CERAMIC,CHIP;100nF,+80-20%,25V,Y5V,TP,	
....4 RC30	2001-000708	R-CARBON;390HM,5%,1/8W,AA,TP,1.8X3.2MM		....4 C170	2203-000181	C-CERAMIC,CHIP;100nF,+80-20%,25V,Y5V,TP,	
.2	AA95-00706C	ASSY-PCB CONV MDL;PCL545R,P54A		....4 C172	2402-001042	C-AL,SMD;100uF,20%,16V,GP,TP;6.6x6.6x5.	
...3 C163	2305-000289	C-FILM,MPEF;220nF,5%,63V,TP,-.5mm		....4 C173	2402-001042	C-AL,SMD;100uF,20%,16V,GP,TP;6.6x6.6x5.	
...3 CN103	3711-001094	CONNECTOR-HEADER;BOX,7P,1R,2.5mm,ANGLE,-		....4 C174	2402-001042	C-AL,SMD;100uF,20%,16V,GP,TP;6.6x6.6x5.	
...3 CN201	3703-001124	CONNECTOR-DIN;32P,2R,MALE,ANGLE,AUF		....4 C201	2203-000405	C-CERAMIC,CHIP;0.18nF,5%,50V,NPO,TP,1608	
...3 IC113	1203-000641	IC-RESET;7442,TO-92,3P,-,PLASTIC,-0.3/7		....4 C202	2203-000405	C-CERAMIC,CHIP;0.18nF,5%,50V,NPO,TP,1608	
...3	0202-001167	SOLDER-CREAM;RX3603-2330HO,S45A,PASTE,SN		....4 C203	2203-000405	C-CERAMIC,CHIP;0.18nF,5%,50V,NPO,TP,1608	
...3	0202-000187	SOLDER-WIRE FLUX;-RS60S,D1.2,63Sn/37Pb		....4 C204	2203-000405	C-CERAMIC,CHIP;0.18nF,5%,50V,NPO,TP,1608	
...3	AA99-20087Z	ASSY-PCB SUB,AUTO; AA95-00706C _V	S.N.A	....4 C205	2203-000405	C-CERAMIC,CHIP;0.18nF,5%,50V,NPO,TP,1608	
....4 C101	2402-001042	C-AL,SMD;100uF,20%,16V,GP,TP;6.6x6.6x5.		....4 C206	2203-000405	C-CERAMIC,CHIP;0.18nF,5%,50V,NPO,TP,1608	
....4 C102	2402-001042	C-AL,SMD;100uF,20%,16V,GP,TP;6.6x6.6x5.		....4 C301	2402-001042	C-AL,SMD;100uF,20%,16V,GP,TP;6.6x6.6x5.	
....4 C103	2402-001042	C-AL,SMD;100uF,20%,16V,GP,TP;6.6x6.6x5.		....4 D101	0401-000160	DIODE-SWITCHING;ISS314,30V,100mA,USC,TP	
....4 C104	2203-000181	C-CERAMIC,CHIP;100nF,+80-20%,25V,Y5V,TP,		....4 D102	0401-000160	DIODE-SWITCHING;ISS314,30V,100mA,USC,TP	
....4 C105	2203-000851	C-CERAMIC,CHIP;0.039nF,5%,50V,NPO,TP,160		....4 DZ101	0403-001016	DIODE-ZENER;RL26.2B,6.2V,5.96-6.27V,400m	
....4 C106	2203-000181	C-CERAMIC,CHIP;100nF,+80-20%,25V,Y5V,TP,		....4 DZ102	0403-001016	DIODE-ZENER;RL26.2B,6.2V,5.96-6.27V,400m	
....4 C107	2203-000715	C-CERAMIC,CHIP;3.3nF,10%,50V,X7R,TP,1608		....4 DZ105	0403-001016	DIODE-ZENER;RL26.2B,6.2V,5.96-6.27V,400m	
....4 C108	2402-000170	C-AL,SMD;1uF,20%,50V,GP,TP;4.3x4.3x5.4		....4 DZ106	0403-001016	DIODE-ZENER;RL26.2B,6.2V,5.96-6.27V,400m	
....4 C109	2203-000181	C-CERAMIC,CHIP;100nF,+80-20%,25V,Y5V,TP,		....4 DZ107	0403-001016	DIODE-ZENER;RL26.2B,6.2V,5.96-6.27V,400m	
....4 C110	2203-000440	C-CERAMIC,CHIP;1nF,10%,50V,X7R,TP,1608,-		....4 DZ108	0403-001016	DIODE-ZENER;RL26.2B,6.2V,5.96-6.27V,400m	
....4 C111	2203-000181	C-CERAMIC,CHIP;100nF,+80-20%,25V,Y5V,TP,		....4 DZ109	0403-001016	DIODE-ZENER;RL26.2B,6.2V,5.96-6.27V,400m	
....4 C112	2203-000681	C-CERAMIC,CHIP;0.027nF,5%,50V,NPO,TP,160		....4 DZ110	0403-001016	DIODE-ZENER;RL26.2B,6.2V,5.96-6.27V,400m	
....4 C113	2203-000681	C-CERAMIC,CHIP;0.027nF,5%,50V,NPO,TP,160		....4 DZ111	0403-001016	DIODE-ZENER;RL26.2B,6.2V,5.96-6.27V,400m	
....4 C114	2203-000181	C-CERAMIC,CHIP;100nF,+80-20%,25V,Y5V,TP,		....4 DZ112	0403-001016	DIODE-ZENER;RL26.2B,6.2V,5.96-6.27V,400m	
....4 C115	2203-000181	C-CERAMIC,CHIP;100nF,+80-20%,25V,Y5V,TP,		....4 DZ113	0403-001016	DIODE-ZENER;RL26.2B,6.2V,5.96-6.27V,400m	
....4 C116	2203-000181	C-CERAMIC,CHIP;100nF,+80-20%,25V,Y5V,TP,		....4 DZ114	0403-001016	DIODE-ZENER;RL26.2B,6.2V,5.96-6.27V,400m	
....4 C117	2203-000181	C-CERAMIC,CHIP;100nF,+80-20%,25V,Y5V,TP,		....4 DZ115	0403-001016	DIODE-ZENER;RL26.2B,6.2V,5.96-6.27V,400m	
....4 C118	2203-000181	C-CERAMIC,CHIP;100nF,+80-20%,25V,Y5V,TP,		....4 DZ116	0403-001016	DIODE-ZENER;RL26.2B,6.2V,5.96-6.27V,400m	
....4 C119	2203-000181	C-CERAMIC,CHIP;100nF,+80-20%,25V,Y5V,TP,		....4 DZ201	0403-001016	DIODE-ZENER;RL26.2B,6.2V,5.96-6.27V,400m	
....4 C120	2203-000181	C-CERAMIC,CHIP;100nF,+80-20%,25V,Y5V,TP,		....4 DZ202	0403-001016	DIODE-ZENER;RL26.2B,6.2V,5.96-6.27V,400m	
....4 C121	2203-000181	C-CERAMIC,CHIP;100nF,+80-20%,25V,Y5V,TP,		....4 DZ203	0403-001016	DIODE-ZENER;RL26.2B,6.2V,5.96-6.27V,400m	
....4 C122	2203-000181	C-CERAMIC,CHIP;100nF,+80-20%,25V,Y5V,TP,		....4 DZ204	0403-001016	DIODE-ZENER;RL26.2B,6.2V,5.96-6.27V,400m	
....4 C123	2203-000181	C-CERAMIC,CHIP;100nF,+80-20%,25V,Y5V,TP,		....4 DZ205	0403-001016	DIODE-ZENER;RL26.2B,6.2V,5.96-6.27V,400m	
....4 C124	2203-000181	C-CERAMIC,CHIP;100nF,+80-20%,25V,Y5V,TP,		....4 EF101	2901-000229	FILTER-EMI SMD;50V,0.3A,-,22000pF,4.5x3.	
....4 C125	2203-000181	C-CERAMIC,CHIP;100nF,+80-20%,25V,Y5V,TP,		....4 EF102	2901-000229	FILTER-EMI SMD;50V,0.3A,-,22000pF,4.5x3.	
....4 C126	2203-000181	C-CERAMIC,CHIP;100nF,+80-20%,25V,Y5V,TP,		....4 EF105	2901-000226	FILTER-EMI SMD;25V,0.3A,-,100pF,3.2x1.25	
....4 C127	2203-000181	C-CERAMIC,CHIP;100nF,+80-20%,25V,Y5V,TP,		....4 EF106	2901-000226	FILTER-EMI SMD;25V,0.3A,-,100pF,3.2x1.25	
....4 C128	2203-000181	C-CERAMIC,CHIP;100nF,+80-20%,25V,Y5V,TP,		....4 EF107	2901-000226	FILTER-EMI SMD;25V,0.3A,-,100pF,3.2x1.25	
....4 C129	2203-000181	C-CERAMIC,CHIP;100nF,+80-20%,25V,Y5V,TP,		....4 EF108	2901-000226	FILTER-EMI SMD;25V,0.3A,-,100pF,3.2x1.25	
....4 C130	2203-000181	C-CERAMIC,CHIP;100nF,+80-20%,25V,Y5V,TP,		....4 EF109	2901-000226	FILTER-EMI SMD;25V,0.3A,-,100pF,3.2x1.25	
....4 C131	2203-000181	C-CERAMIC,CHIP;100nF,+80-20%,25V,Y5V,TP,		....4 EF110	2901-000226	FILTER-EMI SMD;25V,0.3A,-,100pF,3.2x1.25	
....4 C132	2203-000405	C-CERAMIC,CHIP;0.18nF,5%,50V,NPO,TP,1608		....4 EF111	2901-000226	FILTER-EMI SMD;25V,0.3A,-,100pF,3.2x1.25	
....4 C133	2402-001049	C-AL,CHIP;10uF,20%,16V,GP,TP;3.3x3.3x5.4		....4 EF112	2901-000226	FILTER-EMI SMD;25V,0.3A,-,100pF,3.2x1.25	
....4 C134	2203-000181	C-CERAMIC,CHIP;100nF,+80-20%,25V,Y5V,TP,		....4 EF113	2901-000226	FILTER-EMI SMD;25V,0.3A,-,100pF,3.2x1.25	
....4 C135	2203-000715	C-CERAMIC,CHIP;3.3nF,10%,50V,X7R,TP,1608		....4 EF114	2901-000226	FILTER-EMI SMD;25V,0.3A,-,100pF,3.2x1.25	
....4 C136	2203-000181	C-CERAMIC,CHIP;100nF,+80-20%,25V,Y5V,TP,		....4 EF115	2901-000226	FILTER-EMI SMD;25V,0.3A,-,100pF,3.2x1.25	
....4 C137	2203-000715	C-CERAMIC,CHIP;3.3nF,10%,50V,X7R,TP,1608		....4 EF116	2901-000226	FILTER-EMI SMD;25V,0.3A,-,100pF,3.2x1.25	
....4 C138	2203-000405	C-CERAMIC,CHIP;0.18nF,5%,50V,NPO,TP,1608		....4 EF201	2901-000226	FILTER-EMI SMD;25V,0.3A,-,100pF,3.2x1.25	
....4 C139	2203-000181	C-CERAMIC,CHIP;100nF,+80-20%,25V,Y5V,TP,		....4 EF202	2901-000226	FILTER-EMI SMD;25V,0.3A,-,100pF,3.2x1.25	

Loc. No.	Code No.	Description ; Specification	Remark	Loc. No.	Code No.	Description ; Specification	Remark
...4	EF203	2901-000226	FILTER-EMI SMD;25V,0.3A,-,100pF,3.2x1.25	...4	R152	2007-000102	R-CHIP;100Kohm,5%,1/16W,DA,TP,1608
...4	EF204	2901-000226	FILTER-EMI SMD;25V,0.3A,-,100pF,3.2x1.25	...4	R153	2007-000084	R-CHIP;4.7Kohm,5%,1/16W,DA,TP,1608
...4	EF205	2901-000226	FILTER-EMI SMD;25V,0.3A,-,100pF,3.2x1.25	...4	R154	2007-000134	R-CHIP;33Kohm,5%,1/16W,DA,TP,1608
...4	IC101	AA13-00071A	IC-ASIC,-,SDC91,QFP,208P,CONV CONTROLL	...4	R155	2007-000090	R-CHIP;10Kohm,5%,1/16W,DA,TP,1608
...4	IC102	0801-001043	IC-CMOS LOGIC;74HC4046,PHASE-LOCKED-LOOP	...4	R156	2007-001056	R-CHIP;6.2Kohm,5%,1/16W,DA,TP,1608
...4	IC103	AA09-00032A	IC-MCU;TSC87251G2D-OTP,TSC87251G2D-OT	...4	R157	2007-000080	R-CHIP;2Kohm,5%,1/16W,DA,TP,1608
...4	IC104	1103-001167	IC-EEPROM;28C64,8KX8BIT,TSOP,28P,-,120NS	...4	R158	2007-000078	R-CHIP;1Kohm,5%,1/16W,DA,TP,1608
...4	IC105	1201-001520	IC-VIDEO AMP;2210,SOP,8P,150MIL,DUAL,7dB	...4	R159	2007-001167	R-CHIP;75ohm,5%,1/16W,DA,TP,1608
...4	IC106	1201-001504	IC-OP AMP;072,SOP,8P,150MIL,DUAL,-,PLAST	...4	R160	2007-000078	R-CHIP;1Kohm,5%,1/16W,DA,TP,1608
...4	IC107	1201-001504	IC-OP AMP;072,SOP,8P,150MIL,DUAL,-,PLAST	...4	R161	2007-000074	R-CHIP;100ohm,5%,1/16W,DA,TP,1608
...4	IC108	1201-001504	IC-OP AMP;072,SOP,8P,150MIL,DUAL,-,PLAST	...4	R162	2007-000074	R-CHIP;100ohm,5%,1/16W,DA,TP,1608
...4	IC109	0801-001156	IC-CMOS LOGIC;74HC4066,BILATERAL SWITCH,	...4	R163	2007-000074	R-CHIP;100ohm,5%,1/16W,DA,TP,1608
...4	IC110	0801-001156	IC-CMOS LOGIC;74HC4066,BILATERAL SWITCH,	...4	R164	2007-000078	R-CHIP;1Kohm,5%,1/16W,DA,TP,1608
...4	IC111	1001-000105	IC-ANALOG SWITCH;CD4066BM,BILATERAL CMOS	...4	R165	2007-000078	R-CHIP;1Kohm,5%,1/16W,DA,TP,1608
...4	IC112	1001-000105	IC-ANALOG SWITCH;CD4066BM,BILATERAL CMOS	...4	R167	2007-000074	R-CHIP;100ohm,5%,1/16W,DA,TP,1608
...4	IC201	1203-001502	IC-POS.FIXED REG.;431,SOT-23,3P,-,PLAST	...4	R175	2007-000090	R-CHIP;10Kohm,5%,1/16W,DA,TP,1608
...4	PCB	AA41-00188F	PCB-CONVERGENCE MODULE;SVP-43J5M,FR-4,2L	...4	R176	2007-000084	R-CHIP;4.7Kohm,5%,1/16W,DA,TP,1608
...4	Q101	0501-000280	TR-SMALL SIGNAL;KSA1182,PNP,150mW,SOT-23	...4	R178	2007-000729	R-CHIP;300ohm,5%,1/16W,DA,TP,1608
...4	Q102	0501-000342	TR-SMALL SIGNAL;KSC1623-Y,NPN,200mW,SOT-23	...4	R179	2007-000729	R-CHIP;300ohm,5%,1/16W,DA,TP,1608
...4	Q103	0501-000342	TR-SMALL SIGNAL;KSC1623-Y,NPN,200mW,SOT-23	...4	R180	2007-000729	R-CHIP;300ohm,5%,1/16W,DA,TP,1608
...4	Q104	0501-000280	TR-SMALL SIGNAL;KSA1182,PNP,150mW,SOT-23	...4	R181	2007-000729	R-CHIP;300ohm,5%,1/16W,DA,TP,1608
...4	Q107	0501-000342	TR-SMALL SIGNAL;KSC1623-Y,NPN,200mW,SOT-23	...4	R182	2007-000729	R-CHIP;300ohm,5%,1/16W,DA,TP,1608
...4	Q109	0505-000257	FET-SILICON;2SK217,N,-,20mA,-,150mW,SOT-23	...4	R183	2007-000729	R-CHIP;300ohm,5%,1/16W,DA,TP,1608
...4	Q110	0505-000257	FET-SILICON;2SK217,N,-,20mA,-,150mW,SOT-23	...4	R192	2007-000309	R-CHIP;10ohm,5%,1/16W,DA,TP,1608
...4	Q111	0505-000257	FET-SILICON;2SK217,N,-,20mA,-,150mW,SOT-23	...4	R193	2007-000084	R-CHIP;4.7Kohm,5%,1/16W,DA,TP,1608
...4	Q112	0505-000257	FET-SILICON;2SK217,N,-,20mA,-,150mW,SOT-23	...4	R194	2007-000084	R-CHIP;4.7Kohm,5%,1/16W,DA,TP,1608
...4	Q113	0505-000257	FET-SILICON;2SK217,N,-,20mA,-,150mW,SOT-23	...4	R201	2007-000070	R-CHIP;0ohm,5%,1/16W,DA,TP,1608
...4	Q114	0505-000257	FET-SILICON;2SK217,N,-,20mA,-,150mW,SOT-23	...4	R203	2007-000106	R-CHIP;220Kohm,5%,1/16W,DA,TP,1608
...4	R101	2007-000882	R-CHIP;4.7ohm,5%,1/16W,DA,TP,1608	...4	R204	2007-000106	R-CHIP;220Kohm,5%,1/16W,DA,TP,1608
...4	R102	2007-000070	R-CHIP;0ohm,5%,1/16W,DA,TP,1608	...4	R205	2007-000106	R-CHIP;220Kohm,5%,1/16W,DA,TP,1608
...4	R103	2007-000882	R-CHIP;4.7ohm,5%,1/16W,DA,TP,1608	...4	R206	2007-000106	R-CHIP;220Kohm,5%,1/16W,DA,TP,1608
...4	R104	2007-000882	R-CHIP;4.7ohm,5%,1/16W,DA,TP,1608	...4	R207	2007-000106	R-CHIP;220Kohm,5%,1/16W,DA,TP,1608
...4	R105	2007-000416	R-CHIP;15ohm,5%,1/16W,DA,TP,1608	...4	R208	2007-000106	R-CHIP;220Kohm,5%,1/16W,DA,TP,1608
...4	R106	2007-000072	R-CHIP;47ohm,5%,1/16W,DA,TP,1608	...4	R301	2007-000402	R-CHIP;150ohm,5%,1/16W,DA,TP,1608
...4	R107	2007-000102	R-CHIP;100Kohm,5%,1/16W,DA,TP,1608	...4	R302	2007-000402	R-CHIP;150ohm,5%,1/16W,DA,TP,1608
...4	R108	2007-000084	R-CHIP;4.7Kohm,5%,1/16W,DA,TP,1608	...4	R303	2007-000093	R-CHIP;20Kohm,5%,1/16W,DA,TP,1608
...4	R109	2007-000124	R-CHIP;2.2Kohm,5%,1/16W,DA,TP,1608	...4	R304	2007-000093	R-CHIP;20Kohm,5%,1/16W,DA,TP,1608
...4	R110	2007-000122	R-CHIP;1.2Kohm,5%,1/16W,DA,TP,1608	...4	R305	2007-000078	R-CHIP;1Kohm,5%,1/16W,DA,TP,1608
...4	R111	2007-000381	R-CHIP;13Kohm,5%,1/16W,DA,TP,1608	...4	R306	2007-000074	R-CHIP;3.6Kohm,5%,1/16W,DA,TP,1608
...4	R112	2007-000078	R-CHIP;1Kohm,5%,1/16W,DA,TP,1608	...4	R307	2007-000691	R-CHIP;3.3Mohm,5%,1/16W,DA,TP,1608
...4	R113	2007-000099	R-CHIP;62Kohm,5%,1/16W,DA,TP,1608	...4	R308	2007-000074	R-CHIP;100ohm,5%,1/16W,DA,TP,1608
...4	R114	2007-000309	R-CHIP;10ohm,5%,1/16W,DA,TP,1608	...4	X101	2801-003860	CRYSTAL-SMD;24MHz,30ppm,28-ABV,20pF,50oh
...4	R116	2007-000078	R-CHIP;1Kohm,5%,1/16W,DA,TP,1608	.2	AA65-30105B	CLAMP-WIRE;NYLON 66,V2,NTR,25MM,ALL MODE	
...4	R117	2007-000078	R-CHIP;1Kohm,5%,1/16W,DA,TP,1608	.2	AA59-00171A	MODULE-FOCUS,PACK;SVP-5200,S300-P3,-,-	
...4	R118	2007-000078	R-CHIP;1Kohm,5%,1/16W,DA,TP,1608	.2	AA65-30018A	CLAMP-WIRE;NYLON-66,-,D,ATL-600,DONG-A,	
...4	R119	2007-000078	R-CHIP;1Kohm,5%,1/16W,DA,TP,1608	.2	AA65-30104B	CLAMP-WIRE;NYLON 66,V2,BLK,W2 Z5,ALL MOD	
...4	R120	2007-000074	R-CHIP;100ohm,5%,1/16W,DA,TP,1608	.2	AA95-01103A	ASSY-PCB,SOUND,-,PCL5415R,P54A	
...4	R121	2007-000075	R-CHIP;220ohm,5%,1/16W,DA,TP,1608	.3	CN601	3703-001175	CONNECTOR-DIN;64P,2R,MALE,ANGLE,AU
...4	R122	2007-000078	R-CHIP;1Kohm,5%,1/16W,DA,TP,1608	.3	XD601	2801-000186	CRYSTAL-UNIT;18.432MHz,25ppm,28-AAM,8pF
...4	R124	2007-000078	R-CHIP;1Kohm,5%,1/16W,DA,TP,1608	.3	0202-001167	SOLDER-CREAM;RX3603-2330HO,S45A,PASTE,SN	
...4	R125	2007-000402	R-CHIP;150ohm,5%,1/16W,DA,TP,1608	.3	0202-000187	SOLDER-WIRE FLUX;-,RS60S,D1.2,63Sn/37Pb	
...4	R126	2007-000402	R-CHIP;150ohm,5%,1/16W,DA,TP,1608	.3	AA99-20091S	ASSY-PCB SUB,AUTO; AA95-01103A /V	
...4	R127	2007-000402	R-CHIP;150ohm,5%,1/16W,DA,TP,1608	...4	CD601	2401-000444	C-AL;10uF,20%,25V,GP,TP,6.3x7mm,5
...4	R128	2007-000074	R-CHIP;100ohm,5%,1/16W,DA,TP,1608	...4	CD602	2203-000181	C-CERAMIC,CHIP;100nF,+80-20%,25V,Y5V,TP
...4	R129	2007-000043	R-CHIP;1Kohm,1%,1/16W,DA,TP,1608	...4	CD603	2401-001250	C-AL;4.7uF,20%,35V,GP,TP,4x5,5
...4	R130	2007-000869	R-CHIP;4.7Kohm,1%,1/16W,DA,TP,1608	...4	CD604	2401-000486	C-AL;10uF,20%,50V,GP,TP,6.3x7mm,5
...4	R131	2007-000086	R-CHIP;5.6Kohm,5%,1/16W,DA,TP,1608	...4	CD605	2401-001250	C-AL;4.7uF,20%,35V,GP,TP,4x5,5
...4	R132	2007-000043	R-CHIP;1Kohm,1%,1/16W,DA,TP,1608	...4	CD606	2203-000181	C-CERAMIC,CHIP;100nF,+80-20%,25V,Y5V,TP
...4	R133	2007-000869	R-CHIP;4.7Kohm,1%,1/16W,DA,TP,1608	...4	CD607	2401-001250	C-AL;4.7uF,20%,35V,GP,TP,4x5,5
...4	R134	2007-000086	R-CHIP;5.6Kohm,5%,1/16W,DA,TP,1608	...4	CD608	2401-001250	C-AL;4.7uF,20%,35V,GP,TP,4x5,5
...4	R135	2007-000074	R-CHIP;100ohm,5%,1/16W,DA,TP,1608	...4	CD609	2401-001250	C-AL;4.7uF,20%,35V,GP,TP,4x5,5
...4	R136	2007-000074	R-CHIP;100ohm,5%,1/16W,DA,TP,1608	...4	CD610	2401-001250	C-AL;4.7uF,20%,35V,GP,TP,4x5,5
...4	R137	2007-000043	R-CHIP;1Kohm,1%,1/16W,DA,TP,1608	...4	CD611	2401-001250	C-AL;4.7uF,20%,35V,GP,TP,4x5,5
...4	R138	2007-000869	R-CHIP;4.7Kohm,1%,1/16W,DA,TP,1608	...4	CD612	2401-001250	C-AL;4.7uF,20%,35V,GP,TP,4x5,5
...4	R139	2007-000086	R-CHIP;5.6Kohm,5%,1/16W,DA,TP,1608	...4	CD613	2203-000181	C-CERAMIC,CHIP;100nF,+80-20%,25V,Y5V,TP
...4	R140	2007-000043	R-CHIP;1Kohm,1%,1/16W,DA,TP,1608	...4	CD614	2401-000486	C-AL;10uF,20%,50V,GP,TP,6.3x7mm,5
...4	R141	2007-000869	R-CHIP;4.7Kohm,1%,1/16W,DA,TP,1608	...4	CD616	2401-000486	C-AL;10uF,20%,50V,GP,TP,6.3x7mm,5
...4	R142	2007-000086	R-CHIP;5.6Kohm,5%,1/16W,DA,TP,1608	...4	CD617	2203-001211	C-CERAMIC,CHIP;8.2nF,10%,50V,X7R,TP,1608
...4	R143	2007-000074	R-CHIP;100ohm,5%,1/16W,DA,TP,1608	...4	CD618	2203-001211	C-CERAMIC,CHIP;8.2nF,10%,50V,X7R,TP,1608
...4	R144	2007-000074	R-CHIP;100ohm,5%,1/16W,DA,TP,1608	...4	CD619	2203-001211	C-CERAMIC,CHIP;8.2nF,10%,50V,X7R,TP,1608
...4	R145	2007-000043	R-CHIP;1Kohm,1%,1/16W,DA,TP,1608	...4	CD620	2203-001211	C-CERAMIC,CHIP;8.2nF,10%,50V,X7R,TP,1608
...4	R146	2007-000869	R-CHIP;4.7Kohm,1%,1/16W,DA,TP,1608	...4	CD621	2401-000922	C-AL;22uF,20%,16V,GP,TP,5x5,5
...4	R147	2007-000086	R-CHIP;5.6Kohm,5%,1/16W,DA,TP,1608	...4	CD622	2401-000922	C-AL;22uF,20%,16V,GP,TP,5x5,5
...4	R148	2007-000043	R-CHIP;1Kohm,1%,1/16W,DA,TP,1608	...4	CD623	2401-000922	C-AL;22uF,20%,16V,GP,TP,5x5,5
...4	R149	2007-000869	R-CHIP;4.7Kohm,1%,1/16W,DA,TP,1608	...4	CD624	2401-000922	C-AL;22uF,20%,16V,GP,TP,5x5,5
...4	R150	2007-000086	R-CHIP;5.6Kohm,5%,1/16W,DA,TP,1608	...4	CD625	2401-000922	C-AL;22uF,20%,16V,GP,TP,5x5,5
...4	R151	2007-000074	R-CHIP;100ohm,5%,1/16W,DA,TP,1608	...4	CD626	2401-000426	C-AL;10uF,20%,16V,GP,TP,3.5x5,5

Loc. No.	Code No.	Description ; Specification	Remark	Loc. No.	Code No.	Description ; Specification	Remark
....4	CD627	2401-000922	C-AL;22uF,20%,16V,GP,TP,5x5,5	...3	CD46	2203-000181	C-CERAMIC,CHIP;100nF,+80-20%,25V,Y5V,TP,
....4	CD628	2401-000922	C-AL;22uF,20%,16V,GP,TP,5x5,5	...3	CD47	2401-000455	C-AL;10uF,20%,35V,GP,TP,4x7mm,5mm
....4	CD629	2203-000590	C-CERAMIC,CHIP;330NF,10%,16V,X7R,TP,2012	...3	CD50	2203-000181	C-CERAMIC,CHIP;100nF,+80-20%,25V,Y5V,TP,
....4	CD630	2401-000426	C-AL;10uF,20%,16V,GP,TP,3.5x5,5	...3	CD51	2203-000181	C-CERAMIC,CHIP;100nF,+80-20%,25V,Y5V,TP,
....4	CD631	2203-000181	C-CERAMIC,CHIP;100nF,+80-20%,25V,Y5V,TP,	...3	CD52	2203-000181	C-CERAMIC,CHIP;100nF,+80-20%,25V,Y5V,TP,
....4	CD632	2401-000444	C-AL;10uF,20%,25V,GP,TP,5x5mm,5mm	...3	CD53	2203-000181	C-CERAMIC,CHIP;100nF,+80-20%,25V,Y5V,TP,
....4	CD633	2203-000332	C-CERAMIC,CHIP;0.012nF,5%,50V,NPO,TP,160	...3	CD54	2203-000181	C-CERAMIC,CHIP;100nF,+80-20%,25V,Y5V,TP,
....4	CD634	2203-000332	C-CERAMIC,CHIP;0.012nF,5%,50V,NPO,TP,160	...3	CD55	2203-000181	C-CERAMIC,CHIP;100nF,+80-20%,25V,Y5V,TP,
....4	CD635	2203-001071	C-CERAMIC,CHIP;0.056nF,5%,50V,NPO,TP,160	...3	CD56	2203-000181	C-CERAMIC,CHIP;100nF,+80-20%,25V,Y5V,TP,
....4	CD636	2203-001071	C-CERAMIC,CHIP;0.056nF,5%,50V,NPO,TP,160	...3	CD57	2401-001496	C-AL;47uF,20%,16V,GP,TP,5x7,5
....4	CD637	2203-001071	C-CERAMIC,CHIP;0.056nF,5%,50V,NPO,TP,160	...3	CD58	2203-000181	C-CERAMIC,CHIP;100nF,+80-20%,25V,Y5V,TP,
....4	CD638	2203-000236	C-CERAMIC,CHIP;0.1nF,5%,50V,NPO,TP,1608	...3	CD59	2401-001496	C-AL;47uF,20%,16V,GP,TP,5x7,5
....4	CD639	2401-000302	C-AL;100uF,20%,25V,GP,TP,6.3x11,5	...3	CD60	2401-001496	C-AL;47uF,20%,16V,GP,TP,5x7,5
....4	CD640	2203-000181	C-CERAMIC,CHIP;100nF,+80-20%,25V,Y5V,TP,	...3	CD62	2203-000181	C-CERAMIC,CHIP;100nF,+80-20%,25V,Y5V,TP,
....4	CD641	2401-002009	C-AL;100uF,20%,16V,GP,TP,6.3x7,5	...3	CD63	2203-000181	C-CERAMIC,CHIP;100nF,+80-20%,25V,Y5V,TP,
....4	CD642	2203-000140	C-CERAMIC,CHIP;1.5nF,10%,50V,X7R,TP,1608	...3	CD64	2401-001496	C-AL;47uF,20%,16V,GP,TP,5x7,5
....4	CD643	2203-000140	C-CERAMIC,CHIP;1.5nF,10%,50V,X7R,TP,1608	...3	CD66	2401-001496	C-AL;47uF,20%,16V,GP,TP,5x7,5
....4	CD648	2203-000440	C-CERAMIC,CHIP;1nF,10%,50V,X7R,TP,1608,-	...3	CD67	2203-000181	C-CERAMIC,CHIP;100nF,+80-20%,25V,Y5V,TP,
....4	CD649	2203-000440	C-CERAMIC,CHIP;1nF,10%,50V,X7R,TP,1608,-	...3	CD68	2401-001496	C-AL;47uF,20%,16V,GP,TP,5x7,5
....4	CD650	2401-001250	C-AL;4.7uF,20%,35V,GP,TP,4x5,5	...3	CD69	2203-000181	C-CERAMIC,CHIP;100nF,+80-20%,25V,Y5V,TP,
....4	CD652	2401-001250	C-AL;4.7uF,20%,35V,GP,TP,4x5,5	...3	CD71	2401-001496	C-AL;47uF,20%,16V,GP,TP,5x7,5
....4	CD653	2401-000922	C-AL;22uF,20%,16V,GP,TP,5x5,5	...3	CD72	2203-000181	C-CERAMIC,CHIP;100nF,+80-20%,25V,Y5V,TP,
....4	CD654	2401-000922	C-AL;22uF,20%,16V,GP,TP,5x5,5	...3	CD74	2203-000181	C-CERAMIC,CHIP;100nF,+80-20%,25V,Y5V,TP,
....4	CD660	2401-000922	C-AL;22uF,20%,16V,GP,TP,5x5,5	...3	CD75	2203-000626	C-CERAMIC,CHIP;0.022nF,5%,50V,NPO,TP,160
....4	CD662	2203-000181	C-CERAMIC,CHIP;100nF,+80-20%,25V,Y5V,TP,	...3	CD80	2203-000357	C-CERAMIC,CHIP;0.15nF,5%,50V,NPO,TP,1608
....4	CD670	2203-000236	C-CERAMIC,CHIP;0.1nF,5%,50V,NPO,TP,1608	...3	CD81	2203-000181	C-CERAMIC,CHIP;100nF,+80-20%,25V,Y5V,TP,
....4	ICD601	1204-001631	IC-SOUND PROCESSOR,MSP3450G,QFP,80P,-PL	...3	CD84	2203-000181	C-CERAMIC,CHIP;100nF,+80-20%,25V,Y5V,TP,
....4	ICD602	1201-000541	IC-OP AMP;062,SOP,8P;153MIL,DUAL,6V,mV,P	...3	CD85	2203-000838	C-CERAMIC,CHIP;0.39nF,5%,50V,NPO,TP,1608
....4	LD601	2701-001032	INDUCTOR-AXIAL;100uH,10%,5x14mm	...3	CD86	2203-000181	C-CERAMIC,CHIP;100nF,+80-20%,25V,Y5V,TP,
....4	LD602	2701-001032	INDUCTOR-AXIAL;100uH,10%,5x14mm	...3	CD87	2203-000181	C-CERAMIC,CHIP;100nF,+80-20%,25V,Y5V,TP,
....4	LD603	2701-001032	INDUCTOR-AXIAL;100uH,10%,5x14mm	...3	CD88	2203-000626	C-CERAMIC,CHIP;0.022nF,5%,50V,NPO,TP,160
....4	PCB	AA41-00335A	PCB-SOUND;PCL545R,FR-4,2L,A,1.6T,180X245	...3	CD89	2203-000626	C-CERAMIC,CHIP;0.022nF,5%,50V,NPO,TP,160
....4	RD601	2007-000078	R-CHIP;1Kohm,5%,1/16W,DA,TP,1608	...3	CD90	2203-000181	C-CERAMIC,CHIP;100nF,+80-20%,25V,Y5V,TP,
....4	RD602	2007-000078	R-CHIP;1Kohm,5%,1/16W,DA,TP,1608	...3	CD91	2203-000181	C-CERAMIC,CHIP;100nF,+80-20%,25V,Y5V,TP,
....4	RD603	2007-000078	R-CHIP;1Kohm,5%,1/16W,DA,TP,1608	...3	CON01	3711-002705	CONNECTOR-HEADER;NOWALL,7P,1R,2.5mm,ANGL
....4	RD604	2007-000078	R-CHIP;1Kohm,5%,1/16W,DA,TP,1608	...3	CON02	3711-002703	CONNECTOR-HEADER;NOWALL,5P,1R,2.5mm,ANGL
....4	RD605	2007-000078	R-CHIP;1Kohm,5%,1/16W,DA,TP,1608	...3	DD01	0403-001016	DIODE-ZENER;RLZ6.2B,6.2V,5.96-6.27V,400m
....4	RD606	2007-000078	R-CHIP;1Kohm,5%,1/16W,DA,TP,1608	...3	DD02	0403-001016	DIODE-ZENER;RLZ6.2B,6.2V,5.96-6.27V,400m
....4	RD607	2007-000078	R-CHIP;1Kohm,5%,1/16W,DA,TP,1608	...3	DD03	0401-000133	DIODE-SWITCHING;RLS4148,100V,200mA,SOD-8
....4	RD608	2007-000078	R-CHIP;1Kohm,5%,1/16W,DA,TP,1608	...3	FD00	2909-001051	FILTER-LC;6MHz,6MHz,0.8dB,TP,5dB/6MHz,30
....4	RD609	2007-000078	R-CHIP;1Kohm,5%,1/16W,DA,TP,1608	...3	FD01	2909-001051	FILTER-LC;6MHz,6MHz,0.8dB,TP,5dB/6MHz,30
....4	RD610	2007-000074	R-CHIP;100ohm,5%,1/16W,DA,TP,1608	...3	FD02	2909-001052	FILTER-LC;3.58MHz,3MHz,1.5dB,TP,11dB/1.0
....4	RD611	2007-000074	R-CHIP;100ohm,5%,1/16W,DA,TP,1608	...3	FD03	2909-001051	FILTER-LC;6MHz,6MHz,0.8dB,TP,5dB/6MHz,30
....4	RD613	2007-000084	R-CHIP;4.7Kohm,5%,1/16W,DA,TP,1608	...3	IC01	1204-001556	IC-SEPARATOR;UPD64082GF,QFP,100P,-PLAST
....4	RD614	2007-000074	R-CHIP;100ohm,5%,1/16W,DA,TP,1608	...3	IC02	1105-001334	IC-DRAM;4E151612,1Mx16Bit,TSOP,44P,400
....4	RD615	2007-000074	R-CHIP;100ohm,5%,1/16W,DA,TP,1608	...3	IC04	1203-001419	IC-VOLTAGE REGULATOR;4931,TO-252,3P,6.6x
....4	RD616	2007-000078	R-CHIP;1Kohm,5%,1/16W,DA,TP,1608	...3	JD01	2007-000070	R-CHIP;0ohm,5%,1/16W,DA,TP,1608
....4	RD617	2007-000078	R-CHIP;1Kohm,5%,1/16W,DA,TP,1608	...3	JD04	2007-000070	R-CHIP;0ohm,5%,1/16W,DA,TP,1608
....4	RD618	2007-000084	R-CHIP;4.7Kohm,5%,1/16W,DA,TP,1608	...3	LD01	2702-001095	INDUCTOR-RADIAL;18uH,10%,6x4mm
....4	RD619	2007-001179	R-CHIP;8.2Kohm,5%,1/16W,DA,TP,1608	...3	LD03	2702-001095	INDUCTOR-RADIAL;18uH,10%,6x4mm
....4	RD620	2007-000134	R-CHIP;33Kohm,5%,1/16W,DA,TP,1608	...3	LD05	2702-001096	INDUCTOR-RADIAL;33uH,10%,6x4mm
....4	RD621	2007-001010	R-CHIP;51Kohm,5%,1/16W,DA,TP,1608	...3	LD06	2702-001095	INDUCTOR-RADIAL;18uH,10%,6x4mm
....4	RD622	2007-000329	R-CHIP;11Kohm,5%,1/16W,DA,TP,1608	...3	LD07	2901-000297	FILTER-EMI ON BOARD;-.3A,-,-3.5x5,TP-
....4	RD623	2007-000329	R-CHIP;11Kohm,5%,1/16W,DA,TP,1608	...3	LD09	2703-000271	INDUCTOR-SMD;4.7uH,10%,2x1.25x1.25mm
....4	RD624	2007-001010	R-CHIP;51Kohm,5%,1/16W,DA,TP,1608	...3	LD10	3301-001186	CORE-FERRITE BEAD;AB,600ohm,3.2x1.6x1.3m
....4	RD625	2007-001179	R-CHIP;8.2Kohm,5%,1/16W,DA,TP,1608	...3	PCB	AA41-00128E	PCB-3D COMB FILTER;CT-29A7DR,FR-4,2L,E,1
....4	RD626	2007-000134	R-CHIP;33Kohm,5%,1/16W,DA,TP,1608	...3	QD10	0501-000344	TR-SMALL SIGNAL;KSC1623-G,NPN,200mW,SOT-
....4	RD627	2007-000084	R-CHIP;4.7Kohm,5%,1/16W,DA,TP,1608	...3	QD11	0501-000280	TR-SMALL SIGNAL;KSA1182,PNP,150mW,SOT-23
....4	RD628	2007-000078	R-CHIP;1Kohm,5%,1/16W,DA,TP,1608	...3	QD12	0501-000280	TR-SMALL SIGNAL;KSA1182,PNP,150mW,SOT-23
....4	RD629	2007-000078	R-CHIP;1Kohm,5%,1/16W,DA,TP,1608	...3	QD13	0501-000344	TR-SMALL SIGNAL;KSC1623-G,NPN,200mW,SOT-
....4	RD638	2007-000078	R-CHIP;1Kohm,5%,1/16W,DA,TP,1608	...3	QD14	0501-000280	TR-SMALL SIGNAL;KSA1182,PNP,150mW,SOT-23
..2	AA95-00981B	ASSY-PCB 3D COMB.;WT-3225HD,K54A		...3	QD15	0501-000280	TR-SMALL SIGNAL;KSA1182,PNP,150mW,SOT-23
...3	CD10	2401-001496	C-AL;47uF,20%,16V,GP,TP,5x7,5	...3	QD16	0501-000280	TR-SMALL SIGNAL;KSA1182,PNP,150mW,SOT-23
...3	CD11	2203-000181	C-CERAMIC,CHIP;100nF,+80-20%,25V,Y5V,TP,	...3	QD17	0501-000344	TR-SMALL SIGNAL;KSC1623-G,NPN,200mW,SOT-
...3	CD12	2401-002464	C-AL;47uF,20%,16V,BP,TP,8x11,5,5	...3	QD18	0501-000280	TR-SMALL SIGNAL;KSA1182,PNP,150mW,SOT-23
...3	CD18	2401-001914	C-AL;1uF,20%,50V,BP,TP,5x11,5	...3	QD19	0501-000344	TR-SMALL SIGNAL;KSC1623-G,NPN,200mW,SOT-
...3	CD20	2203-000181	C-CERAMIC,CHIP;100nF,+80-20%,25V,Y5V,TP,	...3	QD20	0501-000280	TR-SMALL SIGNAL;KSA1182,PNP,150mW,SOT-23
...3	CD21	2203-000181	C-CERAMIC,CHIP;100nF,+80-20%,25V,Y5V,TP,	...3	QD21	0501-000344	TR-SMALL SIGNAL;KSC1623-G,NPN,200mW,SOT-
...3	CD22	2203-001034	C-CERAMIC,CHIP;5.6nF,10%,50V,X7R,TP,1608	...3	QD22	0501-000280	TR-SMALL SIGNAL;KSA1182,PNP,150mW,SOT-23
...3	CD23	2401-000598	C-AL;1uF,20%,50V,GP,TP,4x7,5	...3	QD23	0501-000344	TR-SMALL SIGNAL;KSC1623-G,NPN,200mW,SOT-
...3	CD24	2401-000455	C-AL;10uF,20%,35V,GP,TP,4x7mm,5mm	...3	QD24	0501-000344	TR-SMALL SIGNAL;KSC1623-G,NPN,200mW,SOT-
...3	CD40	2301-000111	C-FILM,PEF;1.8nF,5%,50V,TP,6.5x3.0x5.5mm	...3	QD25	0501-000280	TR-SMALL SIGNAL;KSA1182,PNP,150mW,SOT-23
...3	CD41	2203-000181	C-CERAMIC,CHIP;100nF,+80-20%,25V,Y5V,TP,	...3	QD26	0501-000344	TR-SMALL SIGNAL;KSC1623-G,NPN,200mW,SOT-
...3	CD42	2203-000181	C-CERAMIC,CHIP;100nF,+80-20%,25V,Y5V,TP,	...3	QD27	0501-000344	TR-SMALL SIGNAL;KSC1623-G,NPN,200mW,SOT-
...3	CD43	2203-000181	C-CERAMIC,CHIP;100nF,+80-20%,25V,Y5V,TP,	...3	QD28	0501-000280	TR-SMALL SIGNAL;KSA1182,PNP,150mW,SOT-23
...3	CD44	2203-000181	C-CERAMIC,CHIP;100nF,+80-20%,25V,Y5V,TP,	...3	QD40	0501-000344	TR-SMALL SIGNAL;KSC1623-G,NPN,200mW,SOT-
...3	CD45	2401-000455	C-AL;10uF,20%,35V,GP,TP,4x7mm,5mm	...3	QD41	0501-000344	TR-SMALL SIGNAL;KSC1623-G,NPN,200mW,SOT-

Loc. No.	Code No.	Description ; Specification	Remark	Loc. No.	Code No.	Description ; Specification	Remark
...3	RD00	2007-000074	R-CHIP;100ohm,5%,1/16W,DA,TP,1608	...	AA63-40014A	SHIELD-CASE,T,-,SPT,TO.5,SCT51A,-	
...3	RD01	2007-000074	R-CHIP;100ohm,5%,1/16W,DA,TP,1608	...2	AA95-00709A	ASSY-PCB,MICOM;PCL545R,P54A	
...3	RD02	2007-000119	R-CHIP;560ohm,5%,1/16W,DA,TP,1608	...3	CN901	3703-001175	CONNECTOR-DIN;64P2R,MALE,ANGLE,AU
...3	RD03	2007-000074	R-CHIP;100ohm,5%,1/16W,DA,TP,1608	...3	IC901	AA09-00101A	IC MICOM;Z9037116PSC-OTP;SVP43J5M,52P5
...3	RD04	2007-000094	R-CHIP;22Kohm,5%,1/16W,DA,TP,1608	...3	IC902	1103-001213	IC-EEPROM;M24C16-WB6,2048x8Bit,SDIP8P,
...3	RD05	2007-000088	R-CHIP;7.5Kohm,5%,1/16W,DA,TP,1608	...3	L903	2701-001032	INDUCTOR-AXIAL;100uH,10%,5x14mm
...3	RD06	2007-000078	R-CHIP;1Kohm,5%,1/16W,DA,TP,1608	...3	X901	2801-003224	CRYSTAL-UNIT;32.768KHZ,20PPM,28-AA,12.5
...3	RD07	2007-000078	R-CHIP;1Kohm,5%,1/16W,DA,TP,1608	...		0202-000187	SOLDER-WIRE FLUX;-;RS60S,D1.2,63Sn/37Pb
...3	RD08	2007-000119	R-CHIP;560ohm,5%,1/16W,DA,TP,1608	...		0202-001167	SOLDER-CREAM;RX3603-2330HO,S45A,PASTE,SN
...3	RD09	2007-000086	R-CHIP;5.6Kohm,5%,1/16W,DA,TP,1608	...3	AA99-20080P	ASSY-PCB SUB,AUTO; AA95-00709A	S.N.A
...3	RD10	2007-000074	R-CHIP;100ohm,5%,1/16W,DA,TP,1608	...4	C901	2201-000292	C-CERAMIC,DISC;1nF,10%,50V,Y5P,TP;5x3.5,
...3	RD11	2007-000074	R-CHIP;100ohm,5%,1/16W,DA,TP,1608	...4	C902	2203-000181	C-CERAMIC,CHIP;100nF,+80-20%,25V,Y5V,TP,
...3	RD12	2007-000094	R-CHIP;22Kohm,5%,1/16W,DA,TP,1608	...4	C903	2203-000595	C-CERAMIC,CHIP;0.22nF,5%,50V,NPO,TP,2012
...3	RD13	2007-000088	R-CHIP;7.5Kohm,5%,1/16W,DA,TP,1608	...4	C904	2201-000119	C-CERAMIC,DISC;100nF,+80-20%,50V,Y5V,TP,
...3	RD14	2007-000309	R-CHIP;10ohm,5%,1/16W,DA,TP,1608	...4	C905	2401-001496	C-AL;47uF,20%,16V,GP,TP;5x7.5
...3	RD15	2007-000078	R-CHIP;1Kohm,5%,1/16W,DA,TP,1608	...4	C906	2201-000119	C-CERAMIC,DISC;100nF,+80-20%,50V,Y5V,TP,
...3	RD16	2007-000119	R-CHIP;560ohm,5%,1/16W,DA,TP,1608	...4	C907	2301-000111	C-FILM,PEF;1.8nF,5%,50V,TP;6.5x3.0x5.5mm
...3	RD17	2007-000086	R-CHIP;5.6Kohm,5%,1/16W,DA,TP,1608	...4	C908	2201-000292	C-CERAMIC,DISC;1nF,10%,50V,Y5P,TP;5x3.5,
...3	RD18	2007-000074	R-CHIP;100ohm,5%,1/16W,DA,TP,1608	...4	C909	2201-000292	C-CERAMIC,DISC;1nF,10%,50V,Y5P,TP;5x3.5,
...3	RD19	2007-000119	R-CHIP;560ohm,5%,1/16W,DA,TP,1608	...4	C910	2201-000292	C-CERAMIC,DISC;1nF,10%,50V,Y5P,TP;5x3.5,
...3	RD20	2007-001093	R-CHIP;620ohm,5%,1/16W,DA,TP,1608	...4	C911	2306-000122	C-FILM,MPPF;100nF,5%,50V,TP;7.3x4.0x5.0mm
...3	RD21	2007-000075	R-CHIP;220ohm,5%,1/16W,DA,TP,1608	...4	C912	2201-000119	C-CERAMIC,DISC;100nF,+80-20%,50V,Y5V,TP,
...3	RD22	2007-000078	R-CHIP;1Kohm,5%,1/16W,DA,TP,1608	...4	C913	2201-000193	C-CERAMIC,DISC;0.01nF,0.25pF,50V,NPO,TP,
...3	RD23	2007-000124	R-CHIP;2.2Kohm,5%,1/16W,DA,TP,1608	...4	C914	2201-000578	C-CERAMIC,DISC;0.047nF,5%,50V,UJ,TP;5x3.
...3	RD24	2007-000097	R-CHIP;47Kohm,5%,1/16W,DA,TP,1608	...4	C915	2201-000119	C-CERAMIC,DISC;100nF,+80-20%,50V,Y5V,TP,
...3	RD25	2007-000106	R-CHIP;220Kohm,5%,1/16W,DA,TP,1608	...4	C916	2401-002183	C-AL;220uF,20%,16V,GP,TP;8x9.5mm
...3	RD26	2007-000077	R-CHIP;470ohm,5%,1/16W,DA,TP,1608	...4	C917	2401-001496	C-AL;47uF,20%,16V,GP,TP;5x7.5
...3	RD27	2007-000084	R-CHIP;4.7Kohm,5%,1/16W,DA,TP,1608	...4	C918	2201-000119	C-CERAMIC,DISC;100nF,+80-20%,50V,Y5V,TP,
...3	RD37	2007-001093	R-CHIP;620ohm,5%,1/16W,DA,TP,1608	...4	C919	2401-000486	C-AL;10uF,20%,50V,GP,TP;6.3x7mm,5
...3	RD38	2007-000074	R-CHIP;100ohm,5%,1/16W,DA,TP,1608	...4	C920	2201-000119	C-CERAMIC,DISC;100nF,+80-20%,50V,Y5V,TP,
...3	RD39	2007-000078	R-CHIP;1Kohm,5%,1/16W,DA,TP,1608	...4	C921	2203-000595	C-CERAMIC,CHIP;0.22nF,5%,50V,NPO,TP,2012
...3	RD40	2007-000583	R-CHIP;22Kohm,1%,1/16W,DA,TP,1608	...4	C925	2201-000119	C-CERAMIC,DISC;100nF,+80-20%,50V,Y5V,TP,
...3	RD41	2007-000052	R-CHIP;10Kohm,1%,1/16W,DA,TP,1608	...4	C926	2401-000486	C-AL;10uF,20%,50V,GP,TP;6.3x7mm,5
...3	RD42	2007-000583	R-CHIP;22Kohm,1%,1/16W,DA,TP,1608	...4	C927	2201-000578	C-CERAMIC,DISC;0.047nF,5%,50V,UJ,TP;5x3.
...3	RD43	2007-000869	R-CHIP;4.7Kohm,1%,1/16W,DA,TP,1608	...4	C928	2201-000578	C-CERAMIC,DISC;0.047nF,5%,50V,UJ,TP;5x3.
...3	RD50	2007-000074	R-CHIP;100ohm,5%,1/16W,DA,TP,1608	...4	D901	0401-000133	DIODE-SWITCHING;RLS4148,100V,200mA,SOD-8
...3	RD51	2007-000078	R-CHIP;1Kohm,5%,1/16W,DA,TP,1608	...4	D902	0401-000133	DIODE-SWITCHING;RLS4148,100V,200mA,SOD-8
...3	RD59	2007-000102	R-CHIP;100Kohm,5%,1/16W,DA,TP,1608	...4	D903	0401-000133	DIODE-SWITCHING;RLS4148,100V,200mA,SOD-8
...3	RD62	2007-000309	R-CHIP;10ohm,5%,1/16W,DA,TP,1608	...4	D904	0401-000133	DIODE-SWITCHING;RLS4148,100V,200mA,SOD-8
...3	RD63	2007-000124	R-CHIP;2.2Kohm,5%,1/16W,DA,TP,1608	...4	D905	0401-000133	DIODE-SWITCHING;RLS4148,100V,200mA,SOD-8
...3	RD64	2007-000078	R-CHIP;1Kohm,5%,1/16W,DA,TP,1608	...4	DZ903	0403-001016	DIODE-ZENER;RLZ6.2B,6.2V,5.96-6.27V,400m
...3	RD65	2007-000078	R-CHIP;1Kohm,5%,1/16W,DA,TP,1608	...4	DZ904	0403-001016	DIODE-ZENER;RLZ6.2B,6.2V,5.96-6.27V,400m
...3	RD66	2007-000096	R-CHIP;30Kohm,5%,1/16W,DA,TP,1608	...4	DZ905	0403-001016	DIODE-ZENER;RLZ6.2B,6.2V,5.96-6.27V,400m
...3	RD67	2007-000125	R-CHIP;3.9Kohm,5%,1/16W,DA,TP,1608	...4	DZ911	0403-000620	DIODE-ZENER;RLZ5.6B,5.6,5.500mV,LL-34,TP
...3	RD68	2007-000124	R-CHIP;2.2Kohm,5%,1/16W,DA,TP,1608	...4	DZ912	0403-000620	DIODE-ZENER;RLZ5.6B,5.6,5.500mV,LL-34,TP
...3	RD69	2007-000077	R-CHIP;470ohm,5%,1/16W,DA,TP,1608	...4	DZ913	0403-000620	DIODE-ZENER;RLZ5.6B,5.6,5.500mV,LL-34,TP
...3	RD70	2007-000077	R-CHIP;470ohm,5%,1/16W,DA,TP,1608	...4	DZ916	0403-001016	DIODE-ZENER;RLZ6.2B,6.2V,5.96-6.27V,400m
...3	RD71	2007-000234	R-CHIP;1.3Kohm,5%,1/16W,DA,TP,1608	...4	DZ917	0403-001016	DIODE-ZENER;RLZ6.2B,6.2V,5.96-6.27V,400m
...3	RD72	2007-000077	R-CHIP;470ohm,5%,1/16W,DA,TP,1608	...4	DZ918	0403-001016	DIODE-ZENER;RLZ6.2B,6.2V,5.96-6.27V,400m
...3	RD73	2007-000074	R-CHIP;100ohm,5%,1/16W,DA,TP,1608	...4	F901	2901-000297	FILTER-EMI ON BOARD;-;3A,-,-,3.5x5,TP,-
...3	RD74	2007-000077	R-CHIP;470ohm,5%,1/16W,DA,TP,1608	...4	IC903	1203-001274	IC-VOL. DETECTOR;7545,TO-92,3P,-,PLASTIC
...3	RD75	2007-000074	R-CHIP;100ohm,5%,1/16W,DA,TP,1608	...4	IC904	1203-000515	IC-VOL. DETECTOR;7042,TO-92,3P,177MIL,PL
...3	RD76	2007-000074	R-CHIP;100ohm,5%,1/16W,DA,TP,1608	...4	L902	2702-001094	INDUCTOR-RADIAL;10uH,10%,6x4mm
...3	RD77	2007-000074	R-CHIP;100ohm,5%,1/16W,DA,TP,1608	...4	L910	2901-000297	FILTER-EMI ON BOARD;-;3A,-,-,3.5x5,TP,-
...3	RD78	2007-000074	R-CHIP;100ohm,5%,1/16W,DA,TP,1608	...4	L911	2901-000297	FILTER-EMI ON BOARD;-;3A,-,-,3.5x5,TP,-
...3	RD79	2007-000074	R-CHIP;100ohm,5%,1/16W,DA,TP,1608	...4	L912	2901-000297	FILTER-EMI ON BOARD;-;3A,-,-,3.5x5,TP,-
...3	RD82	2007-000309	R-CHIP;10ohm,5%,1/16W,DA,TP,1608	...4	L913	2702-001094	INDUCTOR-RADIAL;10uH,10%,6x4mm
...3	RD83	2007-000124	R-CHIP;2.2Kohm,5%,1/16W,DA,TP,1608	...4	PCB	AA41-00338A	PCB-MICOM;PCL545R,FR-4,2LA,1.6T,180X245
...3	RD84	2007-000119	R-CHIP;560ohm,5%,1/16W,DA,TP,1608	...4	Q901	0501-000389	TR-SMALL SIGNAL;KSC815,NPN,400mW,TO-92,T
...3	RD85	2007-000086	R-CHIP;5.6Kohm,5%,1/16W,DA,TP,1608	...4	Q902	0501-000389	TR-SMALL SIGNAL;KSC815,NPN,400mW,TO-92,T
...3	RD86	2007-000077	R-CHIP;470ohm,5%,1/16W,DA,TP,1608	...4	Q903	0501-000389	TR-SMALL SIGNAL;KSC815,NPN,400mW,TO-92,T
...3	RD87	2007-000077	R-CHIP;470ohm,5%,1/16W,DA,TP,1608	...4	Q909	0501-000283	TR-SMALL SIGNAL;KSA539,PNP,400mW,TO-92,T
...3	RD88	2007-000211	R-CHIP;1.1Kohm,5%,1/16W,DA,TP,1608	...4	Q910	0501-000389	TR-SMALL SIGNAL;KSC815,NPN,400mW,TO-92,T
...3	RD89	2007-000113	R-CHIP;33ohm,5%,1/16W,DA,TP,1608	...4	Q911	0501-000389	TR-SMALL SIGNAL;KSC815,NPN,400mW,TO-92,T
...3	RD90	2007-000074	R-CHIP;100ohm,5%,1/16W,DA,TP,1608	...4	R901	2007-000084	R-CHIP;4.7Kohm,5%,1/16W,DA,TP,1608
...3	RD91	2007-000077	R-CHIP;470ohm,5%,1/16W,DA,TP,1608	...4	R902	2007-000097	R-CHIP;47Kohm,5%,1/16W,DA,TP,1608
...3	RD92	2007-000074	R-CHIP;100ohm,5%,1/16W,DA,TP,1608	...4	R903	2007-000078	R-CHIP;1Kohm,5%,1/16W,DA,TP,1608
...3	RD93	2007-000070	R-CHIP;0ohm,5%,1/16W,DA,TP,1608	...4	R904	2007-000090	R-CHIP;10Kohm,5%,1/16W,DA,TP,1608
...3	RD94	2007-000070	R-CHIP;0ohm,5%,1/16W,DA,TP,1608	...4	R905	2007-000084	R-CHIP;4.7Kohm,5%,1/16W,DA,TP,1608
...3	RD95	2007-000078	R-CHIP;1Kohm,5%,1/16W,DA,TP,1608	...4	R907	2007-000078	R-CHIP;1Kohm,5%,1/16W,DA,TP,1608
...3	RD96	2007-000077	R-CHIP;470ohm,5%,1/16W,DA,TP,1608	...4	R908	2007-000078	R-CHIP;1Kohm,5%,1/16W,DA,TP,1608
...3	RD97	2007-000077	R-CHIP;470ohm,5%,1/16W,DA,TP,1608	...4	R911	2007-000090	R-CHIP;10Kohm,5%,1/16W,DA,TP,1608
...3	RD98	2007-000070	R-CHIP;0ohm,5%,1/16W,DA,TP,1608	...4	R912	2007-000076	R-CHIP;330ohm,5%,1/16W,DA,TP,1608
...3	XTAL01	2801-000199	CRYSTAL-UNIT;20MHz,50ppm,28-AAA,16pf,50o	...4	R913	2007-000097	R-CHIP;47Kohm,5%,1/16W,DA,TP,1608
...3	AA98-60005J	ASSY-SUB,PART;S51A,SOUND,NICAM,-		...4	R914	2007-000074	R-CHIP;100ohm,5%,1/16W,DA,TP,1608
...4	0202-001004	SOLDER-CREAM;SQ-2030M SZH-1,S63A,DO.04,6		...4	R915	2007-000074	R-CHIP;100ohm,5%,1/16W,DA,TP,1608
...4	0202-000187	SOLDER-WIRE FLUX;-;RS60S,D1.2,63Sn/37Pb		...4	R916	2007-000081	R-CHIP;2.7Kohm,5%,1/16W,DA,TP,1608

Loc. No.	Code No.	Description ; Specification	Remark
....4 R917	2007-000081	R-CHIP;2.7Kohm,5%,1/16W,DA,TP,1608	
....4 R918	2007-000869	R-CHIP;4.7Kohm,1%,1/16W,DA,TP,1608	
....4 R919	2007-000458	R-CHIP;18Kohm,5%,1/16W,DA,TP,1608	
....4 R920	2007-000077	R-CHIP;470ohm,5%,1/16W,DA,TP,1608	
....4 R921	2007-000087	R-CHIP;6.8Kohm,5%,1/16W,DA,TP,1608	
....4 R922	2007-000087	R-CHIP;6.8Kohm,5%,1/16W,DA,TP,1608	
....4 R923	2007-000074	R-CHIP;100ohm,5%,1/16W,DA,TP,1608	
....4 R924	2007-000074	R-CHIP;100ohm,5%,1/16W,DA,TP,1608	
....4 R925	2007-000123	R-CHIP;1.5Kohm,5%,1/16W,DA,TP,1608	
....4 R926	2007-000123	R-CHIP;1.5Kohm,5%,1/16W,DA,TP,1608	
....4 R927	2007-000123	R-CHIP;1.5Kohm,5%,1/16W,DA,TP,1608	
....4 R928	2007-000081	R-CHIP;2.7Kohm,5%,1/16W,DA,TP,1608	
....4 R929	2007-000123	R-CHIP;1.5Kohm,5%,1/16W,DA,TP,1608	
....4 R930	2007-000084	R-CHIP;4.7Kohm,5%,1/16W,DA,TP,1608	
....4 R931	2007-000084	R-CHIP;4.7Kohm,5%,1/16W,DA,TP,1608	
....4 R932	2007-000084	R-CHIP;4.7Kohm,5%,1/16W,DA,TP,1608	
....4 R934	2007-000074	R-CHIP;100ohm,5%,1/16W,DA,TP,1608	
....4 R935	2007-000074	R-CHIP;100ohm,5%,1/16W,DA,TP,1608	
....4 R936	2007-000074	R-CHIP;100ohm,5%,1/16W,DA,TP,1608	
....4 R937	2007-000078	R-CHIP;1Kohm,5%,1/16W,DA,TP,1608	
....4 R945	2007-001093	R-CHIP;620ohm,5%,1/16W,DA,TP,1608	
....4 R946	2007-000090	R-CHIP;10Kohm,5%,1/16W,DA,TP,1608	
....4 R947	2007-000090	R-CHIP;10Kohm,5%,1/16W,DA,TP,1608	
....4 R948	2007-000078	R-CHIP;1Kohm,5%,1/16W,DA,TP,1608	
....4 R949	2007-000082	R-CHIP;3.3Kohm,5%,1/16W,DA,TP,1608	
....4 R950	2007-000078	R-CHIP;1Kohm,5%,1/16W,DA,TP,1608	
....4 R951	2007-000082	R-CHIP;3.3Kohm,5%,1/16W,DA,TP,1608	
....4 R958	2007-000074	R-CHIP;100ohm,5%,1/16W,DA,TP,1608	
....4 R959	2007-000074	R-CHIP;100ohm,5%,1/16W,DA,TP,1608	
....4 R960	2007-000074	R-CHIP;100ohm,5%,1/16W,DA,TP,1608	
....4 R961	2007-000084	R-CHIP;4.7Kohm,5%,1/16W,DA,TP,1608	
....4 R962	2007-000098	R-CHIP;56Kohm,5%,1/16W,DA,TP,1608	
....4 R963	2007-000082	R-CHIP;3.3Kohm,5%,1/16W,DA,TP,1608	
....4 R964	2007-000084	R-CHIP;4.7Kohm,5%,1/16W,DA,TP,1608	
....4 R965	2007-000084	R-CHIP;4.7Kohm,5%,1/16W,DA,TP,1608	
....4 R967	2007-000078	R-CHIP;1Kohm,5%,1/16W,DA,TP,1608	
....4 R968	2007-000078	R-CHIP;1Kohm,5%,1/16W,DA,TP,1608	
....4 R969	2007-000084	R-CHIP;4.7Kohm,5%,1/16W,DA,TP,1608	
....4 R971	2007-000086	R-CHIP;5.6Kohm,5%,1/16W,DA,TP,1608	
....4 R972	2007-000070	R-CHIP;0ohm,5%,1/16W,DA,TP,1608	
....4 R973	2007-000084	R-CHIP;4.7Kohm,5%,1/16W,DA,TP,1608	
....4 R974	2007-000078	R-CHIP;1Kohm,5%,1/16W,DA,TP,1608	
....4 R976	2007-000078	R-CHIP;1Kohm,5%,1/16W,DA,TP,1608	
....4 R977	2007-000305	R-CHIP;10Mohm,5%,1/16W,DA,TP,1608	
....4 R978	2007-000090	R-CHIP;10Kohm,5%,1/16W,DA,TP,1608	
....4 R981	2007-000122	R-CHIP;1.2Kohm,5%,1/16W,DA,TP,1608	
....4 R982	2007-000122	R-CHIP;1.2Kohm,5%,1/16W,DA,TP,1608	
....4 R983	2007-000122	R-CHIP;1.2Kohm,5%,1/16W,DA,TP,1608	

**ASSY CRT-(B)**

△ 1	*AA94-03342A	ASSY CRT-(B);P16LSG03BMB,+380MG,7,-,PCL5	S.N.A
..2 BC+AL	AA60-10011A	SCREW-TAPTITE;-SWRCH18A,M4,L12,HH,+,PC,	
..2	AA65-30114A	CLAMP-LOCK;NYLON 66,V2,NTR,-,PROJECTION,	
..2	AA64-01316B	CASE-COUPLER,BLUE;53,T2.0,AL SHEET,-,	
..2	AA61-00602B	BRACKET-LENS,RB;PROJECTION,SECC ,T1.6,-,	
..2	AA61-00555B	HOLDER-LANS;53J8,PC ABS,BLK,-,GF20%	
..2	AA27-00151A	DEFLECTION YOKE;-CDY-PT0702(X),PRT,P16L	
..2	AA91-00491A	ASSY-HOLDER,PACK;-FILM PP RUBBER,54J8	
..3	AA60-0062B	SPACER-O,RING;53,SILICON,-,-,GRAY,-,-,	
..3	AA61-00477B	HOLDER-PACK;43,53,61J8,PP,-,HB,-,-,	
..2	AA91-00449A	ASSY-BRACKET,CRT;-SECC T1.0,PJT	
..3	AA61-00473B	BRACKET-CRT;53,SECC,T1.6,-,-,-,-,	
..3	AA61-00478A	SPRING-WIRE,CRT;PJT,STS,-,-,-,-,-,-,-,	
..3	AA61-00615B	BRACKET-EARTH;54J8,PBS,TO.5,-,-,-,-,	
..2	AA67-10007A	LENS;-DELTA,CLEAR,PJT,-,77,79,-	
..2	AA67-10005A	LENS-ASSY;-DELTA,CLEAR,S4388,-,77,-	
..2	AA26-30006F	TRANS-FLYBACK;-FWZ-50A001C,55,30KV	
..2	AA03-00202A	CRT MONO;P16LSG03BMB,-,7inch,-,-,-,FLAT	
..2	AA60-00074A	SPACER-DY;PJT,SILICON RUBBER,-,-,-,GRAY,	
..2	AA60-00063B	SPACER-CLENS;53,SILICON,-,-,-,GRAY,-,-,-	
..2	AA60-00061B	SPACER-CRT;53,SILICON,-,-,-,GRAY,-,-,-	
..2	AA39-00018A	LEAD CONNECTOR-ASSY;1P,YFH800-01,YRH187	
..2	AA33-00008A	MAGNET CONVERGENCE;JH92LTU-36A,7inchPRT,	

**ASSY CRT-(G)**

△ 1	*AA94-03341A	ASSY CRT-(G);P16LSG03HKA,+380MG,7,-,PCL5	S.N.A
..2 BC+AL	AA60-10011A	SCREW-TAPTITE;-SWRCH18A,M4,L12,HH,+,PC,	
..2	AA61-00476B	BRACKET-LENS;53,SECC,T1.6,-,-,-,-	
..2	AA61-00555B	HOLDER-LANS;53J8,PC ABS,BLK,-,GF20%	
..2	AA64-01315B	CASE-COUPLER,GREEN;43,53,61,T2.0,AL SHE	
..2	AA65-30114A	CLAMP-LOCK;NYLON 66,V2,NTR,-,PROJECTION,	
..2	AA67-10005A	LENS-ASSY;-DELTA,CLEAR,S4388,-,77,-	
..2	AA67-10071A	LENS;DELTA 77 79,-,GREEN,C ELEMENT,	
..2	AA91-00449A	ASSY-BRACKET,CRT;-SECC T1.0,PJT	
..3	AA61-00473B	BRACKET-CRT;53,SECC,T1.6,-,-,-,-	
..3	AA61-00478A	SPRING-WIRE,CRT;PJT,STS,-,-,-,-,-,-,-,	
..3	AA61-00615B	BRACKET-EARTH;54J8,PBS,TO.5,-,-,-,-	
..2	AA91-00491A	ASSY-HOLDER,PACK;-FILM PP RUBBER,54J8	
..3	AA60-00062B	SPACER-O,RING;53,SILICON,-,-,-,GRAY,-,-,	
..3	AA61-00477B	HOLDER-PACK;43,53,61J8,PP,-,HB,-,-,	
..2	AA27-00151A	DEFLECTION YOKE;-CDY-PT0702(X),PRT,P16L	
..2	AA03-00201A	CRT MONO;P16LSG03HKA,-,7inch,-,-,-,FLAT	
..2	AA26-30006F	TRANS-FLYBACK;-FWZ-50A001C,55,30KV	
..2	AA39-00018A	LEAD CONNECTOR-ASSY;1P,YFH800-01,YRH187	
..2	AA60-00061B	SPACER-CRT;53,SILICON,-,-,-,GRAY,-,-,-	
..2	AA60-00063B	SPACER-CLENS;53,SILICON,-,-,-,GRAY,-,-,-	
..2	AA60-00074A	SPACER-DY;PJT,SILICON RUBBER,-,-,-,GRAY,	

**ASSY CRT-(R)**

△ 1	*AA94-03340A	ASSY CRT-(R);P16LSG03RJA,+380MG,7,-,PCL5	S.N.A
..2 BC+AL	AA60-10011A	SCREW-TAPTITE;-SWRCH18A,M4,L12,HH,+,PC,	
..2	AA65-30114A	CLAMP-LOCK;NYLON 66,V2,NTR,-,PROJECTION,	
..2	AA64-01314B	CASE-COUPLER,RED;53,T2.0,AL SHEET,-,	
..2	AA61-00602B	BRACKET-LENS,RB;PROJECTION,SECC ,T1.6,-,	
..2	AA61-00555B	HOLDER-LANS;53J8,PC ABS,BLK,-,GF20%	
..2	AA27-00151A	DEFLECTION YOKE;-CDY-PT0702(X),PRT,P16L	
..2	AA91-00491A	ASSY-HOLDER,PACK;-FILM PP RUBBER,54J8	
..3	AA60-00062B	SPACER-O,RING;53,SILICON,-,-,-,GRAY,-,-,	
..3	AA61-00477B	HOLDER-PACK;43,53,61J8,PP,-,HB,-,-,	
..2	AA91-00449A	ASSY-BRACKET,CRT;-SECC T1.0,PJT	
..3	AA61-00473B	BRACKET-CRT;53,SECC,T1.6,-,-,-,-,	
..3	AA61-00478A	SPRING-WIRE,CRT;PJT,STS,-,-,-,-,-,-,-,	
..3	AA61-00615B	BRACKET-EARTH;54J8,PBS,TO.5,-,-,-,-	
..2	AA67-10008A	LENS;-DELTA,RED,PJT,-,77,79,-	
..2	AA67-10005A	LENS-ASSY;-DELTA,CLEAR,S4388,-,77,-	
..2	AA26-30006F	TRANS-FLYBACK;-FWZ-50A001C,55,30KV	
..2	AA03-00200A	CRT MONO;P16LSG03RJA,-,7inch,-,-,-,FLAT	
..2	AA60-00074A	SPACER-DY;PJT,SILICON RUBBER,-,-,-,GRAY,	
..2	AA60-00063B	SPACER-CLENS;53,SILICON,-,-,-,GRAY,-,-,-	
..2	AA60-00061B	SPACER-CRT;53,SILICON,-,-,-,GRAY,-,-,-	
..2	AA39-00018A	LEAD CONNECTOR-ASSY;1P,YFH800-01,YRH187	
..2	AA33-00008A	MAGNET CONVERGENCE;JH92LTU-36A,7inchPRT,	

**ASSY CABINET MASK**

1	*AA91-00654B	ASSY CABINET MASK;HB,GRAY,GR801P+BL903P	
..2 C/FRON	AA63-00380A	COVER-CORNER;PJT,POLYESTER,-,-,CLR,#572	
..2	AA64-01495D	CABINET-MASK,SIDE;54J9(PCL5415R),GR801P+	
..3	AA64-01495A	CABINET-MASK,SIDE;54J8,L827.4 APCHUL,ABS	S.N.A
..2	AA64-01393N	CABINET-FRONT,MASK;54J9(PCL5415R),GR801P	
..3	AA64-01393A	CABINET-FRONT,MASK;54J8,L1099.4 APCHUL,A	S.N.A
..2	AA64-01393M	CABINET-FRONT,MASK;54J9(PCL5415R),GR801P	
..3	AA64-01393A	CABINET-FRONT,MASK;54J8,L1099.4 APCHUL,A	S.N.A
..2	AA61-00505B	HOLDER-CORNER;43,54,62J8,ABS,GRAY,HB	

**ASSY-FRONT,BOT**

1	*AA91-00653B	ASSY-FRONT,BOT,VO G4309,HIPS,54J9(PCL54	
..2	AA64-70124C	BADGE-BRAND;AL,R2500,SILVER,L=70,SAMSUNG	

Loc. No.	Code No.	Description ; Specification	Remark	Loc. No.	Code No.	Description ; Specification	Remark
..2	AA64-01743B	CABINET-FRONT,BOT;54J9,HIPS,VO,G4309	S.N.A	..2	AA67-00080A	MIRROR-BACK;54J8,GLASS,940*686*673(132)*	
..2	AA63-60131J	SPACER-FELT;54J9,62J9,FELT,-,-,-,TO,5,	S.N.A	..2	AA67-00023A	SUN SCREEN,HC,-,53,H/C,A/S,PMMA,T=93%,T	
..2	AA61-20129A	HOLDER-WIRE,-,NYLON-66,-,NTR,DAFC-2500		..2	AA65-30008A	CLAMP-CORD;PE,HB,BLK,-,-,-	
..2	AA60-00077A	SPACER-DUAL_LOCK;54J8,#250,-,-,-,-,4		..2	AA64-60421C	INLAY-COVER,-,SEA,PS,TO,3,BLK,-,-	
..2	AA60-00071D	SPACER-JERSEY;54J9,JERSEY,-,-,-,GRAY,-,-		..2	AA67-00116A	SCREEN-LENTI;53,-,T1,1123*852,-,-,TINT=1	
<b>ASSY-WOOD</b>				..2	AA91-00489B	ASSY-BRKT,MIRROR,-,-,SECC-1 T1.0,54J8	
1	*AA91-00620C	ASSY-WOOD,-,WOOD,SDE8326R,54J9(PCL545R)	S.N.A	..3	AA60-00073A	SPACER-FELT;54J8,FELT,-,-,-,T1.0,-,210	S.N.A
..2	AWTAWB	6006-001094 SCREW-ASS'Y WOOD;WWW,HH,+M7,L32,ZPC(YEL)		..3	AA61-00512B	BRACKET-MIRROR;43,53,61J8,SECC-1,T1.0,-,	S.N.A
..2	AA91-00474C	ASSY-WOOD, TOP,-,WOOD SDE8326R,54J9(PCL545	S.N.A	..2	AA67-00116B	SCREEN-FRESNEL;53,-,T2,1125*854,-,-,-	
..3	CW+CWT	AA60-10051B SCREW-WOOD,-,SWRCH18A,M3.5,L11,RH,+,-,-,		..2	AA64-01385C	CABINET-BACK, SIDE;545R,625R(SEA),HIPS,VO	S.N.A
..3	CWTHCW	AA60-10051A SCREW-WOOD,-,SWRCH18A,M4,L16,PH,+,-,-,ZP		..2	AA61-00600A	SPRING-EARTH;43J8,STS,-,-,-,-,-,0.	
..3	AA61-00674C	HOLDER-SCREEN;54 SIDE-L/R,ABS,BLK,HB,834	S.N.A	..2	AA61-00475B	BRACKET-CRT,MAIN;54,SECC,T1.6,-,-,-,-	
..3	AA64-01399B	CABINET-WOOD, TOP;54J9,SDE8326R, WOOD	S.N.A	..2	AA60-00091N	SPACER-FELT,-,FELT,70X10,-,-,BLK,T1.0,-,	S.N.A
..3	AA65-00014C	CLAMP-WIRE;54J9,SINGLE NYLON,BLK		..2	AA60-00072B	SPACER-COVER,DUST;43,54,62J9,SPONGE 94HF	
..3	AA61-00674B	HOLDER-SCREEN;54 TOP/BOTTOM,ABS,BLK,HB,1	S.N.A	..2	AA60-00069C	SPACER-SCREEN;43,54,62J8,ABS,-,-,-,BLK,-	S.N.A
..3	AA61-00644B	HOLDER-SENSOR;P54A(PRJ),PC,VIOLET		..2	AA60-00069B	SPACER-SCREEN;43,54,62J8,ABS,-,-,-,BLK,-	S.N.A
..3	AA61-00507B	HOLDER-CABINET,WOOD;43,54,62J8,ABS,BLK,H		..2	AA26-00101A	TRANS FBT;FWZ50A001E,-,-,-,-,-,-,-,-,-	
..3	AA39-00220A	LEAD CONNECTOR ASSY,-,12P;67096-012,67096	S.N.A	..2	AA64-01384B	CABINET-BACK, BOT;43,54,62J8,-,HIPS,VO,BL	
..2	AA91-00475C	ASSY-WOOD, BOT,-,SDE8326R WOOD,54J9(PCL545	S.N.A	..2	AA64-01379B	CABINET-BACK, TOP;54J8,-,HIPS,HB,BLK	
..3	CASCWB	AA60-10051A SCREW-WOOD,-,SWRCH18A,M4,L16,PH,+,-,-,ZP		..2	AA63-60131F	SPACER-FELT;PCJ612R,FELT,-,-,-,BLK,TO,5,	S.N.A
..3	HCMCWB	AA60-10051A SCREW-WOOD,-,SWRCH18A,M4,L16,PH,+,-,-,ZP		..2	AA61-20285A	HOLDER-BOX,-,3456,PP,VO, WHT,-	
..3	HW+CWB	AA60-10051B SCREW-WOOD,-,SWRCH18A,M3.5,L11,RH,+,-,-,		..2	AA61-00642A	SPRING-EARTH,MAIN;PROJ(J7,J8,J9),STS,67,	
..3	SPKCWB	AA60-10051A SCREW-WOOD,-,SWRCH18A,M4,L16,PH,+,-,-,ZP		..2	AA61-00618B	GUIDE-FLOW;54J8,J7,ABS,-,-,-,BLK,HB	
..3	AA61-00508C	HOLDER-JERSEY;54,62J9,ABS HB,BLK,HB,L40	S.N.A	1	*AA59-00176A	REMOCON,-,TM63,SHARK,51,L/GRAY,DO,-,-,	
..3	AA61-00508B	HOLDER-JERSEY;43,54,62J8,ABS,BLK,HB,-,-		..2	2802-000194	RESONATOR-CERAMIC;8MHZ,1.0%,TP,8.5x4.5x5	
..3	AA61-00506B	HOLDER-CRT,MAIN;43,54,62J8,HIPS,BLK,HB,-		..2	AA09-00051A	IC-MCU;Z86L8808SSC-R501M,SZTM-822,ST,	
..3	AA63-00348B	COVER-DUCT;54,62J8,HIPS,-,HB,BLK,-,-		<b>REMOCON</b>			
..3	AA61-70053A	RAIL-PCB;SVP-524JA,ABS,-,-,-,BLK,VO		<b>ASSY POWER CORD</b>			
..3	AA61-00533B	BRACKET-GRILLE;43,54,62J8,SECC-1 ,TO,5,-		..2	*AA96-00156D	ASSY POWER CORD,-,EP2/YES(US),H/C 200MM,	
..3	AA98-00049A	ASSY-LEAD, CON,-,LEAD-CON,CORE,AA39-20505		..2	AA61-20284A	HOLDER,-,P-CORD,PP,VO,BLK,KE-002	
..4	3301-001201	CORE-FERRITE;AE,21x11x32mm,1500,280G		..2	AA39-10007Y	POWER-CORD,-,EP2/YES,SPT-2 18AWGx2C,2.4m	
..3	AA64-01402B	CABINET-WOOD, BOT;54J9,SDE8326R WOOD	S.N.A	..2	3811-000401	WIRE-PVC CU;BCWA,300V,ROLL,17/0.16mm,#22	
..3	3001-001107	SPEAKER;20W,8ohm,95dB,1300Hz	△ 1	..2	3301-001201	CORE-FERRITE;AE,21x11x32mm,1500,280G	
..3	3001-001134	SPEAKER;30W,8ohm,93dB,60Hz		<b>ASSY ACCESSORY</b>			
..3	AA39-00042A	LEAD CONNECTOR-ASSY,-,2.2UF,REC,REC,200MM		1	*AA94-03463A	ASSY ACCESSORY;PCL545RX/XAA,P54A,U.S.A,S	S.N.A
..3	AA60-00078A	SPACER-DUAL_LOCK;54J8,#250,-,-,-,-,4		..2	AA69-30009C	BAG-SHEET;LDPE,TO,08,W150,L120,-,-,-	
..3	AA61-00094C	HOLDER-RAIL,-,PCJ533R,ABS,HB,BLK,480		..2	AA68-01413A	MANUAL USERS;PCL545R,ENG,W/P100(G),2(1),	
..3	AA61-00097A	HOLDER-WIRE,-,NYLON 6/6,-,NTR,-		..2	AA68-01399A	MANUAL-GUIDE;SEA,ENG,W/P 200(G),1,216X1	
..3	AA61-00458A	CASTER,-,-,TP4015-05 NYL,OH47,-,-,SR4	S.N.A	..2	AA61-20126A	HOLDER-LEG,-,-,ABS,HB,BLK,-	
<b>ASSY CHASSIS PART</b>				..2	AA39-00006A	CABLE-RCA;-,3000MM	
1	*AA90-00757A	ASSY CHASSIS PART;P54A SEA,54J9	S.N.A	<b>ASSY CABINET</b>			
..2	PM+HC	6003-001023 SCREW-TAPTITE;RWH,+B,M3,L10,ZPC(YEL),SW		..2	AC+BCM	AA60-10011A SCREW-TAPTITE,-,SWRCH18A,M4,L12,HH,+PC,	
..2	PP+HC	6003-001023 SCREW-TAPTITE;RWH,+B,M3,L10,ZPC(YEL),SW		..2	APCAF	6002-000522 SCREW-TAPPING;TH,+2,M4,L15,ZPC(BLK),SWR	
..2	PS+HC	6003-001023 SCREW-TAPTITE;RWH,+B,M3,L10,ZPC(YEL),SW		..2	BM+CBT	6003-001026 SCREW-TAPTITE;RH,+B,M4,L15,ZPC(BLK),SWR	
..2	AA61-00504B	HOLDER-CHASSIS;43,54,62J8,ABS,GRAY,VO,-,		..2	CBB	AA64-01395L INLAY-TERMINAL;J9,PS SHEET,TO,5,BLK,P54A	
<b>ASSY CABINET</b>				..2	CBBAPT	6003-001019 SCREW-TAPTITE;RH,+B,M4,L12,ZPC(BLK),SWR	
1	*AA90-00756B	ASSY CABINET;54J9,PCL5415RX/XAA		..2	CBT	AA64-60449B INLAY-COVER;SP-434JMF,PS,TO,5,149.3X69.5	
..2	AC+BCM	AA60-10011A SCREW-TAPTITE,-,SWRCH18A,M4,L12,HH,+PC,		..2	CBT+CW	AA63-60002V SPACER-FELT,-,FELT,-,-,BLK,TO,3,-,60X4	S.N.A
..2	APCAF	6002-000522 SCREW-TAPPING;TH,+2,M4,L15,ZPC(BLK),SWR		..2	CW+CBT	6005-001003 SCREW-WOOD;HH,+M4,L19,ZPC(BLK),SWRCH18A	
..2	BM+CBT	6003-001026 SCREW-TAPTITE;RH,+B,M4,L15,ZPC(BLK),SWR		..2	CWBBCM	6006-001094 SCREW-ASS'Y WOOD;WWW,HH,+M7,L32,ZPC(YEL)	
..2	CBB	AA64-01395L INLAY-TERMINAL;J9,PS SHEET,TO,5,BLK,P54A		..2	CWBCCB	6005-001003 SCREW-WOOD;HH,+M4,L19,ZPC(BLK),SWRCH18A	
..2	CBBAPT	6003-001019 SCREW-TAPTITE;RH,+B,M4,L12,ZPC(BLK),SWR		..2	CWBCCS	6005-001003 SCREW-WOOD;HH,+M4,L19,ZPC(BLK),SWRCH18A	
..2	CBT	AA64-60449B INLAY-COVER;SP-434JMF,PS,TO,5,149.3X69.5		..2	CWBFCB	6005-001003 SCREW-WOOD;HH,+M4,L19,ZPC(BLK),SWRCH18A	
..2	CBT+CW	AA63-60002V SPACER-FELT,-,FELT,-,-,BLK,TO,3,-,60X4	S.N.A	..2	CWBHC	6005-001003 SCREW-WOOD;HH,+M4,L19,ZPC(BLK),SWRCH18A	
..2	CW+CBT	6005-001003 SCREW-WOOD;HH,+M4,L19,ZPC(BLK),SWRCH18A		..2	FP+BCM	AA60-10011A SCREW-TAPTITE,-,SWRCH18A,M4,L12,HH,+PC,	
..2	CWBBCM	6006-001094 SCREW-ASS'Y WOOD;WWW,HH,+M7,L32,ZPC(YEL)		..2	HV+BCM	AA60-10011A SCREW-TAPTITE,-,SWRCH18A,M4,L12,HH,+PC,	
..2	CWBCCB	6005-001003 SCREW-WOOD;HH,+M4,L19,ZPC(BLK),SWRCH18A		..2	WOODBO	AA63-60131A SPACER-FELT;SVP403J,FELT,-,-,-,BLK,TO,5,	
..2	CWBCCS	6005-001003 SCREW-WOOD;HH,+M4,L19,ZPC(BLK),SWRCH18A					

## 7-2 PCL5415RX/XAA(PCL5415R3C/XAA)

Loc. No.	Code No.	Description ; Specification	Remark
<b>ASSY-PCB,INTERFACE</b>			
1	*AA95-00968A	ASSY-PCB,INTERFACE;PCL545R,P54A	
.2	CN05	3711-003641 CONNECTOR-HEADER;BOX,12P,1R,2.5mm,STRAIG	
.2	CN09	3711-002646 CONNECTOR-HEADER;BOX,7P,1R,2.5mm,STRAIGH	
.2	CNW09	AA39-20029L LEAD CONNECTOR ASSY;7P,67096-007,S,800M	
.2	IC01	1201-000229 IC-OP AMP;324,DIP,14P,300MIL,QUAD,100V/m	
.2	IC02	1002-001256 IC-A/D CONVERTER;AD7823YN,8Bits,DIP,8P,2	
.2	IC03	1203-001006 IC-VOLTAGE REGULATOR;78R05,TO-220F,4P,-	
.2	PCB	AA41-00397B PCB-AUTO CONVERGENCE;PCL545R,FR-1,1L,B,1	
.2		0202-000187 SOLDER-WIRE FLUX;-RS60S,D1,2.63Sn/37Pb	
.2		3301-001201 CORE-FERRITE;AE,21x11x32mm,1500,280G	
.2	AA99-20088U	ASSY-PCB SUB,AUTO; AA95-00968A ,V	S.N.A
.3	C01	2201-000949 C-CERAMIC,DISC;0.005nF,0.5pF,50V,UJ,TP,4	
.3	C02	2201-000949 C-CERAMIC,DISC;0.005nF,0.5pF,50V,UJ,TP,4	
.3	C03	2201-000949 C-CERAMIC,DISC;0.005nF,0.5pF,50V,UJ,TP,4	
.3	C04	2201-000949 C-CERAMIC,DISC;0.005nF,0.5pF,50V,UJ,TP,4	
.3	C05	2401-001495 C-AL;47uF,20%,16V,GP,TP,5x11,5	
.3	C06	2201-000119 C-CERAMIC,DISC;100nF,+80-20%,50V,Y5V,TP	
.3	C07	2301-000289 C-FILM,PEF;5.6nF,5%,50V,TP,7x6x3,5	
.3	C08	2301-000383 C-FILM,PEF;10nF,5%,50V,TP,6x7x3.2mm,5mm	
.3	C10	2401-000914 C-AL;22uF,20%,16V,GP,TP,5x11,5	
.3	C11	2401-001495 C-AL;47uF,20%,16V,GP,TP,5x11,5	
.3	C12	2201-000119 C-CERAMIC,DISC;100nF,+80-20%,50V,Y5V,TP	
.3	C13	2401-001495 C-AL;47uF,20%,16V,GP,TP,5x11,5	
.3	C14	2201-000119 C-CERAMIC,DISC;100nF,+80-20%,50V,Y5V,TP	
.3	C15	2401-000287 C-AL;100uF,20%,16V,WT,TP,6.3x11,5	
.3	C16	2201-000119 C-CERAMIC,DISC;100nF,+80-20%,50V,Y5V,TP	
.3	D05	0401-000005 DIODE-SWITCHING;1N4148,100V,200mA,DO-35,	
.3	DZ01	0403-000510 DIODE-ZENER;MTZJ6.2B,6.2V,5.96-6.27V,500	
.3	DZ02	0403-000510 DIODE-ZENER;MTZJ6.2B,6.2V,5.96-6.27V,500	
.3	DZ03	0403-000510 DIODE-ZENER;MTZJ6.2B,6.2V,5.96-6.27V,500	
.3	DZ04	0403-000510 DIODE-ZENER;MTZJ6.2B,6.2V,5.96-6.27V,500	
.3	DZ05	0403-000510 DIODE-ZENER;MTZJ6.2B,6.2V,5.96-6.27V,500	
.3	DZ06	0403-000510 DIODE-ZENER;MTZJ6.2B,6.2V,5.96-6.27V,500	
.3	DZ07	0403-000510 DIODE-ZENER;MTZJ6.2B,6.2V,5.96-6.27V,500	
.3	DZ08	0403-000510 DIODE-ZENER;MTZJ6.2B,6.2V,5.96-6.27V,500	
.3	DZ09	0403-000508 DIODE-ZENER;MTZJ5.6B,5.6V,5.45-5.73V,500	
.3	DZ10	0403-000510 DIODE-ZENER;MTZJ6.2B,6.2V,5.96-6.27V,500	
.3	DZ11	0403-000510 DIODE-ZENER;MTZJ6.2B,6.2V,5.96-6.27V,500	
.3	DZ12	0403-000510 DIODE-ZENER;MTZJ6.2B,6.2V,5.96-6.27V,500	
.3	DZ13	0403-000510 DIODE-ZENER;MTZJ6.2B,6.2V,5.96-6.27V,500	
.3	EF01	2901-000297 FILTER-EMI ON BOARD;-3A,-,3.5x5,TP-	
.3	EF02	2901-000297 FILTER-EMI ON BOARD;-3A,-,3.5x5,TP-	
.3	EF03	2901-000297 FILTER-EMI ON BOARD;-3A,-,3.5x5,TP-	
.3	EF04	2901-000297 FILTER-EMI ON BOARD;-3A,-,3.5x5,TP-	
.3	EF05	2901-000297 FILTER-EMI ON BOARD;-3A,-,3.5x5,TP-	
.3	EF06	2901-000297 FILTER-EMI ON BOARD;-3A,-,3.5x5,TP-	
.3	EF07	2901-000297 FILTER-EMI ON BOARD;-3A,-,3.5x5,TP-	
.3	EF08	2901-000297 FILTER-EMI ON BOARD;-3A,-,3.5x5,TP-	
.3	EF09	2901-000297 FILTER-EMI ON BOARD;-3A,-,3.5x5,TP-	
.3	EF10	2901-000297 FILTER-EMI ON BOARD;-3A,-,3.5x5,TP-	
.3	EF11	2901-000297 FILTER-EMI ON BOARD;-3A,-,3.5x5,TP-	
.3	EF12	2901-000297 FILTER-EMI ON BOARD;-3A,-,3.5x5,TP-	
.3	L01	2701-000115 INDUCTOR-AXIAL;10uH,10%,3x7mm	
.3	Q05	0501-000389 TR-SMALL SIGNAL;KSC815,NPN,400mW,TO-92,T	
.3	R13	2001-000812 R-CARBON;5.6KOHM,5%,1/8W,AA,TP,1.8X3.2MM	
.3	R14	2001-000812 R-CARBON;5.6KOHM,5%,1/8W,AA,TP,1.8X3.2MM	
.3	R15	2001-000812 R-CARBON;5.6KOHM,5%,1/8W,AA,TP,1.8X3.2MM	
.3	R16	2001-000812 R-CARBON;5.6KOHM,5%,1/8W,AA,TP,1.8X3.2MM	
.3	R17	2001-000429 R-CARBON;1KOHM,5%,1/8W,AA,TP,1.8X3.2MM	
.3	R18	2001-000429 R-CARBON;1KOHM,5%,1/8W,AA,TP,1.8X3.2MM	
.3	R19	2001-000645 R-CARBON;330KOHM,5%,1/8W,AA,TP,1.8X3.2MM	
.3	R20	2001-000645 R-CARBON;330KOHM,5%,1/8W,AA,TP,1.8X3.2MM	
.3	R21	2001-000645 R-CARBON;330KOHM,5%,1/8W,AA,TP,1.8X3.2MM	
.3	R22	2001-000645 R-CARBON;330KOHM,5%,1/8W,AA,TP,1.8X3.2MM	
.3	R23	2001-000281 R-CARBON;100OHM,5%,1/8W,AA,TP,1.8X3.2MM	
.3	R24	2001-000281 R-CARBON;100OHM,5%,1/8W,AA,TP,1.8X3.2MM	
.3	R25	2001-000290 R-CARBON;1KOHM,5%,1/8W,AA,TP,1.8X3.2MM	
.3	R26	2001-000290 R-CARBON;1KOHM,5%,1/8W,AA,TP,1.8X3.2MM	

Loc. No.	Code No.	Description ; Specification	Remark
.3	R27	2001-000290 R-CARBON;1KOHM,5%,1/8W,AA,TP,1.8X3.2MM	
.3	R30	2001-000429 R-CARBON;1KOHM,5%,1/8W,AA,TP,1.8X3.2MM	
.3	R31	2001-000429 R-CARBON;1KOHM,5%,1/8W,AA,TP,1.8X3.2MM	
.3	R32	2001-000734 R-CARBON;4.7KOHM,5%,1/8W,AA,TP,1.8X3.2M	
.3	R33	2001-000734 R-CARBON;4.7KOHM,5%,1/8W,AA,TP,1.8X3.2M	
.3	R34	2003-002171 R-METAL OXIDE(S);150ohm,5%,2V,AG,TP,3.9x	
.3	R35	2001-000281 R-CARBON;100OHM,5%,1/8W,AA,TP,1.8X3.2MM	
.3	R36	2001-000210 R-CARBON;0ohm,5%,1/8W,AA,TP,1.8X3.2mm	
.3	R37	2001-000302 R-CARBON;100HM,5%,1/8W,AA,TP,1.8X3.2MM	
.3	R38	2001-000302 R-CARBON;100HM,5%,1/8W,AA,TP,1.8X3.2MM	
.3	R40	2001-000605 R-CARBON;3.6KOHM,5%,1/8W,AA,TP,1.8X3.2M	
.3	R41	2001-000429 R-CARBON;1KOHM,5%,1/8W,AA,TP,1.8X3.2MM	
.3	R42	2001-000281 R-CARBON;100OHM,5%,1/8W,AA,TP,1.8X3.2MM	
<b>ASSY PCB POWER</b>			
1	*AA95-00799A	ASSY PCB POWER;PCL545R,P54A,53	
.2	C812	2401-000701 C-AL;2200uF,20%,250V,GP,-,35x70mm,1	
.2	C813	2401-000701 C-AL;2200uF,20%,250V,GP,-,35x70mm,1	
.2	C831	2306-000323 C-FILM,MPPF;2.2nF,5%,1.6KV,TP,28.5x15.5x	
.2	C862	2401-003076 C-AL;3300uF,20%,50V,WP,BK,18x35.5mm	
.2	C865	2401-000737 C-AL;2200uF,20%,50V,GP,TP,18x35.5,7	
.2	C868	2401-000737 C-AL;2200uF,20%,50V,GP,TP,18x35.5,7	
.2	C875	2401-002251 C-AL;470uF,20%,200V,GP,BK,25x40mm,1	
.2	CN802	AA39-00116A LEAD CONNECTOR-ASSY;12P,YBNH250-12,3515	
.2	CN803	AA39-00116A LEAD CONNECTOR-ASSY;12P,YBNH250-12,3515	
△	CX801S	2306-000112 C-FILM,MPPF;100nF,20%,250V,BK,-,15mm	
△	CX802S	2306-000112 C-FILM,MPPF;100nF,20%,250V,BK,-,15mm	
△	CY801S	2201-000987 C-CERAMIC,DISC;2.2nF,20%,400V,Y5U,TP,12.	
△	CY802S	2201-000987 C-CERAMIC,DISC;2.2nF,20%,400V,Y5U,TP,12.	
△	D801S	AA96-50310A ASSY-H/S;-,-,T1.5,-,SBHG-1,-	
.3		AA62-30150C HEAT SINK-ES;-,-,A6063 EXTR,-,WHHT,40(24.5)	
.3		AA60-30003A WASHER;-,-,T1.5,-,SBHG-1,-	
.3		6003-000333 SCREW-TAPTITE;RH,+2S,M3,L10,ZPC(YEL),SW	
.3		0402-000549 DIODE-BRIDGE;RBV606,600V,6A,-,BK	
.3		0205-000129 GREASE-SILICON;SC102,JAPAN	
△	D810	0402-000250 DIODE-RECTIFIER;RG4C,1000V,1A,-	
△	D854	AA96-50153C ASSY-H/S;-,-,AA62-30013D,FLM-G12S,-	
.3		0402-000233 DIODE-RECTIFIER;FML-G12S,200V,5A,-,-	
.3		6003-000333 SCREW-TAPTITE;RH,+2S,M3,L10,ZPC(YEL),SW	
.3		AA62-30013D HEAT SINK-ES;-,-,A6063 EXTR,-,55(21) T02	
△	D855	AA96-50153C ASSY-H/S;-,-,AA62-30013D,FLM-G12S,-	
△	D856	AA96-50153C ASSY-H/S;-,-,AA62-30013D,FLM-G12S,-	
△	D857	AA96-50153C ASSY-H/S;-,-,AA62-30013D,FLM-G12S,-	
△	D858	AA96-50153C ASSY-H/S;-,-,AA62-30013D,FLM-G12S,-	
△	D859	AA96-50153A ASSY-H/S;-,-,TR,AA62-30013D,FMG-26S,-	
.3		0402-000231 DIODE-RECTIFIER;FMG-G26S,600V,4A,TO-220F	
.3		6003-000333 SCREW-TAPTITE;RH,+2S,M3,L10,ZPC(YEL),SW	
.3		AA62-30013D HEAT SINK-ES;-,-,A6063 EXTR,-,55(21) T02	
△	FD802S	3601-000300 FUSE-CARTRIDGE;250V,6.3A,SLOW-BLOW,GLASS	
△	FD804S	3601-000300 FUSE-CARTRIDGE;250V,6.3A,SLOW-BLOW,GLASS	
△	FD855S	3601-000300 FUSE-CARTRIDGE;250V,6.3A,SLOW-BLOW,GLASS	
△	FP801S	3601-000300 FUSE-CARTRIDGE;250V,6.3A,SLOW-BLOW,GLASS	
△	IC801S	AA96-00035A ASSY-H/S;-,-,POWER,AA62-30181P,STR-F6656,	
.3		0205-000129 GREASE-SILICON;SC102,JAPAN	
.3		6003-000333 SCREW-TAPTITE;RH,+2S,M3,L10,ZPC(YEL),SW	
.3		AA13-00018A IC-HYBRID;-,-,STR-F6656,L1351,5PIN,-,-	
.3		AA62-30181P HEAT-SINK-ES;-,-,T1.0,WHITE,SCREW-HOLE[2	
△	IC804	1203-001400 IC-POWER PRESCALER;SE110N,TO-220(SIP),3P	
△	LX801S	AA29-30002L FILTER-LINE NOISE;-,-,10mHMIN,5A,AC90-260V	
△	LX802S	AA29-30002M FILTER-LINE NOISE;-,-,1mHMIN,5A,AC90-260V	
△	LX803S	AA29-30002M FILTER-LINE NOISE;-,-,1mHMIN,5A,AC90-260V	
△	NT801S	1404-001195 THERMISTOR-NTC;5.1ohm,15%,2900,27mW/C,BK	
△	PC801S	0604-001032 PHOTO-COUPLER;TR,170-260V,300mW,DIP-4,ST	
.2	PCB	AA41-00342A PCB-POWER;PCL545R,CEM-1,1L,A,1.6T,330X24	
.2	R817	2009-001096 R-METAL PLATE;0.07ohm,5%,5V,CL,BK,5x14x1	
.2	R841	2008-001096 R-FUSIBLE(S);3.20HM,5%,1/2W,AC,BK,2.5X6	
△	T801S	AA26-00099A TRANS SWITCHING;EER5345,PCL544R,AC220V,1	
.2		0202-000187 SOLDER-WIRE FLUX;-RS60S,D1,2.63Sn/37Pb	



Loc. No.	Code No.	Description ; Specification	Remark
..2	AA99-20081T	ASSY-PCB SUB,AUTO; AA95-00799A _V	S.N.A
...3	C809	2201-000551 C-CERAMIC,DISC;0.47nF,10%,1kV,Y5P,TP,6.3	
...3	C814	2201-002041 C-CERAMIC,DISC;0.82nF,10%,2kV,Y5P,TP,9x5	
...3	C815	2201-000406 C-CERAMIC,DISC;0.27nF,10%,2kV,Y5P,TP,6.3	
...3	C816	2201-000332 C-CERAMIC,DISC;2.2nF,20%,250V,Y5U,TP,9x4	
...3	C817	2201-000332 C-CERAMIC,DISC;2.2nF,20%,250V,Y5U,TP,9x4	
...3	C818	2301-001216 C-FILM,PPF;47nF,5%,630V,TP,20x14.5x22,7.	
...3	C819	2201-000332 C-CERAMIC,DISC;2.2nF,20%,250V,Y5U,TP,9x4	
...3	C833	2201-000292 C-CERAMIC,DISC;1nF,10%,50V,Y5P,TP,5x3.5,	
...3	C834	2401-003028 C-AL;100uF,20%,25V,WT,TP,6.3x11.5	
...3	C851	2201-000551 C-CERAMIC,DISC;0.47nF,10%,1kV,Y5P,TP,6.3	
...3	C852	2401-000133 C-AL;1000uF,20%,16V,GP,TP,10x20,5	
...3	C853	2401-000603 C-AL;1uF,20%,50V,GP,TP,5x11.5	
...3	C854	2201-000551 C-CERAMIC,DISC;0.47nF,10%,1kV,Y5P,TP,6.3	
...3	C855	2401-000703 C-AL;2200uF,20%,25V,GP,-,12.5x25mm,	
...3	C861	2201-000551 C-CERAMIC,DISC;0.47nF,10%,1kV,Y5P,TP,6.3	
...3	C864	2201-000551 C-CERAMIC,DISC;0.47nF,10%,1kV,Y5P,TP,6.3	
...3	C871	2201-000551 C-CERAMIC,DISC;0.47nF,10%,1kV,Y5P,TP,6.3	
...3	C872	2401-000703 C-AL;2200uF,20%,25V,GP,-,12.5x25mm,	
...3	C874	2201-000551 C-CERAMIC,DISC;0.47nF,10%,1kV,Y5P,TP,6.3	
...3	C877	2305-000427 C-FILM,MPEF;47nF,5%,100V,TP,7.5x12.5x3.5	
△	D834	0402-000546 DIODE-RECTIFIER;TVR10G,400V,1.0A,DO-41,T	
△	D843	0402-000546 DIODE-RECTIFIER;TVR10G,400V,1.0A,DO-41,T	
△	D851	0402-000493 DIODE-RECTIFIER;1R5GU41,400V,1.5A,DO-15L	
△	D853	0402-000132 DIODE-RECTIFIER;1N4004,400V,1A,DO-41,TP	
...3	DZ858	0403-001325 DIODE-ZENER;MTZJ15C,14.35-15.09V,500mW,D	
...3	F801A	3602-000114 FUSE-HOLDER;-,-,30mohm	
...3	F801B	3602-000114 FUSE-HOLDER;-,-,30mohm	
...3	F802A	3602-000114 FUSE-HOLDER;-,-,30mohm	
...3	F802B	3602-000114 FUSE-HOLDER;-,-,30mohm	
...3	F804A	3602-000114 FUSE-HOLDER;-,-,30mohm	
...3	F804B	3602-000114 FUSE-HOLDER;-,-,30mohm	
...3	F855A	3602-000114 FUSE-HOLDER;-,-,30mohm	
...3	F855B	3602-000114 FUSE-HOLDER;-,-,30mohm	
△	FD805S	3601-001086 FUSE-AXIAL LEAD;125V,5A,FAST-ACTING,GLAS	
△	FD806S	3601-001086 FUSE-AXIAL LEAD;125V,3.5A,FAST-ACTING,CE	
△	FD854S	3601-001086 FUSE-AXIAL LEAD;125V,5A,FAST-ACTING,GLAS	
△	FD871S	3601-001086 FUSE-AXIAL LEAD;125V,5A,FAST-ACTING,GLAS	
...3	L806	2901-000297 FILTER-EMI ON BOARD;-,-,3A,-,-,3.5x5,TP,-	
...3	L807	2901-000297 FILTER-EMI ON BOARD;-,-,3A,-,-,3.5x5,TP,-	
...3	L808	3301-000287 CORE-FERRITE BEAD;AA,3.5x1.0x6.0mm,1500,	
...3	L810	2901-000297 FILTER-EMI ON BOARD;-,-,3A,-,-,3.5x5,TP,-	
...3	L811	2901-000297 FILTER-EMI ON BOARD;-,-,3A,-,-,3.5x5,TP,-	
...3	L812	2901-000297 FILTER-EMI ON BOARD;-,-,3A,-,-,3.5x5,TP,-	
...3	L813	2901-000297 FILTER-EMI ON BOARD;-,-,3A,-,-,3.5x5,TP,-	
...3	L814	3301-000287 CORE-FERRITE BEAD;AA,3.5x1.0x6.0mm,1500,	
...3	L815	2901-000297 FILTER-EMI ON BOARD;-,-,3A,-,-,3.5x5,TP,-	
...3	L816	2901-000297 FILTER-EMI ON BOARD;-,-,3A,-,-,3.5x5,TP,-	
...3	L831	3301-000287 CORE-FERRITE BEAD;AA,3.5x1.0x6.0mm,1500,	
...3	L832	3301-000287 CORE-FERRITE BEAD;AA,3.5x1.0x6.0mm,1500,	
...3	L851	2901-000297 FILTER-EMI ON BOARD;-,-,3A,-,-,3.5x5,TP,-	
...3	L857	2901-000297 FILTER-EMI ON BOARD;-,-,3A,-,-,3.5x5,TP,-	
...3	L859	2901-000297 FILTER-EMI ON BOARD;-,-,3A,-,-,3.5x5,TP,-	
...3	Q801	0501-000389 TR-SMALL SIGNAL;KSC815,NPN,400mW,TO-92,T	
...3	R808	2001-000085 R-CARBON(S);100KOHM,5%,1/2W,AA,TP,2.4X6.	
...3	R808A	2001-000085 R-CARBON(S);100KOHM,5%,1/2W,AA,TP,2.4X6.	
...3	R812	2003-002170 R-METAL OXIDE(S);15Kohm,5%,2W,AG,TP,3.9x	
...3	R814	2003-002170 R-METAL OXIDE(S);15Kohm,5%,2W,AG,TP,3.9x	
...3	R815	2003-000512 R-METAL OXIDE(S);15Kohm,5%,3W,AA,TP,6x16	
...3	R815A	2003-000512 R-METAL OXIDE(S);15Kohm,5%,3W,AA,TP,6x16	
...3	R832	2001-001178 R-CARBON(S);680OHM,5%,1/2W,AA,TP,2.4X6.4	
...3	R834	2001-001097 R-CARBON(S);2.4KOHM,5%,1/2W,AA,TP,2.4X6.	
...3	R837	2001-001097 R-CARBON(S);2.4KOHM,5%,1/2W,AA,TP,2.4X6.	
...3	R838	2001-001097 R-CARBON(S);2.4KOHM,5%,1/2W,AA,TP,2.4X6.	
...3	R855	2001-001196 R-CARBON(S);9.1KOHM,5%,1/2W,AA,TP,2.4X6.	
...3	R871	2001-001088 R-CARBON(S);1KOHM,5%,1/2W,AA,TP,2.4X6.4M	
...3	R872	2001-000066 R-CARBON(S);10KOHM,5%,1/2W,AA,TP,2.4X6.4	
...3	R873	2004-004366 R-METAL(S);1.3Kohm,1%,1/2W,AA,TP,2.5x6.5	
...3	R874	2001-000734 R-CARBON;4.7KOHM,5%,1/8W,AA,TP,1.8X3.2M	
...3	R875	2004-004366 R-METAL(S);1.3Kohm,1%,1/2W,AA,TP,2.5x6.5	
△	RP801S	2002-001010 R-COMPOSITION;1.8Mohm,5%,1/2W,AA,TP,3.7x	
△	RX801S	2002-001011 R-COMPOSITION;3.3Mohm,5%,1/2W,AA,TP,3.7x	
△	RY801S	2002-001013 R-COMPOSITION;4.7Mohm,5%,1/2W,AA,TP,3.7x	
△	VP801S	1405-000152 VARISTOR;560V,2500A,14x8.5mm,TP	
△	VX801S	1405-000187 VARISTOR;750V,1250A,12.5x7mm,TP	

Loc. No.	Code No.	Description ; Specification	Remark
		<b>ASSY-PCB,TERMINAL</b>	
1	*AA95-00716A	ASSY-PCB,TERMINAL;PCL545R,P54A	
..2	CNT01	3711-003630 CONNECTOR-HEADER;BOX,32P2R,2.54mm,ANGLE	
..2	CNT02	3711-003630 CONNECTOR-HEADER;BOX,32P2R,2.54mm,ANGLE	
..2	CNY01	3711-003601 CONNECTOR-HEADER;BOX,12P1R,2.5mm,ANGLE,	
..2	IC703	0904-001121 IC-I/O SUPPORT CHIP;8574,8BIT,DIP,16P,30	
..2	IC705	0801-000213 IC-CMOS LOGIC;4052,MULTIPLEXER,DIP,16P,3	
..2	ICD01	1204-001510 IC-SEPARATOR;EL4583CN,DIP,16P,-,PLASTIC,	
..2	ICD02	0801-000284 IC-CMOS LOGIC;4528,MULTIVIBRATOR,DIP,16P	
..2	ICD03	1204-001510 IC-SEPARATOR;EL4583CN,DIP,16P,-,PLASTIC,	
..2	JKV02	3722-001039 JACK-RCA;9P,3.4mm,SN,BLK,#16-22	
..2	JKV03	3722-001382 JACK-RCA;5P(9P),3.4MM,NI,R/W/G/BLUE,-	
..2	JKV04	3722-001382 JACK-RCA;5P(9P),3.4MM,NI,R/W/G/BLUE,-	
..2	JKV08	3722-000544 JACK-VHS;4P,11.5mm,AG,BLK,N	
..2	RD18	2001-000954 R-CARBON;750KOHM,5%,1/8W,AA,TP,1.8X3.2M	
..2		0202-001167 SOLDER-CREAM;RX3603-2330HO,S45A,PASTE,SN	
..2		0202-000187 SOLDER-WIRE FLUX;-RS60S,D1.2.63Sn/37Pb	
..2		AA99-20091R ASSY-PCB SUB,AUTO; AA95-00716A _V	S.N.A
..2	C701	2401-002009 C-AL;100uF,20%,16V,GP,TP,6.3x7.5	
...3	C702	2203-000181 C-CERAMIC,CHIP;100nF,+80-20%,25V,Y5V,TP,	
...3	C704	2203-000815 C-CERAMIC,CHIP;0.033nF,5%,50V,NPO,TP,160	
...3	C705	2203-000815 C-CERAMIC,CHIP;0.033nF,5%,50V,NPO,TP,160	
...3	C706	2203-000975 C-CERAMIC,CHIP;47nF,10%,25V,X7R,TP,1608,	
...3	C707	2203-000975 C-CERAMIC,CHIP;47nF,10%,25V,X7R,TP,1608,	
...3	C708	2203-000975 C-CERAMIC,CHIP;47nF,10%,25V,X7R,TP,1608,	
...3	C709	2203-000975 C-CERAMIC,CHIP;47nF,10%,25V,X7R,TP,1608,	
...3	C710	2203-000975 C-CERAMIC,CHIP;47nF,10%,25V,X7R,TP,1608,	
...3	C711	2203-000975 C-CERAMIC,CHIP;47nF,10%,25V,X7R,TP,1608,	
...3	C712	2203-000181 C-CERAMIC,CHIP;100nF,+80-20%,25V,Y5V,TP,	
...3	C713	2203-000975 C-CERAMIC,CHIP;47nF,10%,25V,X7R,TP,1608,	
...3	C714	2203-000975 C-CERAMIC,CHIP;47nF,10%,25V,X7R,TP,1608,	
...3	C715	2203-000975 C-CERAMIC,CHIP;47nF,10%,25V,X7R,TP,1608,	
...3	C716	2401-002009 C-AL;100uF,20%,16V,GP,TP,6.3x7.5	
...3	C717	2203-000181 C-CERAMIC,CHIP;100nF,+80-20%,25V,Y5V,TP,	
...3	C718	2203-000975 C-CERAMIC,CHIP;47nF,10%,25V,X7R,TP,1608,	
...3	C719	2203-000975 C-CERAMIC,CHIP;47nF,10%,25V,X7R,TP,1608,	
...3	C720	2203-000975 C-CERAMIC,CHIP;47nF,10%,25V,X7R,TP,1608,	
...3	C721	2203-000975 C-CERAMIC,CHIP;47nF,10%,25V,X7R,TP,1608,	
...3	C722	2203-000975 C-CERAMIC,CHIP;47nF,10%,25V,X7R,TP,1608,	
...3	C723	2203-000181 C-CERAMIC,CHIP;100nF,+80-20%,25V,Y5V,TP,	
...3	C724	2203-000975 C-CERAMIC,CHIP;47nF,10%,25V,X7R,TP,1608,	
...3	C727	2203-000975 C-CERAMIC,CHIP;47nF,10%,25V,X7R,TP,1608,	
...3	C730	2401-002299 C-AL;4.7uF,20%,50V,GP,TP,5x7.5	
...3	C731	2401-002299 C-AL;4.7uF,20%,50V,GP,TP,5x7.5	
...3	C732	2203-000440 C-CERAMIC,CHIP;1nF,10%,50V,X7R,TP,1608,-	
...3	C733	2203-000440 C-CERAMIC,CHIP;1nF,10%,50V,X7R,TP,1608,-	
...3	C734	2203-000440 C-CERAMIC,CHIP;1nF,10%,50V,X7R,TP,1608,-	
...3	C735	2203-000440 C-CERAMIC,CHIP;1nF,10%,50V,X7R,TP,1608,-	
...3	C736	2203-000440 C-CERAMIC,CHIP;1nF,10%,50V,X7R,TP,1608,-	
...3	C737	2203-000440 C-CERAMIC,CHIP;1nF,10%,50V,X7R,TP,1608,-	
...3	C738	2401-002009 C-AL;100uF,20%,16V,GP,TP,6.3x7.5	
...3	C739	2203-000181 C-CERAMIC,CHIP;100nF,+80-20%,25V,Y5V,TP,	
...3	C740	2401-002009 C-AL;100uF,20%,16V,GP,TP,6.3x7.5	
...3	C741	2203-000181 C-CERAMIC,CHIP;100nF,+80-20%,25V,Y5V,TP,	
...3	C760	2401-000667 C-AL;2.2uF,20%,50V,WT,TP,5x11.5	
...3	C761	2401-000667 C-AL;2.2uF,20%,50V,WT,TP,5x11.5	
...3	C762	2401-000667 C-AL;2.2uF,20%,50V,WT,TP,5x11.5	
...3	C763	2401-000667 C-AL;2.2uF,20%,50V,WT,TP,5x11.5	
...3	C764	2401-000667 C-AL;2.2uF,20%,50V,WT,TP,5x11.5	
...3	C765	2401-000667 C-AL;2.2uF,20%,50V,WT,TP,5x11.5	
...3	C766	2401-000667 C-AL;2.2uF,20%,50V,WT,TP,5x11.5	
...3	C767	2401-000667 C-AL;2.2uF,20%,50V,WT,TP,5x11.5	
...3	C768	2203-000975 C-CERAMIC,CHIP;47nF,10%,25V,X7R,TP,1608,	
...3	C769	2203-000975 C-CERAMIC,CHIP;47nF,10%,25V,X7R,TP,1608,	
...3	C780	2401-002009 C-AL;100uF,20%,16V,GP,TP,6.3x7.5	
...3	CD01	2401-002183 C-AL;2200uF,20%,16V,GP,TP,8x9.5mm	
...3	CD02	2203-000181 C-CERAMIC,CHIP;100nF,+80-20%,25V,Y5V,TP,	
...3	CD03	2401-000471 C-AL;10uF,20%,50V,BP,TP,5x11.5mm	
...3	CD04	2203-000181 C-CERAMIC,CHIP;100nF,+80-20%,25V,Y5V,TP,	
...3	CD05	2203-000681 C-CERAMIC,CHIP;0.027nF,5%,50V,NPO,TP,160	
...3	CD06	2401-000471 C-AL;10uF,20%,50V,BP,TP,5x11.5mm	
...3	CD07	2203-000181 C-CERAMIC,CHIP;100nF,+80-20%,25V,Y5V,TP,	
...3	CD08	2203-000181 C-CERAMIC,CHIP;100nF,+80-20%,25V,Y5V,TP,	
...3	CD09	2203-000440 C-CERAMIC,CHIP;1nF,10%,50V,X7R,TP,1608,-	



Loc. No.	Code No.	Description ; Specification	Remark
...	6003-000333	SCREW-TAPTITE;RH,+2S,M3,L10,ZPC(YEL),SW	
...	AA62-30013E	HEAT-SINK,ES,-,A6063 EXTR,-,30(21) T02	
..2	RZ120	R-FUSIBLE(S);330HM,5%,1/2W,AC,BK,2.5X6.5	
..2	0202-000187	SOLDER-WIRE FLUX,-,RS60S,D1.2,63Sn/37Pb	
..2	AA99-20080N	ASSY-PCB SUB,AUTO; AA95-00714A ,V	S.N.A
...3	CNZ102	CONNECTOR-HEADER;BOX,3P,1R,2.5MM,STRAIGH	
...3	CNZ103	CONNECTOR-HEADER;BOX,3P,1R,2.5MM,STRAIGH	
...3	CNZ104	CONNECTOR-HEADER;BOX,3P,1R,2.5MM,STRAIGH	
...3	CZ101	C-AL;47uF,20%,16V,GP,TP,5x11.5	
...3	CZ102	C-AL;33uF,20%,160V,GP,TP,12.5x20.5	
...3	CZ103	C-CERAMIC,DISC;4.7nF,+100-0%,500V,Y5U,TP	
...3	CZ104	C-CERAMIC,DISC;0.01nF,0.25pF,50V,NP0,TP	
...3	CZ105	C-CERAMIC,DISC;4.7nF,+100-0%,500V,Y5U,TP	
...3	CZ106	C-CERAMIC,DISC;0.01nF,0.25pF,50V,NP0,TP	
...3	CZ107	C-AL;47uF,20%,16V,WT,TP,5x11.5	
...3	CZ108	C-AL;4.7uF,20%,160V,GP,TP,8x11.5,5	
...3	CZ109	C-AL;4.7uF,20%,160V,GP,TP,8x11.5,5	
...3	CZ110	C-CERAMIC,DISC;0.056nF,+100-0%,500V,SL,T	
...3	CZ111	C-AL;10uF,20%,50V,GP,TP,5x11.5	
...3	CZ112	C-AL;220uF,20%,25V,GP,TP,8x11.5,5	
...3	DZ101	DIODE-RECTIFIER;TVR10G,400V,1.0A,DO-41,T	
...3	DZ102	DIODE-SWITCHING;1N4148,100V,200mA,DO-35,	
...3	DZ103	DIODE-RECTIFIER;TVR10G,400V,1.0A,DO-41,T	
...3	DZ104	DIODE-RECTIFIER;TVR10G,400V,1.0A,DO-41,T	
...3	DZ105	DIODE-SWITCHING;1N4148,100V,200mA,DO-35,	
...3	DZ106	DIODE-SWITCHING;1N4148,100V,200mA,DO-35,	
...3	LZ101	INDUCTOR-AXIAL;100uH,10%,4.2x9.8mm	
...3	QZ103	TR-SMALL SIGNAL;KSA539,PNP,400mW,TO-92,T	
...3	QZ104	TR-SMALL SIGNAL;KSC815,NPN,400mW,TO-92,T	
...3	QZ105	TR-SMALL SIGNAL;KSC815,NPN,400mW,TO-92,T	
...3	QZ106	TR-SMALL SIGNAL;KSC815,NPN,400mW,TO-92,T	
...3	RFZ101	R-FUSIBLE(S);3.3ohm,5%,2W,AG,TP,3.9x12mm	
...3	RZ101	R-CARBON;1.5KOHM,5%,1/8W,AA,TP,1.8X3.2M	
...3	RZ102	R-CARBON;1.2KOHM,5%,1/8W,AA,TP,1.8X3.2M	
...3	RZ103	R-METAL OXIDE(S);47ohm,5%,2W,AF,TP,4x12m	
...3	RZ104	R-CARBON(S);2.7OHM,5%,1/2W,AA,TP,2.4X6.4	
...3	RZ105	R-CARBON(S);39KOHM,5%,1/2W,AA,TP,2.4X6.4	
...3	RZ106	R-CARBON(S);39KOHM,5%,1/2W,AA,TP,2.4X6.4	
...3	RZ107	R-CARBON;12KOHM,5%,1/8W,AA,TP,1.8X3.2MM	
...3	RZ108	R-CARBON;1.5KOHM,5%,1/8W,AA,TP,1.8X3.2M	
...3	RZ109	R-CARBON;1.2KOHM,5%,1/8W,AA,TP,1.8X3.2M	
...3	RZ110	R-CARBON(S);2.7OHM,5%,1/2W,AA,TP,2.4X6.4	
...3	RZ111	R-METAL OXIDE(S);47ohm,5%,2W,AF,TP,4x12m	
...3	RZ112	R-METAL OXIDE;220OHM,5%,2W,AG,TP,6X16MM	
...3	RZ113	R-METAL OXIDE;220OHM,5%,2W,AG,TP,6X16MM	
...3	RZ114	R-METAL OXIDE(S);18ohm,5%,2W,AF,TP,4x12m	
...3	RZ115	R-CARBON;510OHM,5%,1/8W,AA,TP,1.8X3.2MM	
...3	RZ116	R-CARBON;12KOHM,5%,1/8W,AA,TP,1.8X3.2MM	
...3	RZ117	R-CARBON;1.8KOHM,5%,1/8W,AA,TP,1.8X3.2M	
...3	RZ118	R-CARBON;1.8KOHM,5%,1/8W,AA,TP,1.8X3.2M	
...3	RZ119	R-CARBON;270OHM,5%,1/8W,AA,TP,1.8X3.2MM	
...3	RZ121	R-CARBON;330OHM,5%,1/8W,AA,TP,1.8X3.2MM	
...3	RZ122	R-CARBON(S);100HM,5%,1/2W,AA,TP,2.4X6.4M	
...3	RZ123	R-METAL OXIDE;220OHM,5%,2W,AG,TP,6X16MM	
..2	3301-011201	CORE-FERRITE;AE,21x11x32mm,1500,280G	
..2	6003-001023	SCREW-TAPTITE;RWH,+ ,B,M3,L10,ZPC(YEL),SW	
..2	AA33-00008A	MAGNET CONVERGENCE;JH92LTU-36A,7inchPRT,	

**ASSY-PCB,SUB**

1	*AA95-00705A	ASSY-PCB,SUB;PCL545R,P54A	
..2	C432	C-FILM,MPPF;8.2nF,5%,1.6KV,TP,28.5x18.5x	
..2	C438	C-FILM,MPPF;8.2nF,5%,1.6KV,TP,28.5x18.5x	
..2	C445	C-AL;6.8uF,20%,50V,BP,TP,16x25mm,7.	
..2	C481	C-AL;10uF,20%,16V,GP,TP,5x11mm,5mm	
..2	C491	C-FILM,MPPF;12nF,5%,1.6KV,TP,29x20.5x13,	
..2	C876	C-AL;220uF,20%,160V,GP,TP,16x31.5mm	
..2	CN202	AA39-00116A LEAD CONNECTOR-ASSY;,12P,YBNH250-12,3515	
..2	CN801	AA39-00180A LEAD CONNECTOR ASSY;,14P,YBNH250-14,3515	
..2	CN802	3711-003974 CONNECTOR-HEADER;BOX,12P,1R,2.5mm,STRAIG	
..2	CN803	3711-003974 CONNECTOR-HEADER;BOX,12P,1R,2.5mm,STRAIG	
..2	CNW801	AA39-20061G LEAD CONNECTOR-ASSY;,3P,YFH800-03,S,100M	
..2	CN202	AA39-00115A LEAD CONNECTOR-ASSY;,10P,YBNH250-10,3515	
△	CR430S	2301-001343 C-FILM,MPPF;3.9nF,5%,2kV,TP,29x9.5x16mm,	

Loc. No.	Code No.	Description ; Specification	Remark
△	..2	CR431S	2301-001343 C-FILM,MPPF;3.9nF,5%,2kV,TP,29x9.5x16mm,
△	..2	CR436S	2306-000235 C-FILM,MPPF;560nF,5%,400V,TP,26*22.5*14,
△	..2	CR471S	2301-001091 C-FILM,MPPF;470nF,5%,400V,TP,26x21.5x14.
△	..2	CR473S	2306-000322 C-FILM,MPPF;12nF,5%,1.6KV,TP,29x20.5x13,
△	..2	CR474S	2306-000326 C-FILM,MPPF;4.7nF,5%,1.6KV,TP,28.5x16x9m
..2	CS803	2401-003370 C-AL;47uF,20%,450V,GP,BK,16X35.5,7.	
△	..2	CY811S	2201-000446 C-CERAMIC,DISC;3.3nF,20%,400V,Y5U,TP,15x
△	..2	CY812S	2201-000446 C-CERAMIC,DISC;3.3nF,20%,400V,Y5U,TP,15x
..2	D464	0402-000236 DIODE-RECTIFIER;GI824,400V,5A,-,TP	
△	..2	D811S	0402-000102 DIODE-BRIDGE;D2SB60,600V,1.5A,-
..2	IC301	AA96-50406A ASSY-H/S;- ,AA62-30180K,LA7845,-	
..3	0205-000129	GREASE-SILICON;SC102,JAPAN	
..3	1204-000517	IC-VERTICAL DEF;LA7845,SIP,7P,-,PLASTIC	
..3	6003-000333	SCREW-TAPTITE;RH,+2S,M3,L10,ZPC(YEL),SW	
..3	AA62-30180K	HEAT SINK-ES,-,A6063 EXTR,-,WHT,50/13,-	
△	..2	IC421	1203-000165 IC-POSTADJUST REG.;78R12,TO-220,3P,-
△	..2	IC430	1203-000162 IC-POSTADJUST REG.;317,TO-220,3P,-,PLAS
△	..2	IC431	1201-000191 IC-OP AMP;4558,DIP8P,300MIL,DUAL,20V/mV
△	..2	IC471	1203-000610 IC-PWM CONTROLLER;494,DIP,16P,300MIL,PLA
..2	ICS801	AA13-00024A IC-HYBRID;- ,TNY253P,-,8PIN,-	
..2	ICS807	AA96-00111P ASSY H/S;- ,MAIN,AA62-30013L,KA278RA05,F	
..3	1203-001978	IC-VOLTAGE REGULATOR;KA278RA05,TO-220F,4	
..3	6003-000333	SCREW-TAPTITE;RH,+2S,M3,L10,ZPC(YEL),SW	
..3	AA62-30013L	HEATSINK-ES;- ,44/22,-,WHT,-,-	
..2	ICZ103	AA96-00034A ASSY-H/S;- ,CONVERGENCE,AA62-30173D,STK3	
..3	0205-000129	GREASE-SILICON;SC102,JAPAN	
..3	1201-001225	IC-VIDEO AMP;392,SIP,22P,-,TRIPLE,-,PLAS	
..3	6003-001021	SCREW-TAPTITE;RH,+B,M3,L15,ZPC(YEL),SWR	
..3	AA62-30173D	HEAT SINK-ES;- ,T1.0,WHITE,SCREW-HOLE(2	
..2	ICZ104	AA96-00034A ASSY-H/S;- ,CONVERGENCE,AA62-30173D,STK3	
..2	L432	AA27-00095A COIL HORIZ. WIDTH;- ,600uH,YL9N 15x27.5 C	
..2	L434	AA27-00174A COILHORIZ.WIDTH;600UH,600UH,SB-5SOS6X20,	
..2	L435	AA27-10001C COIL-CHOKE;- ,100uH,K,-,5.0A,ST,700UH-KIR	
..2	L482	3301-000374 CORE-FERRITE BEAD;AA,3.5x1.0x9.0mm,-	
..2	L494	3301-000374 CORE-FERRITE BEAD;AA,3.5x1.0x9.0mm,-	
..2	L854	AA27-10001C COIL-CHOKE;- ,100uH,K,-,5.0A,ST,700UH-KIR	
..2	L860	AA27-10001C COIL-CHOKE;- ,100uH,K,-,5.0A,ST,700UH-KIR	
..2	L862	AA27-10001C COIL-CHOKE;- ,100uH,K,-,5.0A,ST,700UH-KIR	
..2	L872	AA27-10001C COIL-CHOKE;- ,100uH,K,-,5.0A,ST,700UH-KIR	
..2	L874	AA27-10002L COIL-CHOKE;- ,24UH,K,-,2A,-,24UH-K,10X10M	
△	..2	LC431S	AA27-30003M COIL-LINEARLITY;- ,5uH,OWA14x15,USRC0.1x6
△	..2	PC811S	0604-001032 PHOTO-COUPLER;TR,170-260%,300mW,DIP-4,ST
..2	PCB	AA41-00340B PCB-SUB;PCL545R,CHEM-1,1L,B,1.6T,330X24	
..2	Q353	0502-000442 TR-POWER;2SC4636RB,NPN,2W,TO-220,ST,10-	
..2	Q431	AA96-00033E ASSY H/S;- ,H-OUT,AA62-30173C,2SC5446, F	
..3	AA02-00007A	MICA;DPM-04,MICA,22x29x0.15mm	
..3	AA62-30173C	HEAT SINK-ES;- ,T1.0,WHITE,SCREW-HOLE(2	
..3	AA60-30001A	WASHER-PLATE;M3,Ø3.5,15X8.5,T1.0,-,SBHG	
..3	6003-000333	SCREW-TAPTITE;RH,+2S,M3,L10,ZPC(YEL),SW	
..3	0502-001175	TR-POWER;2SC5446,NPN,200000mW,TO-3PL,BK	
..3	0402-001296	DIODE-RECTIFIER;FMP-3FU,1.5KV,5A,TO-3PF,	
..3	0205-000129	GREASE-SILICON;SC102,JAPAN	
..2	Q433	AA96-50407A ASSY-H/S;- ,AA62-30154G,KSD73Y,-	
..3	0205-000129	GREASE-SILICON;SC102,JAPAN	
..3	0502-000298	TR-POWER;KSD73,NPN,30000mW,TO-220,TP,12	
..3	6003-000333	SCREW-TAPTITE;RH,+2S,M3,L10,ZPC(YEL),SW	
..3	AA62-30154G	HEAT SINK-ES;- ,A6063 EXTR,-,WHT,50/16,-	
..2	Q441	AA96-50383F ASSY-H/S;- ,AA62-30180D,2SD921,-	
..3	0205-000129	GREASE-SILICON;SC102,JAPAN	
..3	0502-001104	TR-POWER;2SD921,NPN,80W,TO-3PBK,700-	
..3	6003-000333	SCREW-TAPTITE;RH,+2S,M3,L10,ZPC(YEL),SW	
..3	AA62-30180D	HEAT SINK-ES;- ,A6063 EXTR,-,2,WHT,50mm,-	
..2	Q473	AA96-00037A ASSY-H/S;- ,AA62-30181N,2SC4125,IRFS6	
..3	0502-001100	TR-POWER;2SC4125,NPN,70W,TO-3PML,BK,8-	
..3	AA62-30181N	HEAT-SINK,ES;- ,T1.0,WHITE,SCREW-HOLE(2	
..3	AA60-30001A	WASHER-PLATE;M3,Ø3.5,15X8.5,T1.0,-,SBHG	
..3	6003-000333	SCREW-TAPTITE;RH,+2S,M3,L10,ZPC(YEL),SW	
..3	0505-001202	FET-SILICON;IRF5640A,N,200V,9.8A,0.18ohm	
..3	0205-000129	GREASE-SILICON;SC102,JAPAN	
△	..2	RL811S	3501-001053 RELAY-POWER;5Vdc,530mW,10A,1FormA,15mS,5
△	..2	RL812S	3501-001040 RELAY-POWER;12VDC,500mW,10A,1FormA,15mS,
△	..2	T431	AA26-50001U TRANS-HORIZ.DRIVE;- ,28mH,105uH,4uH,ER28x
△	..2	T432	AA26-00012A TRANS-DUMMY;- ,1.3MH,EE8445,110V/7.6V/21
△	..2	T433	AA26-00011A TRANS-DUMMY;- ,3.5MH,EE2834,-,BK
△	..2	T444S	AA26-00100A TRANS FBT;FFA97513L,CT29A7DR,0.3mH,-
△	..2	T461	AA26-50001V TRANS-HORIZ.DRIVE;- ,6.0mH,113uH,4uH,EI19
△	..2	T481	AA26-00091A TRANS-HV-STORAGE;4mH,-,14P,830uH,180V,10

Electrical Parts List

Loc. No.	Code No.	Description ; Specification	Remark	Loc. No.	Code No.	Description ; Specification	Remark	
△ .2	TS811S	AA26-00055B	TRANS SWITCHING; HLK436W,AC80V,AC80-280V	...	CZ109	2201-000499	C-CERAMIC,DISC;0.39nF,5%,50V,SL,TP,8.5x3	
.2		AA65-30104B	CLAMP-WIRE;NYLON 66,V2,BLK,W2 Z5,ALL MOD	...	CZ110	2201-000499	C-CERAMIC,DISC;0.39nF,5%,50V,SL,TP,8.5x3	
.2		0202-000187	SOLDER-WIRE FLUX;-RS60S,D1.2.63Sn/37Pb	...	CZ111	2201-000976	C-CERAMIC,DISC;0.022nF,5%,50V,NPO,TP,5x3	
.2		AA99-20081X	ASSY-PCB SUB,AUTO; AA95-00705A ,V	S.N.A	...	CZ112	2201-000863	C-CERAMIC,DISC;0.68nF,10%,50V,Y5P,TP,5x3
...	C301	2305-000427	C-FILM,MPEF;47nF,5%,100V,TP,7.5x12.5x3.5	...	CZ113	2201-000976	C-CERAMIC,DISC;0.022nF,5%,50V,NPO,TP,5x3	
...	C302	2201-000292	C-CERAMIC,DISC;1nF,10%,50V,Y5P,TP,5x3.5	...	CZ114	2201-000863	C-CERAMIC,DISC;0.68nF,10%,50V,Y5P,TP,5x3	
...	C303	2305-000427	C-FILM,MPEF;47nF,5%,100V,TP,7.5x12.5x3.5	...	CZ115	2201-000976	C-CERAMIC,DISC;0.022nF,5%,50V,NPO,TP,5x3	
...	C304	2201-000292	C-CERAMIC,DISC;1nF,10%,50V,Y5P,TP,5x3.5	...	CZ116	2201-000863	C-CERAMIC,DISC;0.68nF,10%,50V,Y5P,TP,5x3	
...	C305	2201-000202	C-CERAMIC,DISC;0.005nF,0.25pF,500V,NPO,T	...	CZ117	2201-000327	C-CERAMIC,DISC;2.2nF,10%,50V,Y5V,TP,6.5x	
...	C307	2401-000365	C-AL;100uF,20%,50V,WT,TP,10x12.5mm,	...	CZ118	2201-000327	C-CERAMIC,DISC;2.2nF,10%,50V,Y5V,TP,6.5x	
...	C308	2401-000365	C-AL;100uF,20%,50V,WT,TP,10x12.5mm,	...	CZ126	2201-000499	C-CERAMIC,DISC;0.39nF,5%,50V,SL,TP,8.5x3	
...	C309	2305-000285	C-FILM,MPEF;220nF,5%,100V,TP,10.5X5.5X15	...	CZ127	2201-000499	C-CERAMIC,DISC;0.39nF,5%,50V,SL,TP,8.5x3	
...	C311	2305-000149	C-FILM,MPEF;100nF,5%,100V,TP,12x12.5x6.5	...	CZ128	2201-000499	C-CERAMIC,DISC;0.39nF,5%,50V,SL,TP,8.5x3	
...	C351	2401-000471	C-AL;10uF,20%,50V,BP,TP,5x11.5mm	...	CZ132	2201-000976	C-CERAMIC,DISC;0.022nF,5%,50V,NPO,TP,5x3	
...	C352	2401-001989	C-AL;4.7uF,20%,50V,BP,TP,5x11.5	...	CZ133	2201-000863	C-CERAMIC,DISC;0.68nF,10%,50V,Y5P,TP,5x3	
...	C353	2401-000480	C-AL;10uF,20%,50V,GP,TP,5x11.5	...	CZ134	2201-000976	C-CERAMIC,DISC;0.022nF,5%,50V,NPO,TP,5x3	
...	C354	2401-002300	C-AL;47uF,20%,50V,GP,TP,6.3x11.5	...	CZ135	2201-000863	C-CERAMIC,DISC;0.68nF,10%,50V,Y5P,TP,5x3	
...	C355	2201-000991	C-CERAMIC,DISC;0.56nF,10%,2kV,Y5P,TP,7.5	...	CZ136	2201-000976	C-CERAMIC,DISC;0.022nF,5%,50V,NPO,TP,5x3	
...	C405	2201-000558	C-CERAMIC,DISC;0.47nF,10%,50V,Y5P,TP,5x3	...	CZ137	2201-000863	C-CERAMIC,DISC;0.68nF,10%,50V,Y5P,TP,5x3	
...	C406	2201-000370	C-CERAMIC,DISC;0.22nF,10%,50V,Y5V,TP,4x3	...	CZ138	2201-000327	C-CERAMIC,DISC;2.2nF,10%,50V,Y5V,TP,6.5x	
...	C412	2301-000383	C-FILM,PEF;10nF,5%,50V,TP,6x7x3.2mm,5mm	...	CZ139	2201-000327	C-CERAMIC,DISC;2.2nF,10%,50V,Y5V,TP,6.5x	
...	C413	2401-000360	C-AL;100uF,20%,50V,GP,TP,8x11.5,5	...	CZ151	2202-000796	C-CERAMIC,MLC-AXIAL;1nF,10%,50V,Y5P,TP,3	
...	C417	2401-001397	C-AL;470uF,20%,25V,GP,TP,10x16,5	...	CZ152	2202-000796	C-CERAMIC,MLC-AXIAL;1nF,10%,50V,Y5P,TP,3	
...	C418	2401-000360	C-AL;100uF,20%,50V,GP,TP,8x11.5,5	...	CZ153	2202-000796	C-CERAMIC,MLC-AXIAL;1nF,10%,50V,Y5P,TP,3	
...	C419	2201-000180	C-CERAMIC,DISC;10nF,10%,50V,Y5V,TP,7x3,5	...	CZ154	2202-000796	C-CERAMIC,MLC-AXIAL;1nF,10%,50V,Y5P,TP,3	
...	C426	2401-000360	C-AL;100uF,20%,50V,GP,TP,8x11.5,5	...	CZ155	2202-000796	C-CERAMIC,MLC-AXIAL;1nF,10%,50V,Y5P,TP,3	
...	C427	2401-002300	C-AL;47uF,20%,50V,GP,TP,6.3x11.5	...	CZ156	2202-000796	C-CERAMIC,MLC-AXIAL;1nF,10%,50V,Y5P,TP,3	
...	C428	2306-000122	C-FILM,MPPF;100nF,5%,50V,TP,7.3x4.0x5.0m	...	D302	0402-000546	DIODE-RECTIFIER;TVR10G,400V,1.0A,DO-41,T	
...	C429	2305-000704	C-FILM,MPEF;100nF,5%,250V,TP,16.5x10.3x5	...	D353	0401-000005	DIODE-SWITCHING;1N4148,100V,200mA,DO-35,	
...	C437	2401-003114	C-AL;4.7uF,20%,250V,WT,TP,10x16,5	...	D384	0402-000132	DIODE-RECTIFIER;1N4004,400V,1A,DO-41,TP	
...	C450	2401-000262	C-AL;100uF,20%,160V,HR,TP,16x25,7.5	...	D385	0401-000005	DIODE-SWITCHING;1N4148,100V,200mA,DO-35,	
...	C451	2401-001160	C-AL;33uF,20%,160V,GP,-,16x35mm,7.5	...	D433	0402-000537	DIODE-RECTIFIER;RH1A,600V,0.6A,DO-204AC	
...	C452	2201-000132	C-CERAMIC,DISC;0.1nF,10%,500V,Y5P,TP,6.5	...	D434	0402-000546	DIODE-RECTIFIER;TVR10G,400V,1.0A,DO-41,T	
...	C453	2401-002288	C-AL;470uF,20%,25V,WT,TP,10x20,5	...	D435	0402-000132	DIODE-RECTIFIER;1N4004,400V,1A,DO-41,TP	
...	C454	2401-001428	C-AL;470uF,20%,50V,GP,TP,10x20,5	...	D436	0401-000005	DIODE-SWITCHING;1N4148,100V,200mA,DO-35,	
...	C455	2201-000132	C-CERAMIC,DISC;0.1nF,10%,500V,Y5P,TP,6.5	...	D440	0402-000534	DIODE-RECTIFIER;RG10V,400V,1.2A,DO-201,T	
...	C456	2401-001527	C-AL;47uF,20%,250V,HR,TP,13x25mm,5m	...	D441	0402-000534	DIODE-RECTIFIER;RG10V,400V,1.2A,DO-201,T	
...	C457	2201-000132	C-CERAMIC,DISC;0.1nF,10%,500V,Y5P,TP,6.5	...	D442	0401-000005	DIODE-SWITCHING;1N4148,100V,200mA,DO-35,	
...	C458	2401-002288	C-AL;470uF,20%,25V,WT,TP,10x20,5	...	D443	0401-000005	DIODE-SWITCHING;1N4148,100V,200mA,DO-35,	
...	C459	2201-000132	C-CERAMIC,DISC;0.1nF,10%,500V,Y5P,TP,6.5	...	D444	0402-000546	DIODE-RECTIFIER;TVR10G,400V,1.0A,DO-41,T	
...	C460	2303-000331	C-FILM,MPPF;4.7nF,5%,630V,TP,19.5x12x7.7	...	D445	0402-000534	DIODE-RECTIFIER;RG10V,400V,1.2A,DO-201,T	
...	C467	2401-000360	C-AL;100uF,20%,50V,GP,TP,8x11.5,5	...	D451	0402-000534	DIODE-RECTIFIER;RG10V,400V,1.2A,DO-201,T	
...	C468	2201-000119	C-CERAMIC,DISC;100nF,+80-20%,50V,Y5V,TP,	...	D453	0402-001286	DIODE-RECTIFIER;RP1H,2000V,1A,-,TP	
...	C469	2201-000180	C-CERAMIC,DISC;10nF,10%,50V,Y5V,TP,7x3,5	...	D472	0402-000546	DIODE-RECTIFIER;TVR10G,400V,1.0A,DO-41,T	
...	C472	2401-000262	C-AL;100uF,20%,160V,HR,TP,16x25,7.5	...	D474	0402-000546	DIODE-RECTIFIER;TVR10G,400V,1.0A,DO-41,T	
...	C476	2401-001989	C-AL;4.7uF,20%,50V,BP,TP,5x11.5	...	D477	0401-000005	DIODE-SWITCHING;1N4148,100V,200mA,DO-35,	
...	C477	2301-000213	C-FILM,PEF;220nF,5%,250V,TP,21.5x11,7.5	...	D478	0401-000005	DIODE-SWITCHING;1N4148,100V,200mA,DO-35,	
...	C478	2301-000020	C-FILM,PEF;27nF,5%,100V,TP,7.3x4x12.5mm,	...	D479	0401-000005	DIODE-SWITCHING;1N4148,100V,200mA,DO-35,	
...	C479	2301-000200	C-FILM,PEF;2.2nF,5%,200V,TP,11.0x6.0x9.0	...	D480	0402-000132	DIODE-RECTIFIER;1N4004,400V,1A,DO-41,TP	
...	C480	2306-000122	C-FILM,MPPF;100nF,5%,50V,TP,7.3x4.0x5.0m	...	D484	0402-000132	DIODE-RECTIFIER;1N4004,400V,1A,DO-41,TP	
...	C483	2401-000660	C-AL;2.2uF,20%,50V,GP,TP,5x11.5	...	D501	0402-000132	DIODE-RECTIFIER;1N4004,400V,1A,DO-41,TP	
...	C484	2201-000132	C-CERAMIC,DISC;0.1nF,10%,500V,Y5P,TP,6.5	△ ...	DR401S	0401-000005	DIODE-SWITCHING;1N4148,100V,200mA,DO-35,	
...	C487	2305-000178	C-FILM,MPEF;10nF,5%,100V,TP,-,5mm	△ ...	DR402S	0401-000005	DIODE-SWITCHING;1N4148,100V,200mA,DO-35,	
...	C488	2401-002144	C-AL;47uF,20%,16V,GP,TP,5x11.5	△ ...	DR404S	0403-001325	DIODE-ZENER;MTZJ15C,14.35-15.09V,500mW,DO	
...	C489	2401-001840	C-AL;100uF,20%,16V,GP,TP,6.3x11.5	...	DS805	0404-001056	DIODE-SCHOTTKY;RK16,60V,1.5A,DO-204AC,TP	
...	C490	2201-000119	C-CERAMIC,DISC;100nF,+80-20%,50V,Y5V,TP,	...	DS807	0402-000546	DIODE-RECTIFIER;TVR10G,400V,1.0A,DO-41,T	
...	C492	2401-001026	C-AL;3.3uF,20%,50V,GP,TP,5x11.5	...	DS809	0404-001056	DIODE-SCHOTTKY;RK16,60V,1.5A,DO-204AC,TP	
...	C857	2401-000133	C-AL;1000uF,20%,16V,GP,TP,10x20,5	...	DZ301	0403-001327	DIODE-ZENER;MTZJ18A,16.22-17.06V,500mW,DO	
...	C866	2401-000192	C-AL;1000uF,20%,50V,GP,TP,16x25,7.5	...	DZ304	0403-001327	DIODE-ZENER;MTZJ18A,16.22-17.06V,500mW,DO	
△ ...	C869	2401-000192	C-AL;1000uF,20%,50V,GP,TP,16x25,7.5	...	DZ305	0403-001329	DIODE-ZENER;MTZJ24B,22.61-23.77V,500mW,DO	
△ ...	C873	2401-001998	C-AL;1000uF,20%,25V,GP,TP,10x20,5mm	...	DZ306	0403-001330	DIODE-ZENER;MTZJ30A,26.99-28.39V,500mW,DO	
△ ...	CN401	3711-002645	CONNECTOR-HEADER;BOX,6P,1R,2.5MM,STRAIGH	...	DZ307	0403-001329	DIODE-ZENER;MTZJ24B,22.61-23.77V,500mW,DO	
△ ...	CN403	3711-002642	CONNECTOR-HEADER;BOX,3P,1R,2.5MM,STRAIGH	...	DZ386	0403-001316	DIODE-ZENER;MTZJ30A,26.99-28.39V,500mW,DO	
△ ...	CR401S	2401-001026	C-AL;3.3uF,20%,50V,GP,TP,5x11.5	...	DZ395	0403-001319	DIODE-ZENER;MTZJ4.7C,4.68-4.93V,500mW,DO	
△ ...	CR402S	2201-000146	C-CERAMIC,DISC;0.1nF,5%,50V,SL,TP,5x3.5	...	DZ400	0403-001325	DIODE-ZENER;MTZJ15C,14.35-15.09V,500mW,DO	
△ ...	CR403S	2201-000146	C-CERAMIC,DISC;0.1nF,5%,50V,SL,TP,5x3.5	...	DZ413	0403-001319	DIODE-ZENER;MTZJ4.7C,4.68-4.93V,500mW,DO	
△ ...	CS804	2201-000119	C-CERAMIC,DISC;100nF,+80-20%,50V,Y5V,TP,	...	DZ473	0403-000720	DIODE-ZENER;MTZJ9.1B,9.1V,8.57-9.01V,500	
△ ...	CS805	2401-001101	C-AL;330uF,20%,16V,GP,TP,8x11.5,5	...	DZ474	0403-000734	DIODE-ZENER;TZP15B,15V,14.7-16.5V,1W,DO-	
△ ...	CS807	2201-000119	C-CERAMIC,DISC;100nF,+80-20%,50V,Y5V,TP,	...	DZ481	0403-001327	DIODE-ZENER;MTZJ18A,16.22-17.06V,500mW,DO	
△ ...	CS808	2401-0002463	C-AL;470uF,20%,16V,GP,TP,8x11.5,5	△ ...	DZ482S	0403-000720	DIODE-ZENER;MTZJ9.1B,9.1V,8.57-9.01V,500	
...	CS809	2201-000556	C-CERAMIC,DISC;0.47nF,10%,500V,Y5P,TP,5	...	DZ483	0403-000720	DIODE-ZENER;MTZJ9.1B,9.1V,8.57-9.01V,500	
...	CS812	2201-0002076	C-CERAMIC,DISC;0.068nF,5%,1kV,SL,TP,8x4m	...	DZ801	0406-001106	DIODE-TVS;P6KE300A,285-/315V,600W,DO-20	
...	CS813	2201-000332	C-CERAMIC,DISC;2.2nF,20%,250V,Y5V,TP,9x4	...	DZ802	0406-001106	DIODE-TVS;P6KE300A,285-/315V,600W,DO-20	
...	CS814	2201-000332	C-CERAMIC,DISC;2.2nF,20%,250V,Y5V,TP,9x4	...	DZ803	0403-000508	DIODE-ZENER;MTZJ5.6B,5.6V,5.45-5.73V,500	
...	CZ101	2401-001428	C-AL;470uF,20%,50V,GP,TP,10x20,5	...	DZ804	0403-000716	DIODE-ZENER;MTZJ4.7B,4.7V,4.55-4.8V,500m	
...	CZ102	2401-001428	C-AL;470uF,20%,50V,GP,TP,10x20,5	...	DZ805	0403-001322	DIODE-ZENER;MTZJ8.2B,7.78-8.19V,500mW,DO	
...	CZ108	2201-000499	C-CERAMIC,DISC;0.39nF,5%,50V,SL,TP,8.5x3	...	DZ806	0403-000691	DIODE-ZENER;R2K,170V,170-200V,-,TP	

Loc. No.	Code No.	Description ; Specification	Remark	Loc. No.	Code No.	Description ; Specification	Remark
...	DZ807	0403-000734	DIODE-ZENER;TZP15B,15V,14.7-16.5V,1W,DO-	...	R389	2001-000577	R-CARBON;2KOHM,5%,1/8W,AA,TP,1.8X3.2MM
△	ICR01S	1203-001217	IC-POS.ADJUST REG.;431,TO-92,3P,4.58MMIL	...	R397	2001-000429	R-CARBON;1KOHM,5%,1/8W,AA,TP,1.8X3.2MM
...	L341	2701-000116	INDUCTOR-AXIAL;10uH,10%,4.2x9.8mm	...	R405	2009-001109	R-TEMPERATURE;240ohm,5%,1/4W,AA,TP,2.3x6
...	L480	2901-000297	FILTER-EMI ON BOARD;-.3A,-,-,3.5x5,TP,-	...	R406	2004-001983	R-METAL(S);2.49Kohm,1%,1/2W,AA,TP,2.4x6.
...	L481	3301-000287	CORE-FERRITE BEAD;AA,3.5x1.0x6.0mm,1500,	...	R407	2004-001897	R-METAL(S);43.2Kohm,1%,1/2W,AA,TP,2.5x6.
...	L483	2901-000299	FILTER-EMI ON BOARD;-.6A,UL/CSA,-,9x7.5,	...	R408	2004-001402	R-METAL(S);6.8Kohm,1%,1/2W,AA,TP,2.4x6.4
...	L492	3301-000287	CORE-FERRITE BEAD;AA,3.5x1.0x6.0mm,1500,	...	R409	2001-001178	R-CARBON(S);680OHM,5%,1/2W,AA,TP,2.4X6.4
...	L493	3301-000287	CORE-FERRITE BEAD;AA,3.5x1.0x6.0mm,1500,	...	R410	2001-000052	R-CARBON(S);3.3KOHM,5%,1/2W,AA,TP,2.4X6.
...	L495	3301-000287	CORE-FERRITE BEAD;AA,3.5x1.0x6.0mm,1500,	...	R411	2008-001113	R-FUSIBLE(S);0.22ohm,10%,2W,AG,TP,3.9x12
...	L499	2901-000297	FILTER-EMI ON BOARD;-.3A,-,-,3.5x5,TP,-	...	R412	2001-000362	R-CARBON;150OHM,5%,1/8W,AA,TP,1.8X3.2MM
...	LS801	2901-000297	FILTER-EMI ON BOARD;-.3A,-,-,3.5x5,TP,-	...	R413	2001-001088	R-CARBON(S);1KOHM,5%,1/2W,AA,TP,2.4X6.4M
...	LS802	2901-000297	FILTER-EMI ON BOARD;-.3A,-,-,3.5x5,TP,-	...	R414	2001-000734	R-CARBON;4.7KOHM,5%,1/8W,AA,TP,1.8X3.2M
...	LZ107	2701-000142	INDUCTOR-AXIAL;1uH,10%,2.5x3.4mm	...	R415	2001-000734	R-CARBON;4.7KOHM,5%,1/8W,AA,TP,1.8X3.2M
...	LZ108	2701-000142	INDUCTOR-AXIAL;1uH,10%,2.5x3.4mm	...	R416	2001-000006	R-CARBON;2.4KOHM,5%,1/8W,AA,TP,1.8X3.2M
...	LZ109	2701-000142	INDUCTOR-AXIAL;1uH,10%,2.5x3.4mm	...	R417	2001-000515	R-CARBON;220OHM,5%,1/8W,AA,TP,1.8X3.2MM
...	LZ110	2701-000142	INDUCTOR-AXIAL;1uH,10%,2.5x3.4mm	...	R418	2001-000290	R-CARBON;10KOHM,5%,1/8W,AA,TP,1.8X3.2MM
...	LZ111	2701-000142	INDUCTOR-AXIAL;1uH,10%,2.5x3.4mm	...	R419	2001-000290	R-CARBON;10KOHM,5%,1/8W,AA,TP,1.8X3.2MM
...	LZ112	2701-000142	INDUCTOR-AXIAL;1uH,10%,2.5x3.4mm	...	R420	2001-000281	R-CARBON;100OHM,5%,1/8W,AA,TP,1.8X3.2MM
...	Q301	0501-000389	TR-SMALL SIGNAL;KSC815,NPN,400mW,TO-92,T	...	R421	2003-002159	R-METAL OXIDE;1500HM,5%,1W,AG,TP,4.3X12M
...	Q350	0501-000389	TR-SMALL SIGNAL;KSC815,NPN,400mW,TO-92,T	...	R422	2001-000028	R-CARBON(S);220OHM,5%,1/2W,AA,TP,2.4X6.4
...	Q351	0501-000389	TR-SMALL SIGNAL;KSC815,NPN,400mW,TO-92,T	...	R423	2001-000613	R-CARBON;3.9KOHM,5%,1/8W,AA,TP,1.8X3.2M
...	Q352	0501-000366	TR-SMALL SIGNAL;KSC2330-Y,NPN,1W,TO-92L,	...	R424	2008-000299	R-FUSIBLE(S);47ohm,5%,2W,AF,TP,3.9x10mm
...	Q381	0501-000389	TR-SMALL SIGNAL;KSC815,NPN,400mW,TO-92,T	...	R425	2003-000417	R-METAL OXIDE(S);1.2Kohm,5%,3W,AA,TP,6x1
...	Q382	0501-000389	TR-SMALL SIGNAL;KSC815,NPN,400mW,TO-92,T	...	R426	2003-002153	R-METAL OXIDE;4.70HM,5%,2W,AG,TP,6X16MM
...	Q401	0501-000389	TR-SMALL SIGNAL;KSC815,NPN,400mW,TO-92,T	...	R427	2003-002152	R-METAL OXIDE;10HM,5%,2W,AG,TP,6X16MM
...	Q402	0501-000389	TR-SMALL SIGNAL;KSC815,NPN,400mW,TO-92,T	...	R427A	2003-002152	R-METAL OXIDE;10HM,5%,2W,AG,TP,6X16MM
...	Q421	0501-000389	TR-SMALL SIGNAL;KSC815,NPN,400mW,TO-92,T	...	R428	2002-001017	R-COMPOSITION;1Kohm,10%,1/2W,AA,TP,3.7x9
...	Q422	0505-000156	FET-SILICON;IRF620,N,200V,5A,0.8ohm,50W,	...	R428A	2002-001017	R-COMPOSITION;1Kohm,10%,1/2W,AA,TP,3.7x9
...	Q432	0501-000283	TR-SMALL SIGNAL;KSA539,PNP,400mW,TO-92,T	...	R429	2003-000586	R-METAL OXIDE(S);22Kohm,5%,2W,AF,TP,4x12
...	Q435	0501-000369	TR-SMALL SIGNAL;KSC2331-Y,NPN,1000mW,TO-	...	R430	2003-000586	R-METAL OXIDE(S);22Kohm,5%,2W,AF,TP,4x12
...	Q436	0501-000389	TR-SMALL SIGNAL;KSC815,NPN,400mW,TO-92,T	...	R432	2001-001144	R-CARBON(S);4.7KOHM,5%,1/2W,AA,TP,2.4X6.
...	Q451	0501-000389	TR-SMALL SIGNAL;KSC815,NPN,400mW,TO-92,T	...	R433	2001-001155	R-CARBON(S);5.6KOHM,5%,1/2W,AA,TP,2.4X6.
...	Q461	0501-000389	TR-SMALL SIGNAL;KSC815,NPN,400mW,TO-92,T	...	R434	2001-001093	R-CARBON(S);2.2KOHM,5%,1/2W,AA,TP,2.4X6.
...	Q471	0501-000389	TR-SMALL SIGNAL;KSC815,NPN,400mW,TO-92,T	...	R435	2001-001107	R-CARBON(S);220ohm,5%,1/2W,AA,TP,2.4x6.4
...	Q472	0505-000156	FET-SILICON;IRF620,N,200V,5A,0.8ohm,50W,	...	R436	2001-001182	R-CARBON(S);7.5KOHM,5%,1/2W,AA,TP,2.4X6.
...	Q474	0501-000389	TR-SMALL SIGNAL;KSC815,NPN,400mW,TO-92,T	...	R437	2008-001087	R-FUSIBLE(S);1.8ohm,5%,2W,AG,TP,3.9x12mm
...	Q481	0501-000389	TR-SMALL SIGNAL;KSC815,NPN,400mW,TO-92,T	...	R438	2001-000085	R-CARBON(S);100KOHM,5%,1/2W,AA,TP,2.4X6.
...	Q482	0501-000283	TR-SMALL SIGNAL;KSA539,PNP,400mW,TO-92,T	...	R439	2001-000085	R-CARBON(S);100KOHM,5%,1/2W,AA,TP,2.4X6.
△	QR401S	0501-000283	TR-SMALL SIGNAL;KSA539,PNP,400mW,TO-92,T	...	R440	2008-000282	R-FUSIBLE;0.47ohm,5%,1W,AA,TP,3.9x12mm
...	QS801	0501-000369	TR-SMALL SIGNAL;KSC2331-Y,NPN,1000mW,TO-	...	R441	2008-000253	R-FUSIBLE(S);0.47ohm,5%,1W,AF,TP,3.9x10m
...	QS802	0501-000389	TR-SMALL SIGNAL;KSC815,NPN,400mW,TO-92,T	...	R442	2008-000253	R-FUSIBLE(S);0.47ohm,5%,1W,AF,TP,3.9x10m
...	R301	2004-001897	R-METAL(S);43.2Kohm,1%,1/2W,AA,TP,2.5x6.	...	R442A	2008-000254	R-FUSIBLE(S);0.68ohm,5%,2W,AF,TP,3.9x10m
...	R302	2004-001897	R-METAL(S);43.2Kohm,1%,1/2W,AA,TP,2.5x6.	...	R443	2003-002156	R-METAL OXIDE;560OHM,5%,2W,AG,TP,6X16MM
...	R303	2004-001984	R-METAL(S);26.7Kohm,1%,1/2W,AA,TP,2.4x6.	...	R443A	2003-002156	R-METAL OXIDE;560OHM,5%,2W,AG,TP,6X16MM
...	R305	2004-001984	R-METAL(S);26.7Kohm,1%,1/2W,AA,TP,2.4x6.	...	R444	2003-000995	R-METAL OXIDE(S);3.3Kohm,5%,2W,AF,TP,3.9
...	R306	2003-002129	R-METAL OXIDE(S);3.9ohm,5%,2W,AF,TP,3.9x	...	R445	2008-000253	R-FUSIBLE(S);0.47ohm,5%,1W,AF,TP,3.9x10m
...	R307	2003-001036	R-METAL OXIDE(S);3.3ohm,5%,2W,AF,TP,3.9x	...	R446	2001-000734	R-CARBON;4.7KOHM,5%,1/8W,AA,TP,1.8X3.2M
...	R308	2001-000016	R-CARBON(S);10HM,5%,1/2W,AA,TP,2.4X6.4MM	...	R447	2008-000254	R-FUSIBLE(S);0.68ohm,5%,2W,AF,TP,3.9x10m
...	R310	2003-002009	R-METAL OXIDE(S);390ohm,5%,2W,AF,TP,3.9x	...	R448	2001-000258	R-CARBON;1.8KOHM,5%,1/8W,AA,TP,1.8X3.2M
...	R312	2001-000290	R-CARBON;10KOHM,5%,1/8W,AA,TP,1.8X3.2MM	...	R449	2008-000253	R-FUSIBLE(S);0.47ohm,5%,1W,AF,TP,3.9x10m
...	R313	2001-000761	R-CARBON;4300HM,5%,1/8W,AA,TP,1.8X3.2MM	...	R454	2001-000761	R-CARBON;4300HM,5%,1/8W,AA,TP,1.8X3.2MM
...	R314	2001-000761	R-CARBON;4300HM,5%,1/8W,AA,TP,1.8X3.2MM	...	R455	2001-000761	R-CARBON;4300HM,5%,1/8W,AA,TP,1.8X3.2MM
...	R332	2001-001107	R-CARBON(S);220ohm,5%,1/2W,AA,TP,2.4x6.4	...	R456	2001-000761	R-CARBON;4300HM,5%,1/8W,AA,TP,1.8X3.2MM
...	R333	2001-001107	R-CARBON(S);220ohm,5%,1/2W,AA,TP,2.4x6.4	...	R458	2001-000577	R-CARBON;2KOHM,5%,1/8W,AA,TP,1.8X3.2MM
...	R334	2001-001107	R-CARBON(S);220ohm,5%,1/2W,AA,TP,2.4x6.4	...	R459	2001-001192	R-CARBON(S);820OHM,5%,1/2W,AA,TP,2.4X6.4
...	R350	2001-000878	R-CARBON;6.2KOHM,5%,1/8W,AA,TP,1.8X3.2M	...	R460	2003-002044	R-METAL OXIDE(S);100ohm,5%,1W,AF,TP,2.5x
...	R351	2001-000008	R-CARBON;15KOHM,5%,1/8W,AA,TP,1.8X3.2MM	...	R461	2001-000613	R-CARBON;3.9KOHM,5%,1/8W,AA,TP,1.8X3.2M
...	R352	2001-000837	R-CARBON;51KOHM,5%,1/8W,AA,TP,1.8X3.2MM	...	R462	2008-001079	R-FUSIBLE;4.70HM,5%,2W,AF,TP,3.9X10MM
...	R353	2001-000660	R-CARBON;33KOHM,5%,1/8W,AA,TP,1.8X3.2MM	...	R463	2003-001024	R-METAL OXIDE(S);150ohm,5%,2W,AF,TP,3.9x
...	R354	2001-000734	R-CARBON;4.7KOHM,5%,1/8W,AA,TP,1.8X3.2M	...	R464	2003-002158	R-METAL OXIDE;0.68OHM,5%,1W,AG,TP,4.3X12
...	R355	2001-000857	R-CARBON;560OHM,5%,1/8W,AA,TP,1.8X3.2MM	...	R465	2008-000253	R-FUSIBLE(S);0.47ohm,5%,1W,AF,TP,3.9x10m
...	R356	2001-000591	R-CARBON;3.3KOHM,5%,1/8W,AA,TP,1.8X3.2M	...	R466	2004-001386	R-METAL(S);16.9Kohm,1%,1/2W,AA,TP,2.4x6.
...	R357	2001-000591	R-CARBON;3.3KOHM,5%,1/8W,AA,TP,1.8X3.2M	...	R467	2004-001986	R-METAL(S);35.7Kohm,1%,1/2W,AA,TP,2.4x6.
...	R358	2001-000857	R-CARBON;560OHM,5%,1/8W,AA,TP,1.8X3.2MM	...	R468	2001-001122	R-CARBON(S);3.9KOHM,5%,1/2W,AA,TP,2.4X6.
...	R359	2001-000109	R-CARBON(S);470OHM,5%,1/2W,AA,TP,2.4X6.4	...	R469	2001-001088	R-CARBON(S);1KOHM,5%,1/2W,AA,TP,2.4X6.4M
...	R360	2001-000723	R-CARBON;4.3KOHM,5%,1/8W,AA,TP,1.8X3.2M	...	R470	2001-000028	R-CARBON(S);100OHM,5%,1/2W,AA,TP,2.4X6.4
...	R361	2004-001395	R-METAL(S);330Kohm,2%,1/2W,AA,TP,2.4x6.4	...	R471	2004-002011	R-METAL(S);110Kohm,1%,1/2W,AA,TP,2.4x6.4
...	R362	2004-001395	R-METAL(S);330Kohm,2%,1/2W,AA,TP,2.4x6.4	...	R472	2008-000252	R-FUSIBLE(S);0.47ohm,10%,1/2W,AF,TP,2.5x
...	R363	2004-001395	R-METAL(S);330Kohm,2%,1/2W,AA,TP,2.4x6.4	...	R473	2004-001395	R-METAL(S);330Kohm,2%,1/2W,AA,TP,2.4x6.4
...	R364	2004-001395	R-METAL(S);330Kohm,2%,1/2W,AA,TP,2.4x6.4	...	R474	2001-000009	R-CARBON;20KOHM,5%,1/8W,AA,TP,1.8X3.2MM
...	R365	2004-001395	R-METAL(S);330Kohm,2%,1/2W,AA,TP,2.4x6.4	...	R475	2001-000812	R-CARBON;5.6KOHM,5%,1/8W,AA,TP,1.8X3.2M
...	R366	2002-001006	R-COMPOSITION;4.7Kohm,5%,1/2W,AA,TP,3.7x	...	R482	2001-001031	R-CARBON;91KOHM,5%,1/8W,AA,TP,1.8X3.2MM
...	R384	2001-001150	R-CARBON(S);470KOHM,5%,1/2W,AA,TP,2.4X6.	...	R483	2001-000429	R-CARBON;1KOHM,5%,1/8W,AA,TP,1.8X3.2MM
...	R385	2001-000577	R-CARBON;2KOHM,5%,1/8W,AA,TP,1.8X3.2MM	...	R484	2001-000429	R-CARBON;1KOHM,5%,1/8W,AA,TP,1.8X3.2MM
...	R386	2001-000786	R-CARBON;47KOHM,5%,1/8W,AA,TP,1.8X3.2MM	...	R485	2008-001137	R-FUSIBLE(S);3.3ohm,5%,1W,AF,TP,3.9x10mm
...	R387	2001-000009	R-CARBON;20KOHM,5%,1/8W,AA,TP,1.8X3.2MM	...	R486	2008-001018	R-FUSIBLE(S);0.47ohm,10%,2W,AF,TP,3.9x10
...	R388	2001-000522	R-CARBON;22KOHM,5%,1/8W,AA,TP,1.8X3.2MM	...	R487	2001-000924	R-CARBON;680OHM,5%,1/8W,AA,TP,1.8X3.2MM

Loc. No.	Code No.	Description ; Specification	Remark
...	R488	2001-000273 R-CARBON;100KOHM,5%,1/8W,AA,TP,1.8X3.2M	
...	R489	2001-000800 R-CARBON;5.1KOHM,5%,1/8W,AA,TP,1.8X3.2M	
...	R490	2001-000800 R-CARBON;5.1KOHM,5%,1/8W,AA,TP,1.8X3.2M	
...	R491	2001-001146 R-CARBON(S);4.7OHM,5%,1/2W,AA,TP,2.4X6.4	
...	R492	2001-000508 R-CARBON;220KOHM,5%,1/8W,AA,TP,1.8X3.2M	
...	R494	2001-000734 R-CARBON;4.7KOHM,5%,1/8W,AA,TP,1.8X3.2M	
...	R495	2001-000262 R-CARBON;1.8MOHM,5%,1/8W,AA,TP,1.8X3.2M	
...	R501	2004-001376 R-METAL(S);11Kohm,1%,1/2W,AA,TP,2.4x6.4m	
...	R502	2004-001369 R-METAL(S);1.2Kohm,1%,1/2W,AA,TP,2.4x6.4	
...	R856	2001-001155 R-CARBON(S);5.6KOHM,5%,1/2W,AA,TP,2.4X6.	
...	R857	2001-001155 R-CARBON(S);5.6KOHM,5%,1/2W,AA,TP,2.4X6.	
△	RF801S	2008-000282 R-FUSIBLE;0.47ohm,5%,1W,AA,TP,3.9x12mm	
...	RFS802	2008-000294 R-FUSIBLE(S);33ohm,5%,2W,AF,TP,3.9x10mm	
...	RFZ19	2008-000261 R-FUSIBLE(S);150ohm,5%,1W,AF,TP,3.9x10mm	
...	RFZ20	2008-000261 R-FUSIBLE(S);150ohm,5%,1W,AF,TP,3.9x10mm	
...	RFZ21	2008-000261 R-FUSIBLE(S);150ohm,5%,1W,AF,TP,3.9x10mm	
...	RFZ22	2008-000261 R-FUSIBLE(S);150ohm,5%,1W,AF,TP,3.9x10mm	
...	RFZ50	2008-000261 R-FUSIBLE(S);150ohm,5%,1W,AF,TP,3.9x10mm	
...	RFZ51	2008-000261 R-FUSIBLE(S);150ohm,5%,1W,AF,TP,3.9x10mm	
...	RFZ52	2008-000261 R-FUSIBLE(S);150ohm,5%,1W,AF,TP,3.9x10mm	
...	RFZ53	2008-000261 R-FUSIBLE(S);150ohm,5%,1W,AF,TP,3.9x10mm	
△	RR401S	2004-001892 R-METAL(S);162Kohm,1%,1/2W,AA,TP,2.5x6.5	
△	RR402S	2103-001086 VR-SEMI;100KOHM,25%,0.3W,TOP	
△	RR403S	2004-004001 R-METAL(S);180Kohm,1%,1/2W,AA,TP,2.5x6.5	
...	RR404S	2004-004046 R-METAL(S);430Kohm,1%,1/2W,AA,TP,2.5x6.5	
△	RR405S	2004-004046 R-METAL(S);430Kohm,1%,1/2W,AA,TP,2.5x6.5	
△	RR406S	2004-001892 R-METAL(S);162Kohm,1%,1/2W,AA,TP,2.5x6.5	
△	RR407S	2001-000429 R-CARBON;1KOHM,5%,1/8W,AA,TP,1.8X3.2MM	
△	RR408S	2001-000449 R-CARBON;2.2KOHM,5%,1/8W,AA,TP,1.8X3.2MM	
△	RR409S	2001-000005 R-CARBON;390ohm,5%,1/8W,AA,TP,1.8x3.2mm	
△	RR410S	2001-000290 R-CARBON;10KOHM,5%,1/8W,AA,TP,1.8X3.2MM	
△	RR471S	2103-001024 VR-SEMI;50Kohm,25%,0.3W,TOP	
...	RS801	2001-001093 R-CARBON(S);2.2KOHM,5%,1/2W,AA,TP,2.4X6.	
...	RS803	2001-001159 R-CARBON(S);5100HM,5%,1/2W,AA,TP,2.4X6.4	
...	RS804	2001-001182 R-CARBON(S);7.5KOHM,5%,1/2W,AA,TP,2.4X6.	
...	RS805	2001-001107 R-CARBON(S);220ohm,5%,1/2W,AA,TP,2.4x6.4	
...	RS806	2001-001159 R-CARBON(S);5100HM,5%,1/2W,AA,TP,2.4X6.4	
...	RS807	2001-001192 R-CARBON(S);8200HM,5%,1/2W,AA,TP,2.4X6.4	
...	RS808	2001-000066 R-CARBON(S);10KOHM,5%,1/2W,AA,TP,2.4X6.4	
...	RS809	2001-001099 R-CARBON(S);2.7KOHM,5%,1/2W,AA,TP,2.4X6.	
...	RS810	2001-000085 R-CARBON(S);100KOHM,5%,1/2W,AA,TP,2.4X6.	
...	RS811	2001-001097 R-CARBON(S);2.4KOHM,5%,1/2W,AA,TP,2.4X6.	
...	RZ104	2001-001114 R-CARBON(S);2700HM,5%,1/2W,AA,TP,2.4X6.4	
...	RZ105	2001-001114 R-CARBON(S);2700HM,5%,1/2W,AA,TP,2.4X6.4	
...	RZ106	2001-001114 R-CARBON(S);2700HM,5%,1/2W,AA,TP,2.4X6.4	
...	RZ107	2001-001114 R-CARBON(S);2700HM,5%,1/2W,AA,TP,2.4X6.4	
...	RZ108	2001-001114 R-CARBON(S);2700HM,5%,1/2W,AA,TP,2.4X6.4	
...	RZ109	2001-001114 R-CARBON(S);2700HM,5%,1/2W,AA,TP,2.4X6.4	
...	RZ110	2001-000563 R-CARBON;27KOHM,5%,1/8W,AA,TP,1.8X3.2MM	
...	RZ111	2001-000563 R-CARBON;27KOHM,5%,1/8W,AA,TP,1.8X3.2MM	
...	RZ112	2001-000563 R-CARBON;27KOHM,5%,1/8W,AA,TP,1.8X3.2MM	
...	RZ113	2001-000591 R-CARBON;3.3KOHM,5%,1/8W,AA,TP,1.8X3.2M	
...	RZ114	2001-000857 R-CARBON;5600HM,5%,1/8W,AA,TP,1.8X3.2MM	
...	RZ115	2001-000591 R-CARBON;3.3KOHM,5%,1/8W,AA,TP,1.8X3.2M	
...	RZ116	2001-000857 R-CARBON;5600HM,5%,1/8W,AA,TP,1.8X3.2MM	
...	RZ117	2001-000591 R-CARBON;3.3KOHM,5%,1/8W,AA,TP,1.8X3.2M	
...	RZ118	2001-000857 R-CARBON;5600HM,5%,1/8W,AA,TP,1.8X3.2MM	
...	RZ123	2003-002148 R-METAL OXIDE;3.9OHM,2%,2W,AF,TP,3.9X10M	
...	RZ124	2003-002148 R-METAL OXIDE;3.9OHM,2%,2W,AF,TP,3.9X10M	
...	RZ125	2003-002148 R-METAL OXIDE;3.9OHM,2%,2W,AF,TP,3.9X10M	
...	RZ126	2003-002148 R-METAL OXIDE;3.9OHM,2%,2W,AF,TP,3.9X10M	
...	RZ127	2003-002148 R-METAL OXIDE;3.9OHM,2%,2W,AF,TP,3.9X10M	
...	RZ128	2003-002148 R-METAL OXIDE;3.9OHM,2%,2W,AF,TP,3.9X10M	
...	RZ129	2003-002171 R-METAL OXIDE(S);150ohm,5%,2W,AG,TP,3.9x	
...	RZ129A	2003-002171 R-METAL OXIDE(S);150ohm,5%,2W,AG,TP,3.9x	
...	RZ130	2003-002171 R-METAL OXIDE(S);150ohm,5%,2W,AG,TP,3.9x	
...	RZ131	2003-002171 R-METAL OXIDE(S);150ohm,5%,2W,AG,TP,3.9x	
...	RZ131A	2003-002171 R-METAL OXIDE(S);150ohm,5%,2W,AG,TP,3.9x	
...	RZ132	2003-002171 R-METAL OXIDE(S);150ohm,5%,2W,AG,TP,3.9x	
...	RZ132A	2003-002171 R-METAL OXIDE(S);150ohm,5%,2W,AG,TP,3.9x	
...	RZ133	2001-000563 R-CARBON;27KOHM,5%,1/8W,AA,TP,1.8X3.2MM	
...	RZ134	2001-000563 R-CARBON;27KOHM,5%,1/8W,AA,TP,1.8X3.2MM	
...	RZ135	2001-000563 R-CARBON;27KOHM,5%,1/8W,AA,TP,1.8X3.2MM	
...	RZ136	2001-000591 R-CARBON;3.3KOHM,5%,1/8W,AA,TP,1.8X3.2M	
...	RZ137	2001-000857 R-CARBON;5600HM,5%,1/8W,AA,TP,1.8X3.2MM	
...	RZ138	2001-000591 R-CARBON;3.3KOHM,5%,1/8W,AA,TP,1.8X3.2M	

Loc. No.	Code No.	Description ; Specification	Remark
...	RZ139	2001-000857 R-CARBON;5600HM,5%,1/8W,AA,TP,1.8X3.2MM	
...	RZ140	2001-000591 R-CARBON;3.3KOHM,5%,1/8W,AA,TP,1.8X3.2M	
...	RZ141	2001-000857 R-CARBON;5600HM,5%,1/8W,AA,TP,1.8X3.2MM	
...	RZ142	2003-002148 R-METAL OXIDE;3.9OHM,2%,2W,AF,TP,3.9X10M	
...	RZ143	2003-002148 R-METAL OXIDE;3.9OHM,2%,2W,AF,TP,3.9X10M	
...	RZ144	2003-002148 R-METAL OXIDE;3.9OHM,2%,2W,AF,TP,3.9X10M	
...	RZ145	2003-002148 R-METAL OXIDE;3.9OHM,2%,2W,AF,TP,3.9X10M	
...	RZ146	2003-002148 R-METAL OXIDE;3.9OHM,2%,2W,AF,TP,3.9X10M	
...	RZ147	2003-002148 R-METAL OXIDE;3.9OHM,2%,2W,AF,TP,3.9X10M	
...	RZ148	2003-002171 R-METAL OXIDE(S);150ohm,5%,2W,AG,TP,3.9x	
...	RZ148A	2003-002171 R-METAL OXIDE(S);150ohm,5%,2W,AG,TP,3.9x	
...	RZ149	2003-002171 R-METAL OXIDE(S);150ohm,5%,2W,AG,TP,3.9x	
△	VP811S	1405-000152 VARISTOR;560V,2500A,14x8.5mm,TP	
...	...	3301-001201 CORE-FERRITE;AE,21x11x32mm,1500,280G	

### ASSY-CONTROL

Loc. No.	Code No.	Description ; Specification	Remark
1	*AA95-01068A	ASSY-CONTROL;PCL545R,P54A	S.N.A
...	PCB+A/	6003-001023 SCREW-TAPTITE;RWH,+B,M3,L10,ZPC(YEL),SW	
...	AA91-00652A	ASSY-CONTROL;HIPS HB BLK,SEA,PCL545R(S4	S.N.A
...	6002-000522	SCREW-TAPPING;TH,+2,M4,L15,ZPC(BLK),SWR	
...	AA61-60003J	SPRING-CS;-,SUS304,0.5,OD6,H12,N7,-,-,-	
...	AA64-01750B	KNOB POWER;54J9,62J9,ABS HB,GRAY,SV-012P	S.N.A
...	AA64-01752B	INDICATOR LED;54J9,62J9,ACRYL,CLR	S.N.A
...	AA64-01755B	WINDOW REMOCON;54J9,62J9,PC,SEMI VIOLET	S.N.A
...	AA64-01749B	KNOB-CONTROL,HOLDER;54J9,62J9,ABS HB,BLK	S.N.A
...	AA64-01747B	DOOR-AV;54J9,62J9,HIPS HB,BLK,BL903P	S.N.A
...	AA64-01746B	PANEL-CONTROL;54J9,62J9,HIPS HB,BLK,LG80	S.N.A
...	AA64-01396E	INLAY-AV;43,54,62J8,PS SHEET,T0.5,-,BLK	
...	AA95-00961A	ASSY-PCB,CONTROL;-,PCL534R,P54A,-,-,-	S.N.A
...	CNW01	AA39-00223A LEAD CONNECTOR ASSY;,11P;67096-011,35155	
...	CNY01	3711-003353 CONNECTOR-HEADER;BOX,11P,1R,2.5mm,ANGLE	
...	CNY02	3711-000447 CONNECTOR-HEADER;3WALL,3P,1R,2.5mm,ANGLE	
...	CNYW02	AA39-20016A LEAD CONNECTOR ASSY;,3P;67096-003,S,200,	
...	CY01	2401-002009 C-AL;100uF,20%,16V,GP,TP,6.3x7,5	
...	DZY02	0403-000510 DIODE-ZENER;MTZJ6.2B,6.2V,5.96-6.27V,500	
...	DZY03	0403-000510 DIODE-ZENER;MTZJ6.2B,6.2V,5.96-6.27V,500	
...	LEDY01	0601-001381 LED;ROUND,RED;GRN,5.0MM,650/563NM	
...	PCB	AA41-00425A PCB-CONTROL;SVP54J8SR,FR-1,1LA,1.6T,245	S.N.A
...	QY01	0504-000123 TR-DIGITAL;KSR1010,NPN,300mW,10K,TO-92,T	
...	RMY01	AA59-60002B MODULE-REMOCON;-,ORC-50HF,38KHZ,940MM,ME	
...	RY02	2001-000924 R-CARBON;6800HM,5%,1/8W,AA,TP,1.8X3.2MM	
...	RY03	2001-000429 R-CARBON;1KOHM,5%,1/8W,AA,TP,1.8X3.2MM	
...	RY04	2001-000449 R-CARBON;2.2KOHM,5%,1/8W,AA,TP,1.8X3.2M	
...	RY05	2001-000924 R-CARBON;6800HM,5%,1/8W,AA,TP,1.8X3.2MM	
...	RY06	2001-000429 R-CARBON;1KOHM,5%,1/8W,AA,TP,1.8X3.2MM	
...	RY07	2001-000020 R-CARBON(S);220HM,5%,1/2W,AA,TP,2.4X6.4M	
...	RY08	2001-001108 R-CARBON(S);22KOHM,5%,1/2W,AA,TP,2.4X6.4	
...	RY09	2001-000109 R-CARBON(S);4700HM,5%,1/2W,AA,TP,2.4X6.4	
...	SWY01	3404-001006 SWITCH-TACT;12V,50mA,160gf,6x6mm,SPST	
...	SWY02	3404-001006 SWITCH-TACT;12V,50mA,160gf,6x6mm,SPST	
...	SWY03	3404-001006 SWITCH-TACT;12V,50mA,160gf,6x6mm,SPST	
...	SWY04	3404-001006 SWITCH-TACT;12V,50mA,160gf,6x6mm,SPST	
...	SWY05	3404-001006 SWITCH-TACT;12V,50mA,160gf,6x6mm,SPST	
...	SWY06	3404-001006 SWITCH-TACT;12V,50mA,160gf,6x6mm,SPST	
...	SWY07	3404-001006 SWITCH-TACT;12V,50mA,160gf,6x6mm,SPST	
...	SWY08	3404-001006 SWITCH-TACT;12V,50mA,160gf,6x6mm,SPST	
...	3301-001201	CORE-FERRITE;AE,21x11x32mm,1500,280G	
...	0202-000187	SOLDER-WIRE FLUX;-,RS60S,D1.2.63Sn/37Pb	
...	AA95-00998A	ASSY-PCB,A/V FRONT,PCL545R,P54A	S.N.A
...	CNY01A	3711-003974 CONNECTOR-HEADER;BOX,12P,1R,2.5mm,STRAIG	
...	CNY702	3711-000447 CONNECTOR-HEADER;3WALL,3P,1R,2.5mm,ANGLE	
...	CNYW01	AA39-002231A LEAD CONNECTOR ASSY;,12P;35155-1200,6709	
...	JK101	3722-000544 JACK-VHS;4P;11.5mm,AG,BLK,N	
...	JK102	3722-001164 JACK-RCA;3P;3.4mm,SN,WH;YE-RE,#16-22	
...	PCB	AA41-00453A PCB-AV FRONT;PCL545R,FR-1,1LA,1.6T,330X	S.N.A
...	RK101	2001-000613 R-CARBON;3.9KOHM,5%,1/8W,AA,TP,1.8X3.2M	
...	SW101	3404-000208 SWITCH-TACT;12V,50mA,120gf,6x6mm,SPST	
...	3301-001201	CORE-FERRITE;AE,21x11x32mm,1500,280G	
...	0202-000187	SOLDER-WIRE FLUX;-,RS60S,D1.2.63Sn/37Pb	

Loc. No.	Code No.	Description ; Specification	Remark	Loc. No.	Code No.	Description ; Specification	Remark
<b>ASSY-PCB,SENSOR</b>							
1	*AA95-01031A	ASSY-PCB,SENSOR,;PCL545R,P54A		...3	C540	2401-000430	C-AL;10uF,20%,250V,GP,TP,10x16mm,5m
..2	CN01	3711-002642	CONNECTOR-HEADER;BOX,3P,1R,2.5MM,STRAIGH	...3	C542	2201-000983	C-CERAMIC,DISC;1nF,10%,2kV,Y5P,TP,9x5,7.
..2	D01	0603-001067	PHOTO DIODE;-;10V,560nm,BK	...3	C543	2201-000599	C-CERAMIC,DISC;0.56nF,10%,500V,Y5P,TP,5.
..2	PCB	AA41-00433A	PCB-SENSOR;PCL545R,CEM-1,1L,A,1.6T,245X2	...3	C562	2401-000027	C-AL;4.7uF,20%,50V,GP,TP,5x11,5
..2	Q01	0501-000389	TR-SMALL SIGNAL;KSC815,NPN,400mW,TO-92,T	...3	C563	2201-000119	C-CERAMIC,DISC;100nF,+80-20%,50V,Y5V,TP,
..2		0202-000187	SOLDER-WIRE FLUX;-;RS60S,D1.2,63Sn/37Pb	...3	C564	2401-001537	C-AL;47uF,20%,25V,GP,TP,6.3x7mm,5mm
..2		AA99-20090G	ASSY-PCB SUB,AUTO; AA95-01031A .V	...3	C565	2305-000149	C-FILM,MPEF;100nF,5%,100V,TP,12x12.5x6.5
..3	R01	2001-000739	R-CARBON;4.7MOHM,5%,1/8W,AA,TP,1.8X3.2M	...3	C566	2401-000430	C-AL;10uF,20%,250V,GP,TP,10x16mm,5m
..3	R02	2001-000739	R-CARBON;4.7MOHM,5%,1/8W,AA,TP,1.8X3.2M	...3	C567	2305-000154	C-FILM,MPEF;100nF,5%,400V,TP,21.5x6.5x11
..3	R03	2001-000454	R-CARBON;2.2MOHM,5%,1/8W,AA,TP,1.8X3.2M	...3	C570	2401-000430	C-AL;10uF,20%,250V,GP,TP,10x16mm,5m
				...3	C572	2201-000983	C-CERAMIC,DISC;1nF,10%,2kV,Y5P,TP,9x5,7.
				...3	C573	2201-000599	C-CERAMIC,DISC;0.56nF,10%,500V,Y5P,TP,5.
				...3	CN401	3711-002645	CONNECTOR-HEADER;BOX,6P,1R,2.5MM,STRAIGH
				...3	D501	0402-000546	DIODE-RECTIFIER;TVR10G,400V,1.0A,DO-41,T
				...3	D502	0402-000546	DIODE-RECTIFIER;TVR10G,400V,1.0A,DO-41,T
				...3	D503	0402-000493	DIODE-RECTIFIER;1R5GU41,400V,1.5A,DO-15L
				...3	D504	0401-000005	DIODE-SWITCHING;1N4148,100V,200mA,DO-35,
				...3	D509	0401-000005	DIODE-SWITCHING;1N4148,100V,200mA,DO-35,
				...3	D510	0401-000005	DIODE-SWITCHING;1N4148,100V,200mA,DO-35,
				...3	D531	0402-000546	DIODE-RECTIFIER;TVR10G,400V,1.0A,DO-41,T
				...3	D532	0402-000546	DIODE-RECTIFIER;TVR10G,400V,1.0A,DO-41,T
				...3	D533	0402-000493	DIODE-RECTIFIER;1R5GU41,400V,1.5A,DO-15L
				...3	D561	0402-000546	DIODE-RECTIFIER;TVR10G,400V,1.0A,DO-41,T
				...3	D562	0402-000546	DIODE-RECTIFIER;TVR10G,400V,1.0A,DO-41,T
				...3	D563	0402-000493	DIODE-RECTIFIER;1R5GU41,400V,1.5A,DO-15L
				...3	DZ501	0403-000334	DIODE-ZENER;UZZ7B5A,2.7V,2.54-2.75V,500
				...3	DZ502	0403-000508	DIODE-ZENER;MTZJ5.6B,5.6V,5.45-5.73V,500
				...3	DZ503	0403-000708	DIODE-ZENER;MTZJ13B,13V,12.55-13.21V,500
				...3	DZ531	0403-001317	DIODE-ZENER;MTZJ3.0B,3.01-3.22V,500mW,DO
				...3	DZ532	0403-000508	DIODE-ZENER;MTZJ5.6B,5.6V,5.45-5.73V,500
				...3	DZ533	0403-000708	DIODE-ZENER;MTZJ13B,13V,12.55-13.21V,500
				...3	DZ561	0403-000334	DIODE-ZENER;UZZ7B5A,2.7V,2.54-2.75V,500
				...3	DZ562	0403-000508	DIODE-ZENER;MTZJ5.6B,5.6V,5.45-5.73V,500
				...3	DZ563	0403-000708	DIODE-ZENER;MTZJ13B,13V,12.55-13.21V,500
				...3	L501	2701-000114	INDUCTOR-AXIAL;10uH,10%,2.5x3.4mm
				...3	L531	2701-000114	INDUCTOR-AXIAL;10uH,10%,2.5x3.4mm
				...3	L561	2701-000114	INDUCTOR-AXIAL;10uH,10%,2.5x3.4mm
				...3	Q501	0502-000006	TR-POWER;KSC1507,NPN,15W,TO-220,TP,120-
				...3	Q502	0501-000389	TR-SMALL SIGNAL;KSC815,NPN,400mW,TO-92,T
				...3	Q504	0501-000283	TR-SMALL SIGNAL;KSA539,PNP,400mW,TO-92,T
				...3	Q531	0502-000006	TR-POWER;KSC1507,NPN,15W,TO-220,TP,120-
				...3	Q533	0501-000283	TR-SMALL SIGNAL;KSA539,PNP,400mW,TO-92,T
				...3	Q561	0502-000006	TR-POWER;KSC1507,NPN,15W,TO-220,TP,120-
				...3	Q563	0501-000283	TR-SMALL SIGNAL;KSA539,PNP,400mW,TO-92,T
				...3	R500	2001-000241	R-CARBON;1.5KOHM,5%,1/8W,AA,TP,1.8X3.2M
				...3	R502	2001-000995	R-CARBON;820OHM,5%,1/8W,AA,TP,1.8X3.2MM
				...3	R503	2001-000429	R-CARBON;1KOHM,5%,1/8W,AA,TP,1.8X3.2MM
				...3	R504	2001-000006	R-CARBON;2.4KOHM,5%,1/8W,AA,TP,1.8X3.2M
				...3	R505	2001-000362	R-CARBON;150OHM,5%,1/8W,AA,TP,1.8X3.2MM
				...3	R506	2001-001088	R-CARBON(S);1KOHM,5%,1/2W,AA,TP,2.4X6.4M
				...3	R507	2001-000429	R-CARBON;1KOHM,5%,1/8W,AA,TP,1.8X3.2MM
				...3	R508	2003-000738	R-METAL OXIDE(S);56Kohm,5%,2W,AA,TP,4x12
				...3	R509	2001-000734	R-CARBON;4.7KOHM,5%,1/8W,AA,TP,1.8X3.2M
				...3	R510	2001-001000	R-CARBON;82KOHM,5%,1/8W,AA,TP,1.8X3.2MM
				...3	R511	2001-000313	R-CARBON;11KOHM,5%,1/8W,AA,TP,1.8X3.2MM
				...3	R513	2008-000252	R-FUSIBLE(S);0.47ohm,10%,1/2W,AF,TP,2.5x
				...3	R514	2001-001122	R-CARBON(S);3.9KOHM,5%,1/2W,AA,TP,2.4X6.
				...3	R515	2002-001017	R-COMPOSITION;1Kohm,10%,1/2W,AA,TP,3.7x9
				...3	R516	2001-000009	R-CARBON;20KOHM,5%,1/8W,AA,TP,1.8X3.2MM
				...3	R517	2001-000085	R-CARBON(S);100KOHM,5%,1/2W,AA,TP,2.4X6.
				...3	R518	2002-001021	R-COMPOSITION;560KOHM,10%,1/2W,AA,TP,3.7
				...3	R519	2002-001021	R-COMPOSITION;560KOHM,10%,1/2W,AA,TP,3.7
				...3	R520	2001-000066	R-CARBON(S);10KOHM,5%,1/2W,AA,TP,2.4X6.4
				...3	R521	2001-001052	R-CARBON(S);1.5MOHM,5%,1/2W,AA,TP,2.4X6.
				...3	R522	2002-001006	R-COMPOSITION;4.7Kohm,5%,1/2W,AA,TP,3.7x
				...3	R523	2002-001006	R-COMPOSITION;4.7Kohm,5%,1/2W,AA,TP,3.7x
				...3	R524	2001-000028	R-CARBON(S);100OHM,5%,1/2W,AA,TP,2.4X6.4
				...3	R526	2001-000539	R-CARBON;24KOHM,5%,1/8W,AA,TP,1.8X3.2MM
				...3	R527	2001-000577	R-CARBON;2KOHM,5%,1/8W,AA,TP,1.8X3.2MM
				...3	R528	2001-001015	R-CARBON;9.1KOHM,5%,1/8W,AA,TP,1.8X3.2M
				...3	R529	2002-001021	R-COMPOSITION;560KOHM,10%,1/2W,AA,TP,3.7
				...3	R532	2001-000995	R-CARBON;820OHM,5%,1/8W,AA,TP,1.8X3.2MM
				...3	R533	2001-000429	R-CARBON;1KOHM,5%,1/8W,AA,TP,1.8X3.2MM
				...3	R536	2001-001088	R-CARBON(S);1KOHM,5%,1/2W,AA,TP,2.4X6.4M
				...3	R537	2001-000429	R-CARBON;1KOHM,5%,1/8W,AA,TP,1.8X3.2MM
				...3	R538	2003-000738	R-METAL OXIDE(S);56Kohm,5%,2W,AA,TP,4x12
				...3	R540	2001-000837	R-CARBON;51KOHM,5%,1/8W,AA,TP,1.8X3.2MM
<b>ASSY PCB CRT</b>							
1	*AA95-00970A	ASSY PCB CRT;-;P54A,54,U.S.A,PCL545R					
..2	C511	2201-000723	C-CERAMIC,DISC;4.7nF,20%,3KV,Y5U,TP,16x5				
..2	C541	2201-000723	C-CERAMIC,DISC;4.7nF,20%,3KV,Y5U,TP,16x5				
..2	C571	2201-000723	C-CERAMIC,DISC;4.7nF,20%,3KV,Y5U,TP,16x5				
..2	CN501	3711-003051	CONNECTOR-HEADER;BOX,8P,1R,2.5mm,STRAIGHT				
..2	CN502	3711-003052	CONNECTOR-HEADER;BOX,10P,1R,2.5mm,STRAGH				
..2	CN502B	3711-003052	CONNECTOR-HEADER;BOX,10P,1R,2.5mm,STRAGH				
..2	CN503	3711-003052	CONNECTOR-HEADER;BOX,10P,1R,2.5mm,STRAGH				
..2	CN503B	3711-003052	CONNECTOR-HEADER;BOX,10P,1R,2.5mm,STRAGH				
..2	CNW401	AA39-20027C	LEAD CONNECTOR-ASSY;6P,67096-006,S,500,				
..2	CNW501	AA39-00127B	LEAD CONNECTOR-ASSY;8P,35155-0800,S,600				
..2	CNW502	AA39-00112A	LEAD CONNECTOR-ASSY;10P,35155-1000,S,30				
..2	CNW503	AA39-00112A	LEAD CONNECTOR-ASSY;10P,35155-1000,S,30				
..2	FOCUS-	AA39-20115B	LEAD CONNECTOR-ASSY;1PBUSHING;-;700MM,				
..2	FOCUS-	AA39-20115A	LEAD CONNECTOR-ASSY;1PBUSHING,500,3239				
..2	FOCUS-	AA39-20115A	LEAD CONNECTOR-ASSY;1PBUSHING,500,3239				
..2	GBW-GN	3811-000446	WIRE-PVC CU;TCWA,600V,ROLL,17/0.16mm,#22,				
..2	GBW-SC	3811-000480	WIRE-PVC CU;BCWA,1KV,ROLL,17/0.16mm,#22,				
..2	GNDWIR	AA39-00198A	LEAD CONNECTOR ASSY;3PYFH800-03,YFH800				
..2	GRW-GN	3811-000446	WIRE-PVC CU;TCWA,600V,ROLL,17/0.16mm,#22,				
..2	GRW-SC	3811-000480	WIRE-PVC CU;BCWA,1KV,ROLL,17/0.16mm,#22,				
..2	IC501	AA96-50151B	ASSY-H/S;-;AMP,AA61-10060A,TDA6111Q,-				
..3		1201-001131	IC-VIDEO AMP;6111,SIP9P,-,SINGLE,-,PLAS				
..3		6001-000057	SCREW-MACHINE;RH,+M3,L6,ZPC(BLK),SWRCH1				
..3		6021-000222	NUT-HEXAGON;2C,M3,ZPC(YEL),SM20C 1				
..3		AA61-10060A	BRACKET-TR;W3220,CUS-1 1/2H,TO.5,-,-,-				
..2	IC531	AA96-50151B	ASSY-H/S;-;AMP,AA61-10060A,TDA6111Q,-				
..2	IC561	AA96-50151B	ASSY-H/S;-;AMP,AA61-10060A,TDA6111Q,-				
..2	PCB	AA41-00406A	PCB-CRT;PCL545R,FR-1,1L,A,1.6T,245X245				
..2	SG502	AA27-00084A	COIL;-S-23,-,-,-,-,-,S-23,5000Mohm				
..2	SG532	AA27-00084A	COIL;-S-23,-,-,-,-,-,S-23,5000Mohm				
..2	SG562	AA27-00084A	COIL;-S-23,-,-,-,-,-,S-23,5000Mohm				
..2	V501	3704-001019	SOCKET-CRT;10P,29.1PI,35.5PI,AU30U				
..2	V531	3704-001019	SOCKET-CRT;10P,29.1PI,35.5PI,AU30U				
..2	V561	3704-001019	SOCKET-CRT;10P,29.1PI,35.5PI,AU30U				
..2	VR501	2101-000321	VR-ROTARY;1Mohm,-,0.6W,SIDE				
..2	VR531	2101-000321	VR-ROTARY;1Mohm,-,0.6W,SIDE				
..2	VR561	2101-000321	VR-ROTARY;1Mohm,-,0.6W,SIDE				
..2		0202-000187	SOLDER-WIRE FLUX;-;RS60S,D1.2,63Sn/37Pb				
..2		3301-001201	CORE-FERRITE;AE,21x11x32mm,1500,280G				
..2		AA99-20087L	ASSY-PCB SUB,AUTO; AA95-00970A .V				S.N.A
...3	C502	2401-000027	C-AL;4.7uF,20%,50V,GP,TP,5x11,5				
...3	C503	2201-000119	C-CERAMIC,DISC;100nF,+80-20%,50V,Y5V,TP,				
...3	C504	2401-001537	C-AL;47uF,20%,25V,GP,TP,6.3x7mm,5mm				
...3	C505	2305-000149	C-FILM,MPEF;100nF,5%,100V,TP,12x12.5x6.5				
...3	C506	2401-000430	C-AL;10uF,20%,250V,GP,TP,10x16mm,5m				
...3	C507	2305-000154	C-FILM,MPEF;100nF,5%,400V,TP,21.5x6.5x11				
...3	C510	2401-000430	C-AL;1				

Loc. No.	Code No.	Description ; Specification	Remark	Loc. No.	Code No.	Description ; Specification	Remark	
...	R541	2001-000009	R-CARBON;20KOHM,5%,1/8W,AA,TP,1.8X3.2MM	...	1201-001026	IC-POWER AMP;7265,ZIP,1P,19.6MIL,DUAL,1		
...	R543	2008-000252	R-FUSIBLE(S);0.47ohm,10%,1/2W,AF,TP,2.5x	...	6003-000333	SCREW-TAPTITE;RH,+2S,M3,L10,ZPC(YEL),SW		
...	R544	2001-001122	R-CARBON(S);3.9KOHM,5%,1/2W,AA,TP,2.4X6.	...	AA62-30173E	HEAT-SINK;ES;-,-,T1.0,WHITE,SCREW-HOLE(1		
...	R545	2002-001017	R-COMPOSITION;1Kohm,10%,1/2W,AA,TP,3.7x9	.2	ICZ101	AA96-00110A	ASSY-H/S;-,-,AA62-30013K,SI-3050C,-	
...	R546	2001-000009	R-CARBON;20KOHM,5%,1/8W,AA,TP,1.8X3.2MM	.2	ICZ102	1203-000121	IC-NEGA.FIXED REG.;7906,TO-220,3P,-,PLAS	
...	R547	2001-000085	R-CARBON(S);100KOHM,5%,1/2W,AA,TP,2.4X6.	.2	L601	AA29-00004A	FILTER-LINE NOISE;-,-,20UH,3A,AC80-260V,TQ	
...	R548	2002-001021	R-COMPOSITION;560KOHM,10%,1/2W,AA,TP,3.7	.2	L602	AA27-10001C	COIL-CHOKE;-,-,100uH,K,-,5.0A,ST,700UH-K(R	
...	R549	2002-001021	R-COMPOSITION;560KOHM,10%,1/2W,AA,TP,3.7	.2	MI-BOT	AA63-00397B	SHIELD CASE-BOT;PRJT,P54A,SPT,TO.5,SOUN	
...	R550	2001-000066	R-CARBON(S);10KOHM,5%,1/2W,AA,TP,2.4X6.4	.2	MI-TOP	AA63-00396B	SHIELD CASE-TOP;PRJT,P54A,SPT,TO.5,SOUN	
...	R551	2001-001052	R-CARBON(S);1.5MOHM,5%,1/2W,AA,TP,2.4X6.	.2	SO-BOT	AA63-00397B	SHIELD CASE-BOT;PRJT,P54A,SPT,TO.5,SOUN	
...	R552	2002-001006	R-COMPOSITION;4.7Kohm,5%,1/2W,AA,TP,3.7x	.2	SO-TOP	AA63-00396B	SHIELD CASE-TOP;PRJT,P54A,SPT,TO.5,SOUN	
...	R553	2002-001006	R-COMPOSITION;4.7Kohm,5%,1/2W,AA,TP,3.7x	△.2	TU103S	AA59-00164A	MODULE-RF,SPLITTER;-,-,UMX-NT-005,-,ZIN/30	
...	R554	2001-000028	R-CARBON(S);1000HM,5%,1/2W,AA,TP,2.4X6.4	.2	WIRE	AA65-30018A	CLAMP-WIRE;NYLON-66;-,-,DATL-600,DONG-A,	
...	R555	2001-000734	R-CARBON;4.7KOHM,5%,1/8W,AA,TP,1.8X3.2M	.2		3301-001201	CORE-FERRITE;AE,21x11x32mm,1500,280G	
...	R556	2001-000007	R-CARBON;3KOHM,5%,1/8W,AA,TP,1.8X3.2MM	.2		AA99-30217G	ASSY-PCB ROBOT; AA94-03388D ER	S.N.A
...	R557	2001-000362	R-CARBON;1500HM,5%,1/8W,AA,TP,1.8X3.2MM	...	CN201	3711-003974	CONNECTOR-HEADER;BOX,12P,1R,2.5mm,STRAIG	
...	R559	2002-001015	R-COMPOSITION;47Kohm,5%,1/2W,AA,TP,3.7x9	...	CN501	3711-003051	CONNECTOR-HEADER;BOX,8P,1R,2.5mm,STRAIGHT	
...	R562	2001-000221	R-CARBON;1.2KOHM,5%,1/8W,AA,TP,1.8X3.2M	...	CN801	3711-003975	CONNECTOR-HEADER;BOX,14P,1R,2.5mm,STRAIG	
...	R563	2001-000995	R-CARBON;820OHM,5%,1/8W,AA,TP,1.8X3.2MM	...	CN901	3711-003973	CONNECTOR-HEADER;BOX,11P,1R,2.5mm,STRAIG	
...	R564	2001-000660	R-CARBON;33KOHM,5%,1/8W,AA,TP,1.8X3.2MM	...	CNZ02	3711-003052	CONNECTOR-HEADER;BOX,10P,1R,2.5mm,STRAIG	
...	R566	2001-001088	R-CARBON(S);1KOHM,5%,1/2W,AA,TP,2.4X6.4M	...	IC103	AA96-50147B	ASSY-H/S;-,-,TR,AA62-30012B,KA7808,-	
...	R567	2001-000429	R-CARBON;1KOHM,5%,1/8W,AA,TP,1.8X3.2MM	.4		1203-000293	IC-POSI.FIXED REG.;7808,TO-220,3P,-,PLAS	
...	R568	2001-000734	R-CARBON;4.7KOHM,5%,1/8W,AA,TP,1.8X3.2M	.4		6003-000333	SCREW-TAPTITE;RH,+2S,M3,L10,ZPC(YEL),SW	
...	R569	2001-000472	R-CARBON;2.7KOHM,5%,1/8W,AA,TP,1.8X3.2M	.4		AA62-30012B	HEAT SINK-ES;-,-,A6063 EXTR,-,-,45(16) T02	
...	R570	2001-000362	R-CARBON;1500HM,5%,1/8W,AA,TP,1.8X3.2MM	.3	IC107	AA96-00111L	ASSY-H/S;-,-,AA62-30013L,KA78R12,-	
...	R571	2001-000281	R-CARBON;1000HM,5%,1/8W,AA,TP,1.8X3.2MM	.4		1203-000165	IC-POSI.ADJUST REG.;78R12,TO-220,3P,-,	
...	R572	2003-000738	R-METAL OXIDE(S);56Kohm,5%,2W,AA,TP,4x12	.4		6003-000333	SCREW-TAPTITE;RH,+2S,M3,L10,ZPC(YEL),SW	
...	R573	2008-000252	R-FUSIBLE(S);0.47ohm,10%,1/2W,AF,TP,2.5x	.4		AA62-30013L	HEATSINK-ES;-,-,44/22,-,WHT,-,-,-,-	
...	R574	2001-001122	R-CARBON(S);3.9KOHM,5%,1/2W,AA,TP,2.4X6.	△.3	TU101S	AA40-00032A	TUNER-F/S;TCPN3081PC09A(S),NTSC,TR,181CH	
...	R575	2002-001017	R-COMPOSITION;1Kohm,10%,1/2W,AA,TP,3.7x9	△.3	TU102S	AA40-00032A	TUNER-F/S;TCPN3081PC09A(S),NTSC,TR,181CH	
...	R576	2001-000009	R-CARBON;20KOHM,5%,1/8W,AA,TP,1.8X3.2MM	.3		AA99-10211S	ASSY-PCB MAIN,AUTO; AA99-30217G V	S.N.A
...	R577	2001-000085	R-CARBON(S);100KOHM,5%,1/2W,AA,TP,2.4X6.	.4	C100	2401-001397	C-AL;470uF,20%,25V,GP,TP,10x16,5	
...	R578	2002-001021	R-COMPOSITION;560KOHM,10%,1/2W,AA,TP,3.7	.4	C101	2401-001397	C-AL;470uF,20%,25V,GP,TP,10x16,5	
...	R579	2002-001021	R-COMPOSITION;560KOHM,10%,1/2W,AA,TP,3.7	.4	C102	2401-000611	C-AL;1uF,20%,50V,WT,TP,5x11,5	
...	R580	2001-000066	R-CARBON(S);10KOHM,5%,1/2W,AA,TP,2.4X6.4	.4	C103	2401-000302	C-AL;100uF,20%,25V,GP,TP,6.3x11,5	
...	R581	2001-001052	R-CARBON(S);1.5MOHM,5%,1/2W,AA,TP,2.4X6.	.4	C104	2401-000603	C-AL;1uF,20%,50V,GP,TP,5x11,5	
...	R582	2002-001006	R-COMPOSITION;4.7Kohm,5%,1/2W,AA,TP,3.7x	.4	C105	2401-000302	C-AL;100uF,20%,25V,GP,TP,6.3x11,5	
...	R583	2002-001006	R-COMPOSITION;4.7Kohm,5%,1/2W,AA,TP,3.7x	.4	C106	2401-002463	C-AL;470uF,20%,16V,GP,TP,8x11,5,5	
...	R584	2001-000028	R-CARBON(S);1000HM,5%,1/2W,AA,TP,2.4X6.4	.4	C107	2401-002463	C-AL;470uF,20%,16V,GP,TP,8x11,5,5	
...	R589	2002-001015	R-COMPOSITION;47Kohm,5%,1/2W,AA,TP,3.7x9	.4	C110	2301-000383	C-FILM,PEF;10nF,5%,50V,TP,6x7x3.2mm,5mm	
...	SG351	4715-001036	SURGE ABSORBER;500V,20%,-,-,TP	.4	C111	2201-000180	C-CERAMIC,DISC;10nF,10%,50V,Y5V,TP,7x3,5	
...	SG501	4715-001036	SURGE ABSORBER;500V,20%,-,-,TP	.4	C117	2201-000119	C-CERAMIC,DISC;100nF,+80-20%,50V,Y5V,TP	
...	SG503	4715-001036	SURGE ABSORBER;500V,20%,-,-,TP	.4	C118	2305-000665	C-FILM,MPEF;100nF,5%,63V,TP,7.5x4.0x5.0m	
...	SG533	4715-001036	SURGE ABSORBER;500V,20%,-,-,TP	.4	C119	2301-000383	C-FILM,PEF;10nF,5%,50V,TP,6x7x3.2mm,5mm	
...	SG561	4715-001036	SURGE ABSORBER;500V,20%,-,-,TP	.4	C120	2301-000383	C-FILM,PEF;10nF,5%,50V,TP,6x7x3.2mm,5mm	
...	SG563	4715-001036	SURGE ABSORBER;500V,20%,-,-,TP	.4	C121	2301-000383	C-FILM,PEF;10nF,5%,50V,TP,6x7x3.2mm,5mm	
				.4	C122	2301-000383	C-FILM,PEF;10nF,5%,50V,TP,6x7x3.2mm,5mm	
				.4	C123	2305-000665	C-FILM,MPEF;100nF,5%,63V,TP,7.5x4.0x5.0m	
				.4	C124	2305-000665	C-FILM,MPEF;100nF,5%,63V,TP,7.5x4.0x5.0m	
				.4	C125	2305-000665	C-FILM,MPEF;100nF,5%,63V,TP,7.5x4.0x5.0m	
				.4	C126	2301-000383	C-FILM,PEF;10nF,5%,50V,TP,6x7x3.2mm,5mm	
				.4	C127	2305-000665	C-FILM,MPEF;100nF,5%,63V,TP,7.5x4.0x5.0m	
				.4	C128	2201-000119	C-CERAMIC,DISC;100nF,+80-20%,50V,Y5V,TP	
				.4	C129	2401-001840	C-AL;100uF,20%,16V,GP,TP,6.3x11,5	
				.4	C130	2401-001840	C-AL;100uF,20%,16V,GP,TP,6.3x11,5	
.2	C664	2401-001068	C-AL;3300uF,20%,50V,GP,BK,22x40,10	.4	C131	2301-000383	C-FILM,PEF;10nF,5%,50V,TP,6x7x3.2mm,5mm	
.2	C665	2401-000737	C-AL;2200uF,20%,50V,GP,TP,18x35,5,7	.4	C132	2401-000302	C-AL;100uF,20%,25V,GP,TP,6.3x11,5	
.2	CG-BOT	AA63-00397B	SHIELD CASE-BOT;PRJT,P54A,SPT,TO.5,SOUN	.4	C133	2305-000665	C-FILM,MPEF;100nF,5%,63V,TP,7.5x4.0x5.0m	
.2	CG-TOP	AA63-00396B	SHIELD CASE-TOP;PRJT,P54A,SPT,TO.5,SOUN	.4	C134	2305-000665	C-FILM,MPEF;100nF,5%,63V,TP,7.5x4.0x5.0m	
.2	CN01	3703-001150	CONNECTOR-DIN;32P,2R,FEMALE,STRAIGHT,AUF	.4	C135	2401-003034	C-AL;220uF,20%,16V,WT,TP,8x11,5,5	
.2	CN02	3703-001150	CONNECTOR-DIN;32P,2R,FEMALE,STRAIGHT,AUF	.4	C136	2401-002463	C-AL;470uF,20%,16V,GP,TP,8x11,5,5	
.2	CNM01	3703-001187	CONNECTOR-DIN;64P,2R,FEMALE,STRAIGHT,AU	.4	C137	2401-001397	C-AL;470uF,20%,25V,GP,TP,10x16,5	
.2	CNS01	3703-001187	CONNECTOR-DIN;64P,2R,FEMALE,STRAIGHT,AU	.4	C138	2401-000832	C-AL;220uF,20%,25V,GP,TP,8x11,5,5	
.2	CNT01	3710-001208	CONNECTOR-SOCKET;32P,2R,2.54mm,STRAIGHT,	.4	C140	2305-000665	C-FILM,MPEF;100nF,5%,63V,TP,7.5x4.0x5.0m	
.2	CNT02	3710-001208	CONNECTOR-SOCKET;32P,2R,2.54mm,STRAIGHT,	.4	C142	2401-002619	C-AL;47uF,20%,25V,GP,TP,5x11,5	
.2	CNZ01	3703-001150	CONNECTOR-DIN;32P,2R,FEMALE,STRAIGHT,AUF	.4	C144	2202-000632	C-CERAMIC,MLC-AXIAL;100nF,20%,50V,Z5U,TP	
.2	DW-BOT	AA63-00395B	SHIELD CASE-BOT;PRJT,P54A,SPT,TO.5,D/W	.4	C145	2202-000632	C-CERAMIC,MLC-AXIAL;100nF,20%,50V,Z5U,TP	
.2	DW-TOP	AA63-00394B	SHIELD CASE-TOP;PRJT,P54A,SPT,TO.5,D/W	.4	C146	2202-000632	C-CERAMIC,MLC-AXIAL;100nF,20%,50V,Z5U,TP	
.2	IC102	AA96-00110C	ASSY-H/S;-,-,AA62-30013K,SI-3090C,-	.4	C147	2202-000632	C-CERAMIC,MLC-AXIAL;100nF,20%,50V,Z5U,TP	
...		1203-000577	IC-VOLTAGE REGULATOR;3090,ZIP,5P,-,PLASTI	.4	C149	2202-000632	C-CERAMIC,MLC-AXIAL;100nF,20%,50V,Z5U,TP	
...		6003-000333	SCREW-TAPTITE;RH,+2S,M3,L10,ZPC(YEL),SW	.4	C150	2202-000632	C-CERAMIC,MLC-AXIAL;100nF,20%,50V,Z5U,TP	
...		AA62-30013K	HEATSINK-ES;-,-,44/18,-,WHT,A6063 EX	.4	C151	2202-000632	C-CERAMIC,MLC-AXIAL;100nF,20%,50V,Z5U,TP	
.2	IC104	AA96-00110A	ASSY-H/S;-,-,AA62-30013K,SI-3050C,-	.4	C152	2202-000632	C-CERAMIC,MLC-AXIAL;100nF,20%,50V,Z5U,TP	
...		1203-000203	IC-POSI.ADJUST REG.;3050,TO-220,5P,-,PLA	.4	C154	2201-000119	C-CERAMIC,DISC;100nF,+80-20%,50V,Y5V,TP	
...		6003-000333	SCREW-TAPTITE;RH,+2S,M3,L10,ZPC(YEL),SW	.4	C155	2201-000119	C-CERAMIC,DISC;100nF,+80-20%,50V,Y5V,TP	
...		AA62-30013K	HEATSINK-ES;-,-,44/18,-,WHT,A6063 EX	.4	C157	2202-000632	C-CERAMIC,MLC-AXIAL;100nF,20%,50V,Z5U,TP	
.2	IC106	AA96-00110A	ASSY-H/S;-,-,AA62-30013K,SI-3050C,-	.4				
.2	IC655	AA96-00038A	ASSY-H/S;-,-,SOUND AMP;AA62-30173E,TDA726	.4				
...		0205-000129	GREASE-SILICON;SC102,JAPAN	.4				

**ASSY PCB MAIN(OPT)**

1 \*AA94-03388D ASSY PCB MAIN(OPT);PCL5415RX/XAA,P54A,U.





Electrical Parts List

Loc. No.	Code No.	Description ; Specification	Remark	Loc. No.	Code No.	Description ; Specification	Remark
....4	CC25	2203-005590	C-CERAMIC,CHIP;330NF,10%,16V,X7R,TP,2012	....4	DC16	2401-001496	C-AL;47uF,20%,16V,GP,TP,5x7,5
....4	CC26	2203-005590	C-CERAMIC,CHIP;330NF,10%,16V,X7R,TP,2012	....4	DC17	2401-002009	C-AL;100uF,20%,16V,GP,TP,6.3x7,5
....4	CC27	2203-005590	C-CERAMIC,CHIP;330NF,10%,16V,X7R,TP,2012	....4	DC18	2203-000181	C-CERAMIC,CHIP;100nF,+80-20%,25V,Y5V,TP,
....4	CC28	2401-001496	C-AL;47uF,20%,16V,GP,TP,5x7,5	....4	DC19	2401-002009	C-AL;100uF,20%,16V,GP,TP,6.3x7,5
....4	CC29	2203-001603	C-CERAMIC,CHIP;220nF,10%,16V,X7R,TP,2012	....4	DC20	2203-000181	C-CERAMIC,CHIP;100nF,+80-20%,25V,Y5V,TP,
....4	CC30	2203-000140	C-CERAMIC,CHIP;1.5nF,10%,50V,X7R,TP,1608	....4	DC21	2203-001083	C-CERAMIC,CHIP;0.005nF,0.1pF,50V,NPO,TP,
....4	CC31	2203-000838	C-CERAMIC,CHIP;0.39nF,5%,50V,NPO,TP,1608	....4	DC22	2203-001083	C-CERAMIC,CHIP;0.005nF,0.1pF,50V,NPO,TP,
....4	CC32	2401-002183	C-AL;220uF,20%,16V,GP,TP,8x9,5mm	....4	DC23	2203-002494	C-CERAMIC,CHIP;470nF,10%,16V,X7R,TP,2012
....4	CC33	2203-000975	C-CERAMIC,CHIP;47nF,10%,25V,X7R,TP,1608	....4	DC24	2203-001656	C-CERAMIC,CHIP;0.47nF,5%,50V,NPO,TP,1608
....4	CC35	2203-005590	C-CERAMIC,CHIP;330NF,10%,16V,X7R,TP,2012	....4	DC25	2203-000440	C-CERAMIC,CHIP;1nF,10%,50V,X7R,TP,1608,-
....4	CC36	2203-005590	C-CERAMIC,CHIP;330NF,10%,16V,X7R,TP,2012	....4	DC26	2203-000440	C-CERAMIC,CHIP;1nF,10%,50V,X7R,TP,1608,-
....4	CC37	2203-000681	C-CERAMIC,CHIP;0.027nF,5%,50V,NPO,TP,160	....4	DC27	2401-000598	C-AL;1uF,20%,50V,GP,TP,4x7,5
....4	CC38	2203-000681	C-CERAMIC,CHIP;0.027nF,5%,50V,NPO,TP,160	....4	DC28	2203-000181	C-CERAMIC,CHIP;100nF,+80-20%,25V,Y5V,TP,
....4	CC39	2203-000681	C-CERAMIC,CHIP;0.027nF,5%,50V,NPO,TP,160	....4	DC29	2203-000440	C-CERAMIC,CHIP;1nF,10%,50V,X7R,TP,1608,-
....4	CC40	2203-000681	C-CERAMIC,CHIP;0.027nF,5%,50V,NPO,TP,160	....4	DC30	2203-000440	C-CERAMIC,CHIP;1nF,10%,50V,X7R,TP,1608,-
....4	CC41	2203-000988	C-CERAMIC,CHIP;0.047nF,5%,50V,NPO,TP,160	....4	DC31	2203-000440	C-CERAMIC,CHIP;1nF,10%,50V,X7R,TP,1608,-
....4	CC42	2401-001496	C-AL;47uF,20%,16V,GP,TP,5x7,5	....4	DC32	2203-000181	C-CERAMIC,CHIP;100nF,+80-20%,25V,Y5V,TP,
....4	CC43	2203-000181	C-CERAMIC,CHIP;100nF,+80-20%,25V,Y5V,TP,	....4	DC33	2203-000181	C-CERAMIC,CHIP;100nF,+80-20%,25V,Y5V,TP,
....4	CC44	2401-001496	C-AL;47uF,20%,16V,GP,TP,5x7,5	....4	DC34	2203-000998	C-CERAMIC,CHIP;0.047nF,5%,50V,NPO,TP,160
....4	CC45	2401-000486	C-AL;10uF,20%,50V,GP,TP,6.3x7mm,5	....4	DC35	2203-000181	C-CERAMIC,CHIP;100nF,+80-20%,25V,Y5V,TP,
....4	CC47	2203-000181	C-CERAMIC,CHIP;100nF,+80-20%,25V,Y5V,TP,	....4	DC36	2203-000236	C-CERAMIC,CHIP;0.1nF,5%,50V,NPO,TP,1608
....4	CC48	2203-005384	C-CERAMIC,CHIP;4700nF,+80-20%,10V,Y5V,TP	....4	DC37	2203-000140	C-CERAMIC,CHIP;1.5nF,10%,50V,X7R,TP,1608
....4	CC49	2203-005384	C-CERAMIC,CHIP;4700nF,+80-20%,10V,Y5V,TP	....4	DC38	2203-000236	C-CERAMIC,CHIP;0.1nF,5%,50V,NPO,TP,1608
....4	CC50	2203-005384	C-CERAMIC,CHIP;4700nF,+80-20%,10V,Y5V,TP	....4	DC39	2401-000598	C-AL;1uF,20%,50V,GP,TP,4x7,5
....4	CD01	0401-000133	DIODE-SWITCHING;RLS4148,100V,200mA,SOD-8	....4	DD01	0401-000133	DIODE-SWITCHING;RLS4148,100V,200mA,SOD-8
....4	CD02	0401-000133	DIODE-SWITCHING;RLS4148,100V,200mA,SOD-8	....4	DD02	0401-000133	DIODE-SWITCHING;RLS4148,100V,200mA,SOD-8
....4	CF01	2901-001120	FILTER-EMI SMD;25V,100mA,-,-,3.2x1.6x1,T	....4	DD03	0403-000689	DIODE-ZENER;DTZ5.1A,5.1V,4.84-5.04V,200m
....4	CF02	2901-001120	FILTER-EMI SMD;25V,100mA,-,-,3.2x1.6x1,T	....4	DD06	0403-000689	DIODE-ZENER;DTZ5.1A,5.1V,4.84-5.04V,200m
....4	CL03	3301-001186	CORE-FERRITE BEAD;AB,600ohm,3.2x1.6x1.3m	....4	DD07	0401-000133	DIODE-SWITCHING;RLS4148,100V,200mA,SOD-8
....4	CL05	3301-001324	CORE-FERRITE BEAD;AB,150HM,2X1.25X0.9MM,	....4	DL05	3301-001324	CORE-FERRITE BEAD;AB,150HM,2X1.25X0.9MM,
....4	CL06	3301-001324	CORE-FERRITE BEAD;AB,150HM,2X1.25X0.9MM,	....4	DL06	3301-001324	CORE-FERRITE BEAD;AB,150HM,2X1.25X0.9MM,
....4	CL07	3301-001324	CORE-FERRITE BEAD;AB,150HM,2X1.25X0.9MM,	....4	DL07	2702-001092	INDUCTOR-RADIAL;2.2uH,10%,6x4mm
....4	CQ01	0501-000344	TR-SMALL SIGNAL;KSC1623-G,NPN,200mW,SOT-	....4	DQ01	0501-000280	TR-SMALL SIGNAL;KSA1182,PNP,150mW,SOT-23
....4	CQ02	0501-000344	TR-SMALL SIGNAL;KSC1623-G,NPN,200mW,SOT-	....4	DR16	2007-000074	R-CHIP;100ohm,5%,1/16W,DA,TP,1608
....4	CQ03	0501-000344	TR-SMALL SIGNAL;KSC1623-G,NPN,200mW,SOT-	....4	DR17	2007-000074	R-CHIP;100ohm,5%,1/16W,DA,TP,1608
....4	CQ04	0501-000344	TR-SMALL SIGNAL;KSC1623-G,NPN,200mW,SOT-	....4	DR18	2007-000101	R-CHIP;82Kohm,5%,1/16W,DA,TP,1608
....4	CQ05	0501-000344	TR-SMALL SIGNAL;KSC1623-G,NPN,200mW,SOT-	....4	DR19	2007-000072	R-CHIP;47ohm,5%,1/16W,DA,TP,1608
....4	CR01	2007-001166	R-CHIP;750HM,5%,1/10W,DA,TP,2012	....4	DR20	2007-000081	R-CHIP;2.7Kohm,5%,1/16W,DA,TP,1608
....4	CR02	2007-001166	R-CHIP;750HM,5%,1/10W,DA,TP,2012	....4	DR22	2007-000084	R-CHIP;4.7Kohm,5%,1/16W,DA,TP,1608
....4	CR03	2007-001166	R-CHIP;750HM,5%,1/10W,DA,TP,2012	....4	DR23	2007-000097	R-CHIP;47Kohm,5%,1/16W,DA,TP,1608
....4	CR04	2007-001166	R-CHIP;750HM,5%,1/10W,DA,TP,2012	....4	DR24	2007-000100	R-CHIP;68Kohm,5%,1/16W,DA,TP,1608
....4	CR05	2007-001167	R-CHIP;75ohm,5%,1/16W,DA,TP,1608	....4	DR25	2007-000129	R-CHIP;27Kohm,5%,1/16W,DA,TP,1608
....4	CR06	2007-001167	R-CHIP;75ohm,5%,1/16W,DA,TP,1608	....4	DR26	2007-000090	R-CHIP;10Kohm,5%,1/16W,DA,TP,1608
....4	CR07	2007-001167	R-CHIP;75ohm,5%,1/16W,DA,TP,1608	....4	DR27	2007-000127	R-CHIP;9.1Kohm,5%,1/16W,DA,TP,1608
....4	CR08	2007-001167	R-CHIP;75ohm,5%,1/16W,DA,TP,1608	....4	DR29	2007-000078	R-CHIP;1Kohm,5%,1/16W,DA,TP,1608
....4	CR09	2007-000074	R-CHIP;100ohm,5%,1/16W,DA,TP,1608	....4	DR30	2007-000078	R-CHIP;1Kohm,5%,1/16W,DA,TP,1608
....4	CR10	2007-000074	R-CHIP;100ohm,5%,1/16W,DA,TP,1608	....4	DR31	2007-000078	R-CHIP;1Kohm,5%,1/16W,DA,TP,1608
....4	CR12	2007-000072	R-CHIP;47ohm,5%,1/16W,DA,TP,1608	....4	DR32	2007-000118	R-CHIP;390ohm,5%,1/16W,DA,TP,1608
....4	CR13	2007-000072	R-CHIP;47ohm,5%,1/16W,DA,TP,1608	....4	DR33	2007-000078	R-CHIP;1Kohm,5%,1/16W,DA,TP,1608
....4	CR14	2007-000072	R-CHIP;47ohm,5%,1/16W,DA,TP,1608	....4	DR34	2007-000074	R-CHIP;100ohm,5%,1/16W,DA,TP,1608
....4	CR15	2007-000029	R-CHIP;00HM,5%,1/10W,DA,TP,2012	....4	DR35	2007-000084	R-CHIP;4.7Kohm,5%,1/16W,DA,TP,1608
....4	CR16	2007-000029	R-CHIP;00HM,5%,1/10W,DA,TP,2012	....4	DR36	2007-000077	R-CHIP;470ohm,5%,1/16W,DA,TP,1608
....4	CR20	2007-000074	R-CHIP;100ohm,5%,1/16W,DA,TP,1608	....4	DR37	2007-000084	R-CHIP;4.7Kohm,5%,1/16W,DA,TP,1608
....4	CR22	2007-000074	R-CHIP;100ohm,5%,1/16W,DA,TP,1608	....4	DR38	2007-000079	R-CHIP;1.8Kohm,5%,1/16W,DA,TP,1608
....4	CR25	2007-001166	R-CHIP;750HM,5%,1/10W,DA,TP,2012	....4	DR40	2007-000074	R-CHIP;100ohm,5%,1/16W,DA,TP,1608
....4	CR27	2007-000074	R-CHIP;100ohm,5%,1/16W,DA,TP,1608	....4	DR41	2007-000074	R-CHIP;100ohm,5%,1/16W,DA,TP,1608
....4	CR28	2007-000078	R-CHIP;1Kohm,5%,1/16W,DA,TP,1608	....4	DR44	2007-000084	R-CHIP;4.7Kohm,5%,1/16W,DA,TP,1608
....4	CR29	2007-000124	R-CHIP;2.2Kohm,5%,1/16W,DA,TP,1608	....4	DR46	2007-000124	R-CHIP;2.2Kohm,5%,1/16W,DA,TP,1608
....4	CR30	2007-000119	R-CHIP;560ohm,5%,1/16W,DA,TP,1608	....4	IC01	1204-001598	IC-VIDEO PROCESS;VPC3230D-B2,QFP,80P,-P
....4	CR31	2007-000643	R-CHIP;270ohm,5%,1/16W,DA,TP,1608	....4	IC02	1204-001623	IC-VERTICAL PROCESS;SDA9400,QFP,64P,-P
....4	CR32	2007-000290	R-CHIP;100OHM,5%,1/10W,DA,TP,2012	....4	IC03	1002-001045	IC-D/A CONVERTER;9280,8BIT,PLCC,68P,-,-
....4	CR33	2007-000290	R-CHIP;100OHM,5%,1/10W,DA,TP,2012	....4	IC06	1204-001372	IC-HOR./VER.PROCESSO;SDA9361,QFP,44P,-P
....4	CR35	2007-000090	R-CHIP;10Kohm,5%,1/16W,DA,TP,1608	....4	IC07	1204-001550	IC-VIDEO PROCESS;CXA2101AQ,QFP,80P,-PLA
....4	CR37	2007-000074	R-CHIP;100ohm,5%,1/16W,DA,TP,1608	....4	IC11	1203-001419	IC-VOLTAGE REGULATOR;4931,TO-252,3P,6.6x
....4	CR38	2007-000074	R-CHIP;100ohm,5%,1/16W,DA,TP,1608	....4	IC12	1203-001140	IC-VOL. DETECTOR;7039,TO-92P,3P,-PLASTI
....4	CR45	2007-000074	R-CHIP;100ohm,5%,1/16W,DA,TP,1608	....4	IC13	1203-001419	IC-VOLTAGE REGULATOR;4931,TO-252,3P,6.6x
....4	CR46	2007-000078	R-CHIP;1Kohm,5%,1/16W,DA,TP,1608	....4	PC01	2203-001603	C-CERAMIC,CHIP;220nF,10%,16V,X7R,TP,2012
....4	CR47	2007-000097	R-CHIP;47Kohm,5%,1/16W,DA,TP,1608	....4	PC02	2203-000140	C-CERAMIC,CHIP;1.5nF,10%,50V,X7R,TP,1608
....4	CR48	2007-000097	R-CHIP;47Kohm,5%,1/16W,DA,TP,1608	....4	PC03	2203-000838	C-CERAMIC,CHIP;0.39nF,5%,50V,NPO,TP,1608
....4	CR49	2007-000077	R-CHIP;470ohm,5%,1/16W,DA,TP,1608	....4	PC04	2203-000181	C-CERAMIC,CHIP;100nF,+80-20%,25V,Y5V,TP,
....4	CR50	2007-000097	R-CHIP;47Kohm,5%,1/16W,DA,TP,1608	....4	PC05	2203-000975	C-CERAMIC,CHIP;47nF,10%,25V,X7R,TP,1608,
....4	CR51	2007-000097	R-CHIP;47Kohm,5%,1/16W,DA,TP,1608	....4	PC06	2203-000140	C-CERAMIC,CHIP;1.5nF,10%,50V,X7R,TP,1608
....4	CR52	2007-000077	R-CHIP;470ohm,5%,1/16W,DA,TP,1608	....4	PC07	2203-000181	C-CERAMIC,CHIP;100nF,+80-20%,25V,Y5V,TP,
....4	CR53	2007-000097	R-CHIP;47Kohm,5%,1/16W,DA,TP,1608	....4	PC08	2203-000181	C-CERAMIC,CHIP;100nF,+80-20%,25V,Y5V,TP,
....4	CR54	2007-000097	R-CHIP;47Kohm,5%,1/16W,DA,TP,1608	....4	PC09	2203-000181	C-CERAMIC,CHIP;100nF,+80-20%,25V,Y5V,TP,
....4	CR55	2007-000077	R-CHIP;470ohm,5%,1/16W,DA,TP,1608	....4	PC10	2203-000181	C-CERAMIC,CHIP;100nF,+80-20%,25V,Y5V,TP,
....4	CR56	2007-000029	R-CHIP;00HM,5%,1/10W,DA,TP,2012	....4	PC11	2203-000181	C-CERAMIC,CHIP;100nF,+80-20%,25V,Y5V,TP,

Loc. No.	Code No.	Description ; Specification	Remark	Loc. No.	Code No.	Description ; Specification	Remark
...4	PC12	2203-001646	C-CERAMIC,CHIP;3pF,0.5pF,50V,NPO,TP,2012	...4	SC25	2203-000140	C-CERAMIC,CHIP;1.5nF,10%,50V,X7R,TP,1608
...4	PC13	2203-001646	C-CERAMIC,CHIP;3pF,0.5pF,50V,NPO,TP,2012	...4	SC26	2203-000236	C-CERAMIC,CHIP;0.1nF,5%,50V,NPO,TP,1608
...4	PC14	2401-002183	C-AL;220uF,20%,16V,GP,TP;8x9,5mm	...4	SC27	2203-000181	C-CERAMIC,CHIP;100nF,+80-20%,25V,Y5V,TP
...4	PC15	2203-000975	C-CERAMIC,CHIP;47nF,10%,25V,X7R,TP,1608,	...4	SC28	2203-000552	C-CERAMIC,CHIP;0.02nF,5%,50V,NPO,TP,1608
...4	PC16	2401-002144	C-AL;47uF,20%,16V,GP,TP;5x11,5	...4	SC29	2203-000181	C-CERAMIC,CHIP;100nF,+80-20%,25V,Y5V,TP
...4	PC17	2203-001603	C-CERAMIC,CHIP;220nF,10%,16V,X7R,TP,2012	...4	SC30	2401-000480	C-AL;10uF,20%,50V,GP,TP;5x11,5
...4	PC18	2203-000140	C-CERAMIC,CHIP;1.5nF,10%,50V,X7R,TP,1608	...4	SC31	2401-000480	C-AL;10uF,20%,50V,GP,TP;5x11,5
...4	PC19	2203-000838	C-CERAMIC,CHIP;0.39nF,5%,50V,NPO,TP,1608	...4	SC32	2203-000181	C-CERAMIC,CHIP;100nF,+80-20%,25V,Y5V,TP
...4	PC20	2203-000440	C-CERAMIC,CHIP;1nF,10%,50V,X7R,TP,1608,-	...4	SC33	2203-000552	C-CERAMIC,CHIP;0.02nF,5%,50V,NPO,TP,1608
...4	PC21	2203-005590	C-CERAMIC,CHIP;330NF,10%,16V,X7R,TP,2012	...4	SC34	2203-000181	C-CERAMIC,CHIP;100nF,+80-20%,25V,Y5V,TP
...4	PC22	2203-005590	C-CERAMIC,CHIP;330NF,10%,16V,X7R,TP,2012	...4	SC35	2203-000181	C-CERAMIC,CHIP;100nF,+80-20%,25V,Y5V,TP
...4	PC23	2401-001496	C-AL;47uF,20%,16V,GP,TP;5x7,5	...4	SC36	2401-000480	C-AL;10uF,20%,50V,GP,TP;5x11,5
...4	PC24	2203-001603	C-CERAMIC,CHIP;220nF,10%,16V,X7R,TP,2012	...4	SC37	2203-000181	C-CERAMIC,CHIP;100nF,+80-20%,25V,Y5V,TP
...4	PC25	2203-000140	C-CERAMIC,CHIP;1.5nF,10%,50V,X7R,TP,1608	...4	SC38	2203-000552	C-CERAMIC,CHIP;0.02nF,5%,50V,NPO,TP,1608
...4	PC26	2203-000838	C-CERAMIC,CHIP;0.39nF,5%,50V,NPO,TP,1608	...4	SC51	2401-001496	C-AL;47uF,20%,16V,GP,TP;5x7,5
...4	PC27	2401-002183	C-AL;220uF,20%,16V,GP,TP;8x9,5mm	...4	SC52	2203-000181	C-CERAMIC,CHIP;100nF,+80-20%,25V,Y5V,TP
...4	PC28	2203-000975	C-CERAMIC,CHIP;47nF,10%,25V,X7R,TP,1608,	...4	SC53	2401-001496	C-AL;47uF,20%,16V,GP,TP;5x7,5
...4	PC29	2203-000181	C-CERAMIC,CHIP;100nF,+80-20%,25V,Y5V,TP	...4	SC54	2203-000181	C-CERAMIC,CHIP;100nF,+80-20%,25V,Y5V,TP
...4	PC30	2203-000181	C-CERAMIC,CHIP;100nF,+80-20%,25V,Y5V,TP	...4	SF01	2901-001120	FILTER-EMI SMD;25V,100mA,-,-,3.2x1.6x1,T
...4	PC31	2203-000181	C-CERAMIC,CHIP;100nF,+80-20%,25V,Y5V,TP	...4	SL01	3301-001324	CORE-FERRITE BEAD;AB,150HM,2X1.25X0.9MM,
...4	PC32	2203-000181	C-CERAMIC,CHIP;100nF,+80-20%,25V,Y5V,TP	...4	SL02	3301-001324	CORE-FERRITE BEAD;AB,150HM,2X1.25X0.9MM,
...4	PC33	2203-000181	C-CERAMIC,CHIP;100nF,+80-20%,25V,Y5V,TP	...4	SL03	3301-001324	CORE-FERRITE BEAD;AB,150HM,2X1.25X0.9MM,
...4	PC34	2203-000181	C-CERAMIC,CHIP;100nF,+80-20%,25V,Y5V,TP	...4	SL04	3301-001324	CORE-FERRITE BEAD;AB,150HM,2X1.25X0.9MM,
...4	PC35	2203-000181	C-CERAMIC,CHIP;100nF,+80-20%,25V,Y5V,TP	...4	SL05	3301-001324	CORE-FERRITE BEAD;AB,150HM,2X1.25X0.9MM,
...4	PC36	2203-000181	C-CERAMIC,CHIP;100nF,+80-20%,25V,Y5V,TP	...4	SL06	3301-001324	CORE-FERRITE BEAD;AB,150HM,2X1.25X0.9MM,
...4	PC37	2203-000181	C-CERAMIC,CHIP;100nF,+80-20%,25V,Y5V,TP	...4	SL08	3301-001324	CORE-FERRITE BEAD;AB,150HM,2X1.25X0.9MM,
...4	PC38	2203-000181	C-CERAMIC,CHIP;100nF,+80-20%,25V,Y5V,TP	...4	SL09	3301-001186	CORE-FERRITE BEAD;AB,600ohm,3.2x1.6x1.3m
...4	PC39	2203-000181	C-CERAMIC,CHIP;100nF,+80-20%,25V,Y5V,TP	...4	SR01	2007-000074	R-CHIP;100ohm,5%,1/16W,DA,TP,1608
...4	PC40	2203-000181	C-CERAMIC,CHIP;100nF,+80-20%,25V,Y5V,TP	...4	SR02	2007-000074	R-CHIP;100ohm,5%,1/16W,DA,TP,1608
...4	PC41	2401-001496	C-AL;47uF,20%,16V,GP,TP;5x7,5	...4	SR03	2007-000074	R-CHIP;100ohm,5%,1/16W,DA,TP,1608
...4	PC42	2203-000181	C-CERAMIC,CHIP;100nF,+80-20%,25V,Y5V,TP	...4	SR04	2011-000585	R-NETWORK;47ohm,5%,63mW,L,CHIP,8P,TP
...4	PC43	2401-001496	C-AL;47uF,20%,16V,GP,TP;5x7,5	...4	SR05	2011-000585	R-NETWORK;47ohm,5%,63mW,L,CHIP,8P,TP
...4	PC47	2203-000236	C-CERAMIC,CHIP;0.1nF,5%,50V,NPO,TP,1608	...4	SR06	2011-000585	R-NETWORK;47ohm,5%,63mW,L,CHIP,8P,TP
...4	PC48	2203-000236	C-CERAMIC,CHIP;0.1nF,5%,50V,NPO,TP,1608	...4	SR07	2011-000585	R-NETWORK;47ohm,5%,63mW,L,CHIP,8P,TP
...4	PC49	2203-000236	C-CERAMIC,CHIP;0.1nF,5%,50V,NPO,TP,1608	...4	SR08	2007-000074	R-CHIP;100ohm,5%,1/16W,DA,TP,1608
...4	PC52	2203-001603	C-CERAMIC,CHIP;220nF,10%,16V,X7R,TP,2012	...4	SR09	2007-000074	R-CHIP;100ohm,5%,1/16W,DA,TP,1608
...4	PC53	2203-000181	C-CERAMIC,CHIP;100nF,+80-20%,25V,Y5V,TP	...4	SR11	2007-000074	R-CHIP;100ohm,5%,1/16W,DA,TP,1608
...4	PC54	2203-001603	C-CERAMIC,CHIP;220nF,10%,16V,X7R,TP,2012	...4	SR12	2007-001056	R-CHIP;6.2Kohm,5%,1/16W,DA,TP,1608
...4	PC55	2203-005590	C-CERAMIC,CHIP;330NF,10%,16V,X7R,TP,2012	...4	SR13	2007-000402	R-CHIP;150ohm,5%,1/16W,DA,TP,1608
...4	PC56	2203-005590	C-CERAMIC,CHIP;330NF,10%,16V,X7R,TP,2012	...4	SR14	2007-001167	R-CHIP;75ohm,5%,1/16W,DA,TP,1608
...4	PC57	2203-005590	C-CERAMIC,CHIP;330NF,10%,16V,X7R,TP,2012	...4	SR15	2007-001167	R-CHIP;75ohm,5%,1/16W,DA,TP,1608
...4	PC58	2203-005590	C-CERAMIC,CHIP;330NF,10%,16V,X7R,TP,2012	...4	SR16	2007-000402	R-CHIP;150ohm,5%,1/16W,DA,TP,1608
...4	PC78	2203-000181	C-CERAMIC,CHIP;100nF,+80-20%,25V,Y5V,TP	...4	SR17	2007-001167	R-CHIP;75ohm,5%,1/16W,DA,TP,1608
...4	PCB	AA41-00418A	PCB-DW SRC;PCL545R,FR-4,4L,A,1.6T,245X24	...4	SR18	2007-001167	R-CHIP;75ohm,5%,1/16W,DA,TP,1608
...4	PIC01	1204-001158	IC-VIDEO PROCESS;VPC3230D-BZ,QFP80P,-P	...4	SR19	2007-000381	R-CHIP;13Kohm,5%,1/16W,DA,TP,1608
...4	PIC02	1109-001144	IC-FIFO;81V04160,2x256Kx8Bit,TQFP,100P	...4	SR21	2007-000402	R-CHIP;150ohm,5%,1/16W,DA,TP,1608
...4	PIC04	1203-001419	IC-VOLTAGE REGULATOR;4931,TO-252,3P,6.6x	...4	SR22	2007-001167	R-CHIP;75ohm,5%,1/16W,DA,TP,1608
...4	PL01	3301-001324	CORE-FERRITE BEAD;AB,150HM,2X1.25X0.9MM,	...4	SR23	2007-001167	R-CHIP;75ohm,5%,1/16W,DA,TP,1608
...4	PL02	3301-001324	CORE-FERRITE BEAD;AB,150HM,2X1.25X0.9MM,	...4	SR24	2007-000090	R-CHIP;10Kohm,5%,1/16W,DA,TP,1608
...4	PR01	2007-001166	R-CHIP;75OHM,5%,1/10W,DA,TP,2012	...4	SR25	2007-000401	R-CHIP;150OHM,5%,1/10W,DA,TP,2012
...4	PR02	2007-001166	R-CHIP;75OHM,5%,1/10W,DA,TP,2012	...4	YC01	2203-002494	C-CERAMIC,CHIP;470nF,10%,16V,X7R,TP,2012
...4	PR03	2007-000074	R-CHIP;100ohm,5%,1/16W,DA,TP,1608	...4	YC02	2203-002494	C-CERAMIC,CHIP;470nF,10%,16V,X7R,TP,2012
...4	PR04	2007-000074	R-CHIP;100ohm,5%,1/16W,DA,TP,1608	...4	YC03	2203-002494	C-CERAMIC,CHIP;470nF,10%,16V,X7R,TP,2012
...4	PR06	2007-000072	R-CHIP;47ohm,5%,1/16W,DA,TP,1608	...4	YC04	2203-002494	C-CERAMIC,CHIP;470nF,10%,16V,X7R,TP,2012
...4	PR07	2007-000072	R-CHIP;47ohm,5%,1/16W,DA,TP,1608	...4	YC05	2203-002494	C-CERAMIC,CHIP;470nF,10%,16V,X7R,TP,2012
...4	PR08	2007-000072	R-CHIP;47ohm,5%,1/16W,DA,TP,1608	...4	YC06	2203-002494	C-CERAMIC,CHIP;470nF,10%,16V,X7R,TP,2012
...4	PR11	2007-000029	R-CHIP;00HM,5%,1/10W,DA,TP,2012	...4	YC07	2203-002494	C-CERAMIC,CHIP;470nF,10%,16V,X7R,TP,2012
...4	PR12	2007-000029	R-CHIP;00HM,5%,1/10W,DA,TP,2012	...4	YC08	2203-002494	C-CERAMIC,CHIP;470nF,10%,16V,X7R,TP,2012
...4	PR19	2007-000029	R-CHIP;00HM,5%,1/10W,DA,TP,2012	...4	YC09	2203-002494	C-CERAMIC,CHIP;470nF,10%,16V,X7R,TP,2012
...4	PR20	2007-000290	R-CHIP;100OHM,5%,1/10W,DA,TP,2012	...4	YC10	2203-002494	C-CERAMIC,CHIP;470nF,10%,16V,X7R,TP,2012
...4	SC01	2401-001496	C-AL;47uF,20%,16V,GP,TP;5x7,5	...4	YC11	2203-002494	C-CERAMIC,CHIP;470nF,10%,16V,X7R,TP,2012
...4	SC02	2203-000181	C-CERAMIC,CHIP;100nF,+80-20%,25V,Y5V,TP	...4	YC12	2203-002494	C-CERAMIC,CHIP;470nF,10%,16V,X7R,TP,2012
...4	SC03	2401-001496	C-AL;47uF,20%,16V,GP,TP;5x7,5	...4	YC13	2203-002494	C-CERAMIC,CHIP;470nF,10%,16V,X7R,TP,2012
...4	SC04	2203-000181	C-CERAMIC,CHIP;100nF,+80-20%,25V,Y5V,TP	...4	YC14	2203-002494	C-CERAMIC,CHIP;470nF,10%,16V,X7R,TP,2012
...4	SC05	2203-000181	C-CERAMIC,CHIP;100nF,+80-20%,25V,Y5V,TP	...4	YC15	2203-002494	C-CERAMIC,CHIP;470nF,10%,16V,X7R,TP,2012
...4	SC06	2203-000181	C-CERAMIC,CHIP;100nF,+80-20%,25V,Y5V,TP	...4	YC16	2203-002494	C-CERAMIC,CHIP;470nF,10%,16V,X7R,TP,2012
...4	SC07	2203-000181	C-CERAMIC,CHIP;100nF,+80-20%,25V,Y5V,TP	...4	YC17	2203-002494	C-CERAMIC,CHIP;470nF,10%,16V,X7R,TP,2012
...4	SC08	2203-000181	C-CERAMIC,CHIP;100nF,+80-20%,25V,Y5V,TP	...4	YC18	2203-002494	C-CERAMIC,CHIP;470nF,10%,16V,X7R,TP,2012
...4	SC09	2203-000181	C-CERAMIC,CHIP;100nF,+80-20%,25V,Y5V,TP	...4	YC19	2203-002494	C-CERAMIC,CHIP;470nF,10%,16V,X7R,TP,2012
...4	SC11	2203-000181	C-CERAMIC,CHIP;100nF,+80-20%,25V,Y5V,TP	...4	YC20	2203-002494	C-CERAMIC,CHIP;470nF,10%,16V,X7R,TP,2012
...4	SC12	2203-000181	C-CERAMIC,CHIP;100nF,+80-20%,25V,Y5V,TP	...4	YC21	2401-001496	C-AL;47uF,20%,16V,GP,TP;5x7,5
...4	SC13	2203-000181	C-CERAMIC,CHIP;100nF,+80-20%,25V,Y5V,TP	...4	YC22	2203-000181	C-CERAMIC,CHIP;100nF,+80-20%,25V,Y5V,TP
...4	SC14	2203-000181	C-CERAMIC,CHIP;100nF,+80-20%,25V,Y5V,TP	...4	YC23	2203-000257	C-CERAMIC,CHIP;10nF,10%,50V,X7R,TP,1608
...4	SC21	2203-000181	C-CERAMIC,CHIP;100nF,+80-20%,25V,Y5V,TP	...4	YC24	2203-000181	C-CERAMIC,CHIP;100nF,+80-20%,25V,Y5V,TP
...4	SC22	2401-003102	C-AL;100uF,20%,10V,GP,TP;5x11,5	...4	YC25	2203-000181	C-CERAMIC,CHIP;100nF,+80-20%,25V,Y5V,TP
...4	SC23	2203-000181	C-CERAMIC,CHIP;100nF,+80-20%,25V,Y5V,TP	...4	YC26	2401-001496	C-AL;47uF,20%,16V,GP,TP;5x7,5
...4	SC24	2203-000181	C-CERAMIC,CHIP;100nF,+80-20%,25V,Y5V,TP	...4	YC27	2203-000575	C-CERAMIC,CHIP;220NF,10%,25V,X7R,TP,2012

Electrical Parts List

Loc. No.	Code No.	Description ; Specification	Remark	Loc. No.	Code No.	Description ; Specification	Remark
....4	YC28	2203-000575	C-CERAMIC,CHIP;220NF,10%,25V,X7R,TP,2012	....4	YR32	2007-000074	R-CHIP;100ohm,5%,1/16W,DA,TP,1608
....4	YC29	2203-000575	C-CERAMIC,CHIP;220NF,10%,25V,X7R,TP,2012	....4	YR33	2007-000210	R-CHIP;1.1KOHM,5%,1/10W,DA,TP,2012
....4	YC30	2203-002494	C-CERAMIC,CHIP;470nF,10%,16V,X7R,TP,2012	....4	YR40	2007-000691	R-CHIP;3.3Mohm,5%,1/16W,DA,TP,1608
....4	YC31	2401-000486	C-AL;10uF,20%,50V,GP,TP,6.3x7mm,5	....4	YR41	2007-000074	R-CHIP;100ohm,5%,1/16W,DA,TP,1608
....4	YC32	2203-000257	C-CERAMIC,CHIP;10nF,10%,50V,X7R,TP,1608	....4	YR43	2007-000799	R-CHIP;360ohm,5%,1/16W,DA,TP,1608
....4	YC33	2203-000257	C-CERAMIC,CHIP;10nF,10%,50V,X7R,TP,1608	....4	YR44	2007-000799	R-CHIP;360ohm,5%,1/16W,DA,TP,1608
....4	YC34	2203-000257	C-CERAMIC,CHIP;10nF,10%,50V,X7R,TP,1608	....4	YR45	2007-000799	R-CHIP;360ohm,5%,1/16W,DA,TP,1608
....4	YC35	2203-000257	C-CERAMIC,CHIP;10nF,10%,50V,X7R,TP,1608	....4	YR46	2007-000074	R-CHIP;100ohm,5%,1/16W,DA,TP,1608
....4	YC36	2203-000257	C-CERAMIC,CHIP;10nF,10%,50V,X7R,TP,1608	....4	YR47	2007-000074	R-CHIP;100ohm,5%,1/16W,DA,TP,1608
....4	YC37	2203-000257	C-CERAMIC,CHIP;10nF,10%,50V,X7R,TP,1608	....4	YR48	2007-000074	R-CHIP;100ohm,5%,1/16W,DA,TP,1608
....4	YC38	2401-000486	C-AL;10uF,20%,50V,GP,TP,6.3x7mm,5	....4	YR50	2007-000080	R-CHIP;2Kohm,5%,1/16W,DA,TP,1608
....4	YC39	2203-000998	C-CERAMIC,CHIP;0.047nF,5%,50V,NP0,TP,160	....4	YR51	2007-000074	R-CHIP;100ohm,5%,1/16W,DA,TP,1608
....4	YC40	2203-000998	C-CERAMIC,CHIP;0.047nF,5%,50V,NP0,TP,160	....4	YR53	2007-000074	R-CHIP;100ohm,5%,1/16W,DA,TP,1608
....4	YC45	2203-002494	C-CERAMIC,CHIP;470nF,10%,16V,X7R,TP,2012	....4	YR56	2007-000074	R-CHIP;100ohm,5%,1/16W,DA,TP,1608
....4	YC46	2203-000257	C-CERAMIC,CHIP;10nF,10%,50V,X7R,TP,1608	....4	YR59	2007-000090	R-CHIP;10Kohm,5%,1/16W,DA,TP,1608
....4	YC47	2203-000257	C-CERAMIC,CHIP;10nF,10%,50V,X7R,TP,1608	....4	YR60	2007-000074	R-CHIP;100ohm,5%,1/16W,DA,TP,1608
....4	YC48	2203-000257	C-CERAMIC,CHIP;10nF,10%,50V,X7R,TP,1608	....4	YR61	2007-000097	R-CHIP;47Kohm,5%,1/16W,DA,TP,1608
....4	YC49	2203-000181	C-CERAMIC,CHIP;100nF,+80-20%,25V,Y5V,TP,	....4	YR62	2007-000078	R-CHIP;1Kohm,5%,1/16W,DA,TP,1608
....4	YC50	2203-002494	C-CERAMIC,CHIP;470nF,10%,16V,X7R,TP,2012	....4	YR63	2007-000074	R-CHIP;100ohm,5%,1/16W,DA,TP,1608
....4	YC51	2203-000491	C-CERAMIC,CHIP;2.2nF,10%,50V,X7R,TP,1608	....4	YR64	2007-000074	R-CHIP;100ohm,5%,1/16W,DA,TP,1608
....4	YC52	2203-001083	C-CERAMIC,CHIP;0.005nF,0.1pF,50V,NP0,TP,	....4	YR65	2007-000583	R-CHIP;22Kohm,1%,1/16W,DA,TP,1608
....4	YC53	2203-000181	C-CERAMIC,CHIP;100nF,+80-20%,25V,Y5V,TP,	....4	YR77	2007-000210	R-CHIP;1.1KOHM,5%,1/10W,DA,TP,2012
....4	YC54	2203-000181	C-CERAMIC,CHIP;100nF,+80-20%,25V,Y5V,TP,	....4	YR78	2007-000210	R-CHIP;1.1KOHM,5%,1/10W,DA,TP,2012
....4	YC55	2203-000181	C-CERAMIC,CHIP;100nF,+80-20%,25V,Y5V,TP,	....4	YR79	2007-000210	R-CHIP;1.1KOHM,5%,1/10W,DA,TP,2012
....4	YC56	2203-000181	C-CERAMIC,CHIP;100nF,+80-20%,25V,Y5V,TP,	....4	YR83	2007-000074	R-CHIP;100ohm,5%,1/16W,DA,TP,1608
....4	YC57	2401-001496	C-AL;47uF,20%,16V,GP,TP,5x7,5	....4	YR85	2007-000074	R-CHIP;100ohm,5%,1/16W,DA,TP,1608
....4	YC58	2203-000181	C-CERAMIC,CHIP;100nF,+80-20%,25V,Y5V,TP,	....4	YR86	2007-000074	R-CHIP;100ohm,5%,1/16W,DA,TP,1608
....4	YC59	2203-000181	C-CERAMIC,CHIP;100nF,+80-20%,25V,Y5V,TP,	....4	YR88	2007-000078	R-CHIP;1Kohm,5%,1/16W,DA,TP,1608
....4	YC60	2203-000181	C-CERAMIC,CHIP;100nF,+80-20%,25V,Y5V,TP,	....4	YR89	2007-000078	R-CHIP;1Kohm,5%,1/16W,DA,TP,1608
....4	YC62	2401-000598	C-AL;1uF,20%,50V,GP,TP,4x7,5	....4	YR90	2007-000074	R-CHIP;100ohm,5%,1/16W,DA,TP,1608
....4	YC63	2203-000236	C-CERAMIC,CHIP;0.1nF,5%,50V,NP0,TP,1608	....4	YR91	2007-000074	R-CHIP;100ohm,5%,1/16W,DA,TP,1608
....4	YC66	2203-000815	C-CERAMIC,CHIP;0.033nF,5%,50V,NP0,TP,160	....4	YR92	2007-000074	R-CHIP;100ohm,5%,1/16W,DA,TP,1608
....4	YD01	0403-000620	DIODE-ZENER;RLZ5.6B,5.6,500mW,LL-34,TP	....4	YR98	2007-000084	R-CHIP;4.7Kohm,5%,1/16W,DA,TP,1608
....4	YD02	0403-000620	DIODE-ZENER;RLZ5.6B,5.6,500mW,LL-34,TP	....4	YR99	2007-000075	R-CHIP;220ohm,5%,1/16W,DA,TP,1608
....4	YD03	0403-001117	DIODE-ZENER;RLZ12B,5%,500mW,LL-34,TP	....3		0202-001167	SOLDER-CREAM;FLX3603-2330HO,S45A,PASTE,SN
....4	YD04	0403-001117	DIODE-ZENER;RLZ12B,5%,500mW,LL-34,TP	..2		0202-000187	SOLDER-WIRE FLUX;-RS60S,D1.2.63Sn/37Pb
....4	YD05	0403-001117	DIODE-ZENER;RLZ12B,5%,500mW,LL-34,TP	..2		AA95-00707A	ASSY-PCB,CAPTION;PCL545R,P54A
....4	YF01	2901-001120	FILTER-EMI SMD;25V,100mA,-,-,3.2x1.6x1,T	....3	BK01	AA61-10068A	BRACKET-PCB;M2160,SFTE,T0.3,-,-,-
....4	YF02	2901-001120	FILTER-EMI SMD;25V,100mA,-,-,3.2x1.6x1,T	....3	CNC01	3711-002709	CONNECTOR-HEADER;NOWALL,12P,1R,2.5MM,ANG
....4	YF03	2901-001120	FILTER-EMI SMD;25V,100mA,-,-,3.2x1.6x1,T	....3	CNC02	3711-002708	CONNECTOR-HEADER;NOWALL,10P,1R,2.5mm,ANG
....4	YF04	2901-001120	FILTER-EMI SMD;25V,100mA,-,-,3.2x1.6x1,T	....3	ICC01	1204-001718	IC-DECODER;Z86129,DIP,18P,300MIL,PLASTIC
....4	YF05	2901-001120	FILTER-EMI SMD;25V,100mA,-,-,3.2x1.6x1,T	....3	ICC02	1001-001083	IC-VIDEO SWITCH;NJM2248D,-,DIP,8P,300MIL
....4	YL01	3301-0001186	CORE-FERRITE BEAD;AB,600ohm,3.2x1.6x1.3m	....3	ICC03	1001-001083	IC-VIDEO SWITCH;NJM2248D,-,DIP,8P,300MIL
....4	YL02	2702-000160	INDUCTOR-RADIAL;4.7uH,10%,6x6.4mm	....3	PCB	AA41-00337A	PCB-CAPTION;PCL545R,FR-1,1L,A,1.6T,245X2
....4	YQ01	0501-000280	TR-SMALL SIGNAL;KSA1182,PNP,150mW,SOT-23	....3		0202-000187	SOLDER-WIRE FLUX;-RS60S,D1.2.63Sn/37Pb
....4	YQ02	0501-000280	TR-SMALL SIGNAL;KSA1182,PNP,150mW,SOT-23	....3		AA99-20080H	ASSY-PCB SUB AUTO; AA95-00707A ,V
....4	YQ03	0501-000280	TR-SMALL SIGNAL;KSA1182,PNP,150mW,SOT-23	....4	CC01	2401-000603	C-AL;1uF,20%,50V,GP,TP,5x11,5
....4	YQ06	0501-000344	TR-SMALL SIGNAL;KSC1623-G,NPN,200mW,SOT-	....4	CC02	2401-002144	C-AL;47uF,20%,16V,GP,TP,5x11,5
....4	YQ08	0501-000280	TR-SMALL SIGNAL;KSA1182,PNP,150mW,SOT-23	....4	CC03	2201-000600	C-CERAMIC,DISC;0.56nF,10%,50V,Y5P,TP,5x3
....4	YQ11	0501-000344	TR-SMALL SIGNAL;KSC1623-G,NPN,200mW,SOT-	....4	CC04	2401-000223	C-AL;100nF,20%,50V,LL,TP,5x11mm,5mm
....4	YQ12	0501-000344	TR-SMALL SIGNAL;KSC1623-G,NPN,200mW,SOT-	....4	CC05	2301-000310	C-FILM,PEF;68nF,5%,50V,TP,6.8X5.5X3.0X5
....4	YR05	2007-000074	R-CHIP;100ohm,5%,1/16W,DA,TP,1608	....4	CC06	2301-000301	C-FILM,PEF;6.8nF,5%,50V,TP,6.5X5.5X3.0X5
....4	YR06	2007-000074	R-CHIP;100ohm,5%,1/16W,DA,TP,1608	....4	CC07	2401-001840	C-AL;100uF,20%,16V,GP,TP,6.3x11,5
....4	YR07	2007-000074	R-CHIP;100ohm,5%,1/16W,DA,TP,1608	....4	CC08	2401-002144	C-AL;47uF,20%,16V,GP,TP,5x11,5
....4	YR08	2007-000074	R-CHIP;100ohm,5%,1/16W,DA,TP,1608	....4	CC09	2401-002144	C-AL;47uF,20%,16V,GP,TP,5x11,5
....4	YR09	2007-000074	R-CHIP;100ohm,5%,1/16W,DA,TP,1608	....4	CC10	2305-000149	C-FILM,MPEF;100nF,5%,100V,TP,12x12.5x6.5
....4	YR10	2007-000074	R-CHIP;100ohm,5%,1/16W,DA,TP,1608	....4	CC11	2401-002235	C-AL;10uF,20%,16V,GP,TP,5x11mm,5mm
....4	YR100	2007-000074	R-CHIP;100ohm,5%,1/16W,DA,TP,1608	....4	CC12	2305-000149	C-FILM,MPEF;100nF,5%,100V,TP,12x12.5x6.5
....4	YR101	2007-000074	R-CHIP;100ohm,5%,1/16W,DA,TP,1608	....4	CC13	2401-002619	C-AL;47uF,20%,25V,GP,TP,5x11,5
....4	YR102	2007-000074	R-CHIP;100ohm,5%,1/16W,DA,TP,1608	....4	CC14	2201-000119	C-CERAMIC,DISC;100nF,+80-20%,50V,Y5V,TP,
....4	YR103	2007-000074	R-CHIP;100ohm,5%,1/16W,DA,TP,1608	....4	CC15	2201-000600	C-CERAMIC,DISC;0.56nF,10%,50V,Y5P,TP,5x3
....4	YR104	2007-000074	R-CHIP;100ohm,5%,1/16W,DA,TP,1608	....4	CC16	2201-000119	C-CERAMIC,DISC;100nF,+80-20%,50V,Y5V,TP,
....4	YR105	2007-000074	R-CHIP;100ohm,5%,1/16W,DA,TP,1608	....4	CC19	2201-000119	C-CERAMIC,DISC;100nF,+80-20%,50V,Y5V,TP,
....4	YR11	2007-000074	R-CHIP;100ohm,5%,1/16W,DA,TP,1608	....4	DC01	0401-000005	DIODE-SWITCHING;1N4148,100V,200mA,DO-35,
....4	YR12	2007-000074	R-CHIP;100ohm,5%,1/16W,DA,TP,1608	....4	DC02	0401-000005	DIODE-SWITCHING;1N4148,100V,200mA,DO-35,
....4	YR14	2007-000077	R-CHIP;470ohm,5%,1/16W,DA,TP,1608	....4	DC03	0401-000005	DIODE-SWITCHING;1N4148,100V,200mA,DO-35,
....4	YR15	2007-000939	R-CHIP;47Kohm,1%,1/16W,DA,TP,1608	....4	LC01	2701-000115	INDUCTOR-AXIAL;10uH,10%,3x7mm
....4	YR18	2007-000074	R-CHIP;100ohm,5%,1/16W,DA,TP,1608	....4	QC01	0501-000389	TR-SMALL SIGNAL;KSC815,NPN,400mW,TO-92,T
....4	YR23	2007-000078	R-CHIP;1Kohm,5%,1/16W,DA,TP,1608	....4	QC02	0501-000389	TR-SMALL SIGNAL;KSC815,NPN,400mW,TO-92,T
....4	YR24	2007-000078	R-CHIP;1Kohm,5%,1/16W,DA,TP,1608	....4	RC01	2004-000433	R-METAL;1Kohm,1%,1/8W,AA,TP,1.8x3.2mm
....4	YR25	2007-000074	R-CHIP;100ohm,5%,1/16W,DA,TP,1608	....4	RC02	2004-000433	R-METAL;1Kohm,1%,1/8W,AA,TP,1.8x3.2mm
....4	YR26	2007-000074	R-CHIP;100ohm,5%,1/16W,DA,TP,1608	....4	RC03	2001-000429	R-CARBON;1KOHM,5%,1/8W,AA,TP,1.8X3.2MM
....4	YR27	2007-000074	R-CHIP;100ohm,5%,1/16W,DA,TP,1608	....4	RC04	2001-000221	R-CARBON;1.2KOHM,5%,1/8W,AA,TP,1.8X3.2M
....4	YR28	2007-000074	R-CHIP;100ohm,5%,1/16W,DA,TP,1608	....4	RC05	2001-000890	R-CARBON;6.8KOHM,5%,1/8W,AA,TP,1.8X3.2M
....4	YR29	2007-000210	R-CHIP;1.1KOHM,5%,1/10W,DA,TP,2012	....4	RC06	2001-000006	R-CARBON;2.4KOHM,5%,1/8W,AA,TP,1.8X3.2M
....4	YR30	2007-000074	R-CHIP;100ohm,5%,1/16W,DA,TP,1608	....4	RC07	2001-000734	R-CARBON;4.7KOHM,5%,1/8W,AA,TP,1.8X3.2M
....4	YR31	2007-000210	R-CHIP;1.1KOHM,5%,1/10W,DA,TP,2012	....4	RC08	2001-000515	R-CARBON;220OHM,5%,1/8W,AA,TP,1.8X3.2MM

Loc. No.	Code No.	Description ; Specification	Remark
....4 RC09	2001-000969	R-CARBON;750HM,5%,1/8W,AA,TP,1.8X3.2MM	
....4 RC10	2004-000433	R-METAL;1Kohm,1%,1/8W,AA,TP,1.8x3.2mm	
....4 RC11	2001-000515	R-CARBON;220OHM,5%,1/8W,AA,TP,1.8X3.2MM	
....4 RC12	2001-000591	R-CARBON;3.3KOHM,5%,1/8W,AA,TP,1.8X3.2M	
....4 RC13	2001-000281	R-CARBON;100OHM,5%,1/8W,AA,TP,1.8X3.2MM	
....4 RC14	2001-000281	R-CARBON;100OHM,5%,1/8W,AA,TP,1.8X3.2MM	
....4 RC15	2001-000281	R-CARBON;100OHM,5%,1/8W,AA,TP,1.8X3.2MM	
....4 RC16	2004-000218	R-METAL;10Kohm,1%,1/8W,AA,TP,1.8x3.2mm	
....4 RC17	2001-000780	R-CARBON;470OHM,5%,1/8W,AA,TP,1.8X3.2MM	
....4 RC18	2001-000734	R-CARBON;4.7KOHM,5%,1/8W,AA,TP,1.8X3.2M	
....4 RC19	2001-000221	R-CARBON;1.2KOHM,5%,1/8W,AA,TP,1.8X3.2M	
....4 RC20	2001-000734	R-CARBON;4.7KOHM,5%,1/8W,AA,TP,1.8X3.2M	
....4 RC21	2001-000628	R-CARBON;300OHM,5%,1/8W,AA,TP,1.8X3.2MM	
....4 RC22	2001-000613	R-CARBON;3.9KOHM,5%,1/8W,AA,TP,1.8X3.2M	
....4 RC23	2001-000006	R-CARBON;2.4KOHM,5%,1/8W,AA,TP,1.8X3.2M	
....4 RC24	2001-000007	R-CARBON;3KOHM,5%,1/8W,AA,TP,1.8X3.2MM	
....4 RC25	2001-000003	R-CARBON;330ohm,5%,1/8W,AA,TP,1.8x3.2mm	
....4 RC30	2001-000708	R-CARBON;390HM,5%,1/8W,AA,TP,1.8X3.2MM	
..2	AA95-00706C	ASSY-PCB CONV MDL.;PCL545R,P54A	
..3 C163	2305-000289	C-FILM,MPEF;220nF,5%,63V,TP,-5mm	
..3 CN103	3711-001094	CONNECTOR-HEADER;BOX,7P,1R,2.5mm,ANGLE,-	
..3 CN201	3703-001124	CONNECTOR-DIN;32P2R,MALE,ANGLE,AUF	
..3 IC113	1203-000641	IC-RESET;7442,TO-92,3P,-,PLASTIC,0.3/7	
..3	0202-001167	SOLDER-CREAM;RX3603-2330HO,S45A,PASTE,SN	
..3	0202-000187	SOLDER-WIRE FLUX;-RS60S,D1.2,63Sn/37Pb	
....4 C101	2402-001042	C-AL,SMD;100uF,20%,16V,GP,TP,6.6x6.6x5.	S.N.A
....4 C102	2402-001042	C-AL,SMD;100uF,20%,16V,GP,TP,6.6x6.6x5.	
....4 C103	2402-001042	C-AL,SMD;100uF,20%,16V,GP,TP,6.6x6.6x5.	
....4 C104	2203-000181	C-CERAMIC,CHIP;100nF,+80-20%,25V,Y5V,TP,	
....4 C105	2203-000851	C-CERAMIC,CHIP;0.039nF,5%,50V,NPO,TP,160	
....4 C106	2203-000181	C-CERAMIC,CHIP;100nF,+80-20%,25V,Y5V,TP,	
....4 C107	2203-000715	C-CERAMIC,CHIP;3.3nF,10%,50V,X7R,TP,1608	
....4 C108	2402-000170	C-AL,SMD;1uF,20%,50V,GP,TP,4.3x4.3x5.4.	
....4 C109	2203-000181	C-CERAMIC,CHIP;100nF,+80-20%,25V,Y5V,TP,	
....4 C110	2203-000440	C-CERAMIC,CHIP;1nF,10%,50V,X7R,TP,1608,-	
....4 C111	2203-000181	C-CERAMIC,CHIP;100nF,+80-20%,25V,Y5V,TP,	
....4 C112	2203-000681	C-CERAMIC,CHIP;0.027nF,5%,50V,NPO,TP,160	
....4 C113	2203-000681	C-CERAMIC,CHIP;0.027nF,5%,50V,NPO,TP,160	
....4 C114	2203-000181	C-CERAMIC,CHIP;100nF,+80-20%,25V,Y5V,TP,	
....4 C115	2203-000181	C-CERAMIC,CHIP;100nF,+80-20%,25V,Y5V,TP,	
....4 C116	2203-000181	C-CERAMIC,CHIP;100nF,+80-20%,25V,Y5V,TP,	
....4 C117	2203-000181	C-CERAMIC,CHIP;100nF,+80-20%,25V,Y5V,TP,	
....4 C118	2203-000181	C-CERAMIC,CHIP;100nF,+80-20%,25V,Y5V,TP,	
....4 C119	2203-000181	C-CERAMIC,CHIP;100nF,+80-20%,25V,Y5V,TP,	
....4 C120	2203-000181	C-CERAMIC,CHIP;100nF,+80-20%,25V,Y5V,TP,	
....4 C121	2203-000181	C-CERAMIC,CHIP;100nF,+80-20%,25V,Y5V,TP,	
....4 C122	2203-000181	C-CERAMIC,CHIP;100nF,+80-20%,25V,Y5V,TP,	
....4 C123	2203-000181	C-CERAMIC,CHIP;100nF,+80-20%,25V,Y5V,TP,	
....4 C124	2203-000181	C-CERAMIC,CHIP;100nF,+80-20%,25V,Y5V,TP,	
....4 C125	2203-000181	C-CERAMIC,CHIP;100nF,+80-20%,25V,Y5V,TP,	
....4 C126	2203-000181	C-CERAMIC,CHIP;100nF,+80-20%,25V,Y5V,TP,	
....4 C127	2203-000181	C-CERAMIC,CHIP;100nF,+80-20%,25V,Y5V,TP,	
....4 C128	2203-000181	C-CERAMIC,CHIP;100nF,+80-20%,25V,Y5V,TP,	
....4 C129	2203-000181	C-CERAMIC,CHIP;100nF,+80-20%,25V,Y5V,TP,	
....4 C130	2203-000181	C-CERAMIC,CHIP;100nF,+80-20%,25V,Y5V,TP,	
....4 C131	2203-000181	C-CERAMIC,CHIP;100nF,+80-20%,25V,Y5V,TP,	
....4 C132	2203-000405	C-CERAMIC,CHIP;0.18nF,5%,50V,NPO,TP,1608	
....4 C133	2402-001049	C-AL,CHIP;10uF,20%,16V,GP,TP,3.3x3.3x5.4	
....4 C134	2203-000181	C-CERAMIC,CHIP;100nF,+80-20%,25V,Y5V,TP,	
....4 C135	2203-000715	C-CERAMIC,CHIP;3.3nF,10%,50V,X7R,TP,1608	
....4 C136	2203-000181	C-CERAMIC,CHIP;100nF,+80-20%,25V,Y5V,TP,	
....4 C137	2203-000715	C-CERAMIC,CHIP;3.3nF,10%,50V,X7R,TP,1608	
....4 C138	2203-000405	C-CERAMIC,CHIP;0.18nF,5%,50V,NPO,TP,1608	
....4 C139	2203-000181	C-CERAMIC,CHIP;100nF,+80-20%,25V,Y5V,TP,	
....4 C140	2402-001049	C-AL,CHIP;10uF,20%,16V,GP,TP,3.3x3.3x5.4	
....4 C141	2203-000405	C-CERAMIC,CHIP;0.18nF,5%,50V,NPO,TP,1608	
....4 C142	2402-001049	C-AL,CHIP;10uF,20%,16V,GP,TP,3.3x3.3x5.4	
....4 C143	2203-000181	C-CERAMIC,CHIP;100nF,+80-20%,25V,Y5V,TP,	
....4 C144	2203-000715	C-CERAMIC,CHIP;3.3nF,10%,50V,X7R,TP,1608	
....4 C145	2203-000181	C-CERAMIC,CHIP;100nF,+80-20%,25V,Y5V,TP,	
....4 C146	2203-000715	C-CERAMIC,CHIP;3.3nF,10%,50V,X7R,TP,1608	
....4 C147	2203-000405	C-CERAMIC,CHIP;0.18nF,5%,50V,NPO,TP,1608	
....4 C148	2402-001049	C-AL,CHIP;10uF,20%,16V,GP,TP,3.3x3.3x5.4	
....4 C149	2203-000181	C-CERAMIC,CHIP;100nF,+80-20%,25V,Y5V,TP,	
....4 C150	2203-000181	C-CERAMIC,CHIP;100nF,+80-20%,25V,Y5V,TP,	
....4 C151	2203-000405	C-CERAMIC,CHIP;0.18nF,5%,50V,NPO,TP,1608	

Loc. No.	Code No.	Description ; Specification	Remark
....4 C152	2402-001049	C-AL,CHIP;10uF,20%,16V,GP,TP,3.3x3.3x5.4	
....4 C153	2203-000181	C-CERAMIC,CHIP;100nF,+80-20%,25V,Y5V,TP,	
....4 C154	2203-000715	C-CERAMIC,CHIP;3.3nF,10%,50V,X7R,TP,1608	
....4 C155	2203-000181	C-CERAMIC,CHIP;100nF,+80-20%,25V,Y5V,TP,	
....4 C156	2203-000715	C-CERAMIC,CHIP;3.3nF,10%,50V,X7R,TP,1608	
....4 C157	2203-000405	C-CERAMIC,CHIP;0.18nF,5%,50V,NPO,TP,1608	
....4 C158	2402-001049	C-AL,CHIP;10uF,20%,16V,GP,TP,3.3x3.3x5.4	
....4 C159	2203-000181	C-CERAMIC,CHIP;100nF,+80-20%,25V,Y5V,TP,	
....4 C160	2203-000181	C-CERAMIC,CHIP;100nF,+80-20%,25V,Y5V,TP,	
....4 C161	2402-001042	C-AL,SMD;100uF,20%,16V,GP,TP,6.6x6.6x5.	
....4 C162	2402-001042	C-AL,SMD;100uF,20%,16V,GP,TP,6.6x6.6x5.	
....4 C164	2402-000173	C-AL,SMD;4.7uF,20%,35V,GP,TP,4.3x4.3x5.	
....4 C165	2203-000181	C-CERAMIC,CHIP;100nF,+80-20%,25V,Y5V,TP,	
....4 C166	2203-000181	C-CERAMIC,CHIP;100nF,+80-20%,25V,Y5V,TP,	
....4 C167	2402-001049	C-AL,CHIP;10uF,20%,16V,GP,TP,3.3x3.3x5.4	
....4 C168	2203-000181	C-CERAMIC,CHIP;100nF,+80-20%,25V,Y5V,TP,	
....4 C169	2203-000181	C-CERAMIC,CHIP;100nF,+80-20%,25V,Y5V,TP,	
....4 C170	2203-000181	C-CERAMIC,CHIP;100nF,+80-20%,25V,Y5V,TP,	
....4 C172	2402-001042	C-AL,SMD;100uF,20%,16V,GP,TP,6.6x6.6x5.	
....4 C173	2402-001042	C-AL,SMD;100uF,20%,16V,GP,TP,6.6x6.6x5.	
....4 C174	2402-001042	C-AL,SMD;100uF,20%,16V,GP,TP,6.6x6.6x5.	
....4 C201	2203-000405	C-CERAMIC,CHIP;0.18nF,5%,50V,NPO,TP,1608	
....4 C202	2203-000405	C-CERAMIC,CHIP;0.18nF,5%,50V,NPO,TP,1608	
....4 C203	2203-000405	C-CERAMIC,CHIP;0.18nF,5%,50V,NPO,TP,1608	
....4 C204	2203-000405	C-CERAMIC,CHIP;0.18nF,5%,50V,NPO,TP,1608	
....4 C205	2203-000405	C-CERAMIC,CHIP;0.18nF,5%,50V,NPO,TP,1608	
....4 C206	2203-000405	C-CERAMIC,CHIP;0.18nF,5%,50V,NPO,TP,1608	
....4 C301	2402-001042	C-AL,SMD;100uF,20%,16V,GP,TP,6.6x6.6x5.	
....4 D101	0401-000160	DIODE-SWITCHING;ISS314,30V,100mA,USC,TP	
....4 D102	0401-000160	DIODE-SWITCHING;ISS314,30V,100mA,USC,TP	
....4 DZ101	0403-001016	DIODE-ZENER;RL26.2B,6.2V,5.96-6.27V,400m	
....4 DZ102	0403-001016	DIODE-ZENER;RL26.2B,6.2V,5.96-6.27V,400m	
....4 DZ105	0403-001016	DIODE-ZENER;RL26.2B,6.2V,5.96-6.27V,400m	
....4 DZ106	0403-001016	DIODE-ZENER;RL26.2B,6.2V,5.96-6.27V,400m	
....4 DZ107	0403-001016	DIODE-ZENER;RL26.2B,6.2V,5.96-6.27V,400m	
....4 DZ108	0403-001016	DIODE-ZENER;RL26.2B,6.2V,5.96-6.27V,400m	
....4 DZ109	0403-001016	DIODE-ZENER;RL26.2B,6.2V,5.96-6.27V,400m	
....4 DZ110	0403-001016	DIODE-ZENER;RL26.2B,6.2V,5.96-6.27V,400m	
....4 DZ111	0403-001016	DIODE-ZENER;RL26.2B,6.2V,5.96-6.27V,400m	
....4 DZ112	0403-001016	DIODE-ZENER;RL26.2B,6.2V,5.96-6.27V,400m	
....4 DZ113	0403-001016	DIODE-ZENER;RL26.2B,6.2V,5.96-6.27V,400m	
....4 DZ114	0403-001016	DIODE-ZENER;RL26.2B,6.2V,5.96-6.27V,400m	
....4 DZ115	0403-001016	DIODE-ZENER;RL26.2B,6.2V,5.96-6.27V,400m	
....4 DZ116	0403-001016	DIODE-ZENER;RL26.2B,6.2V,5.96-6.27V,400m	
....4 DZ201	0403-001016	DIODE-ZENER;RL26.2B,6.2V,5.96-6.27V,400m	
....4 DZ202	0403-001016	DIODE-ZENER;RL26.2B,6.2V,5.96-6.27V,400m	
....4 DZ203	0403-001016	DIODE-ZENER;RL26.2B,6.2V,5.96-6.27V,400m	
....4 DZ204	0403-001016	DIODE-ZENER;RL26.2B,6.2V,5.96-6.27V,400m	
....4 EF101	2901-000229	FILTER-EMI SMD;50V,0.3A,-,22000pF,4.5x3.	
....4 EF102	2901-000229	FILTER-EMI SMD;50V,0.3A,-,22000pF,4.5x3.	
....4 EF105	2901-000226	FILTER-EMI SMD;25V,0.3A,-,100pF,3.2x1.25	
....4 EF106	2901-000226	FILTER-EMI SMD;25V,0.3A,-,100pF,3.2x1.25	
....4 EF107	2901-000226	FILTER-EMI SMD;25V,0.3A,-,100pF,3.2x1.25	
....4 EF108	2901-000226	FILTER-EMI SMD;25V,0.3A,-,100pF,3.2x1.25	
....4 EF109	2901-000226	FILTER-EMI SMD;25V,0.3A,-,100pF,3.2x1.25	
....4 EF110	2901-000226	FILTER-EMI SMD;25V,0.3A,-,100pF,3.2x1.25	
....4 EF111	2901-000226	FILTER-EMI SMD;25V,0.3A,-,100pF,3.2x1.25	
....4 EF112	2901-000226	FILTER-EMI SMD;25V,0.3A,-,100pF,3.2x1.25	
....4 EF113	2901-000226	FILTER-EMI SMD;25V,0.3A,-,100pF,3.2x1.25	
....4 EF114	2901-000226	FILTER-EMI SMD;25V,0.3A,-,100pF,3.2x1.25	
....4 EF115	2901-000226	FILTER-EMI SMD;25V,0.3A,-,100pF,3.2x1.25	
....4 EF201	2901-000226	FILTER-EMI SMD;25V,0.3A,-,100pF,3.2x1.25	
....4 EF202	2901-000226	FILTER-EMI SMD;25V,0.3A,-,100pF,3.2x1.25	
....4 EF203	2901-000226	FILTER-EMI SMD;25V,0.3A,-,100pF,3.2x1.25	
....4 EF204	2901-000226	FILTER-EMI SMD;25V,0.3A,-,100pF,3.2x1.25	
....4 EF205	2901-000226	FILTER-EMI SMD;25V,0.3A,-,100pF,3.2x1.25	
....4 IC101	AA13-00071A	IC-ASIC-,SLOC9,1,QFP;208P,CONV CONTROL	
....4 IC102	0801-001043	IC-CMOS LOGIC;74HC4046,PHASE-LOCKED-LOOP	
....4 IC103	AA09-00032A	IC-MCU;TSC8725162D-OTP,TSC8725162D-OT	
....4 IC104	1103-001167	IC-EEPROM;28C64,8KX8BIT,TSOP28P,-,120NS	
....4 IC105	1201-001520	IC-VIDEO AMP;M2210,SOP8P,150MIL,DUAL,7dB	
....4 IC106	1201-001504	IC-OP AMP;072,SOP8P,150MIL,DUAL-,PLAST	
....4 IC107	1201-001504	IC-OP AMP;072,SOP8P,150MIL,DUAL-,PLAST	
....4 IC108	1201-001504	IC-OP AMP;072,SOP8P,150MIL,DUAL-,PLAST	
....4 IC109	0801-001156	IC-CMOS LOGIC;74HC4066,BILATERAL SWITCH,	

Loc. No.	Code No.	Description ; Specification	Remark	Loc. No.	Code No.	Description ; Specification	Remark
....4	CD639	2401-000302	C-AL;100uF,20%,25V,GP,TP,6.3x11,5	...3	CD60	2401-001496	C-AL;47uF,20%,16V,GP,TP,5x7,5
....4	CD640	2203-000181	C-CERAMIC,CHIP;100nF,+80-20%,25V,Y5V,TP,	...3	CD62	2203-000181	C-CERAMIC,CHIP;100nF,+80-20%,25V,Y5V,TP,
....4	CD641	2401-002009	C-AL;100uF,20%,16V,GP,TP,6.3x7,5	...3	CD63	2203-000181	C-CERAMIC,CHIP;100nF,+80-20%,25V,Y5V,TP,
....4	CD642	2203-000140	C-CERAMIC,CHIP;1.5nF,10%,50V,X7R,TP,1608	...3	CD64	2401-001496	C-AL;47uF,20%,16V,GP,TP,5x7,5
....4	CD643	2203-000140	C-CERAMIC,CHIP;1.5nF,10%,50V,X7R,TP,1608	...3	CD66	2401-001496	C-AL;47uF,20%,16V,GP,TP,5x7,5
....4	CD648	2203-000440	C-CERAMIC,CHIP;1nF,10%,50V,X7R,TP,1608,-	...3	CD67	2203-000181	C-CERAMIC,CHIP;100nF,+80-20%,25V,Y5V,TP,
....4	CD649	2203-000440	C-CERAMIC,CHIP;1nF,10%,50V,X7R,TP,1608,-	...3	CD68	2401-001496	C-AL;47uF,20%,16V,GP,TP,5x7,5
....4	CD650	2401-001250	C-AL;4.7uF,20%,35V,GP,TP,4x5,5	...3	CD69	2203-000181	C-CERAMIC,CHIP;100nF,+80-20%,25V,Y5V,TP,
....4	CD652	2401-001250	C-AL;4.7uF,20%,35V,GP,TP,4x5,5	...3	CD71	2401-001496	C-AL;47uF,20%,16V,GP,TP,5x7,5
....4	CD653	2401-000922	C-AL;22uF,20%,16V,GP,TP,5x5,5	...3	CD72	2203-000181	C-CERAMIC,CHIP;100nF,+80-20%,25V,Y5V,TP,
....4	CD654	2401-000922	C-AL;22uF,20%,16V,GP,TP,5x5,5	...3	CD74	2203-000181	C-CERAMIC,CHIP;100nF,+80-20%,25V,Y5V,TP,
....4	CD660	2401-000922	C-AL;22uF,20%,16V,GP,TP,5x5,5	...3	CD75	2203-000626	C-CERAMIC,CHIP;0.022nF,5%,50V,NPO,TP,160
....4	CD662	2203-000181	C-CERAMIC,CHIP;100nF,+80-20%,25V,Y5V,TP,	...3	CD80	2203-000357	C-CERAMIC,CHIP;0.15nF,5%,50V,NPO,TP,1608
....4	CD670	2203-000236	C-CERAMIC,CHIP;0.1nF,5%,50V,NPO,TP,1608	...3	CD81	2203-000181	C-CERAMIC,CHIP;100nF,+80-20%,25V,Y5V,TP,
....4	ICD601	1204-001631	IC-SOUND PROCESSOR;MSP3450G,QFP,80P,-PL	...3	CD84	2203-000181	C-CERAMIC,CHIP;100nF,+80-20%,25V,Y5V,TP,
....4	ICD602	1201-000541	IC-OP AMP;062,SOP,8P;153MIL,DUAL,6V,mV,PL	...3	CD85	2203-000838	C-CERAMIC,CHIP;0.39nF,5%,50V,NPO,TP,1608
....4	LD601	2701-001032	INDUCTOR-AXIAL;100uH,10%,5x14mm	...3	CD86	2203-000181	C-CERAMIC,CHIP;100nF,+80-20%,25V,Y5V,TP,
....4	LD602	2701-001032	INDUCTOR-AXIAL;100uH,10%,5x14mm	...3	CD87	2203-000181	C-CERAMIC,CHIP;100nF,+80-20%,25V,Y5V,TP,
....4	LD603	2701-001032	INDUCTOR-AXIAL;100uH,10%,5x14mm	...3	CD88	2203-000626	C-CERAMIC,CHIP;0.022nF,5%,50V,NPO,TP,160
....4	PCB	AA41-00335A	PCB-SOUND;PCL1545R,FR-4,2L,A,1.6T,180X245	...3	CD89	2203-000626	C-CERAMIC,CHIP;0.022nF,5%,50V,NPO,TP,160
....4	RD601	2007-000078	R-CHIP;1Kohm,5%,1/16W,DA,TP,1608	...3	CD90	2203-000181	C-CERAMIC,CHIP;100nF,+80-20%,25V,Y5V,TP,
....4	RD602	2007-000078	R-CHIP;1Kohm,5%,1/16W,DA,TP,1608	...3	CD91	2203-000181	C-CERAMIC,CHIP;100nF,+80-20%,25V,Y5V,TP,
....4	RD603	2007-000078	R-CHIP;1Kohm,5%,1/16W,DA,TP,1608	...3	CON01	3711-002705	CONNECTOR-HEADER;NOWALL,7P,1R,2.5mm,ANGL
....4	RD604	2007-000078	R-CHIP;1Kohm,5%,1/16W,DA,TP,1608	...3	CON02	3711-002703	CONNECTOR-HEADER;NOWALL,5P,1R,2.5mm,ANGL
....4	RD605	2007-000078	R-CHIP;1Kohm,5%,1/16W,DA,TP,1608	...3	DD01	0403-001016	DIODE-ZENER;RLZ6.2B,6.2V,5.96-6.27V,400m
....4	RD606	2007-000078	R-CHIP;1Kohm,5%,1/16W,DA,TP,1608	...3	DD02	0403-001016	DIODE-ZENER;RLZ6.2B,6.2V,5.96-6.27V,400m
....4	RD607	2007-000078	R-CHIP;1Kohm,5%,1/16W,DA,TP,1608	...3	DD03	0401-000133	DIODE-SWITCHING;RLS4148,100V,200mA,SOD-8
....4	RD608	2007-000078	R-CHIP;1Kohm,5%,1/16W,DA,TP,1608	...3	FD00	2909-001051	FILTER-LC;6MHz,6MHz,0.8dB,TP,5dB/6MHz,30
....4	RD609	2007-000078	R-CHIP;1Kohm,5%,1/16W,DA,TP,1608	...3	FD01	2909-001051	FILTER-LC;6MHz,6MHz,0.8dB,TP,5dB/6MHz,30
....4	RD610	2007-000074	R-CHIP;100ohm,5%,1/16W,DA,TP,1608	...3	FD02	2909-001052	FILTER-LC;3.58MHz,3MHz,1.5dB,TP,11dB/1.0
....4	RD611	2007-000074	R-CHIP;100ohm,5%,1/16W,DA,TP,1608	...3	FD03	2909-001051	FILTER-LC;6MHz,6MHz,0.8dB,TP,5dB/6MHz,30
....4	RD613	2007-000084	R-CHIP;4.7Kohm,5%,1/16W,DA,TP,1608	...3	IC01	1204-001556	IC-SEPARATOR;UPD64082GF,QFP,100P,-PLAST
....4	RD614	2007-000074	R-CHIP;100ohm,5%,1/16W,DA,TP,1608	...3	IC02	1105-001334	IC-DRAM;4E151612,1Mx16Bit,TSOP,44P,400
....4	RD615	2007-000074	R-CHIP;100ohm,5%,1/16W,DA,TP,1608	...3	IC04	1203-001419	IC-VOLTAGE REGULATOR;4931,TO-252,3P,6.6x
....4	RD616	2007-000078	R-CHIP;1Kohm,5%,1/16W,DA,TP,1608	...3	JD01	2007-000070	R-CHIP;0ohm,5%,1/16W,DA,TP,1608
....4	RD617	2007-000078	R-CHIP;1Kohm,5%,1/16W,DA,TP,1608	...3	JD04	2007-000070	R-CHIP;0ohm,5%,1/16W,DA,TP,1608
....4	RD618	2007-000084	R-CHIP;4.7Kohm,5%,1/16W,DA,TP,1608	...3	LD01	2702-001095	INDUCTOR-RADIAL;18uH,10%,6x4mm
....4	RD619	2007-001179	R-CHIP;8.2Kohm,5%,1/16W,DA,TP,1608	...3	LD03	2702-001095	INDUCTOR-RADIAL;18uH,10%,6x4mm
....4	RD620	2007-000134	R-CHIP;33Kohm,5%,1/16W,DA,TP,1608	...3	LD05	2702-001096	INDUCTOR-RADIAL;33uH,10%,6x4mm
....4	RD621	2007-001010	R-CHIP;51Kohm,5%,1/16W,DA,TP,1608	...3	LD06	2702-001095	INDUCTOR-RADIAL;18uH,10%,6x4mm
....4	RD622	2007-000329	R-CHIP;11Kohm,5%,1/16W,DA,TP,1608	...3	LD07	2901-000297	FILTER-EMI ON BOARD;-3A,-,-3.5x5,TP-
....4	RD623	2007-000329	R-CHIP;11Kohm,5%,1/16W,DA,TP,1608	...3	LD09	2703-000271	INDUCTOR-SMD;4.7uH,10%,2x1.25x1.25mm
....4	RD624	2007-001010	R-CHIP;51Kohm,5%,1/16W,DA,TP,1608	...3	LD10	3301-001186	CORE-FERRITE BEAD;AB,600ohm,3.2x1.6x1.3m
....4	RD625	2007-001179	R-CHIP;8.2Kohm,5%,1/16W,DA,TP,1608	...3	PCB	AA41-00128E	PCB-3D COMB FILTER;CT-29A7DR,FR-4,2L,E,1
....4	RD626	2007-000134	R-CHIP;33Kohm,5%,1/16W,DA,TP,1608	...3	QD10	0501-000344	TR-SMALL SIGNAL;KSC1623-G,NPN,200mW,SOT-
....4	RD627	2007-000084	R-CHIP;4.7Kohm,5%,1/16W,DA,TP,1608	...3	QD11	0501-000280	TR-SMALL SIGNAL;KSA1182,PNP,150mW,SOT-23
....4	RD628	2007-000078	R-CHIP;1Kohm,5%,1/16W,DA,TP,1608	...3	QD12	0501-000280	TR-SMALL SIGNAL;KSA1182,PNP,150mW,SOT-23
....4	RD629	2007-000078	R-CHIP;1Kohm,5%,1/16W,DA,TP,1608	...3	QD13	0501-000344	TR-SMALL SIGNAL;KSC1623-G,NPN,200mW,SOT-
....4	RD638	2007-000078	R-CHIP;1Kohm,5%,1/16W,DA,TP,1608	...3	QD14	0501-000280	TR-SMALL SIGNAL;KSA1182,PNP,150mW,SOT-23
.2	AA95-00981B	ASSY-PCB 3D COMB;WT-3Z25HD,K54A		...3	QD15	0501-000280	TR-SMALL SIGNAL;KSA1182,PNP,150mW,SOT-23
...3	CD10	2401-001496	C-AL;47uF,20%,16V,GP,TP,5x7,5	...3	QD16	0501-000280	TR-SMALL SIGNAL;KSA1182,PNP,150mW,SOT-23
...3	CD11	2203-000181	C-CERAMIC,CHIP;100nF,+80-20%,25V,Y5V,TP,	...3	QD17	0501-000344	TR-SMALL SIGNAL;KSC1623-G,NPN,200mW,SOT-
...3	CD12	2401-002464	C-AL;47uF,20%,16V,BP,TP,8x11,5,5	...3	QD18	0501-000280	TR-SMALL SIGNAL;KSA1182,PNP,150mW,SOT-23
...3	CD18	2401-001914	C-AL;1uF,20%,50V,BP,TP,5x11,5	...3	QD19	0501-000344	TR-SMALL SIGNAL;KSC1623-G,NPN,200mW,SOT-
...3	CD20	2203-000181	C-CERAMIC,CHIP;100nF,+80-20%,25V,Y5V,TP,	...3	QD20	0501-000280	TR-SMALL SIGNAL;KSA1182,PNP,150mW,SOT-23
...3	CD21	2203-000181	C-CERAMIC,CHIP;100nF,+80-20%,25V,Y5V,TP,	...3	QD21	0501-000344	TR-SMALL SIGNAL;KSC1623-G,NPN,200mW,SOT-
...3	CD22	2203-001034	C-CERAMIC,CHIP;5.6nF,10%,50V,X7R,TP,1608	...3	QD22	0501-000280	TR-SMALL SIGNAL;KSA1182,PNP,150mW,SOT-23
...3	CD23	2401-000598	C-AL;1uF,20%,50V,GP,TP,4x7,5	...3	QD23	0501-000344	TR-SMALL SIGNAL;KSC1623-G,NPN,200mW,SOT-
...3	CD24	2401-000455	C-AL;10uF,20%,35V,GP,TP,4x7mm,5mm	...3	QD24	0501-000344	TR-SMALL SIGNAL;KSC1623-G,NPN,200mW,SOT-
...3	CD40	2301-000111	C-FILM,PEF;1.8nF,5%,50V,TP,6.5x3.0x5.5mm	...3	QD25	0501-000280	TR-SMALL SIGNAL;KSA1182,PNP,150mW,SOT-23
...3	CD41	2203-000181	C-CERAMIC,CHIP;100nF,+80-20%,25V,Y5V,TP,	...3	QD26	0501-000344	TR-SMALL SIGNAL;KSC1623-G,NPN,200mW,SOT-
...3	CD42	2203-000181	C-CERAMIC,CHIP;100nF,+80-20%,25V,Y5V,TP,	...3	QD27	0501-000344	TR-SMALL SIGNAL;KSC1623-G,NPN,200mW,SOT-
...3	CD43	2203-000181	C-CERAMIC,CHIP;100nF,+80-20%,25V,Y5V,TP,	...3	QD28	0501-000280	TR-SMALL SIGNAL;KSA1182,PNP,150mW,SOT-23
...3	CD44	2203-000181	C-CERAMIC,CHIP;100nF,+80-20%,25V,Y5V,TP,	...3	QD40	0501-000344	TR-SMALL SIGNAL;KSC1623-G,NPN,200mW,SOT-
...3	CD45	2401-000455	C-AL;10uF,20%,35V,GP,TP,4x7mm,5mm	...3	QD41	0501-000344	TR-SMALL SIGNAL;KSC1623-G,NPN,200mW,SOT-
...3	CD46	2203-000181	C-CERAMIC,CHIP;100nF,+80-20%,25V,Y5V,TP,	...3	RD00	2007-000074	R-CHIP;100ohm,5%,1/16W,DA,TP,1608
...3	CD47	2401-000455	C-AL;10uF,20%,35V,GP,TP,4x7mm,5mm	...3	RD01	2007-000074	R-CHIP;100ohm,5%,1/16W,DA,TP,1608
...3	CD50	2203-000181	C-CERAMIC,CHIP;100nF,+80-20%,25V,Y5V,TP,	...3	RD02	2007-000119	R-CHIP;560ohm,5%,1/16W,DA,TP,1608
...3	CD51	2203-000181	C-CERAMIC,CHIP;100nF,+80-20%,25V,Y5V,TP,	...3	RD03	2007-000074	R-CHIP;100ohm,5%,1/16W,DA,TP,1608
...3	CD52	2203-000181	C-CERAMIC,CHIP;100nF,+80-20%,25V,Y5V,TP,	...3	RD04	2007-000094	R-CHIP;22Kohm,5%,1/16W,DA,TP,1608
...3	CD53	2203-000181	C-CERAMIC,CHIP;100nF,+80-20%,25V,Y5V,TP,	...3	RD05	2007-000088	R-CHIP;7.5Kohm,5%,1/16W,DA,TP,1608
...3	CD54	2203-000181	C-CERAMIC,CHIP;100nF,+80-20%,25V,Y5V,TP,	...3	RD06	2007-000078	R-CHIP;1Kohm,5%,1/16W,DA,TP,1608
...3	CD55	2203-000181	C-CERAMIC,CHIP;100nF,+80-20%,25V,Y5V,TP,	...3	RD07	2007-000078	R-CHIP;1Kohm,5%,1/16W,DA,TP,1608
...3	CD56	2203-000181	C-CERAMIC,CHIP;100nF,+80-20%,25V,Y5V,TP,	...3	RD08	2007-000119	R-CHIP;560ohm,5%,1/16W,DA,TP,1608
...3	CD57	2401-001496	C-AL;47uF,20%,16V,GP,TP,5x7,5	...3	RD09	2007-000086	R-CHIP;5.6Kohm,5%,1/16W,DA,TP,1608
...3	CD58	2203-000181	C-CERAMIC,CHIP;100nF,+80-20%,25V,Y5V,TP,	...3	RD10	2007-000074	R-CHIP;100ohm,5%,1/16W,DA,TP,1608
...3	CD59	2401-001496	C-AL;47uF,20%,16V,GP,TP,5x7,5	...3	RD11	2007-000074	R-CHIP;100ohm,5%,1/16W,DA,TP,1608

Loc. No.	Code No.	Description ; Specification	Remark
...4	IC110	0801-001156	IC-CMOS LOGIC;74HC4066,BILATERAL SWITCH,
...4	IC111	1001-000105	IC-ANALOG SWITCH;CD4066BM,BILATERAL CMOS
...4	IC112	1001-000105	IC-ANALOG SWITCH;CD4066BM,BILATERAL CMOS
...4	IC201	1203-001502	IC-POS.FIXED REG.;431,SOT-23,3P,-,PLAST
...4	PCB	AA41-00188F	PCB-CONVERGENCE MODULE;SVP-43J5M,FR-4,2L
...4	Q101	0501-000280	TR-SMALL SIGNAL;KSA1182,PNP,150mW,SOT-23
...4	Q102	0501-000342	TR-SMALL SIGNAL;KSC1623-Y,NPN,200mW,SOT-
...4	Q103	0501-000342	TR-SMALL SIGNAL;KSC1623-Y,NPN,200mW,SOT-
...4	Q104	0501-000280	TR-SMALL SIGNAL;KSA1182,PNP,150mW,SOT-23
...4	Q107	0501-000342	TR-SMALL SIGNAL;KSC1623-Y,NPN,200mW,SOT-
...4	Q109	0505-000257	FET-SILICON;2SK217,N,-,20mA,-,150mW,SOT-
...4	Q110	0505-000257	FET-SILICON;2SK217,N,-,20mA,-,150mW,SOT-
...4	Q111	0505-000257	FET-SILICON;2SK217,N,-,20mA,-,150mW,SOT-
...4	Q112	0505-000257	FET-SILICON;2SK217,N,-,20mA,-,150mW,SOT-
...4	Q113	0505-000257	FET-SILICON;2SK217,N,-,20mA,-,150mW,SOT-
...4	Q114	0505-000257	FET-SILICON;2SK217,N,-,20mA,-,150mW,SOT-
...4	R101	2007-000882	R-CHIP;4.7ohm,5%,1/16W,DA,TP,1608
...4	R102	2007-000070	R-CHIP;0ohm,5%,1/16W,DA,TP,1608
...4	R103	2007-000882	R-CHIP;4.7ohm,5%,1/16W,DA,TP,1608
...4	R104	2007-000882	R-CHIP;4.7ohm,5%,1/16W,DA,TP,1608
...4	R105	2007-000416	R-CHIP;15ohm,5%,1/16W,DA,TP,1608
...4	R106	2007-000072	R-CHIP;47ohm,5%,1/16W,DA,TP,1608
...4	R107	2007-000102	R-CHIP;100Kohm,5%,1/16W,DA,TP,1608
...4	R108	2007-000084	R-CHIP;4.7Kohm,5%,1/16W,DA,TP,1608
...4	R109	2007-000124	R-CHIP;2.2Kohm,5%,1/16W,DA,TP,1608
...4	R110	2007-000122	R-CHIP;1Kohm,5%,1/16W,DA,TP,1608
...4	R111	2007-000381	R-CHIP;13Kohm,5%,1/16W,DA,TP,1608
...4	R112	2007-000078	R-CHIP;1Kohm,5%,1/16W,DA,TP,1608
...4	R113	2007-000099	R-CHIP;62Kohm,5%,1/16W,DA,TP,1608
...4	R114	2007-000309	R-CHIP;10ohm,5%,1/16W,DA,TP,1608
...4	R116	2007-000078	R-CHIP;1Kohm,5%,1/16W,DA,TP,1608
...4	R117	2007-000078	R-CHIP;1Kohm,5%,1/16W,DA,TP,1608
...4	R118	2007-000078	R-CHIP;1Kohm,5%,1/16W,DA,TP,1608
...4	R119	2007-000078	R-CHIP;1Kohm,5%,1/16W,DA,TP,1608
...4	R120	2007-000074	R-CHIP;100ohm,5%,1/16W,DA,TP,1608
...4	R121	2007-000075	R-CHIP;220ohm,5%,1/16W,DA,TP,1608
...4	R122	2007-000078	R-CHIP;1Kohm,5%,1/16W,DA,TP,1608
...4	R124	2007-000078	R-CHIP;1Kohm,5%,1/16W,DA,TP,1608
...4	R125	2007-000402	R-CHIP;150ohm,5%,1/16W,DA,TP,1608
...4	R126	2007-000402	R-CHIP;150ohm,5%,1/16W,DA,TP,1608
...4	R127	2007-000402	R-CHIP;150ohm,5%,1/16W,DA,TP,1608
...4	R128	2007-000074	R-CHIP;100ohm,5%,1/16W,DA,TP,1608
...4	R129	2007-000043	R-CHIP;1Kohm,1%,1/16W,DA,TP,1608
...4	R130	2007-000869	R-CHIP;4.7Kohm,1%,1/16W,DA,TP,1608
...4	R131	2007-000086	R-CHIP;5.6Kohm,5%,1/16W,DA,TP,1608
...4	R132	2007-000043	R-CHIP;1Kohm,1%,1/16W,DA,TP,1608
...4	R133	2007-000869	R-CHIP;4.7Kohm,1%,1/16W,DA,TP,1608
...4	R134	2007-000086	R-CHIP;5.6Kohm,5%,1/16W,DA,TP,1608
...4	R135	2007-000074	R-CHIP;100ohm,5%,1/16W,DA,TP,1608
...4	R136	2007-000074	R-CHIP;100ohm,5%,1/16W,DA,TP,1608
...4	R137	2007-000043	R-CHIP;1Kohm,1%,1/16W,DA,TP,1608
...4	R138	2007-000869	R-CHIP;4.7Kohm,1%,1/16W,DA,TP,1608
...4	R139	2007-000086	R-CHIP;5.6Kohm,5%,1/16W,DA,TP,1608
...4	R140	2007-000043	R-CHIP;1Kohm,1%,1/16W,DA,TP,1608
...4	R141	2007-000869	R-CHIP;4.7Kohm,1%,1/16W,DA,TP,1608
...4	R142	2007-000086	R-CHIP;5.6Kohm,5%,1/16W,DA,TP,1608
...4	R143	2007-000074	R-CHIP;100ohm,5%,1/16W,DA,TP,1608
...4	R144	2007-000074	R-CHIP;100ohm,5%,1/16W,DA,TP,1608
...4	R145	2007-000043	R-CHIP;1Kohm,1%,1/16W,DA,TP,1608
...4	R146	2007-000869	R-CHIP;4.7Kohm,1%,1/16W,DA,TP,1608
...4	R147	2007-000086	R-CHIP;5.6Kohm,5%,1/16W,DA,TP,1608
...4	R148	2007-000043	R-CHIP;1Kohm,1%,1/16W,DA,TP,1608
...4	R149	2007-000869	R-CHIP;4.7Kohm,1%,1/16W,DA,TP,1608
...4	R150	2007-000086	R-CHIP;5.6Kohm,5%,1/16W,DA,TP,1608
...4	R151	2007-000074	R-CHIP;100ohm,5%,1/16W,DA,TP,1608
...4	R152	2007-000102	R-CHIP;100Kohm,5%,1/16W,DA,TP,1608
...4	R153	2007-000084	R-CHIP;4.7Kohm,5%,1/16W,DA,TP,1608
...4	R154	2007-000134	R-CHIP;33Kohm,5%,1/16W,DA,TP,1608
...4	R155	2007-000090	R-CHIP;10Kohm,5%,1/16W,DA,TP,1608
...4	R156	2007-001056	R-CHIP;6.2Kohm,5%,1/16W,DA,TP,1608
...4	R157	2007-000080	R-CHIP;2Kohm,5%,1/16W,DA,TP,1608
...4	R158	2007-000078	R-CHIP;1Kohm,5%,1/16W,DA,TP,1608
...4	R159	2007-001167	R-CHIP;75ohm,5%,1/16W,DA,TP,1608
...4	R160	2007-000078	R-CHIP;1Kohm,5%,1/16W,DA,TP,1608
...4	R161	2007-000074	R-CHIP;100ohm,5%,1/16W,DA,TP,1608
...4	R162	2007-000074	R-CHIP;100ohm,5%,1/16W,DA,TP,1608
...4	R163	2007-000074	R-CHIP;100ohm,5%,1/16W,DA,TP,1608

Loc. No.	Code No.	Description ; Specification	Remark
...4	R164	2007-000078	R-CHIP;1Kohm,5%,1/16W,DA,TP,1608
...4	R165	2007-000078	R-CHIP;1Kohm,5%,1/16W,DA,TP,1608
...4	R167	2007-000074	R-CHIP;100ohm,5%,1/16W,DA,TP,1608
...4	R175	2007-000090	R-CHIP;10Kohm,5%,1/16W,DA,TP,1608
...4	R176	2007-000084	R-CHIP;4.7Kohm,5%,1/16W,DA,TP,1608
...4	R178	2007-000729	R-CHIP;300ohm,5%,1/16W,DA,TP,1608
...4	R179	2007-000729	R-CHIP;300ohm,5%,1/16W,DA,TP,1608
...4	R180	2007-000729	R-CHIP;300ohm,5%,1/16W,DA,TP,1608
...4	R181	2007-000729	R-CHIP;300ohm,5%,1/16W,DA,TP,1608
...4	R182	2007-000729	R-CHIP;300ohm,5%,1/16W,DA,TP,1608
...4	R183	2007-000729	R-CHIP;300ohm,5%,1/16W,DA,TP,1608
...4	R192	2007-000309	R-CHIP;10ohm,5%,1/16W,DA,TP,1608
...4	R193	2007-000084	R-CHIP;4.7Kohm,5%,1/16W,DA,TP,1608
...4	R194	2007-000084	R-CHIP;4.7Kohm,5%,1/16W,DA,TP,1608
...4	R201	2007-000070	R-CHIP;0ohm,5%,1/16W,DA,TP,1608
...4	R203	2007-000106	R-CHIP;220Kohm,5%,1/16W,DA,TP,1608
...4	R204	2007-000106	R-CHIP;220Kohm,5%,1/16W,DA,TP,1608
...4	R205	2007-000106	R-CHIP;220Kohm,5%,1/16W,DA,TP,1608
...4	R206	2007-000106	R-CHIP;220Kohm,5%,1/16W,DA,TP,1608
...4	R207	2007-000106	R-CHIP;220Kohm,5%,1/16W,DA,TP,1608
...4	R208	2007-000106	R-CHIP;220Kohm,5%,1/16W,DA,TP,1608
...4	R301	2007-000402	R-CHIP;150ohm,5%,1/16W,DA,TP,1608
...4	R302	2007-000402	R-CHIP;150ohm,5%,1/16W,DA,TP,1608
...4	R303	2007-000093	R-CHIP;20Kohm,5%,1/16W,DA,TP,1608
...4	R304	2007-000093	R-CHIP;20Kohm,5%,1/16W,DA,TP,1608
...4	R305	2007-000078	R-CHIP;1Kohm,5%,1/16W,DA,TP,1608
...4	R306	2007-000704	R-CHIP;3.6Kohm,5%,1/16W,DA,TP,1608
...4	R307	2007-000691	R-CHIP;3.3Mohm,5%,1/16W,DA,TP,1608
...4	R308	2007-000074	R-CHIP;100ohm,5%,1/16W,DA,TP,1608
...4	X101	2801-003860	CRYSTAL-SMD;24MHz,30ppm,28-ABV,20Pf,50oh
.2		AA65-30105B	CLAMP-WIRE;NYLON 66,V2,NTR,25MM,ALL MODE
.2		AA59-00171A	MODULE-FOCUS,PACK;SVP-5200,S300-P3,-,-,-
.2		AA65-30018A	CLAMP-WIRE;NYLON-66,-,-,DATL-600,DONG-A
.2		AA65-30104B	CLAMP-WIRE;NYLON 66,V2,BLK,W2 Z5,ALL MOD
.2		AA95-01103A	ASSY-PCB,SOUND;PCL5415R,P54A
.3	CN601	3703-001175	CONNECTOR-DIN;64P;2R,MALE,ANGLE,AU
.3	XD601	2801-000186	CRYSTAL-UNIT;18.432MHz,25ppm,28-AAM,8pF,
.3		0202-001167	SOLDER-CREAM;RX3603-2330HO,S45A,PASTE,SN
.3		0202-000187	SOLDER-WIRE FLUX;-RS60S,D1.2,63Sn/37Pb
.3		AA99-20091S	ASSY-PCB SUB,AUTO;AA95-01103A V
...4	CD601	2401-000444	C-AL;10uF,20%,25V,GP,TP;5x5mm,5mm
...4	CD602	2203-000181	C-CERAMIC,CHIP;100nF,+80-20%,25V,Y5V,TP,
...4	CD603	2401-001250	C-AL;4.7uF,20%,35V,GP,TP;4x5,5
...4	CD604	2401-000486	C-AL;10uF,20%,50V,GP,TP;6.3x7mm,5
...4	CD605	2401-001250	C-AL;4.7uF,20%,35V,GP,TP;4x5,5
...4	CD606	2203-000181	C-CERAMIC,CHIP;100nF,+80-20%,25V,Y5V,TP,
...4	CD607	2401-001250	C-AL;4.7uF,20%,35V,GP,TP;4x5,5
...4	CD608	2401-001250	C-AL;4.7uF,20%,35V,GP,TP;4x5,5
...4	CD610	2401-001250	C-AL;4.7uF,20%,35V,GP,TP;4x5,5
...4	CD611	2401-001250	C-AL;4.7uF,20%,35V,GP,TP;4x5,5
...4	CD612	2401-001250	C-AL;4.7uF,20%,35V,GP,TP;4x5,5
...4	CD613	2203-000181	C-CERAMIC,CHIP;100nF,+80-20%,25V,Y5V,TP,
...4	CD614	2401-000486	C-AL;10uF,20%,50V,GP,TP;6.3x7mm,5
...4	CD616	2401-000486	C-AL;10uF,20%,50V,GP,TP;6.3x7mm,5
...4	CD617	2203-001211	C-CERAMIC,CHIP;8.2nF,10%,50V,X7R,TP,1608
...4	CD618	2203-001211	C-CERAMIC,CHIP;8.2nF,10%,50V,X7R,TP,1608
...4	CD619	2203-001211	C-CERAMIC,CHIP;8.2nF,10%,50V,X7R,TP,1608
...4	CD620	2203-001211	C-CERAMIC,CHIP;8.2nF,10%,50V,X7R,TP,1608
...4	CD621	2401-000922	C-AL;22uF,20%,16V,GP,TP;5x5,5
...4	CD622	2401-000922	C-AL;22uF,20%,16V,GP,TP;5x5,5
...4	CD623	2401-000922	C-AL;22uF,20%,16V,GP,TP;5x5,5
...4	CD624	2401-000922	C-AL;22uF,20%,16V,GP,TP;5x5,5
...4	CD625	2401-000922	C-AL;22uF,20%,16V,GP,TP;5x5,5
...4	CD626	2401-000426	C-AL;10uF,20%,16V,GP,TP;3.5x5,5
...4	CD627	2401-000922	C-AL;22uF,20%,16V,GP,TP;5x5,5
...4	CD628	2401-000922	C-AL;22uF,20%,16V,GP,TP;5x5,5
...4	CD629	2203-005590	C-CERAMIC,CHIP;330NF,10%,16V,X7R,TP,2012
...4	CD630	2401-000426	C-AL;10uF,20%,16V,GP,TP;3.5x5,5
...4	CD631	2203-000181	C-CERAMIC,CHIP;100nF,+80-20%,25V,Y5V,TP,
...4	CD632	2401-000444	C-AL;10uF,20%,25V,GP,TP;5x5mm,5mm
...4	CD633	2203-000332	C-CERAMIC,CHIP;0.012nF,5%,50V,NPO,TP,160
...4	CD634	2203-000332	C-CERAMIC,CHIP;0.012nF,5%,50V,NPO,TP,160
...4	CD635	2203-001071	C-CERAMIC,CHIP;0.056nF,5%,50V,NPO,TP,160
...4	CD636	2203-001071	C-CERAMIC,CHIP;0.056nF,5%,50V,NPO,TP,160
...4	CD637	2203-001071	C-CERAMIC,CHIP;0.056nF,5%,50V,NPO,TP,160
...4	CD638	2203-000236	C-CERAMIC,CHIP;0.1nF,5%,50V,NPO,TP,1608

Electrical Parts List

Loc. No.	Code No.	Description ; Specification	Remark	Loc. No.	Code No.	Description ; Specification	Remark
...3	RD12	2007-000094	R-CHIP;22Kohm,5%,1/16W,DA,TP,1608	....4	C903	2203-000595	C-CERAMIC,CHIP;0.22nF,5%,50V,NP0,TP,2012
...3	RD13	2007-000088	R-CHIP;7.5Kohm,5%,1/16W,DA,TP,1608	....4	C904	2201-000119	C-CERAMIC,DISC;100nF,+80-20%,50V,Y5V,TP,
...3	RD14	2007-000309	R-CHIP;10ohm,5%,1/16W,DA,TP,1608	....4	C905	2401-001496	C-AL;47uF,20%,16V,GP,TP5x7,5
...3	RD15	2007-000078	R-CHIP;1Kohm,5%,1/16W,DA,TP,1608	....4	C906	2201-000119	C-CERAMIC,DISC;100nF,+80-20%,50V,Y5V,TP,
...3	RD16	2007-000119	R-CHIP;560ohm,5%,1/16W,DA,TP,1608	....4	C907	2301-000111	C-FILM,PEF;1.8nF,5%,50V,TP6.5x3.0x5.5mm
...3	RD17	2007-000086	R-CHIP;5.6Kohm,5%,1/16W,DA,TP,1608	....4	C908	2201-000292	C-CERAMIC,DISC;1nF,10%,50V,Y5P,TP,5x3.5,
...3	RD18	2007-000074	R-CHIP;100ohm,5%,1/16W,DA,TP,1608	....4	C909	2201-000292	C-CERAMIC,DISC;1nF,10%,50V,Y5P,TP,5x3.5,
...3	RD19	2007-000119	R-CHIP;560ohm,5%,1/16W,DA,TP,1608	....4	C910	2201-000292	C-CERAMIC,DISC;1nF,10%,50V,Y5P,TP,5x3.5,
...3	RD20	2007-001093	R-CHIP;620ohm,5%,1/16W,DA,TP,1608	....4	C911	2306-000122	C-FILM,MPPF;100nF,5%,50V,TP7.3x4.0x5.0m
...3	RD21	2007-000075	R-CHIP;220ohm,5%,1/16W,DA,TP,1608	....4	C912	2201-000119	C-CERAMIC,DISC;100nF,+80-20%,50V,Y5V,TP,
...3	RD22	2007-000078	R-CHIP;1Kohm,5%,1/16W,DA,TP,1608	....4	C913	2201-000193	C-CERAMIC,DISC;0.01nF,0.25pF,50V,NP0,TP,
...3	RD23	2007-000124	R-CHIP;2.2Kohm,5%,1/16W,DA,TP,1608	....4	C914	2201-000578	C-CERAMIC,DISC;0.047nF,5%,50V,UJ,TP,5x3.
...3	RD24	2007-000097	R-CHIP;47Kohm,5%,1/16W,DA,TP,1608	....4	C915	2201-000119	C-CERAMIC,DISC;100nF,+80-20%,50V,Y5V,TP,
...3	RD25	2007-000106	R-CHIP;220Kohm,5%,1/16W,DA,TP,1608	....4	C916	2401-002183	C-AL;220uF,20%,16V,GP,TP,8x9,5mm
...3	RD26	2007-000077	R-CHIP;470ohm,5%,1/16W,DA,TP,1608	....4	C917	2401-001496	C-AL;47uF,20%,16V,GP,TP5x7,5
...3	RD27	2007-000084	R-CHIP;4.7Kohm,5%,1/16W,DA,TP,1608	....4	C918	2201-000119	C-CERAMIC,DISC;100nF,+80-20%,50V,Y5V,TP,
...3	RD37	2007-001093	R-CHIP;620ohm,5%,1/16W,DA,TP,1608	....4	C919	2401-000486	C-AL;10uF,20%,50V,GP,TP6.3x7mm,5
...3	RD38	2007-000074	R-CHIP;100ohm,5%,1/16W,DA,TP,1608	....4	C920	2201-000119	C-CERAMIC,DISC;100nF,+80-20%,50V,Y5V,TP,
...3	RD39	2007-000078	R-CHIP;1Kohm,5%,1/16W,DA,TP,1608	....4	C921	2203-000595	C-CERAMIC,CHIP;0.22nF,5%,50V,NP0,TP,2012
...3	RD40	2007-000583	R-CHIP;22Kohm,5%,1/16W,DA,TP,1608	....4	C925	2201-000119	C-CERAMIC,DISC;100nF,+80-20%,50V,Y5V,TP,
...3	RD41	2007-000052	R-CHIP;10Kohm,1%,1/16W,DA,TP,1608	....4	C926	2401-000486	C-AL;10uF,20%,50V,GP,TP6.3x7mm,5
...3	RD42	2007-000583	R-CHIP;22Kohm,1%,1/16W,DA,TP,1608	....4	C927	2201-000578	C-CERAMIC,DISC;0.047nF,5%,50V,UJ,TP,5x3.
...3	RD43	2007-000869	R-CHIP;4.7Kohm,5%,1/16W,DA,TP,1608	....4	C928	2201-000578	C-CERAMIC,DISC;0.047nF,5%,50V,UJ,TP,5x3.
...3	RD50	2007-000074	R-CHIP;100ohm,5%,1/16W,DA,TP,1608	....4	D901	0401-000133	DIODE-SWITCHING;RLS4148,100V,200mA,SOD-8
...3	RD51	2007-000078	R-CHIP;1Kohm,5%,1/16W,DA,TP,1608	....4	D902	0401-000133	DIODE-SWITCHING;RLS4148,100V,200mA,SOD-8
...3	RD59	2007-000102	R-CHIP;100Kohm,5%,1/16W,DA,TP,1608	....4	D903	0401-000133	DIODE-SWITCHING;RLS4148,100V,200mA,SOD-8
...3	RD62	2007-000309	R-CHIP;10ohm,5%,1/16W,DA,TP,1608	....4	D904	0401-000133	DIODE-SWITCHING;RLS4148,100V,200mA,SOD-8
...3	RD63	2007-000124	R-CHIP;2.2Kohm,5%,1/16W,DA,TP,1608	....4	D905	0401-000133	DIODE-SWITCHING;RLS4148,100V,200mA,SOD-8
...3	RD64	2007-000078	R-CHIP;1Kohm,5%,1/16W,DA,TP,1608	....4	DZ903	0403-001016	DIODE-ZENER;RLZ6.2B,6.2V,5.96-6.27V,400m
...3	RD65	2007-000078	R-CHIP;1Kohm,5%,1/16W,DA,TP,1608	....4	DZ904	0403-001016	DIODE-ZENER;RLZ6.2B,6.2V,5.96-6.27V,400m
...3	RD66	2007-000096	R-CHIP;30Kohm,5%,1/16W,DA,TP,1608	....4	DZ905	0403-001016	DIODE-ZENER;RLZ6.2B,6.2V,5.96-6.27V,400m
...3	RD67	2007-000125	R-CHIP;3.9Kohm,5%,1/16W,DA,TP,1608	....4	DZ911	0403-000620	DIODE-ZENER;RLZ5.6B,5.6,500mW,LL-34,TP
...3	RD68	2007-000124	R-CHIP;2.2Kohm,5%,1/16W,DA,TP,1608	....4	DZ912	0403-000620	DIODE-ZENER;RLZ5.6B,5.6,500mW,LL-34,TP
...3	RD69	2007-000077	R-CHIP;470ohm,5%,1/16W,DA,TP,1608	....4	DZ913	0403-000620	DIODE-ZENER;RLZ5.6B,5.6,500mW,LL-34,TP
...3	RD70	2007-000077	R-CHIP;470ohm,5%,1/16W,DA,TP,1608	....4	DZ916	0403-001016	DIODE-ZENER;RLZ6.2B,6.2V,5.96-6.27V,400m
...3	RD71	2007-000234	R-CHIP;1.3Kohm,5%,1/16W,DA,TP,1608	....4	DZ917	0403-001016	DIODE-ZENER;RLZ6.2B,6.2V,5.96-6.27V,400m
...3	RD72	2007-000077	R-CHIP;470ohm,5%,1/16W,DA,TP,1608	....4	DZ918	0403-001016	DIODE-ZENER;RLZ6.2B,6.2V,5.96-6.27V,400m
...3	RD73	2007-000074	R-CHIP;100ohm,5%,1/16W,DA,TP,1608	....4	F901	2901-000297	FILTER-EMI ON BOARD;-3A,-,-,3.5x5,TP-
...3	RD74	2007-000077	R-CHIP;470ohm,5%,1/16W,DA,TP,1608	....4	IC903	1203-001274	IC-VOL. DETECTOR;7545,TO-92,3P,-,PLASTIC
...3	RD75	2007-000074	R-CHIP;100ohm,5%,1/16W,DA,TP,1608	....4	IC904	1203-000515	IC-VOL. DETECTOR;7042,TO-92,3P,177MIL,PL
...3	RD76	2007-000074	R-CHIP;100ohm,5%,1/16W,DA,TP,1608	....4	L902	2702-001094	INDUCTOR-RADIAL;10uH,10%,6x4mm
...3	RD77	2007-000074	R-CHIP;100ohm,5%,1/16W,DA,TP,1608	....4	L910	2901-000297	FILTER-EMI ON BOARD;-3A,-,-,3.5x5,TP-
...3	RD78	2007-000074	R-CHIP;100ohm,5%,1/16W,DA,TP,1608	....4	L911	2901-000297	FILTER-EMI ON BOARD;-3A,-,-,3.5x5,TP-
...3	RD79	2007-000074	R-CHIP;100ohm,5%,1/16W,DA,TP,1608	....4	L912	2901-000297	FILTER-EMI ON BOARD;-3A,-,-,3.5x5,TP-
...3	RD82	2007-000309	R-CHIP;10ohm,5%,1/16W,DA,TP,1608	....4	L913	2702-001094	INDUCTOR-RADIAL;10uH,10%,6x4mm
...3	RD83	2007-000124	R-CHIP;2.2Kohm,5%,1/16W,DA,TP,1608	....4	PCB	AA41-00338A	PCB-MICOM;PCL545R,FR-4,2L,A,1.6T,180X245
...3	RD84	2007-000119	R-CHIP;560ohm,5%,1/16W,DA,TP,1608	....4	Q901	0501-000389	TR-SMALL SIGNAL;KSC815,NPN,400mW,TO-92,T
...3	RD85	2007-000086	R-CHIP;5.6Kohm,5%,1/16W,DA,TP,1608	....4	Q902	0501-000389	TR-SMALL SIGNAL;KSC815,NPN,400mW,TO-92,T
...3	RD86	2007-000077	R-CHIP;470ohm,5%,1/16W,DA,TP,1608	....4	Q903	0501-000389	TR-SMALL SIGNAL;KSC815,NPN,400mW,TO-92,T
...3	RD87	2007-000077	R-CHIP;470ohm,5%,1/16W,DA,TP,1608	....4	Q909	0501-000283	TR-SMALL SIGNAL;KSA539,PNP,400mW,TO-92,T
...3	RD88	2007-000211	R-CHIP;1.1Kohm,5%,1/16W,DA,TP,1608	....4	Q910	0501-000389	TR-SMALL SIGNAL;KSC815,NPN,400mW,TO-92,T
...3	RD89	2007-000113	R-CHIP;33ohm,5%,1/16W,DA,TP,1608	....4	Q911	0501-000389	TR-SMALL SIGNAL;KSC815,NPN,400mW,TO-92,T
...3	RD90	2007-000074	R-CHIP;100ohm,5%,1/16W,DA,TP,1608	....4	R901	2007-000084	R-CHIP;4.7Kohm,5%,1/16W,DA,TP,1608
...3	RD91	2007-000077	R-CHIP;470ohm,5%,1/16W,DA,TP,1608	....4	R902	2007-000097	R-CHIP;47Kohm,5%,1/16W,DA,TP,1608
...3	RD92	2007-000074	R-CHIP;100ohm,5%,1/16W,DA,TP,1608	....4	R903	2007-000078	R-CHIP;1Kohm,5%,1/16W,DA,TP,1608
...3	RD93	2007-000070	R-CHIP;0ohm,5%,1/16W,DA,TP,1608	....4	R904	2007-000090	R-CHIP;10Kohm,5%,1/16W,DA,TP,1608
...3	RD94	2007-000070	R-CHIP;0ohm,5%,1/16W,DA,TP,1608	....4	R905	2007-000084	R-CHIP;4.7Kohm,5%,1/16W,DA,TP,1608
...3	RD95	2007-000078	R-CHIP;1Kohm,5%,1/16W,DA,TP,1608	....4	R907	2007-000078	R-CHIP;1Kohm,5%,1/16W,DA,TP,1608
...3	RD96	2007-000077	R-CHIP;470ohm,5%,1/16W,DA,TP,1608	....4	R908	2007-000078	R-CHIP;1Kohm,5%,1/16W,DA,TP,1608
...3	RD97	2007-000077	R-CHIP;470ohm,5%,1/16W,DA,TP,1608	....4	R911	2007-000090	R-CHIP;10Kohm,5%,1/16W,DA,TP,1608
...3	RD98	2007-000070	R-CHIP;0ohm,5%,1/16W,DA,TP,1608	....4	R912	2007-000076	R-CHIP;330ohm,5%,1/16W,DA,TP,1608
...3	XTAL01	2801-000199	CRYSTAL-UNIT;20MHz,50ppm,28-AAA,16pF,50o	....4	R913	2007-000097	R-CHIP;47Kohm,5%,1/16W,DA,TP,1608
...3		AA98-60005J	ASSY-SUB,PART;S51A,SOUND,NICAM,-	....4	R914	2007-000074	R-CHIP;100ohm,5%,1/16W,DA,TP,1608
....4		0202-001004	SOLDER-CREAM;SQ-2030M SZH-1,S63A,D0,04,6	....4	R915	2007-000074	R-CHIP;100ohm,5%,1/16W,DA,TP,1608
....4		0202-000187	SOLDER-WIRE FLUX;-RS60S,D1,2.63Sn/37Pb	....4	R916	2007-000081	R-CHIP;2.7Kohm,5%,1/16W,DA,TP,1608
...3		AA63-40014A	SHIELD-CASE,T,-,SPT,TO.5,SCT51A,-	....4	R917	2007-000081	R-CHIP;2.7Kohm,5%,1/16W,DA,TP,1608
..2		AA95-00709A	ASSY-PCB,MICOM;-PCL545R,P54A	....4	R918	2007-000869	R-CHIP;4.7Kohm,1%,1/16W,DA,TP,1608
...3	CN901	3703-001175	CONNECTOR-DIN;64P,2R,MALE,ANGLE,AU	....4	R919	2007-000458	R-CHIP;18Kohm,5%,1/16W,DA,TP,1608
...3	IC901	AA09-00101A	IC MICOM;Z9037116PSC-OTP,SVP43J5M,52P,5	....4	R920	2007-000077	R-CHIP;470ohm,5%,1/16W,DA,TP,1608
...3	IC902	1103-001213	IC EEPROM;M24C16-WBNE,2048x8Bit,SDIP8P,	....4	R921	2007-000087	R-CHIP;6.8Kohm,5%,1/16W,DA,TP,1608
...3	L903	2701-001032	INDUCTOR-AXIAL;100uH,10%,5x14mm	....4	R922	2007-000087	R-CHIP;6.8Kohm,5%,1/16W,DA,TP,1608
...3	X901	2801-003224	CRYSTAL-UNIT;32.768KHZ,20PPM,28-AAAY,12.5	....4	R923	2007-000074	R-CHIP;100ohm,5%,1/16W,DA,TP,1608
...3		0202-000187	SOLDER-WIRE FLUX;-RS60S,D1,2.63Sn/37Pb	....4	R924	2007-000074	R-CHIP;100ohm,5%,1/16W,DA,TP,1608
...3		0202-001167	SOLDER-CREAM;RX3603-2330HO,S45A,PASTE,SN	....4	R925	2007-000123	R-CHIP;1.5Kohm,5%,1/16W,DA,TP,1608
...3		AA99-20080P	ASSY-PCB SUB,AUTO; AA95-00709A ,V	....4	R926	2007-000123	R-CHIP;1.5Kohm,5%,1/16W,DA,TP,1608
....4	C901	2201-000292	C-CERAMIC,DISC;1nF,10%,50V,Y5P,TP,5x3.5,	....4	R927	2007-000123	R-CHIP;1.5Kohm,5%,1/16W,DA,TP,1608
....4	C902	2203-000181	C-CERAMIC,CHIP;100nF,+80-20%,25V,Y5V,TP,	....4	R928	2007-000081	R-CHIP;2.7Kohm,5%,1/16W,DA,TP,1608



Loc. No.	Code No.	Description ; Specification	Remark
...4 R929	2007-000123	R-CHIP;1.5Kohm,5%,1/16W,DA,TP,1608	
...4 R930	2007-000084	R-CHIP;4.7Kohm,5%,1/16W,DA,TP,1608	
...4 R931	2007-000084	R-CHIP;4.7Kohm,5%,1/16W,DA,TP,1608	
...4 R932	2007-000084	R-CHIP;4.7Kohm,5%,1/16W,DA,TP,1608	
...4 R934	2007-000074	R-CHIP;100ohm,5%,1/16W,DA,TP,1608	
...4 R935	2007-000074	R-CHIP;100ohm,5%,1/16W,DA,TP,1608	
...4 R936	2007-000074	R-CHIP;100ohm,5%,1/16W,DA,TP,1608	
...4 R937	2007-000078	R-CHIP;1Kohm,5%,1/16W,DA,TP,1608	
...4 R945	2007-001093	R-CHIP;620ohm,5%,1/16W,DA,TP,1608	
...4 R946	2007-000090	R-CHIP;10Kohm,5%,1/16W,DA,TP,1608	
...4 R947	2007-000090	R-CHIP;10Kohm,5%,1/16W,DA,TP,1608	
...4 R948	2007-000078	R-CHIP;1Kohm,5%,1/16W,DA,TP,1608	
...4 R949	2007-000082	R-CHIP;3.3Kohm,5%,1/16W,DA,TP,1608	
...4 R950	2007-000078	R-CHIP;1Kohm,5%,1/16W,DA,TP,1608	
...4 R951	2007-000082	R-CHIP;3.3Kohm,5%,1/16W,DA,TP,1608	
...4 R958	2007-000074	R-CHIP;100ohm,5%,1/16W,DA,TP,1608	
...4 R959	2007-000074	R-CHIP;100ohm,5%,1/16W,DA,TP,1608	
...4 R960	2007-000074	R-CHIP;100ohm,5%,1/16W,DA,TP,1608	
...4 R961	2007-000084	R-CHIP;4.7Kohm,5%,1/16W,DA,TP,1608	
...4 R962	2007-000098	R-CHIP;56Kohm,5%,1/16W,DA,TP,1608	
...4 R963	2007-000082	R-CHIP;3.3Kohm,5%,1/16W,DA,TP,1608	
...4 R964	2007-000084	R-CHIP;4.7Kohm,5%,1/16W,DA,TP,1608	
...4 R965	2007-000084	R-CHIP;4.7Kohm,5%,1/16W,DA,TP,1608	
...4 R967	2007-000078	R-CHIP;1Kohm,5%,1/16W,DA,TP,1608	
...4 R968	2007-000078	R-CHIP;1Kohm,5%,1/16W,DA,TP,1608	
...4 R969	2007-000084	R-CHIP;4.7Kohm,5%,1/16W,DA,TP,1608	
...4 R971	2007-000086	R-CHIP;5.6Kohm,5%,1/16W,DA,TP,1608	
...4 R972	2007-000070	R-CHIP;0ohm,5%,1/16W,DA,TP,1608	
...4 R973	2007-000084	R-CHIP;4.7Kohm,5%,1/16W,DA,TP,1608	
...4 R974	2007-000078	R-CHIP;1Kohm,5%,1/16W,DA,TP,1608	
...4 R976	2007-000078	R-CHIP;1Kohm,5%,1/16W,DA,TP,1608	
...4 R977	2007-000305	R-CHIP;10Mohm,5%,1/16W,DA,TP,1608	
...4 R978	2007-000090	R-CHIP;10Kohm,5%,1/16W,DA,TP,1608	
...4 R981	2007-000122	R-CHIP;1.2Kohm,5%,1/16W,DA,TP,1608	
...4 R982	2007-000122	R-CHIP;1.2Kohm,5%,1/16W,DA,TP,1608	
...4 R983	2007-000122	R-CHIP;1.2Kohm,5%,1/16W,DA,TP,1608	

### ASSY CRT-(B)

Loc. No.	Code No.	Description ; Specification	Remark
△ 1	*AA94-03342A	ASSY CRT-(B);P16LSG03BMB,+380MG,7,-,PCL5	S.N.A
..2 BC+AL	AA60-10011A	SCREW-TAPTITE,-,SWRCH18A,M4,L12,HH,+ ,PC,	
..2	AA65-30114A	CLAMP-LOCK;NYLON 66,V2,NTR,-,PROJECTION,	
..2	AA64-01316B	CASE-COUPLER,BLUE;53,T2.0,AL SHEET,-,	
..2	AA61-00602B	BRACKET-LENS,RB;PROJECTION,SECC ,T1.6,-,	
..2	AA61-00555B	HOLDER-LANS;53J8,PC ABS,BLK,-,-,GF20%	
..2	AA27-00151A	DEFLECTION YOKE,-,CDY-PT0702(X),PRT,P16L	
..2	AA91-00491A	ASSY-HOLDER,PACK,-,-,FILM PP RUBBER,54J8	
..3	AA60-00062B	SPACER-O,RING;53,SILICON,-,-,-,GRAY,-,-	
..3	AA61-00477B	HOLDER-PACK;43,53,61J8,PP,-,HB,-,-	
..2	AA91-00449A	ASSY-BRACKET,CRT,-,-,SECC T1.0,PJT	
..3	AA61-00473B	BRACKET-CRT;53,SECC,T1.6,-,-,-,-	
..3	AA61-00478A	SPRING-WIRE,CRT;PJT,STS,-,-,-,-,-,-,-,	
..3	AA61-00615B	BRACKET-EARTH;54J8,PBS,T0.5,-,-,-,-,-	
..2	AA67-10007A	LENS,-,DELTA,CLEAR,PJT,-,77,79,-	
..2	AA67-10005A	LENS-ASSY,-,DELTA,CLEAR,S4388,-,77,-	
..2	AA26-30006F	TRANS-FLYBACK,-,FWZ-50A001C,55,30KV	
..2	AA03-00202A	CRT MONO;P16LSG03BMB,-,7inch,-,-,-,FLAT	
..2	AA60-00074A	SPACER-DY;PJT,SILICON RUBBER,-,-,-,GRAY,-,-	
..2	AA60-00063B	SPACER-CLENS;53,SILICON,-,-,-,GRAY,-,-,-	
..2	AA60-00061B	SPACER-CRT;53,SILICON,-,-,-,GRAY,-,-,-	
..2	AA39-00018A	LEAD CONNECTOR-ASSY,1P,YFH800-01,YRH187	
..2	AA33-00008A	MAGNET CONVERGENCE;JH92LTU-36A,7inchPRT,	

### ASSY CRT-(G)

Loc. No.	Code No.	Description ; Specification	Remark
△ 1	*AA94-03341A	ASSY CRT-(G);P16LSG03HKA,+380MG,7,-,PCL5	S.N.A
..2 BC+AL	AA60-10011A	SCREW-TAPTITE,-,SWRCH18A,M4,L12,HH,+ ,PC,	
..2	AA61-00476B	BRACKET-LENS;53,SECC,T1.6,-,-,-,-	
..2	AA61-00555B	HOLDER-LANS;53J8,PC ABS,BLK,-,-,GF20%	
..2	AA64-01315B	CASE-COUPLER,GREEN;43,53,61,T2.0,AL SHE	
..2	AA65-30114A	CLAMP-LOCK;NYLON 66,V2,NTR,-,PROJECTION,	

Loc. No.	Code No.	Description ; Specification	Remark
..2	AA67-10005A	LENS-ASSY,-,DELTA,CLEAR,S4388,-,77,-	
..2	AA67-10071A	LENS;DELTA 77 79,-,GREEN,C ELEMENT,	
..2	AA91-00449A	ASSY-BRACKET,CRT,-,-,SECC T1.0,PJT	
..3	AA61-00473B	BRACKET-CRT;53,SECC,T1.6,-,-,-,-	
..3	AA61-00478A	SPRING-WIRE,CRT;PJT,STS,-,-,-,-,-,-,-,	
..3	AA61-00615B	BRACKET-EARTH;54J8,PBS,T0.5,-,-,-,-,-	
..2	AA91-00491A	ASSY-HOLDER,PACK,-,-,FILM PP RUBBER,54J8	
..3	AA60-00062B	SPACER-O,RING;53,SILICON,-,-,-,GRAY,-,-	
..3	AA61-00477B	HOLDER-PACK;43,53,61J8,PP,-,HB,-,-	
..2	AA27-00151A	DEFLECTION YOKE,-,CDY-PT0702(X),PRT,P16L	
..2	AA03-00201A	CRT MONO;P16LSG03HKA,-,7inch,-,-,-,FLAT	
..2	AA26-30006F	TRANS-FLYBACK,-,FWZ-50A001C,55,30KV	
..2	AA39-00018A	LEAD CONNECTOR-ASSY,1P,YFH800-01,YRH187	
..2	AA60-00061B	SPACER-CRT;53,SILICON,-,-,-,GRAY,-,-,-	
..2	AA60-00063B	SPACER-CLENS;53,SILICON,-,-,-,GRAY,-,-,-	
..2	AA60-00074A	SPACER-DY;PJT,SILICON RUBBER,-,-,-,GRAY,	

### ASSY CRT-(R)

Loc. No.	Code No.	Description ; Specification	Remark
△ 1	*AA94-03340A	ASSY CRT-(R);P16LSG03RJA,+380MG,7,-,PCL5	S.N.A
..2 BC+AL	AA60-10011A	SCREW-TAPTITE,-,SWRCH18A,M4,L12,HH,+ ,PC,	
..2	AA65-30114A	CLAMP-LOCK;NYLON 66,V2,NTR,-,PROJECTION,	
..2	AA64-01314B	CASE-COUPLER,RED;53,T2.0,AL SHEET,-,	
..2	AA61-00602B	BRACKET-LENS,RB;PROJECTION,SECC ,T1.6,-,	
..2	AA61-00555B	HOLDER-LANS;53J8,PC ABS,BLK,-,-,GF20%	
..2	AA27-00151A	DEFLECTION YOKE,-,CDY-PT0702(X),PRT,P16L	
..2	AA91-00491A	ASSY-HOLDER,PACK,-,-,FILM PP RUBBER,54J8	
..3	AA60-00062B	SPACER-O,RING;53,SILICON,-,-,-,GRAY,-,-	
..3	AA61-00477B	HOLDER-PACK;43,53,61J8,PP,-,HB,-,-	
..2	AA91-00449A	ASSY-BRACKET,CRT,-,-,SECC T1.0,PJT	
..3	AA61-00473B	BRACKET-CRT;53,SECC,T1.6,-,-,-,-	
..3	AA61-00478A	SPRING-WIRE,CRT;PJT,STS,-,-,-,-,-,-,-,	
..3	AA61-00615B	BRACKET-EARTH;54J8,PBS,T0.5,-,-,-,-,-	
..2	AA67-10008A	LENS,-,DELTA,RED,PJT,-,77,79,-	
..2	AA67-10005A	LENS-ASSY,-,DELTA,CLEAR,S4388,-,77,-	
..2	AA26-30006F	TRANS-FLYBACK,-,FWZ-50A001C,55,30KV	
..2	AA03-00200A	CRT MONO;P16LSG03RJA,-,7inch,-,-,-,FLAT	
..2	AA60-00074A	SPACER-DY;PJT,SILICON RUBBER,-,-,-,GRAY,	
..2	AA60-00063B	SPACER-CLENS;53,SILICON,-,-,-,GRAY,-,-,-	
..2	AA60-00061B	SPACER-CRT;53,SILICON,-,-,-,GRAY,-,-,-	
..2	AA39-00018A	LEAD CONNECTOR-ASSY,1P,YFH800-01,YRH187	
..2	AA33-00008A	MAGNET CONVERGENCE;JH92LTU-36A,7inchPRT,	

### ASSY CABINET MASK

Loc. No.	Code No.	Description ; Specification	Remark
1	*AA91-00654B	ASSY CABINET MASK,-,HB,GRAY,GR801P+BL903P	
..2 C/FRON	AA63-00380A	COVER-CORNER;PJT,POLYESTER,-,-,CLR,#572	
..2	AA64-01495D	CABINET-MASK,SIDE;54J9(PCL5415R),GR801P+	
..3	AA64-01495A	CABINET-MASK,SIDE;54J8,L827.4 APCHUL,ABS	S.N.A
..2	AA64-01393N	CABINET-FRONT,MASK;54J9(PCL5415R),GR801P	
..3	AA64-01393A	CABINET-FRONT,MASK;54J8,L1099.4 APCHUL,A	S.N.A
..2	AA64-01393M	CABINET-FRONT,MASK;54J9(PCL5415R),GR801P	
..3	AA64-01393A	CABINET-FRONT,MASK;54J8,L1099.4 APCHUL,A	S.N.A
..2	AA61-00505B	HOLDER-CORNER;43,54,62J8,ABS,GRAY,HB	

### ASSY-FRONT,BOT

Loc. No.	Code No.	Description ; Specification	Remark
1	*AA91-00653B	ASSY-FRONT,BOT,-,VO G4309,HIPS,54J9(PCL54	
..2	AA64-70124C	BADGE-BRAND;AL,R2500,SILVER,L=70,SAMSUNG	
..2	AA64-01743B	CABINET-FRONT,BOT;54J9,HIPS,VO,G4309	S.N.A
..2	AA63-60131J	SPACER-FELT;54J9,62J9,FELT,-,-,-,-,T0.5,	S.N.A
..2	AA61-20129A	HOLDER-WIRE,-,-,NYLON-66,-,NTR,DAFC-2500	
..2	AA60-00077A	SPACER-DUAL LOCK;54J8,#250,-,-,-,-,-,4	
..2	AA60-00071D	SPACER-JERSEY;54J9,JERSEY,-,-,-,GRAY,-,-	S.N.A

Loc. No.	Code No.	Description ; Specification	Remark
----------	----------	-----------------------------	--------

**ASSY-WOOD**

1	*AA91-00620C	ASSY-WOOD; WOOD,SDE8326R,54J9(PCL545R)	S.N.A
..2	AWTAWB 6006-001094	SCREW-ASS'Y WOOD;WW,HH,+,M7,L32,ZPC(YEL)	
..2	AA91-00474C	ASSY-WOOD, TOP; WOOD SDE8326R,54J9(PCL545	S.N.A
...3	CW+CWT AA60-10051B	SCREW-WOOD;- ,SWRCH18A,M3.5,L11,RH,+,-,-	
...3	CWTHCW AA60-10051A	SCREW-WOOD;- ,SWRCH18A,M4,L16,PH,+,-,-,ZP	
...3	AA61-00674C	HOLDER-SCREEN;54 SIDE-L/R,ABS,BLK,HB,834	S.N.A
...3	AA64-01399B	CABINET-WOOD, TOP;54J9,SDE8326R,WOOD	S.N.A
...3	AA65-00014C	CLAMP-WIRE;54J9,SINGLE NYLON,BLK	
...3	AA61-00674B	HOLDER-SCREEN;54 TOP/BOTTOM,ABS,BLK,HB,1	S.N.A
...3	AA61-00644B	HOLDER-SENSOR;P54A(PRJT),PC,VIOLET	
...3	AA61-00507B	HOLDER-CABINET,WOOD;43,54,62J8,ABS,BLK,H	
...3	AA39-00220A	LEAD CONNECTOR ASSY;12P;67096-012,67096	S.N.A
..2	AA91-00475C	ASSY-WOOD,BOT;SDE8326R WOOD,54J9(PCL545	S.N.A
...3	CASCWB AA60-10051A	SCREW-WOOD;- ,SWRCH18A,M4,L16,PH,+,-,-,ZP	
...3	HCMCWB AA60-10051A	SCREW-WOOD;- ,SWRCH18A,M4,L16,PH,+,-,-,ZP	
...3	HW+CWB AA60-10051B	SCREW-WOOD;- ,SWRCH18A,M3.5,L11,RH,+,-,-	
...3	SPKCWB AA60-10051A	SCREW-WOOD;- ,SWRCH18A,M4,L16,PH,+,-,-,ZP	
...3	AA61-00508C	HOLDER-JERSEY;54,62J9,ABS HB,BLK,HB,L40	S.N.A
...3	AA61-00508B	HOLDER-JERSEY;43,54,62J8,ABS,BLK,HB,-	
...3	AA61-00506B	HOLDER-CRT,MAIN;43,54,62J8,HIPS,BLK,HB,-	
...3	AA63-00348B	COVER-DUCT;54,62J8,HIPS,-,HB,BLK,-	
...3	AA61-70053A	RAIL-PCB;SVP-524JA,ABS,-,-,-,BLK,VO	
...3	AA61-00533B	BRACKET-GRILLE;43,54,62J8,SECC-1 ,TO.5,-	
...3	AA98-00049A	ASSY-LEAD,CON;- ,LEAD-CON,CORE,AA39-20505	
...4	3301-001201	CORE-FERRITE;AE,21x11x32mm,1500,280G	
...3	AA64-01402B	CABINET-WOOD,BOT;54J9,SDE8326R WOOD	S.N.A
...3	3001-001107	SPEAKER;20W,8ohm,95dB,1300Hz	
...3	3001-001134	SPEAKER;30W,8ohm,93dB,60Hz	
...3	AA39-00042A	LEAD CONNECTOR-ASSY;2,2UF,REC,REC,200MM	
...3	AA60-00078A	SPACER-DUAL,LOCK;54J8,#250,-,-,-,-,4	
...3	AA61-00094C	HOLDER-RAIL;- ,PCJ533R,ABS,HB,BLK,480	
...3	AA61-00097A	HOLDER-WIRE;- ,NYLON 6/6,-,NTR,-	
...3	AA61-00458A	CASTER;- ,TP4015-05 NYL,OH47,-,-,SR4	S.N.A

**ASSY CHASSIS PART**

1	*AA90-00757A	ASSY CHASSIS PART;P54A SEA,54J9	S.N.A
..2	PM+HC 6003-001023	SCREW-TAPTITE;RWH,+,B,M3,L10,ZPC(YEL),SW	
..2	PP+HC 6003-001023	SCREW-TAPTITE;RWH,+,B,M3,L10,ZPC(YEL),SW	
..2	PS+HC 6003-001023	SCREW-TAPTITE;RWH,+,B,M3,L10,ZPC(YEL),SW	
..2	AA61-00504B	HOLDER-CHASSIS;43,54,62J8,ABS,GRAY,VO,-	

**ASSY CABINET**

1	*AA90-00756B	ASSY CABINET;54J9,PCL5415RX/XAA	
..2	AC+BCM AA60-10011A	SCREW-TAPTITE;- ,SWRCH18A,M4,L12,HH,+,PC,	
..2	APCAF 6002-000522	SCREW-TAPPING;TH,+,2,M4,L15,ZPC(BLK),SWR	
..2	BM+CBT 6003-001026	SCREW-TAPTITE;RH,+,B,M4,L15,ZPC(BLK),SWR	
..2	CBB AA64-01395L	INLAY-TERMINAL;J9,PS SHEET,TO.5,BLK,P54A	
..2	CBBAPT 6003-001019	SCREW-TAPTITE;RH,+,B,M4,L12,ZPC(BLK),SWR	
..2	CBT AA64-60449B	INLAY-COVER;SP-434JMF,PS,TO.5,149.3X69.5	
..2	CBT+CW AA63-60002V	SPACER-FELT;- ,FELT,-,-,-,BLK,TO.3,-,60X4	S.N.A
..2	CW+CBT 6005-001003	SCREW-WOOD;HH,+,M4,L19,ZPC(BLK),SWRCH18A	
..2	CWBBCM 6006-001094	SCREW-ASS'Y WOOD;WW,HH,+,M7,L32,ZPC(YEL)	
..2	CWBBCB 6005-001003	SCREW-WOOD;HH,+,M4,L19,ZPC(BLK),SWRCH18A	
..2	CWBBCS 6005-001003	SCREW-WOOD;HH,+,M4,L19,ZPC(BLK),SWRCH18A	
..2	CWBBCF 6005-001003	SCREW-WOOD;HH,+,M4,L19,ZPC(BLK),SWRCH18A	
..2	CWBHC 6005-001003	SCREW-WOOD;HH,+,M4,L19,ZPC(BLK),SWRCH18A	
..2	FP+BCM AA60-10011A	SCREW-TAPTITE;- ,SWRCH18A,M4,L12,HH,+,PC,	
..2	HV+BCM AA60-10011A	SCREW-TAPTITE;- ,SWRCH18A,M4,L12,HH,+,PC,	
..2	WOODB 6003-001019	SPACER-FELT;SVP403J,FELT,-,-,-,BLK,TO.5,	
..2	AA67-00080A	MIRROR-BACK;54J8,GLASS,940*686*673(132)*	
..2	AA67-00023A	SUN SCREEN,HC;- ,53,H/C,A/S,PMMA,T=93%,T	
..2	AA65-30008A	CLAMP-CORD;PE,HB,BLK,-,-,-	
..2	AA64-60421C	INLAY-COVER;- ,SEA,PS,TO.3,BLK,-,-	
..2	AA67-00116A	SCREEN-LENTI;53,-,T1,1123*852,-,-,TINT=1	
..2	AA91-00489B	ASSY-BRKT,MIRROR;- ,SECC-1 T1.0,54J8	
...3	AA60-00073A	SPACER-FELT;54J8,FELT,-,-,-,T1.0,-,210	S.N.A

Loc. No.	Code No.	Description ; Specification	Remark
----------	----------	-----------------------------	--------

...3	AA61-00512B	BRACKET-MIRROR;43,53,61J8,SECC-1,T1.0,-	S.N.A
..2	AA67-00116B	SCREEN-FRESNEL;53,-,T2,1125*854,-,-,-	
..2	AA64-01385C	CABINET-BACK, SIDE;545R,625R(SEA),HIPS,VO	S.N.A
..2	AA61-00600A	SPRING-EARTH;43J8,STS,-,-,-,-,-,0,	
..2	AA61-00475B	BRACKET-CRT,MAIN;54,SECC,T1.6,-,-,-,-	
..2	AA60-00091N	SPACER-FELT;- ,FELT,70X10,-,-,BLK,T1.0,-	S.N.A
..2	AA60-00072B	SPACER-COVER,DUST;43,54,62J9,SPONGE 94HF	
..2	AA60-00069C	SPACER-SCREEN;43,54,62J8,ABS,-,-,-,BLK,-	S.N.A
..2	AA60-00069B	SPACER-SCREEN;43,54,62J8,ABS,-,-,-,BLK,-	S.N.A
..2	AA26-00101A	TRANS FBT;FWZ50A001E,-,-,-,-,-,-,-,-	
..2	AA64-01384B	CABINET-BACK,BOT;43,54,62J8,-,HIPS,VO,BL	
..2	AA64-01379B	CABINET-BACK, TOP;54J8,-,HIPS,HB,BLK	
..2	AA63-60131F	SPACER-FELT;PCJ612R,FELT,-,-,-,BLK,TO.5,	S.N.A
..2	AA61-20285A	HOLDER-BOX;- ,3456,PP,VO,WHT,-	
..2	AA61-00642A	SPRING-EARTH,MAIN;PROJ(J7,J8,J9),STS,67,	
..2	AA61-00618B	GUIDE-FLOW;54J8,J7,ABS,-,-,-,BLK,HB	

**REMOCON**

1	*AA59-00176A	REMOCON;- ,TM63,SHARK,51,L/GRAY,DO,-,-	
..2	2802-000194	RESONATOR-CERAMIC;8MHz,1.0%,TP,8.5x4.5x5	
..2	AA09-00051A	IC-MCU;Z86L8808SSC-R501M,SZTM-822,ST,	

**ASSY POWER CORD**

△ 1	*AA96-00156D	ASSY POWER CORD;- ,EP2/YES(US),H/C 200MM,	
..2	AA61-20284A	HOLDER;- ,P-CORD,PP,VO,BLK,KE-002	
..2	AA39-10007Y	POWER-CORD;- ,EP2/YES,SPT-2 18AWGx2C,2.4m	
..2	3811-000401	WIRE-PVC CU;BCWA,300V,ROLL,17/0.16mm,#22	
..2	3301-001201	CORE-FERRITE;AE,21x11x32mm,1500,280G	

**ASSY ACCESSORY**

1	*AA94-03463A	ASSY ACCESSORY;PCL545RX/XAA,P54A,U.S.A,S	S.N.A
..2	AA69-30009C	BAG-SHEET;LDPE,TO.08,W150,L120,-,-,-	
..2	AA68-01413A	MANUAL USERS;PCL545R,ENG,W/P100(G),2(1),	
..2	AA68-01399A	MANUAL-GUIDE;- ,SEA,ENG,W/P 200(G),1,216X1	
..2	AA61-20126A	HOLDER-LEG;- ,ABS,HB,BLK,-	
..2	AA39-00006A	CABLE-RCA;3000MM	

### 7-3 PCL6215R3C/XAA, ST62J9P3S/XAX

Loc. No.	Code No.	Description ; Specification	Remark
<b>ASSY-PCB,SENSOR</b>			
1	*AA95-01031B	ASSY-PCB,SENSOR;DP,PCL545R,P54A	
.2	CN01	3711-002642 CONNECTOR-HEADER;BOX,3P,1R,2.5MM,STRAIGH	
.2	D01	0603-001067 PHOTO DIODE,-,10V,560nm,BK	
.2	PCB	AA41-00433A PCB-SENSOR;PCL545R,CEM-1,1L,A,1.6T,245X2	
.2	Q01	0501-000389 TR-SMALL SIGNAL;KSC815,NPN,400mW,TO-92,T	
.2		0202-000187 SOLDER-WIRE FLUX,-,RS60S,D1.2,63Sn/37Pb	
.2	AA99-20091V	ASSY-PCB SUB,AUTO; AA95-01031B ,V	S.N.A
...3	R01	2001-000739 R-CARBON;4.7MOHM,5%,1/8W,AA,TP,1.8X3.2M	
...3	R02	2001-000739 R-CARBON;4.7MOHM,5%,1/8W,AA,TP,1.8X3.2M	
...3	R03	2001-000454 R-CARBON;2.2MOHM,5%,1/8W,AA,TP,1.8X3.2M	

### ASSY-CONTROL

1	*AA95-01068B	ASSY-CONTROL;DP,PCL545R,P54A,16.2KG	
.2	PCB+A/	6003-001023 SCREW-TAPTITE;RWH,+B,M3,L10,ZPC(YEL),SW	
.2	AA95-00998A	ASSY-PCB,A/V FRONT;PCL545R,P54A	S.N.A
...3	CNY01A	3711-003974 CONNECTOR-HEADER;BOX,12P,1R,2.5mm,STRAIG	
...3	CNY702	3711-000447 CONNECTOR-HEADER;3WALL,3P,1R,2.5mm,ANGLE	
...3	CNYW01	AA39-00231A LEAD CONNECTOR ASSY;,12P,3515-1200,6709	
...3	JK101	3722-000544 JACK-VHS;4P,11.5mm,AG,BLK,N	
...3	JK102	3722-001164 JACK-RCA;3P,3.4mm,SN,WH;YE:RE,#16-22	
...3	PCB	AA41-00453A PCB-AV FRONT;PCL545R,FR-1,1L,A,1.6T,330X	S.N.A
...3	RK101	2001-000613 R-CARBON;3.9KOHM,5%,1/8W,AA,TP,1.8X3.2M	
...3	SW101	3404-000208 SWITCH-TACT;12V,50mA,120gf,6x6mm,SPST	
...3		3301-001201 CORE-FERRITE;AE,21x11x32mm,1500,280G	
...3		0202-000187 SOLDER-WIRE FLUX,-,RS60S,D1.2,63Sn/37Pb	
.2	AA95-00961A	ASSY-PCB,CONTROL,-,PCL534R,P54A,-,-,-	S.N.A
...3	CNW01	AA39-00223A LEAD CONNECTOR ASSY;,11P,67096-011,35155	
...3	CNY01	3711-003353 CONNECTOR-HEADER;BOX,11P,1R,2.5mm,ANGLE,	
...3	CNY02	3711-000447 CONNECTOR-HEADER;3WALL,3P,1R,2.5mm,ANGLE	
...3	CNYW02	AA39-20016A LEAD CONNECTOR-ASSY;,3P,67096-003,S,200,	
...3	CY01	2401-002009 C-A,;100uF,20%,16V,GP,TP,6.3x7.5	
...3	DZY02	0403-000510 DIODE-ZENER;MTZJ6.2B,6.2V,5.96-6.27V,500	
...3	DZY03	0403-000510 DIODE-ZENER;MTZJ6.2B,6.2V,5.96-6.27V,500	
...3	LEDY01	0601-001381 LED;ROUND,RED/GRN,5.0MM,650/563NM	
...3	PCB	AA41-00425A PCB-CONTROL;SVP54J8SR,FR-1,1L,A,1.6T,245	S.N.A
...3	QY01	0504-000123 TR-DIGITAL;KSR1010,NPN,300mW,10K,TO-92,T	
...3	RMV01	AA59-60002B MODULE-REMOCON,-,ORC-50HF,38KHZ,940MM,ME	
...3	RY02	2001-000924 R-CARBON;680OHM,5%,1/8W,AA,TP,1.8X3.2MM	
...3	RY03	2001-000429 R-CARBON;1KOHM,5%,1/8W,AA,TP,1.8X3.2MM	
...3	RY04	2001-000449 R-CARBON;2.2KOHM,5%,1/8W,AA,TP,1.8X3.2M	
...3	RY05	2001-000924 R-CARBON;680OHM,5%,1/8W,AA,TP,1.8X3.2MM	
...3	RY06	2001-000429 R-CARBON;1KOHM,5%,1/8W,AA,TP,1.8X3.2MM	
...3	RY07	2001-000020 R-CARBON(S);220OHM,5%,1/2W,AA,TP,2.4X6.4M	
...3	RY08	2001-001108 R-CARBON(S);22KOHM,5%,1/2W,AA,TP,2.4X6.4	
...3	RY09	2001-000109 R-CARBON(S);470OHM,5%,1/2W,AA,TP,2.4X6.4	
...3	SWY01	3404-001006 SWITCH-TACT;12V,50mA,160gf,6x6mm,SPST	
...3	SWY02	3404-001006 SWITCH-TACT;12V,50mA,160gf,6x6mm,SPST	
...3	SWY03	3404-001006 SWITCH-TACT;12V,50mA,160gf,6x6mm,SPST	
...3	SWY04	3404-001006 SWITCH-TACT;12V,50mA,160gf,6x6mm,SPST	
...3	SWY05	3404-001006 SWITCH-TACT;12V,50mA,160gf,6x6mm,SPST	
...3	SWY06	3404-001006 SWITCH-TACT;12V,50mA,160gf,6x6mm,SPST	
...3	SWY07	3404-001006 SWITCH-TACT;12V,50mA,160gf,6x6mm,SPST	
...3	SWY08	3404-001006 SWITCH-TACT;12V,50mA,160gf,6x6mm,SPST	
...3		3301-001201 CORE-FERRITE;AE,21x11x32mm,1500,280G	
...3		0202-000187 SOLDER-WIRE FLUX,-,RS60S,D1.2,63Sn/37Pb	
.2	AA91-00652A	ASSY-CONTROL;HIPS HB BLK,SEA,PCL545R/54	S.N.A
...3	KC+PC	6002-000522 SCREW-TAPPING;TH,+2,M4,L15,ZPC(BLK),SWR	
...3	KNOPOW	AA61-60003J SPRING-CS,-,SUS304,0.5,OD6.H12,N7,-,-,-	
...3		AA64-01750B KNOB POWER;54J9,62J9,ABS HB,GRAY,SV-012P	S.N.A
...3		AA64-01752B INDICATOR LED;54J9,62J9,ACRYL,CLR	S.N.A
...3		AA64-01755B WINDOW REMOCON;54J9,62J9,PC,SEMI VIOLET	S.N.A
...3		AA64-01749B KNOB-CONTROL,HOLDER;54J9,62J9,ABS HB,BLK	S.N.A
...3		AA64-01747B DOOR-AV;54J9,62J9,HIPS HB,BLK,BL903P	S.N.A
...3		AA64-01746B PANEL-CONTROL;54J9,62J9,HIPS HB,BLK,LG80	S.N.A

Loc. No.	Code No.	Description ; Specification	Remark
...3	AA64-01396E	INLAY-AV;43,54,62J8,PS SHEET,TO.5,-,BLK	

### ASSY CRT-(R)

△ 1	*AA97-01222A	ASSY CRT-(R);+380MG,P16LSG03RJA,BARE,PC	S.N.A
.2	BC+AL	AA60-10011A SCREW-TAPTITE,-,SWRCH18A,M4,L12,HH,+PC,	
.2		AA65-30114A CLAMP-LOCK;NYLON 66,V2,NTR,-,PROJECTION,	
.2		AA64-01916A CASE-COUPLER,RED;DP,54J9(R),64-01314B 10	S.N.A
.2		AA64-01314B CASE-COUPLER,RED;53,T2.0,AL SHEET,-,-	
.2		AA61-00704A BRACKET-LENS,RP;DP,54J9(R,B),-,-,-,-,6	S.N.A
.2		AA61-00602B BRACKET-LENS,RP;PROJECTION,SECC ,T1.6,-,	
.2		AA61-00555B HOLDER-LANS;53J8,PC ABS,BLK,-,-,GF20%	
.2		AA27-00145A DEFLECTION YOKE,-,DPD-4392DL(S),ST-3,P16	
.2		AA91-00662A ASSY-BRACKET,CRT;DP,91-00449A,54J9	S.N.A
.2		AA91-00449A ASSY-BRACKET,CRT,-,-,SECC T1.0,PJT	
.2		AA61-00473B BRACKET-CRT;53,SECC,T1.6,-,-,-,-	
.2		AA61-00478A SPRING-WIRE,CRT;PJT,STS,-,-,-,-,-,-,-,-	
.2		AA61-00615B BRACKET-EARTH;54J8,PBS,TO.5,-,-,-,-	
.2		AA91-00491A ASSY-HOLDER,PACK;-,-,FILM PP RUBBER,54J8	
.2		AA60-00062B SPACER-O,RING;53,SILICON,-,-,-,GRAY,-,-	
.2		AA61-00477B HOLDER-PACK;43,53,61J8,PP,-,HB,-,-	
.2		AA67-10066A LENS-ASSY;DELTA 37,-,-,CLEAR A/B,-,-,-	
.2		AA67-10008A LENS;-,-,DELTA,RED,PJT,-,77,79,-	
.2		AA03-00200A CRT MONO;P16LSG03RJA,-,7inch,-,-,-,FLAT	
.2		AA60-00074A SPACER-DY;PJT,SILICON RUBBER,-,-,-,GRAY,	
.2		AA60-00063B SPACER-CLENS;53,SILICON,-,-,-,GRAY,-,-,-	
.2		AA60-00061B SPACER-CRT;53,SILICON,-,-,-,GRAY,-,-,-	
.2		AA39-00018A LEAD CONNECTOR-ASSY;,1P,YFH800-01,YRH187	
.2		AA33-00008A MAGNET CONVERGENCE;JH92LTU-36A,7inchPRT,	

### ASSY CRT-(G)

△ 1	*AA97-01223A	ASSY CRT-(G);+380MG,P16LSG03HKA,BARE,PC	
.2	BC+AL	AA60-10011A SCREW-TAPTITE,-,SWRCH18A,M4,L12,HH,+PC,	
.2		AA61-00555B HOLDER-LANS;53J8,PC ABS,BLK,-,-,GF20%	
.2		AA61-00705A BRACKET-LENS,RP;DP,54J9(G),-,-,-,-,61-	S.N.A
.2		AA61-00476B BRACKET-LENS;53,SECC,T1.6,-,-,-,-	
.2		AA64-01918A CASE-COUPLER,GREEN;DP,54J9(G),64-01315B	S.N.A
.2		AA64-01315B CASE-COUPLER,GREEN;43,53,61,T2.0,AL SHE	
.2		AA65-30114A CLAMP-LOCK;NYLON 66,V2,NTR,-,PROJECTION,	
.2		AA67-10066A LENS-ASSY;DELTA 37,-,-,CLEAR A/B,-,-,-	
.2		AA67-10071A LENS;DELTA 77 79,-,GREEN,C ELEMENT,	
.2		AA91-00491A ASSY-HOLDER,PACK;-,-,FILM PP RUBBER,54J8	
.2		AA60-00062B SPACER-O,RING;53,SILICON,-,-,-,GRAY,-,-	
.2		AA61-00477B HOLDER-PACK;43,53,61J8,PP,-,HB,-,-	
.2		AA91-00662A ASSY-BRACKET,CRT;DP,91-00449A,54J9	S.N.A
.2		AA91-00449A ASSY-BRACKET,CRT,-,-,SECC T1.0,PJT	
.2		AA61-00473B BRACKET-CRT;53,SECC,T1.6,-,-,-,-	
.2		AA61-00478A SPRING-WIRE,CRT;PJT,STS,-,-,-,-,-,-,-,-	
.2		AA61-00615B BRACKET-EARTH;54J8,PBS,TO.5,-,-,-,-	
.2		AA27-00145A DEFLECTION YOKE,-,DPD-4392DL(S),ST-3,P16	
.2		AA03-00201A CRT MONO;P16LSG03HKA,-,7inch,-,-,-,FLAT	
.2		AA39-00018A LEAD CONNECTOR-ASSY;,1P,YFH800-01,YRH187	
.2		AA60-00061B SPACER-CRT;53,SILICON,-,-,-,GRAY,-,-,-	
.2		AA60-00063B SPACER-CLENS;53,SILICON,-,-,-,GRAY,-,-,-	
.2		AA60-00074A SPACER-DY;PJT,SILICON RUBBER,-,-,-,GRAY,	

### ASSY CRT-(B)

△ 1	*AA97-01224A	ASSY CRT-(B);+380MG,P16LSG03BMB,BARE,PC	S.N.A
.2	BC+AL	AA60-10011A SCREW-TAPTITE,-,SWRCH18A,M4,L12,HH,+PC,	
.2		AA65-30114A CLAMP-LOCK;NYLON 66,V2,NTR,-,PROJECTION,	
.2		AA64-01917A CASE-COUPLER,BLUE;DP,54J9(B),64-01316B 1	S.N.A
.2		AA64-01316B CASE-COUPLER,BLUE;53,T2.0,AL SHEET,-,-	



Loc. No.	Code No.	Description ; Specification	Remark
...3	R532	2001-000995 R-CARBON;820OHM,5%,1/8W,AA,TP,1.8X3.2MM	
...3	R533	2001-000429 R-CARBON;1KOHM,5%,1/8W,AA,TP,1.8X3.2MM	
...3	R536	2001-001088 R-CARBON(S);1KOHM,5%,1/2W,AA,TP,2.4X6.4M	
...3	R537	2001-000429 R-CARBON;1KOHM,5%,1/8W,AA,TP,1.8X3.2MM	
...3	R538	2003-000738 R-METAL OXIDE(S);56Kohm,5%,2W,AA,TP,4x12	
...3	R540	2001-000837 R-CARBON;51KOHM,5%,1/8W,AA,TP,1.8X3.2MM	
...3	R541	2001-000009 R-CARBON;20KOHM,5%,1/8W,AA,TP,1.8X3.2MM	
...3	R543	2008-000252 R-FUSIBLE(S);0.47ohm,10%,1/2W,AF,TP,2.5x	
...3	R544	2001-001122 R-CARBON(S);3.9KOHM,5%,1/2W,AA,TP,2.4X6.	
...3	R545	2002-001017 R-COMPOSITION;1Kohm,10%,1/2W,AA,TP,3.7x9	
...3	R546	2001-000009 R-CARBON;20KOHM,5%,1/8W,AA,TP,1.8X3.2MM	
...3	R547	2001-000085 R-CARBON(S);100KOHM,5%,1/2W,AA,TP,2.4X6.	
...3	R548	2002-001021 R-COMPOSITION;560KOHM,10%,1/2W,AA,TP,3.7	
...3	R549	2002-001021 R-COMPOSITION;560KOHM,10%,1/2W,AA,TP,3.7	
...3	R550	2001-000066 R-CARBON(S);10KOHM,5%,1/2W,AA,TP,2.4X6.4	
...3	R551	2001-001052 R-CARBON(S);1.5MOHM,5%,1/2W,AA,TP,2.4X6.	
...3	R552	2002-001006 R-COMPOSITION;4.7Kohm,5%,1/2W,AA,TP,3.7x	
...3	R553	2002-001006 R-COMPOSITION;4.7Kohm,5%,1/2W,AA,TP,3.7x	
...3	R554	2001-000028 R-CARBON(S);1000HM,5%,1/2W,AA,TP,2.4X6.4	
...3	R555	2001-000734 R-CARBON;4.7KOHM,5%,1/8W,AA,TP,1.8X3.2M	
...3	R556	2001-000007 R-CARBON;3KOHM,5%,1/8W,AA,TP,1.8X3.2MM	
...3	R557	2001-000362 R-CARBON;1500HM,5%,1/8W,AA,TP,1.8X3.2MM	
...3	R559	2002-001015 R-COMPOSITION;47Kohm,5%,1/2W,AA,TP,3.7x9	
...3	R562	2001-000221 R-CARBON;1.2KOHM,5%,1/8W,AA,TP,1.8X3.2M	
...3	R563	2001-000995 R-CARBON;820OHM,5%,1/8W,AA,TP,1.8X3.2MM	
...3	R564	2001-000660 R-CARBON;33KOHM,5%,1/8W,AA,TP,1.8X3.2MM	
...3	R566	2001-001088 R-CARBON(S);1KOHM,5%,1/2W,AA,TP,2.4X6.4M	
...3	R567	2001-000429 R-CARBON;1KOHM,5%,1/8W,AA,TP,1.8X3.2MM	
...3	R568	2001-000734 R-CARBON;4.7KOHM,5%,1/8W,AA,TP,1.8X3.2M	
...3	R569	2001-000472 R-CARBON;2.7KOHM,5%,1/8W,AA,TP,1.8X3.2M	
...3	R570	2001-000362 R-CARBON;1500HM,5%,1/8W,AA,TP,1.8X3.2MM	
...3	R571	2001-000281 R-CARBON;1000HM,5%,1/8W,AA,TP,1.8X3.2MM	
...3	R572	2003-000738 R-METAL OXIDE(S);56Kohm,5%,2W,AA,TP,4x12	
...3	R573	2008-000252 R-FUSIBLE(S);0.47ohm,10%,1/2W,AF,TP,2.5x	
...3	R574	2001-001122 R-CARBON(S);3.9KOHM,5%,1/2W,AA,TP,2.4X6.	
...3	R575	2002-001017 R-COMPOSITION;1Kohm,10%,1/2W,AA,TP,3.7x9	
...3	R576	2001-000009 R-CARBON;20KOHM,5%,1/8W,AA,TP,1.8X3.2MM	
...3	R577	2001-000085 R-CARBON(S);100KOHM,5%,1/2W,AA,TP,2.4X6.	
...3	R578	2002-001021 R-COMPOSITION;560KOHM,10%,1/2W,AA,TP,3.7	
...3	R579	2002-001021 R-COMPOSITION;560KOHM,10%,1/2W,AA,TP,3.7	
...3	R580	2001-000066 R-CARBON(S);10KOHM,5%,1/2W,AA,TP,2.4X6.4	
...3	R581	2001-001052 R-CARBON(S);1.5MOHM,5%,1/2W,AA,TP,2.4X6.	
...3	R582	2002-001006 R-COMPOSITION;4.7Kohm,5%,1/2W,AA,TP,3.7x	
...3	R583	2002-001006 R-COMPOSITION;4.7Kohm,5%,1/2W,AA,TP,3.7x	
...3	R584	2001-000028 R-CARBON(S);1000HM,5%,1/2W,AA,TP,2.4X6.4	
...3	R589	2002-001015 R-COMPOSITION;47Kohm,5%,1/2W,AA,TP,3.7x9	
...3	SG351	4715-001036 SURGE ABSORBER;500V,20%,--TP	
...3	SG501	4715-001036 SURGE ABSORBER;500V,20%,--TP	
...3	SG503	4715-001036 SURGE ABSORBER;500V,20%,--TP	
...3	SG533	4715-001036 SURGE ABSORBER;500V,20%,--TP	
...3	SG561	4715-001036 SURGE ABSORBER;500V,20%,--TP	
...3	SG563	4715-001036 SURGE ABSORBER;500V,20%,--TP	

**ASSY CABINET**

1	*AA90-00769B	ASSY CABINET;62J9,PCL6215R3C/XAA	S.N.A
..2	AC+BCM	AA60-10011A SCREW-TAPTITE;- ,SWRCH18A,M4,L12,HH,+ ,PC,	
..2	APCAF	B 6002-000522 SCREW-TAPPING;TH,+ ,2,M4,L15,ZPC(BLK),SWR	
..2	CBBAPT	6003-001019 SCREW-TAPTITE;RH,+ ,B,M4,L12,ZPC(BLK),SWR	
..2	CMWCWT	6005-001004 SCREW-WOOD;HH,+ ,M4,L27,BLK,SWRCH18	
..2	CW+CBT	6005-001003 SCREW-WOOD;HH,+ ,M4,L19,ZPC(BLK),SWRCH18A	
..2	CWB+HC	6005-001003 SCREW-WOOD;HH,+ ,M4,L19,ZPC(BLK),SWRCH18A	
..2	CWBBCM	6006-001094 SCREW-ASSY WOOD;WWW,HH,+ ,M7,L32,ZPC(YEL)	
..2	CWBCBB	6005-001003 SCREW-WOOD;HH,+ ,M4,L19,ZPC(BLK),SWRCH18A	
..2	CWBCBS	6005-001003 SCREW-WOOD;HH,+ ,M4,L19,ZPC(BLK),SWRCH18A	
..2	CWBCFB	6005-001003 SCREW-WOOD;HH,+ ,M4,L19,ZPC(BLK),SWRCH18A	
..2	FP+BCM	AA60-10011A SCREW-TAPTITE;- ,SWRCH18A,M4,L12,HH,+ ,PC,	
..2	HM+CMW	6005-001003 SCREW-WOOD;HH,+ ,M4,L19,ZPC(BLK),SWRCH18A	
..2	HV+BCM	AA60-10011A SCREW-TAPTITE;- ,SWRCH18A,M4,L12,HH,+ ,PC,	
..2		AA67-70056A SCREEN-TINT;0.515,61',DNP;896-985,TINT10	
..2		AA67-00081A MIRROR-BACK;62J8,GLASS,1187*725*830,-,-	
..2		AA67-00022A SUN SCREEN;HC,- ,61,H/C,A/S,PMMA,T=82%,T	
..2		AA65-30008A CLAMP-CORD;PE,HB,BLK,-,-	
..2		AA64-01924A CABINET-MASK,ETC;DP;62J9,64-01650E,F,ABS	S.N.A

Loc. No.	Code No.	Description ; Specification	Remark
...3	AA64-01652C	CABINET-MASK,SIDE;62J9,GR801P+BL903P SEA	
...4	AA64-01652A	CABINET-MASK,SIDE;62J8,L946 APCHUL,ABS,H	
...3	AA64-01650F	CABINET-FRONT,MASK;62J9(PCL6215R),GR801P	
...4	AA64-01650A	CABINET-FRONT,MASK;62J8,L1257.4 APCHUL,A	
...3	AA64-01650E	CABINET-FRONT,MASK;62J9(PCL6215R),GR801P	
...4	AA64-01650A	CABINET-FRONT,MASK;62J8,L1257.4 APCHUL,A	
...3	AA63-00380A	COVER-CORNER;PJT,POLYESTER,-,-,CLR,#572	
...3	AA61-00505B	HOLDER-CORNER;43,54,62J8,ABS,GRAY,HB	
..2	AA64-60421C	INLAY-COVER;- ,SEA,PS,TO,3,BLK,-,-	
..2	AA64-60449C	INLAY-COVER;SP;3458JMF,PS,TO,5,149.3X69.5	
..2	AA63-60131A	SPACER-FELT;SVP403J,FELT,-,-,BLK,TO,5,	
..2	AA63-00386A	COVER-MIRROR,WOOD;62J8,WOOD,-,-,ASSY,-	
...3	AA60-10051A	SCREW-WOOD;- ,SWRCH18A,M4,L16,PH,+ ,--ZP	
...3	AA61-00357C	HOLDER-MIRROR;- ,PCJ612R,ABS,HB,BLK,L730	
...3	AA63-00387A	COVER-MIRROR,WOOD;62J8,WOOD,-,-,MDF R1	
..2	AA69-30036A	BAG-PE;HOPE,TO,02,2000,1800,-,-,555J,	
..2	AA61-00600A	SPRING-EARTH;43J8,STS,-,-,0,	
..2	AA61-00370D	HOLDER-MIRROR;DP;PCJ612R,-,-,AA61-0035	
...3	AA61-00357C	HOLDER-MIRROR;- ,PCJ612R,ABS,HB,BLK,L730	
..2	AA61-00370C	HOLDER-MIRROR;DP;PCJ612R,-,-,AA61-0035	
...3	AA61-00357B	HOLDER-MIRROR;- ,PCJ612R,ABS,HB,BLK,L1170	
..2	AA61-00049B	HOLDER-BOX;DP,- ,PP,VO,NTR,AA61-20285A	
...3	AA61-20285A	HOLDER-BOX;- ,3456,PP,VO,WHT,-	
..2	AA60-10051A	SCREW-WOOD;- ,SWRCH18A,M4,L16,PH,+ ,--ZP	
..2	AA60-00072B	SPACER-COVER,DUST;43,54,62J9,SPONGE 94HF	
..2	AA60-00069G	SPACER-SCREEN;43,53,61J8,ABS,-,-,BLK,-	
..2	AA60-00069F	SPACER-SCREEN;43,53,61J8,ABS,-,-,BLK,-	
..2	AA61-00617A	BRACKET-CRT,MAIN;54J7,DP,-,-,AA61-00	
...3	AA61-00475B	BRACKET-CRT,MAIN;54,SECC,T1.6,-,-,-	
..2	AA64-01922A	CABINET-BACK,TOP;DP;62J9,AA64-01870B 75,	
...3	AA61-30009A	LOCKER-BAND,CLIP;- ,SPC-1,-,-,18MM,TO,5,-	S.N.A
...3	AA64-01870B	CABINET-BACK,TOP;62J9,SHEET,HIPS,HB,BLK	
..2	AA64-01850B	CABINET-BACK,SIDE;DP;54J9,AA64-01385C,VO	
...3	AA64-01385C	CABINET-BACK,SIDE;545R,625R(SEA),HIPS,VO	S.N.A
..2	AA64-01849A	CABINET-BACK,BOT;DP;62J8,AA64-01384B,VO	
...3	AA64-01384B	CABINET-BACK,BOT;43,54,62J8,- ,HIPS,VO,BL	
..2	AA64-01395L	INLAY-TERMINAL;J9,PS SHEET,TO,5,BLK,P54A	
..2	AA61-00642A	SPRING-EARTH,MAIN;PROJ(J7,J8,J9),STS,67,	
..2	AA61-00618B	GUIDE-FLOW;54J8,J7,ABS,-,-,BLK,HB	

**ASSY-WOOD**

1	*AA90-00771A	ASSY-WOOD;PCL6215R3C/XAA,54J9	S.N.A
..2	CASCWB	AA60-10051A SCREW-WOOD;- ,SWRCH18A,M4,L16,PH,+ ,--ZP	
..2	CWATO	AA60-10051A SCREW-WOOD;- ,SWRCH18A,M4,L16,PH,+ ,--ZP	
..2	CW+CWT	AA60-10051B SCREW-WOOD;- ,SWRCH18A,M3.5,L11,RH,+ ,--	
..2	CWTHCH	AA60-10051A SCREW-WOOD;- ,SWRCH18A,M4,L16,PH,+ ,--ZP	
..2	CWTHPM	AA60-10051A SCREW-WOOD;- ,SWRCH18A,M4,L16,PH,+ ,--ZP	
..2	HCMCWB	AA60-10051A SCREW-WOOD;- ,SWRCH18A,M4,L16,PH,+ ,--ZP	
..2	HW+CWB	AA60-10051B SCREW-WOOD;- ,SWRCH18A,M3.5,L11,RH,+ ,--	
..2	SPKCWB	AA60-10051A SCREW-WOOD;- ,SWRCH18A,M4,L16,PH,+ ,--ZP	
..2		AA64-01921A CABINET-WOOD,BOT;62J9,WOOD SDE8326R	S.N.A
..2		AA63-00384A COVER-DUCT;DP 54J8,-,-,HB,- ,AA63-00348B,	
...3		AA63-00348B COVER-DUCT;54,62J8,HIPS,- ,HB,BLK,-,-	
..2		AA61-70053A RAIL-PCB;SVP-524JA,ABS,-,-,BLK,VO	
..2		AA61-00644B HOLDER-SENSOR;P54A(PRTJ),PC,VIOLET	
..2		AA61-00556B HOLDER-PLATE,MIRROR;43,53,62J8,ABS,-,-	
..2		AA65-00014C CLAMP-WIRE;54J9,SINGLE NYLON,BLK	
..2		AA61-00722A HOLDER-PIN,DABO;PRJT,NYLON,OD6.5XL25,-,-	
..2		AA61-00723A HOLDER-PIN,DABO;PRJT,WOODEN NAIL,OD6XL20	
..2		AA64-01400B CABINET-WOOD,TOP;62J9,SDE8326R,WOOD	S.N.A
..2		AA39-00220B LEAD CONNECTOR ASSY;12P;67096-01267096	
..2		AA61-00616B HOLDER-CRT,MAIN;54J7,DP,-,-,AA61-005	
...3		AA61-00506B HOLDER-CRT,MAIN;43,54,62J8,HIPS,BLK,HB,-	
..2		AA61-00550B HOLDER-PLATE,MIRROR;43,53,62J8,ABS,-,-	
..2		AA61-00458B CASTER;- ,TP4020-05 PLY,OH56,-,-,SR4	
..2		AA61-00284D HOLDER-RAIL;DP;524J,-,-,AA61-00094C	S.N.A
..2		AA61-00094C HOLDER-RAIL;- ,PCJ533R,ABS,HB,BLK,480	
..2		AA61-00097A HOLDER-WIRE;- ,NYLON 6/6,-,-,NTR,-	
..2		AA60-00078A SPACER-DUAL,LOCK;54J8,#250,-,-,4	
..2		AA61-00507B HOLDER-CABINET,WOOD;43,54,62J8,ABS,BLK,H	
..2		AA61-00533B BRACKET-GRILLE;43,54,62J8,SECC-1,- ,TO,5,-	
..2		AA61-00510G HOLDER-SCREEN;62J8,ABS,-,-,BLK,HB	
..2		AA61-00510F HOLDER-SCREEN;62J8,ABS,-,-,BLK,HB	

Loc. No.	Code No.	Description ; Specification	Remark
----------	----------	-----------------------------	--------

.2	AA61-00508C	HOLDER-JERSEY;54,62J9,ABS HB,BLK,HB,L40	S.N.A
.2	AA61-00508B	HOLDER-JERSEY;43,54,62J8,ABS,BLK,HB,-,-	

### ASSY-FRONT,BOT

1	*AA91-00674A	ASSY-FRONT,BOT;DP;91-00672A SEA,62J9	
.2	AA91-00672A	ASSY-FRONT,BOT;VO G4309,HIPS,62J9(PCL62	
...3	AA64-70124C	BADGE-BRAND;AL,R2500,SILVER,L=70,SAMSUNG	
...3	AA64-01744B	CABINET-FRONT,BOT;62J9(PCL6215R),HIPS VO	
...3	AA63-60131J	SPACER-FELT;54J9,62J9,FELT,-,-,-,-,TO,5,	S.N.A
...3	AA61-20129A	HOLDER-WIRE,-,-,NYLON-66,-,NTR,DAFC-2500	
...3	AA60-00090C	SPACER-JERSEY;62J9,JERSEY,-,-,-,GRAY,-,-	S.N.A
...3	AA60-00077A	SPACER-DUAL,LOCK;54J8,#250,-,-,-,-,-,4	

### ASSY-PACKING

1	*AA92-00140A	ASSY-PACKING;F3 PJT	S.N.A
.2	AA69-90001A	SILICAGEL;M2,5GR,-,-,-	S.N.A
.2	AA61-30009A	LOCKER-BAND,CLIP,-,SPC-1,-,-,18MM TO,5,-	S.N.A
.2	AA69-30010A	BAG-SHEET;LDPE,TO,08,W220,L300,-,-,-	S.N.A

### ASSY PCB CHASSISPACK

1	*AA93-00107C	ASSY PCB CHASSISPACK;P54A,PCL6215R3C/XA	S.N.A
.2	AA95-00981B	ASSY-PCB 3D COMB;WT-3Z25HD,K54A	
...3	CD10	2401-001496 C-AL;47uF,20%,16V,GP,TP,5x7,5	
...3	CD11	2203-000181 C-CERAMIC,CHIP;100nF,+80-20%,25V,Y5V,TP,	
...3	CD12	2401-002464 C-AL;47uF,20%,16V,BP,TP,8x11.5,5	
...3	CD18	2401-001914 C-AL;1uF,20%,50V,BP,TP,5x11,5	
...3	CD20	2203-000181 C-CERAMIC,CHIP;100nF,+80-20%,25V,Y5V,TP,	
...3	CD21	2203-000181 C-CERAMIC,CHIP;100nF,+80-20%,25V,Y5V,TP,	
...3	CD22	2203-001034 C-CERAMIC,CHIP;5.6nF,10%,50V,X7R,TP,1608	
...3	CD23	2401-000598 C-AL;1uF,20%,50V,GP,TP,4x7,5	
...3	CD24	2401-000455 C-AL;10uF,20%,35V,GP,TP,4x7mm,5mm	
...3	CD40	2301-000111 C-FILM,PEF;1.8nF,5%,50V,TP,6.5x3.0x5.5mm	
...3	CD41	2203-000181 C-CERAMIC,CHIP;100nF,+80-20%,25V,Y5V,TP,	
...3	CD42	2203-000181 C-CERAMIC,CHIP;100nF,+80-20%,25V,Y5V,TP,	
...3	CD43	2203-000181 C-CERAMIC,CHIP;100nF,+80-20%,25V,Y5V,TP,	
...3	CD44	2203-000181 C-CERAMIC,CHIP;100nF,+80-20%,25V,Y5V,TP,	
...3	CD45	2401-000455 C-AL;10uF,20%,35V,GP,TP,4x7mm,5mm	
...3	CD46	2203-000181 C-CERAMIC,CHIP;100nF,+80-20%,25V,Y5V,TP,	
...3	CD47	2401-000455 C-AL;10uF,20%,35V,GP,TP,4x7mm,5mm	
...3	CD50	2203-000181 C-CERAMIC,CHIP;100nF,+80-20%,25V,Y5V,TP,	
...3	CD51	2203-000181 C-CERAMIC,CHIP;100nF,+80-20%,25V,Y5V,TP,	
...3	CD52	2203-000181 C-CERAMIC,CHIP;100nF,+80-20%,25V,Y5V,TP,	
...3	CD53	2203-000181 C-CERAMIC,CHIP;100nF,+80-20%,25V,Y5V,TP,	
...3	CD54	2203-000181 C-CERAMIC,CHIP;100nF,+80-20%,25V,Y5V,TP,	
...3	CD55	2203-000181 C-CERAMIC,CHIP;100nF,+80-20%,25V,Y5V,TP,	
...3	CD56	2203-000181 C-CERAMIC,CHIP;100nF,+80-20%,25V,Y5V,TP,	
...3	CD57	2401-001496 C-AL;47uF,20%,16V,GP,TP,5x7,5	
...3	CD58	2203-000181 C-CERAMIC,CHIP;100nF,+80-20%,25V,Y5V,TP,	
...3	CD59	2401-001496 C-AL;47uF,20%,16V,GP,TP,5x7,5	
...3	CD60	2401-001496 C-AL;47uF,20%,16V,GP,TP,5x7,5	
...3	CD62	2203-000181 C-CERAMIC,CHIP;100nF,+80-20%,25V,Y5V,TP,	
...3	CD63	2203-000181 C-CERAMIC,CHIP;100nF,+80-20%,25V,Y5V,TP,	
...3	CD64	2401-001496 C-AL;47uF,20%,16V,GP,TP,5x7,5	
...3	CD66	2401-001496 C-AL;47uF,20%,16V,GP,TP,5x7,5	
...3	CD67	2203-000181 C-CERAMIC,CHIP;100nF,+80-20%,25V,Y5V,TP,	
...3	CD68	2401-001496 C-AL;47uF,20%,16V,GP,TP,5x7,5	
...3	CD69	2203-000181 C-CERAMIC,CHIP;100nF,+80-20%,25V,Y5V,TP,	
...3	CD71	2401-001496 C-AL;47uF,20%,16V,GP,TP,5x7,5	
...3	CD72	2203-000181 C-CERAMIC,CHIP;100nF,+80-20%,25V,Y5V,TP,	
...3	CD74	2203-000181 C-CERAMIC,CHIP;100nF,+80-20%,25V,Y5V,TP,	
...3	CD75	2203-000626 C-CERAMIC,CHIP;0.022nF,5%,50V,NPO,TP,160	
...3	CD80	2203-000357 C-CERAMIC,CHIP;0.15nF,5%,50V,NPO,TP,1608	
...3	CD81	2203-000181 C-CERAMIC,CHIP;100nF,+80-20%,25V,Y5V,TP,	
...3	CD84	2203-000181 C-CERAMIC,CHIP;100nF,+80-20%,25V,Y5V,TP,	
...3	CD85	2203-000838 C-CERAMIC,CHIP;0.39nF,5%,50V,NPO,TP,1608	
...3	CD86	2203-000181 C-CERAMIC,CHIP;100nF,+80-20%,25V,Y5V,TP,	

Loc. No.	Code No.	Description ; Specification	Remark
----------	----------	-----------------------------	--------

...3	CD87	2203-000181 C-CERAMIC,CHIP;100nF,+80-20%,25V,Y5V,TP,	
...3	CD88	2203-000626 C-CERAMIC,CHIP;0.022nF,5%,50V,NPO,TP,160	
...3	CD89	2203-000626 C-CERAMIC,CHIP;0.022nF,5%,50V,NPO,TP,160	
...3	CD90	2203-000181 C-CERAMIC,CHIP;100nF,+80-20%,25V,Y5V,TP,	
...3	CD91	2203-000181 C-CERAMIC,CHIP;100nF,+80-20%,25V,Y5V,TP,	
...3	CON01	3711-002705 CONNECTOR-HEADER;NOWALL,7P,1R,2.5mm,ANGL	
...3	CON02	3711-002703 CONNECTOR-HEADER;NOWALL,5P,1R,2.5mm,ANGL	
...3	DD01	0403-001016 DIODE-ZENER;RLZ6.2B,6.2V,5.96-6.27V,400m	
...3	DD02	0403-001016 DIODE-ZENER;RLZ6.2B,6.2V,5.96-6.27V,400m	
...3	DD03	0401-000133 DIODE-SWITCHING;RLS4148,100V,200mA,SOD-8	
...3	FD00	2909-001051 FILTER-LC;6MHz,6MHz,0.8dB,TP,5dB/6MHz,30	
...3	FD01	2909-001051 FILTER-LC;6MHz,6MHz,0.8dB,TP,5dB/6MHz,30	
...3	FD02	2909-001052 FILTER-LC;3.58MHz,3MHz,1.5dB,TP,11dB/1.0	
...3	FD03	2909-001051 FILTER-LC;6MHz,6MHz,0.8dB,TP,5dB/6MHz,30	
...3	IC01	1204-001556 IC-SEPARATOR;UPD64082GF,QFP,100P,-,PLAST	
...3	IC02	1105-001334 IC-DRAM;4E151612,1Mx16Bit,TSOP,44P,400	
...3	IC04	1203-001419 IC-VOLTAGE REGULATOR;4931,TO-252,3P,6.6x	
...3	JD01	2007-000070 R-CHIP;0ohm,5%,1/16W,DA,TP,1608	
...3	JD04	2007-000070 R-CHIP;0ohm,5%,1/16W,DA,TP,1608	
...3	LD01	2702-001095 INDUCTOR-RADIAL;18uH,10%,6x4mm	
...3	LD03	2702-001095 INDUCTOR-RADIAL;18uH,10%,6x4mm	
...3	LD05	2702-001096 INDUCTOR-RADIAL;33uH,10%,6x4mm	
...3	LD06	2702-001095 INDUCTOR-RADIAL;18uH,10%,6x4mm	
...3	LD07	2901-000297 FILTER-EMI ON BOARD;-3A,-,-,3.5x5,TP,-	
...3	LD09	2703-000271 INDUCTOR-SMD;4.7uH,10%,2x1.25x1.25mm	
...3	LD10	3301-001186 CORE-FERRITE BEAD;AB,600ohm,3,2x1.6x1.3m	
...3	PCB	AA41-00128E PCB-3D COMB FILTER;CT-29A7DR,FR-4,2L,E,1	
...3	QD10	0501-000344 TR-SMALL SIGNAL;KSC1623-G,NPN,200mW,SOT-	
...3	QD11	0501-000280 TR-SMALL SIGNAL;KSA1182,PNP,150mW,SOT-23	
...3	QD12	0501-000280 TR-SMALL SIGNAL;KSA1182,PNP,150mW,SOT-23	
...3	QD13	0501-000344 TR-SMALL SIGNAL;KSC1623-G,NPN,200mW,SOT-	
...3	QD14	0501-000280 TR-SMALL SIGNAL;KSA1182,PNP,150mW,SOT-23	
...3	QD15	0501-000280 TR-SMALL SIGNAL;KSA1182,PNP,150mW,SOT-23	
...3	QD16	0501-000280 TR-SMALL SIGNAL;KSA1182,PNP,150mW,SOT-23	
...3	QD17	0501-000344 TR-SMALL SIGNAL;KSC1623-G,NPN,200mW,SOT-	
...3	QD18	0501-000280 TR-SMALL SIGNAL;KSA1182,PNP,150mW,SOT-23	
...3	QD19	0501-000344 TR-SMALL SIGNAL;KSC1623-G,NPN,200mW,SOT-	
...3	QD20	0501-000280 TR-SMALL SIGNAL;KSA1182,PNP,150mW,SOT-23	
...3	QD21	0501-000344 TR-SMALL SIGNAL;KSC1623-G,NPN,200mW,SOT-	
...3	QD22	0501-000280 TR-SMALL SIGNAL;KSA1182,PNP,150mW,SOT-23	
...3	QD23	0501-000344 TR-SMALL SIGNAL;KSC1623-G,NPN,200mW,SOT-	
...3	QD24	0501-000344 TR-SMALL SIGNAL;KSC1623-G,NPN,200mW,SOT-	
...3	QD25	0501-000280 TR-SMALL SIGNAL;KSA1182,PNP,150mW,SOT-23	
...3	QD26	0501-000344 TR-SMALL SIGNAL;KSC1623-G,NPN,200mW,SOT-	
...3	QD27	0501-000344 TR-SMALL SIGNAL;KSC1623-G,NPN,200mW,SOT-	
...3	QD28	0501-000280 TR-SMALL SIGNAL;KSA1182,PNP,150mW,SOT-23	
...3	QD40	0501-000344 TR-SMALL SIGNAL;KSC1623-G,NPN,200mW,SOT-	
...3	QD41	0501-000344 TR-SMALL SIGNAL;KSC1623-G,NPN,200mW,SOT-	
...3	RD00	2007-000074 R-CHIP;100ohm,5%,1/16W,DA,TP,1608	
...3	RD01	2007-000074 R-CHIP;100ohm,5%,1/16W,DA,TP,1608	
...3	RD02	2007-000119 R-CHIP;560ohm,5%,1/16W,DA,TP,1608	
...3	RD03	2007-000074 R-CHIP;100ohm,5%,1/16W,DA,TP,1608	
...3	RD04	2007-000094 R-CHIP;22Kohm,5%,1/16W,DA,TP,1608	
...3	RD05	2007-000088 R-CHIP;7.5Kohm,5%,1/16W,DA,TP,1608	
...3	RD06	2007-000078 R-CHIP;1Kohm,5%,1/16W,DA,TP,1608	
...3	RD07	2007-000078 R-CHIP;1Kohm,5%,1/16W,DA,TP,1608	
...3	RD08	2007-000119 R-CHIP;560ohm,5%,1/16W,DA,TP,1608	
...3	RD09	2007-000086 R-CHIP;5.6Kohm,5%,1/16W,DA,TP,1608	
...3	RD10	2007-000074 R-CHIP;100ohm,5%,1/16W,DA,TP,1608	
...3	RD11	2007-000074 R-CHIP;100ohm,5%,1/16W,DA,TP,1608	
...3	RD12	2007-000094 R-CHIP;22Kohm,5%,1/16W,DA,TP,1608	
...3	RD13	2007-000088 R-CHIP;7.5Kohm,5%,1/16W,DA,TP,1608	
...3	RD14	2007-000309 R-CHIP;10ohm,5%,1/16W,DA,TP,1608	
...3	RD15	2007-000078 R-CHIP;1Kohm,5%,1/16W,DA,TP,1608	
...3	RD16	2007-000119 R-CHIP;560ohm,5%,1/16W,DA,TP,1608	
...3	RD17	2007-000086 R-CHIP;5.6Kohm,5%,1/16W,DA,TP,1608	
...3	RD18	2007-000074 R-CHIP;100ohm,5%,1/16W,DA,TP,1608	
...3	RD19	2007-000119 R-CHIP;560ohm,5%,1/16W,DA,TP,1608	
...3	RD20	2007-001093 R-CHIP;620ohm,5%,1/16W,DA,TP,1608	
...3	RD21	2007-000075 R-CHIP;220ohm,5%,1/16W,DA,TP,1608	
...3	RD22	2007-000078 R-CHIP;1Kohm,5%,1/16W,DA,TP,1608	
...3	RD23	2007-000124 R-CHIP;2.2Kohm,5%,1/16W,DA,TP,1608	
...3	RD24	2007-000097 R-CHIP;47Kohm,5%,1/16W,DA,TP,1608	
...3	RD25	2007-000106 R-CHIP;220Kohm,5%,1/16W,DA,TP,1608	
...3	RD26	2007-000077 R-CHIP;470ohm,5%,1/16W,DA,TP,1608	
...3	RD27	2007-000084 R-CHIP;4.7Kohm,5%,1/16W,DA,TP,1608	
...3	RD37	2007-001093 R-CHIP;620ohm,5%,1/16W,DA,TP,1608	

Loc. No.	Code No.	Description ; Specification	Remark	Loc. No.	Code No.	Description ; Specification	Remark
...3	RD38	2007-000074	R-CHIP;100ohm,5%,1/16W,DA,TP,1608	...4	CC21	2203-000140	C-CERAMIC,CHIP;1.5nF,10%,50V,X7R,TP,1608
...3	RD39	2007-000078	R-CHIP;1Kohm,5%,1/16W,DA,TP,1608	...4	CC22	2203-000838	C-CERAMIC,CHIP;0.39nF,5%,50V,NPO,TP,1608
...3	RD40	2007-000583	R-CHIP;22Kohm,1%,1/16W,DA,TP,1608	...4	CC23	2203-000440	C-CERAMIC,CHIP;1nF,10%,50V,X7R,TP,1608,-
...3	RD41	2007-000052	R-CHIP;10Kohm,1%,1/16W,DA,TP,1608	...4	CC24	2203-005590	C-CERAMIC,CHIP;330NF,10%,16V,X7R,TP,2012
...3	RD42	2007-000583	R-CHIP;22Kohm,1%,1/16W,DA,TP,1608	...4	CC25	2203-005590	C-CERAMIC,CHIP;330NF,10%,16V,X7R,TP,2012
...3	RD43	2007-000869	R-CHIP;4.7Kohm,1%,1/16W,DA,TP,1608	...4	CC26	2203-005590	C-CERAMIC,CHIP;330NF,10%,16V,X7R,TP,2012
...3	RD50	2007-000078	R-CHIP;100ohm,5%,1/16W,DA,TP,1608	...4	CC27	2203-005590	C-CERAMIC,CHIP;330NF,10%,16V,X7R,TP,2012
...3	RD51	2007-000078	R-CHIP;1Kohm,5%,1/16W,DA,TP,1608	...4	CC28	2401-001496	C-AL;47uF,20%,16V,GP,TP,5x7,5
...3	RD59	2007-000102	R-CHIP;100Kohm,5%,1/16W,DA,TP,1608	...4	CC29	2203-001603	C-CERAMIC,CHIP;220nF,10%,16V,X7R,TP,2012
...3	RD62	2007-000309	R-CHIP;10ohm,5%,1/16W,DA,TP,1608	...4	CC30	2203-000140	C-CERAMIC,CHIP;1.5nF,10%,50V,X7R,TP,1608
...3	RD63	2007-000124	R-CHIP;2.2Kohm,5%,1/16W,DA,TP,1608	...4	CC31	2203-000838	C-CERAMIC,CHIP;0.39nF,5%,50V,NPO,TP,1608
...3	RD64	2007-000078	R-CHIP;1Kohm,5%,1/16W,DA,TP,1608	...4	CC32	2401-002183	C-AL;220uF,20%,16V,GP,TP,8x9,5mm
...3	RD65	2007-000078	R-CHIP;1Kohm,5%,1/16W,DA,TP,1608	...4	CC33	2203-000975	C-CERAMIC,CHIP;47nF,10%,25V,X7R,TP,1608,
...3	RD66	2007-000096	R-CHIP;30Kohm,5%,1/16W,DA,TP,1608	...4	CC35	2203-005590	C-CERAMIC,CHIP;330NF,10%,16V,X7R,TP,2012
...3	RD67	2007-000125	R-CHIP;3.9Kohm,5%,1/16W,DA,TP,1608	...4	CC36	2203-005590	C-CERAMIC,CHIP;330NF,10%,16V,X7R,TP,2012
...3	RD68	2007-000124	R-CHIP;2.2Kohm,5%,1/16W,DA,TP,1608	...4	CC37	2203-000681	C-CERAMIC,CHIP;0.027nF,5%,50V,NPO,TP,160
...3	RD69	2007-000077	R-CHIP;470ohm,5%,1/16W,DA,TP,1608	...4	CC38	2203-000681	C-CERAMIC,CHIP;0.027nF,5%,50V,NPO,TP,160
...3	RD70	2007-000077	R-CHIP;470ohm,5%,1/16W,DA,TP,1608	...4	CC39	2203-000681	C-CERAMIC,CHIP;0.027nF,5%,50V,NPO,TP,160
...3	RD71	2007-000234	R-CHIP;1.3Kohm,5%,1/16W,DA,TP,1608	...4	CC40	2203-000681	C-CERAMIC,CHIP;0.027nF,5%,50V,NPO,TP,160
...3	RD72	2007-000077	R-CHIP;470ohm,5%,1/16W,DA,TP,1608	...4	CC41	2203-000998	C-CERAMIC,CHIP;0.047nF,5%,50V,NPO,TP,160
...3	RD73	2007-000074	R-CHIP;100ohm,5%,1/16W,DA,TP,1608	...4	CC42	2401-001496	C-AL;47uF,20%,16V,GP,TP,5x7,5
...3	RD74	2007-000077	R-CHIP;470ohm,5%,1/16W,DA,TP,1608	...4	CC43	2203-000181	C-CERAMIC,CHIP;100nF,+80-20%,25V,Y5V,TP,
...3	RD75	2007-000074	R-CHIP;100ohm,5%,1/16W,DA,TP,1608	...4	CC44	2401-001496	C-AL;47uF,20%,16V,GP,TP,5x7,5
...3	RD76	2007-000074	R-CHIP;100ohm,5%,1/16W,DA,TP,1608	...4	CC45	2401-000486	C-AL;10uF,20%,50V,GP,TP,6.3x7mm,5
...3	RD77	2007-000074	R-CHIP;100ohm,5%,1/16W,DA,TP,1608	...4	CC47	2203-000181	C-CERAMIC,CHIP;100nF,+80-20%,25V,Y5V,TP,
...3	RD78	2007-000074	R-CHIP;100ohm,5%,1/16W,DA,TP,1608	...4	CC48	2203-005384	C-CERAMIC,CHIP;4700nF,+80-20%,10V,Y5V,TP
...3	RD79	2007-000074	R-CHIP;100ohm,5%,1/16W,DA,TP,1608	...4	CC49	2203-005384	C-CERAMIC,CHIP;4700nF,+80-20%,10V,Y5V,TP
...3	RD82	2007-000309	R-CHIP;10ohm,5%,1/16W,DA,TP,1608	...4	CC50	2203-005384	C-CERAMIC,CHIP;4700nF,+80-20%,10V,Y5V,TP
...3	RD83	2007-000124	R-CHIP;2.2Kohm,5%,1/16W,DA,TP,1608	...4	CD01	0401-000133	DIODE-SWITCHING;RLS4148,100V,200mA,SOD-8
...3	RD84	2007-000119	R-CHIP;560ohm,5%,1/16W,DA,TP,1608	...4	CD02	0401-000133	DIODE-SWITCHING;RLS4148,100V,200mA,SOD-8
...3	RD85	2007-000086	R-CHIP;5.6Kohm,5%,1/16W,DA,TP,1608	...4	CF01	2901-001120	FILTER-EMI SMD;25V,100mA,-,-,3.2x1.6x1,T
...3	RD86	2007-000077	R-CHIP;470ohm,5%,1/16W,DA,TP,1608	...4	CF02	2901-001120	FILTER-EMI SMD;25V,100mA,-,-,3.2x1.6x1,T
...3	RD87	2007-000077	R-CHIP;470ohm,5%,1/16W,DA,TP,1608	...4	CL03	3301-001186	CORE-FERRITE BEAD;AB,600ohm,3,2x1.6x1.3m
...3	RD88	2007-000211	R-CHIP;1.1Kohm,5%,1/16W,DA,TP,1608	...4	CL05	3301-001324	CORE-FERRITE BEAD;AB,150HM,2X1.25X0.9MM,
...3	RD89	2007-000113	R-CHIP;33ohm,5%,1/16W,DA,TP,1608	...4	CL06	3301-001324	CORE-FERRITE BEAD;AB,150HM,2X1.25X0.9MM,
...3	RD90	2007-000074	R-CHIP;100ohm,5%,1/16W,DA,TP,1608	...4	CL07	3301-001324	CORE-FERRITE BEAD;AB,150HM,2X1.25X0.9MM,
...3	RD91	2007-000077	R-CHIP;470ohm,5%,1/16W,DA,TP,1608	...4	CQ01	0501-000344	TR-SMALL SIGNAL;KSC1623-G,NPN,200mW,SOT-
...3	RD92	2007-000074	R-CHIP;100ohm,5%,1/16W,DA,TP,1608	...4	CQ02	0501-000344	TR-SMALL SIGNAL;KSC1623-G,NPN,200mW,SOT-
...3	RD93	2007-000070	R-CHIP;0ohm,5%,1/16W,DA,TP,1608	...4	CQ03	0501-000344	TR-SMALL SIGNAL;KSC1623-G,NPN,200mW,SOT-
...3	RD94	2007-000070	R-CHIP;0ohm,5%,1/16W,DA,TP,1608	...4	CQ04	0501-000344	TR-SMALL SIGNAL;KSC1623-G,NPN,200mW,SOT-
...3	RD95	2007-000078	R-CHIP;1Kohm,5%,1/16W,DA,TP,1608	...4	CQ05	0501-000344	TR-SMALL SIGNAL;KSC1623-G,NPN,200mW,SOT-
...3	RD96	2007-000077	R-CHIP;470ohm,5%,1/16W,DA,TP,1608	...4	CR01	2007-001166	R-CHIP;750HM,5%,1/10W,DA,TP,2012
...3	RD97	2007-000077	R-CHIP;470ohm,5%,1/16W,DA,TP,1608	...4	CR02	2007-001166	R-CHIP;750HM,5%,1/10W,DA,TP,2012
...3	RD98	2007-000070	R-CHIP;0ohm,5%,1/16W,DA,TP,1608	...4	CR03	2007-001166	R-CHIP;750HM,5%,1/10W,DA,TP,2012
...3	XTAL01	2801-000199	CRYSTAL-UNIT;20MHz,50ppm,28-AAA,16pF,50o	...4	CR04	2007-001166	R-CHIP;750HM,5%,1/10W,DA,TP,2012
...3	AA98-60005J	ASSY-SUB,PART;S51A,SOUND,NICAM,-		...4	CR05	2007-001167	R-CHIP;75ohm,5%,1/16W,DA,TP,1608
...4	0202-001004	SOLDER-CREAM;SQ-2030M SZH-1,S63A,DO,04,6		...4	CR06	2007-001167	R-CHIP;75ohm,5%,1/16W,DA,TP,1608
...4	0202-000187	SOLDER-WIRE FLUX;-RS60S,D1.2,63Sn/37Pb		...4	CR07	2007-001167	R-CHIP;75ohm,5%,1/16W,DA,TP,1608
...3	AA63-40014A	SHIELD-CASE,T,-SPT,TO.5,SCT51A,-		...4	CR08	2007-001167	R-CHIP;75ohm,5%,1/16W,DA,TP,1608
...2	AA95-00996A	ASSY-PCB,DW-SRC;PCL545R,P54A		...4	CR09	2007-000074	R-CHIP;100ohm,5%,1/16W,DA,TP,1608
...3	CN01	3703-001124	CONNECTOR-DIN;32P,2R,MALE,ANGLE,AUF	...4	CR10	2007-000074	R-CHIP;100ohm,5%,1/16W,DA,TP,1608
...3	CN02	3703-001124	CONNECTOR-DIN;32P,2R,MALE,ANGLE,AUF	...4	CR12	2007-000072	R-CHIP;47ohm,5%,1/16W,DA,TP,1608
...3	CX01	2801-004019	CRYSTAL-UNIT;20.25MHz,30ppm,28-AAM,13pF,	...4	CR13	2007-000072	R-CHIP;47ohm,5%,1/16W,DA,TP,1608
...3	DX01	2801-003811	CRYSTAL-UNIT;24.576MHz,20PPM,28-AAM,30PF	...4	CR14	2007-000072	R-CHIP;47ohm,5%,1/16W,DA,TP,1608
...3	PX01	2801-004019	CRYSTAL-UNIT;20.25MHz,30ppm,28-AAM,13pF,	...4	CR15	2007-000029	R-CHIP;00HM,5%,1/10W,DA,TP,2012
...3	0202-000187	SOLDER-WIRE FLUX;-RS60S,D1.2,63Sn/37Pb		...4	CR16	2007-000029	R-CHIP;00HM,5%,1/10W,DA,TP,2012
...3	AA99-20088T	ASSY-PCB SUB,AUTO; AA95-00996A _V	S.N.A	...4	CR20	2007-000074	R-CHIP;100ohm,5%,1/16W,DA,TP,1608
...4	CC01	2203-001603	C-CERAMIC,CHIP;220nF,10%,16V,X7R,TP,2012	...4	CR22	2007-000074	R-CHIP;100ohm,5%,1/16W,DA,TP,1608
...4	CC02	2203-000181	C-CERAMIC,CHIP;100nF,+80-20%,25V,Y5V,TP,	...4	CR25	2007-001166	R-CHIP;750HM,5%,1/10W,DA,TP,2012
...4	CC03	2203-001603	C-CERAMIC,CHIP;220nF,10%,16V,X7R,TP,2012	...4	CR27	2007-000074	R-CHIP;100ohm,5%,1/16W,DA,TP,1608
...4	CC04	2203-001603	C-CERAMIC,CHIP;220nF,10%,16V,X7R,TP,2012	...4	CR28	2007-000078	R-CHIP;1Kohm,5%,1/16W,DA,TP,1608
...4	CC05	2203-000140	C-CERAMIC,CHIP;1.5nF,10%,50V,X7R,TP,1608	...4	CR29	2007-000124	R-CHIP;2.2Kohm,5%,1/16W,DA,TP,1608
...4	CC06	2203-000838	C-CERAMIC,CHIP;0.39nF,5%,50V,NPO,TP,1608	...4	CR30	2007-000119	R-CHIP;560ohm,5%,1/16W,DA,TP,1608
...4	CC07	2203-000181	C-CERAMIC,CHIP;100nF,+80-20%,25V,Y5V,TP,	...4	CR31	2007-000643	R-CHIP;270ohm,5%,1/16W,DA,TP,1608
...4	CC08	2203-000975	C-CERAMIC,CHIP;47nF,10%,25V,X7R,TP,1608,	...4	CR32	2007-000290	R-CHIP;1000HM,5%,1/10W,DA,TP,2012
...4	CC09	2203-000140	C-CERAMIC,CHIP;1.5nF,10%,50V,X7R,TP,1608	...4	CR33	2007-000290	R-CHIP;1000HM,5%,1/10W,DA,TP,2012
...4	CC10	2203-000181	C-CERAMIC,CHIP;100nF,+80-20%,25V,Y5V,TP,	...4	CR35	2007-000090	R-CHIP;10Kohm,5%,1/16W,DA,TP,1608
...4	CC11	2203-000181	C-CERAMIC,CHIP;100nF,+80-20%,25V,Y5V,TP,	...4	CR37	2007-000074	R-CHIP;100ohm,5%,1/16W,DA,TP,1608
...4	CC12	2203-000181	C-CERAMIC,CHIP;100nF,+80-20%,25V,Y5V,TP,	...4	CR38	2007-000074	R-CHIP;100ohm,5%,1/16W,DA,TP,1608
...4	CC13	2203-000181	C-CERAMIC,CHIP;100nF,+80-20%,25V,Y5V,TP,	...4	CR45	2007-000074	R-CHIP;100ohm,5%,1/16W,DA,TP,1608
...4	CC14	2203-000181	C-CERAMIC,CHIP;100nF,+80-20%,25V,Y5V,TP,	...4	CR46	2007-000078	R-CHIP;1Kohm,5%,1/16W,DA,TP,1608
...4	CC15	2203-001646	C-CERAMIC,CHIP;3pF,0.5pF,50V,NPO,TP,2012	...4	CR47	2007-000097	R-CHIP;47Kohm,5%,1/16W,DA,TP,1608
...4	CC16	2203-001646	C-CERAMIC,CHIP;3pF,0.5pF,50V,NPO,TP,2012	...4	CR48	2007-000097	R-CHIP;47Kohm,5%,1/16W,DA,TP,1608
...4	CC17	2401-002183	C-AL;220uF,20%,16V,GP,TP,8x9,5mm	...4	CR49	2007-000077	R-CHIP;470ohm,5%,1/16W,DA,TP,1608
...4	CC18	2203-000975	C-CERAMIC,CHIP;47nF,10%,25V,X7R,TP,1608,	...4	CR50	2007-000097	R-CHIP;47Kohm,5%,1/16W,DA,TP,1608
...4	CC19	2401-001496	C-AL;47uF,20%,16V,GP,TP,5x7,5	...4	CR51	2007-000097	R-CHIP;47Kohm,5%,1/16W,DA,TP,1608
...4	CC20	2203-001603	C-CERAMIC,CHIP;220nF,10%,16V,X7R,TP,2012	...4	CR52	2007-000077	R-CHIP;470ohm,5%,1/16W,DA,TP,1608

Loc. No.	Code No.	Description ; Specification	Remark	Loc. No.	Code No.	Description ; Specification	Remark
....4	CR53	2007-000097	R-CHIP;47Kohm,5%,1/16W,DA,TP,1608	....4	PC08	2203-000181	C-CERAMIC,CHIP;100nF,+80-20%,25V,Y5V,TP,
....4	CR54	2007-000097	R-CHIP;47Kohm,5%,1/16W,DA,TP,1608	....4	PC09	2203-000181	C-CERAMIC,CHIP;100nF,+80-20%,25V,Y5V,TP,
....4	CR55	2007-000077	R-CHIP;470ohm,5%,1/16W,DA,TP,1608	....4	PC10	2203-000181	C-CERAMIC,CHIP;100nF,+80-20%,25V,Y5V,TP,
....4	CR56	2007-000029	R-CHIP;00HM,5%,1/10W,DA,TP,2012	....4	PC11	2203-000181	C-CERAMIC,CHIP;100nF,+80-20%,25V,Y5V,TP,
....4	DC16	2401-001496	C-AL;47uF,20%,16V,GP,TP,5x7,5	....4	PC12	2203-001646	C-CERAMIC,CHIP;3pF,0.5pF,50V,NPO,TP,2012
....4	DC17	2401-002009	C-AL;100uF,20%,16V,GP,TP,6.3x7,5	....4	PC13	2203-001646	C-CERAMIC,CHIP;3pF,0.5pF,50V,NPO,TP,2012
....4	DC18	2203-000181	C-CERAMIC,CHIP;100nF,+80-20%,25V,Y5V,TP,	....4	PC14	2401-002183	C-AL;220uF,20%,16V,GP,TP,8x9,5mm
....4	DC19	2401-002009	C-AL;100uF,20%,16V,GP,TP,6.3x7,5	....4	PC15	2203-000975	C-CERAMIC,CHIP;47nF,10%,25V,X7R,TP,1608,
....4	DC20	2203-000181	C-CERAMIC,CHIP;100nF,+80-20%,25V,Y5V,TP,	....4	PC16	2401-002144	C-AL;47uF,20%,16V,GP,TP,5x11,5
....4	DC21	2203-001083	C-CERAMIC,CHIP;0.005nF,0.1pF,50V,NPO,TP,	....4	PC17	2203-001603	C-CERAMIC,CHIP;220nF,10%,16V,X7R,TP,2012
....4	DC22	2203-001083	C-CERAMIC,CHIP;0.005nF,0.1pF,50V,NPO,TP,	....4	PC18	2203-000140	C-CERAMIC,CHIP;1.5nF,10%,50V,X7R,TP,1608
....4	DC23	2203-002494	C-CERAMIC,CHIP;470nF,10%,16V,X7R,TP,2012	....4	PC19	2203-000838	C-CERAMIC,CHIP;0.39nF,5%,50V,NPO,TP,1608
....4	DC24	2203-001656	C-CERAMIC,CHIP;0.47nF,5%,50V,NPO,TP,1608	....4	PC20	2203-000440	C-CERAMIC,CHIP;1nF,10%,50V,X7R,TP,1608,-
....4	DC25	2203-000440	C-CERAMIC,CHIP;1nF,10%,50V,X7R,TP,1608,-	....4	PC21	2203-005590	C-CERAMIC,CHIP;330nF,10%,16V,X7R,TP,2012
....4	DC26	2203-000440	C-CERAMIC,CHIP;1nF,10%,50V,X7R,TP,1608,-	....4	PC22	2203-005590	C-CERAMIC,CHIP;330nF,10%,16V,X7R,TP,2012
....4	DC27	2401-000598	C-AL;1uF,20%,50V,GP,TP,4x7,5	....4	PC23	2401-001496	C-AL;47uF,20%,16V,GP,TP,5x7,5
....4	DC28	2203-000181	C-CERAMIC,CHIP;100nF,+80-20%,25V,Y5V,TP,	....4	PC24	2203-001603	C-CERAMIC,CHIP;220nF,10%,16V,X7R,TP,2012
....4	DC29	2203-000440	C-CERAMIC,CHIP;1nF,10%,50V,X7R,TP,1608,-	....4	PC25	2203-000140	C-CERAMIC,CHIP;1.5nF,10%,50V,X7R,TP,1608
....4	DC30	2203-000440	C-CERAMIC,CHIP;1nF,10%,50V,X7R,TP,1608,-	....4	PC26	2203-000838	C-CERAMIC,CHIP;0.39nF,5%,50V,NPO,TP,1608
....4	DC31	2203-000440	C-CERAMIC,CHIP;1nF,10%,50V,X7R,TP,1608,-	....4	PC27	2401-002183	C-AL;220uF,20%,16V,GP,TP,8x9,5mm
....4	DC32	2203-000181	C-CERAMIC,CHIP;100nF,+80-20%,25V,Y5V,TP,	....4	PC28	2203-000975	C-CERAMIC,CHIP;47nF,10%,25V,X7R,TP,1608,
....4	DC33	2203-000181	C-CERAMIC,CHIP;100nF,+80-20%,25V,Y5V,TP,	....4	PC29	2203-000181	C-CERAMIC,CHIP;100nF,+80-20%,25V,Y5V,TP,
....4	DC34	2203-000998	C-CERAMIC,CHIP;0.047nF,5%,50V,NPO,TP,160	....4	PC30	2203-000181	C-CERAMIC,CHIP;100nF,+80-20%,25V,Y5V,TP,
....4	DC35	2203-000181	C-CERAMIC,CHIP;100nF,+80-20%,25V,Y5V,TP,	....4	PC31	2203-000181	C-CERAMIC,CHIP;100nF,+80-20%,25V,Y5V,TP,
....4	DC36	2203-000236	C-CERAMIC,CHIP;0.1nF,5%,50V,NPO,TP,1608	....4	PC32	2203-000181	C-CERAMIC,CHIP;100nF,+80-20%,25V,Y5V,TP,
....4	DC37	2203-000140	C-CERAMIC,CHIP;1.5nF,10%,50V,X7R,TP,1608	....4	PC33	2203-000181	C-CERAMIC,CHIP;100nF,+80-20%,25V,Y5V,TP,
....4	DC38	2203-000236	C-CERAMIC,CHIP;0.1nF,5%,50V,NPO,TP,1608	....4	PC34	2203-000181	C-CERAMIC,CHIP;100nF,+80-20%,25V,Y5V,TP,
....4	DC39	2401-000598	C-AL;1uF,20%,50V,GP,TP,4x7,5	....4	PC35	2203-000181	C-CERAMIC,CHIP;100nF,+80-20%,25V,Y5V,TP,
....4	DD01	0401-000133	DIODE-SWITCHING;RLS4148,100V,200mA,SOD-8	....4	PC36	2203-000181	C-CERAMIC,CHIP;100nF,+80-20%,25V,Y5V,TP,
....4	DD02	0401-000133	DIODE-SWITCHING;RLS4148,100V,200mA,SOD-8	....4	PC37	2203-000181	C-CERAMIC,CHIP;100nF,+80-20%,25V,Y5V,TP,
....4	DD03	0403-000689	DIODE-ZENER;DTZ5.1A,5.1V,4.84-5.04V,200m	....4	PC38	2203-000181	C-CERAMIC,CHIP;100nF,+80-20%,25V,Y5V,TP,
....4	DD06	0403-000689	DIODE-ZENER;DTZ5.1A,5.1V,4.84-5.04V,200m	....4	PC39	2203-000181	C-CERAMIC,CHIP;100nF,+80-20%,25V,Y5V,TP,
....4	DD07	0401-000133	DIODE-SWITCHING;RLS4148,100V,200mA,SOD-8	....4	PC40	2203-000181	C-CERAMIC,CHIP;100nF,+80-20%,25V,Y5V,TP,
....4	DL05	3301-001324	CORE-FERRITE BEAD;AB,150HM,2X1.25X0.9MM,	....4	PC41	2401-001496	C-AL;47uF,20%,16V,GP,TP,5x7,5
....4	DL06	3301-001324	CORE-FERRITE BEAD;AB,150HM,2X1.25X0.9MM,	....4	PC42	2203-000181	C-CERAMIC,CHIP;100nF,+80-20%,25V,Y5V,TP,
....4	DL07	2702-001092	INDUCTOR-RADIAL;2.2uH,10%,6x4mm	....4	PC43	2401-001496	C-AL;47uF,20%,16V,GP,TP,5x7,5
....4	DQ01	0501-000280	TR-SMALL SIGNAL;KSA1182,PNP,150mW,SOT-23	....4	PC47	2203-000236	C-CERAMIC,CHIP;0.1nF,5%,50V,NPO,TP,1608
....4	DR16	2007-000074	R-CHIP;100ohm,5%,1/16W,DA,TP,1608	....4	PC48	2203-000236	C-CERAMIC,CHIP;0.1nF,5%,50V,NPO,TP,1608
....4	DR17	2007-000074	R-CHIP;100ohm,5%,1/16W,DA,TP,1608	....4	PC49	2203-000236	C-CERAMIC,CHIP;0.1nF,5%,50V,NPO,TP,1608
....4	DR18	2007-000101	R-CHIP;82Kohm,5%,1/16W,DA,TP,1608	....4	PC52	2203-001603	C-CERAMIC,CHIP;220nF,10%,16V,X7R,TP,2012
....4	DR19	2007-000072	R-CHIP;47ohm,5%,1/16W,DA,TP,1608	....4	PC53	2203-000181	C-CERAMIC,CHIP;100nF,+80-20%,25V,Y5V,TP,
....4	DR20	2007-000081	R-CHIP;2.7Kohm,5%,1/16W,DA,TP,1608	....4	PC54	2203-001603	C-CERAMIC,CHIP;220nF,10%,16V,X7R,TP,2012
....4	DR22	2007-000084	R-CHIP;4.7Kohm,5%,1/16W,DA,TP,1608	....4	PC55	2203-005590	C-CERAMIC,CHIP;330nF,10%,16V,X7R,TP,2012
....4	DR23	2007-000097	R-CHIP;47Kohm,5%,1/16W,DA,TP,1608	....4	PC56	2203-005590	C-CERAMIC,CHIP;330nF,10%,16V,X7R,TP,2012
....4	DR24	2007-000100	R-CHIP;68Kohm,5%,1/16W,DA,TP,1608	....4	PC57	2203-005590	C-CERAMIC,CHIP;330nF,10%,16V,X7R,TP,2012
....4	DR25	2007-000129	R-CHIP;27Kohm,5%,1/16W,DA,TP,1608	....4	PC58	2203-005590	C-CERAMIC,CHIP;330nF,10%,16V,X7R,TP,2012
....4	DR26	2007-000090	R-CHIP;10Kohm,5%,1/16W,DA,TP,1608	....4	PC78	2203-000181	C-CERAMIC,CHIP;100nF,+80-20%,25V,Y5V,TP,
....4	DR27	2007-000127	R-CHIP;9.1Kohm,5%,1/16W,DA,TP,1608	....4	PCB	AA41-00418A	PCB-DW SRC,PCL545R,FR-4,4L,A,1.6T,245X24
....4	DR29	2007-000078	R-CHIP;1Kohm,5%,1/16W,DA,TP,1608	....4	PIC01	1204-001598	IC-VIDEO PROCESS;VPC3230D-B2,QFP,80P,-P
....4	DR30	2007-000078	R-CHIP;1Kohm,5%,1/16W,DA,TP,1608	....4	PIC02	1109-001144	IC-FIFO;81V04160,2x256Kx8Bit,TQFP,100P
....4	DR31	2007-000078	R-CHIP;1Kohm,5%,1/16W,DA,TP,1608	....4	PIC04	1203-001419	IC-VOLTAGE REGULATOR;4931,TO-252,3P,6.6x
....4	DR32	2007-000118	R-CHIP;390ohm,5%,1/16W,DA,TP,1608	....4	PL01	3301-001324	CORE-FERRITE BEAD;AB,150HM,2X1.25X0.9MM,
....4	DR33	2007-000078	R-CHIP;1Kohm,5%,1/16W,DA,TP,1608	....4	PL02	3301-001324	CORE-FERRITE BEAD;AB,150HM,2X1.25X0.9MM,
....4	DR34	2007-000074	R-CHIP;100ohm,5%,1/16W,DA,TP,1608	....4	PRO1	2007-001166	R-CHIP;750HM,5%,1/10W,DA,TP,2012
....4	DR35	2007-000084	R-CHIP;4.7Kohm,5%,1/16W,DA,TP,1608	....4	PRO2	2007-001166	R-CHIP;750HM,5%,1/10W,DA,TP,2012
....4	DR36	2007-000077	R-CHIP;470ohm,5%,1/16W,DA,TP,1608	....4	PRO3	2007-000074	R-CHIP;100ohm,5%,1/16W,DA,TP,1608
....4	DR37	2007-000084	R-CHIP;4.7Kohm,5%,1/16W,DA,TP,1608	....4	PRO4	2007-000074	R-CHIP;100ohm,5%,1/16W,DA,TP,1608
....4	DR38	2007-000079	R-CHIP;1.8Kohm,5%,1/16W,DA,TP,1608	....4	PRO6	2007-000072	R-CHIP;47ohm,5%,1/16W,DA,TP,1608
....4	DR40	2007-000074	R-CHIP;100ohm,5%,1/16W,DA,TP,1608	....4	PRO7	2007-000072	R-CHIP;47ohm,5%,1/16W,DA,TP,1608
....4	DR41	2007-000074	R-CHIP;100ohm,5%,1/16W,DA,TP,1608	....4	PRO8	2007-000072	R-CHIP;47ohm,5%,1/16W,DA,TP,1608
....4	DR44	2007-000084	R-CHIP;4.7Kohm,5%,1/16W,DA,TP,1608	....4	PR11	2007-000029	R-CHIP;00HM,5%,1/10W,DA,TP,2012
....4	DR46	2007-000124	R-CHIP;2.2Kohm,5%,1/16W,DA,TP,1608	....4	PR12	2007-000029	R-CHIP;00HM,5%,1/10W,DA,TP,2012
....4	IC01	1204-001598	IC-VIDEO PROCESS;VPC3230D-B2,QFP,80P,-P	....4	PR19	2007-000029	R-CHIP;00HM,5%,1/10W,DA,TP,2012
....4	IC02	1204-001623	IC-VERTICAL PROCESS;SDA9400,QFP,64P,-P	....4	PR20	2007-000290	R-CHIP;1000HM,5%,1/10W,DA,TP,2012
....4	IC03	1002-001045	IC-D/A CONVERTER;9280,8BIT,PLCC,68P,-P	....4	SC01	2401-001496	C-AL;47uF,20%,16V,GP,TP,5x7,5
....4	IC06	1204-001372	IC-HOR./VER.PROCESS;SDA9361,QFP,44P,-P	....4	SC02	2203-000181	C-CERAMIC,CHIP;100nF,+80-20%,25V,Y5V,TP,
....4	IC07	1204-001550	IC-VIDEO PROCESS;CXA2101AQ,QFP,80P,-PLA	....4	SC03	2401-001496	C-AL;47uF,20%,16V,GP,TP,5x7,5
....4	IC11	1203-001419	IC-VOLTAGE REGULATOR;4931,TO-252,3P,6.6x	....4	SC04	2203-000181	C-CERAMIC,CHIP;100nF,+80-20%,25V,Y5V,TP,
....4	IC12	1203-001140	IC-VOL. DETECTOR;7039,TO-92P,3P,-PLASTI	....4	SC05	2203-000181	C-CERAMIC,CHIP;100nF,+80-20%,25V,Y5V,TP,
....4	IC13	1203-001419	IC-VOLTAGE REGULATOR;4931,TO-252,3P,6.6x	....4	SC06	2203-000181	C-CERAMIC,CHIP;100nF,+80-20%,25V,Y5V,TP,
....4	PC01	2203-001603	C-CERAMIC,CHIP;220nF,10%,16V,X7R,TP,2012	....4	SC07	2203-000181	C-CERAMIC,CHIP;100nF,+80-20%,25V,Y5V,TP,
....4	PC02	2203-000140	C-CERAMIC,CHIP;1.5nF,10%,50V,X7R,TP,1608	....4	SC08	2203-000181	C-CERAMIC,CHIP;100nF,+80-20%,25V,Y5V,TP,
....4	PC03	2203-000838	C-CERAMIC,CHIP;0.39nF,5%,50V,NPO,TP,1608	....4	SC09	2203-000181	C-CERAMIC,CHIP;100nF,+80-20%,25V,Y5V,TP,
....4	PC04	2203-000181	C-CERAMIC,CHIP;100nF,+80-20%,25V,Y5V,TP,	....4	SC11	2203-000181	C-CERAMIC,CHIP;100nF,+80-20%,25V,Y5V,TP,
....4	PC05	2203-000975	C-CERAMIC,CHIP;47nF,10%,25V,X7R,TP,1608,	....4	SC12	2203-000181	C-CERAMIC,CHIP;100nF,+80-20%,25V,Y5V,TP,
....4	PC06	2203-000140	C-CERAMIC,CHIP;1.5nF,10%,50V,X7R,TP,1608	....4	SC13	2203-000181	C-CERAMIC,CHIP;100nF,+80-20%,25V,Y5V,TP,
....4	PC07	2203-000181	C-CERAMIC,CHIP;100nF,+80-20%,25V,Y5V,TP,	....4	SC14	2203-000181	C-CERAMIC,CHIP;100nF,+80-20%,25V,Y5V,TP,



Loc. No.	Code No.	Description ; Specification	Remark	Loc. No.	Code No.	Description ; Specification	Remark
...4	SC21	2203-000181	C-CERAMIC,CHIP;100nF,+80-20%,25V,Y5V,TP,	...4	YC24	2203-000181	C-CERAMIC,CHIP;100nF,+80-20%,25V,Y5V,TP,
...4	SC22	2401-003102	C-AL;100uF,20%,10V,GP,TP,5x11,5	...4	YC25	2203-000181	C-CERAMIC,CHIP;100nF,+80-20%,25V,Y5V,TP,
...4	SC23	2203-000181	C-CERAMIC,CHIP;100nF,+80-20%,25V,Y5V,TP,	...4	YC26	2401-001496	C-AL;47uF,20%,16V,GP,TP,5x7,5
...4	SC24	2203-000181	C-CERAMIC,CHIP;100nF,+80-20%,25V,Y5V,TP,	...4	YC27	2203-000575	C-CERAMIC,CHIP;220NF,10%,25V,X7R,TP,2012
...4	SC25	2203-000140	C-CERAMIC,CHIP;1.5nF,10%,50V,X7R,TP,1608	...4	YC28	2203-000575	C-CERAMIC,CHIP;220NF,10%,25V,X7R,TP,2012
...4	SC26	2203-000236	C-CERAMIC,CHIP;0.1nF,5%,50V,NPO,TP,1608	...4	YC29	2203-000575	C-CERAMIC,CHIP;220NF,10%,25V,X7R,TP,2012
...4	SC27	2203-000181	C-CERAMIC,CHIP;100nF,+80-20%,25V,Y5V,TP,	...4	YC30	2203-002494	C-CERAMIC,CHIP;470nF,10%,16V,X7R,TP,2012
...4	SC28	2203-000552	C-CERAMIC,CHIP;0.02nF,5%,50V,NPO,TP,1608	...4	YC31	2401-000486	C-AL;10uF,20%,50V,GP,TP,6.3x7mm,5
...4	SC29	2203-000181	C-CERAMIC,CHIP;100nF,+80-20%,25V,Y5V,TP,	...4	YC32	2203-000257	C-CERAMIC,CHIP;10nF,10%,50V,X7R,TP,1608
...4	SC30	2401-000480	C-AL;10uF,20%,50V,GP,TP,5x11,5	...4	YC33	2203-000257	C-CERAMIC,CHIP;10nF,10%,50V,X7R,TP,1608
...4	SC31	2401-000480	C-AL;10uF,20%,50V,GP,TP,5x11,5	...4	YC34	2203-000257	C-CERAMIC,CHIP;10nF,10%,50V,X7R,TP,1608
...4	SC32	2203-000181	C-CERAMIC,CHIP;100nF,+80-20%,25V,Y5V,TP,	...4	YC35	2203-000257	C-CERAMIC,CHIP;10nF,10%,50V,X7R,TP,1608
...4	SC33	2203-000552	C-CERAMIC,CHIP;0.02nF,5%,50V,NPO,TP,1608	...4	YC36	2203-000257	C-CERAMIC,CHIP;10nF,10%,50V,X7R,TP,1608
...4	SC34	2203-000181	C-CERAMIC,CHIP;100nF,+80-20%,25V,Y5V,TP,	...4	YC37	2203-000257	C-CERAMIC,CHIP;10nF,10%,50V,X7R,TP,1608
...4	SC35	2203-000181	C-CERAMIC,CHIP;100nF,+80-20%,25V,Y5V,TP,	...4	YC38	2401-000486	C-AL;10uF,20%,50V,GP,TP,6.3x7mm,5
...4	SC36	2401-000480	C-AL;10uF,20%,50V,GP,TP,5x11,5	...4	YC39	2203-000998	C-CERAMIC,CHIP;0.047nF,5%,50V,NPO,TP,160
...4	SC37	2203-000181	C-CERAMIC,CHIP;100nF,+80-20%,25V,Y5V,TP,	...4	YC40	2203-000998	C-CERAMIC,CHIP;0.047nF,5%,50V,NPO,TP,160
...4	SC38	2203-000552	C-CERAMIC,CHIP;0.02nF,5%,50V,NPO,TP,1608	...4	YC45	2203-002494	C-CERAMIC,CHIP;470nF,10%,16V,X7R,TP,2012
...4	SC51	2401-001496	C-AL;47uF,20%,16V,GP,TP,5x7,5	...4	YC46	2203-000257	C-CERAMIC,CHIP;10nF,10%,50V,X7R,TP,1608
...4	SC52	2203-000181	C-CERAMIC,CHIP;100nF,+80-20%,25V,Y5V,TP,	...4	YC47	2203-000257	C-CERAMIC,CHIP;10nF,10%,50V,X7R,TP,1608
...4	SC53	2401-001496	C-AL;47uF,20%,16V,GP,TP,5x7,5	...4	YC48	2203-000257	C-CERAMIC,CHIP;10nF,10%,50V,X7R,TP,1608
...4	SC54	2203-000181	C-CERAMIC,CHIP;100nF,+80-20%,25V,Y5V,TP,	...4	YC49	2203-000181	C-CERAMIC,CHIP;100nF,+80-20%,25V,Y5V,TP,
...4	SF01	2901-001120	FILTER-EMI SMD;25V,100mA,-,-,3.2x1.6x1,T	...4	YC50	2203-002494	C-CERAMIC,CHIP;100nF,+80-20%,25V,Y5V,TP,
...4	SL01	3301-001324	CORE-FERRITE BEAD;AB,150HM,2X1.25X0.9MM,	...4	YC51	2203-000491	C-CERAMIC,CHIP;2.2nF,10%,50V,X7R,TP,1608
...4	SL02	3301-001324	CORE-FERRITE BEAD;AB,150HM,2X1.25X0.9MM,	...4	YC52	2203-001083	C-CERAMIC,CHIP;0.005nF,0.1pF,50V,NPO,TP,
...4	SL03	3301-001324	CORE-FERRITE BEAD;AB,150HM,2X1.25X0.9MM,	...4	YC53	2203-000181	C-CERAMIC,CHIP;100nF,+80-20%,25V,Y5V,TP,
...4	SL04	3301-001324	CORE-FERRITE BEAD;AB,150HM,2X1.25X0.9MM,	...4	YC54	2203-000181	C-CERAMIC,CHIP;100nF,+80-20%,25V,Y5V,TP,
...4	SL05	3301-001324	CORE-FERRITE BEAD;AB,150HM,2X1.25X0.9MM,	...4	YC55	2203-000181	C-CERAMIC,CHIP;100nF,+80-20%,25V,Y5V,TP,
...4	SL06	3301-001324	CORE-FERRITE BEAD;AB,150HM,2X1.25X0.9MM,	...4	YC56	2203-000181	C-CERAMIC,CHIP;100nF,+80-20%,25V,Y5V,TP,
...4	SL08	3301-001324	CORE-FERRITE BEAD;AB,150HM,2X1.25X0.9MM,	...4	YC57	2401-001496	C-AL;47uF,20%,16V,GP,TP,5x7,5
...4	SL09	3301-001186	CORE-FERRITE BEAD;AB,600ohm,3.2x1.6x1.3m	...4	YC58	2203-000181	C-CERAMIC,CHIP;100nF,+80-20%,25V,Y5V,TP,
...4	SR01	2007-000074	R-CHIP;100ohm,5%,1/16W,DA,TP,1608	...4	YC59	2203-000181	C-CERAMIC,CHIP;100nF,+80-20%,25V,Y5V,TP,
...4	SR02	2007-000074	R-CHIP;100ohm,5%,1/16W,DA,TP,1608	...4	YC60	2203-000181	C-CERAMIC,CHIP;100nF,+80-20%,25V,Y5V,TP,
...4	SR03	2007-000074	R-CHIP;100ohm,5%,1/16W,DA,TP,1608	...4	YC62	2401-000598	C-AL;1uF,20%,50V,GP,TP,4x7,5
...4	SR04	2011-000585	R-NETWORK;47ohm,5%,63mW,L,CHIP,8P,TP	...4	YC63	2203-000236	C-CERAMIC,CHIP;0.1nF,5%,50V,NPO,TP,1608
...4	SR05	2011-000585	R-NETWORK;47ohm,5%,63mW,L,CHIP,8P,TP	...4	YC66	2203-000815	C-CERAMIC,CHIP;0.033nF,5%,50V,NPO,TP,160
...4	SR06	2011-000585	R-NETWORK;47ohm,5%,63mW,L,CHIP,8P,TP	...4	YD01	0403-000620	DIODE-ZENER;RL25.6B,5.6,500mW,LL-34,TP
...4	SR07	2011-000585	R-NETWORK;47ohm,5%,63mW,L,CHIP,8P,TP	...4	YD02	0403-000620	DIODE-ZENER;RL25.6B,5.6,500mW,LL-34,TP
...4	SR08	2007-000074	R-CHIP;100ohm,5%,1/16W,DA,TP,1608	...4	YD03	0403-001117	DIODE-ZENER;RL212B,5%,500mW,LL-34,TP
...4	SR09	2007-000074	R-CHIP;100ohm,5%,1/16W,DA,TP,1608	...4	YD04	0403-001117	DIODE-ZENER;RL212B,5%,500mW,LL-34,TP
...4	SR11	2007-000074	R-CHIP;100ohm,5%,1/16W,DA,TP,1608	...4	YD05	0403-001117	DIODE-ZENER;RL212B,5%,500mW,LL-34,TP
...4	SR12	2007-001056	R-CHIP;6.2Kohm,5%,1/16W,DA,TP,1608	...4	YF01	2901-001120	FILTER-EMI SMD;25V,100mA,-,-,3.2x1.6x1,T
...4	SR13	2007-0000402	R-CHIP;150ohm,5%,1/16W,DA,TP,1608	...4	YF02	2901-001120	FILTER-EMI SMD;25V,100mA,-,-,3.2x1.6x1,T
...4	SR14	2007-001167	R-CHIP;75ohm,5%,1/16W,DA,TP,1608	...4	YF03	2901-001120	FILTER-EMI SMD;25V,100mA,-,-,3.2x1.6x1,T
...4	SR15	2007-001167	R-CHIP;75ohm,5%,1/16W,DA,TP,1608	...4	YF04	2901-001120	FILTER-EMI SMD;25V,100mA,-,-,3.2x1.6x1,T
...4	SR16	2007-0000402	R-CHIP;150ohm,5%,1/16W,DA,TP,1608	...4	YF05	2901-001120	FILTER-EMI SMD;25V,100mA,-,-,3.2x1.6x1,T
...4	SR17	2007-001167	R-CHIP;75ohm,5%,1/16W,DA,TP,1608	...4	YL01	3301-001186	CORE-FERRITE BEAD;AB,600ohm,3.2x1.6x1.3m
...4	SR18	2007-001167	R-CHIP;75ohm,5%,1/16W,DA,TP,1608	...4	YL02	2702-000160	INDUCTOR-RADIAL;4.7uH,10%,6x6.4mm
...4	SR19	2007-000381	R-CHIP;13Kohm,5%,1/16W,DA,TP,1608	...4	YQ01	0501-000280	TR-SMALL SIGNAL;KSA1182,PNP,150mW,SOT-23
...4	SR21	2007-000402	R-CHIP;150ohm,5%,1/16W,DA,TP,1608	...4	YQ02	0501-000280	TR-SMALL SIGNAL;KSA1182,PNP,150mW,SOT-23
...4	SR22	2007-001167	R-CHIP;75ohm,5%,1/16W,DA,TP,1608	...4	YQ03	0501-000280	TR-SMALL SIGNAL;KSA1182,PNP,150mW,SOT-23
...4	SR23	2007-001167	R-CHIP;75ohm,5%,1/16W,DA,TP,1608	...4	YQ06	0501-000344	TR-SMALL SIGNAL;KSC1623-G,NPN,200mW,SOT-
...4	SR24	2007-000090	R-CHIP;10Kohm,5%,1/16W,DA,TP,1608	...4	YQ08	0501-000280	TR-SMALL SIGNAL;KSA1182,PNP,150mW,SOT-23
...4	SR25	2007-000401	R-CHIP;150OHM,5%,1/10W,DA,TP,2012	...4	YQ11	0501-000344	TR-SMALL SIGNAL;KSC1623-G,NPN,200mW,SOT-
...4	YC01	2203-002494	C-CERAMIC,CHIP;470nF,10%,16V,X7R,TP,2012	...4	YQ12	0501-000344	TR-SMALL SIGNAL;KSC1623-G,NPN,200mW,SOT-
...4	YC02	2203-002494	C-CERAMIC,CHIP;470nF,10%,16V,X7R,TP,2012	...4	YR05	2007-000074	R-CHIP;100ohm,5%,1/16W,DA,TP,1608
...4	YC03	2203-002494	C-CERAMIC,CHIP;470nF,10%,16V,X7R,TP,2012	...4	YR06	2007-000074	R-CHIP;100ohm,5%,1/16W,DA,TP,1608
...4	YC04	2203-002494	C-CERAMIC,CHIP;470nF,10%,16V,X7R,TP,2012	...4	YR07	2007-000074	R-CHIP;100ohm,5%,1/16W,DA,TP,1608
...4	YC05	2203-002494	C-CERAMIC,CHIP;470nF,10%,16V,X7R,TP,2012	...4	YR08	2007-000074	R-CHIP;100ohm,5%,1/16W,DA,TP,1608
...4	YC06	2203-002494	C-CERAMIC,CHIP;470nF,10%,16V,X7R,TP,2012	...4	YR09	2007-000074	R-CHIP;100ohm,5%,1/16W,DA,TP,1608
...4	YC07	2203-002494	C-CERAMIC,CHIP;470nF,10%,16V,X7R,TP,2012	...4	YR10	2007-000074	R-CHIP;100ohm,5%,1/16W,DA,TP,1608
...4	YC08	2203-002494	C-CERAMIC,CHIP;470nF,10%,16V,X7R,TP,2012	...4	YR100	2007-000074	R-CHIP;100ohm,5%,1/16W,DA,TP,1608
...4	YC09	2203-002494	C-CERAMIC,CHIP;470nF,10%,16V,X7R,TP,2012	...4	YR101	2007-000074	R-CHIP;100ohm,5%,1/16W,DA,TP,1608
...4	YC10	2203-002494	C-CERAMIC,CHIP;470nF,10%,16V,X7R,TP,2012	...4	YR102	2007-000074	R-CHIP;100ohm,5%,1/16W,DA,TP,1608
...4	YC11	2203-002494	C-CERAMIC,CHIP;470nF,10%,16V,X7R,TP,2012	...4	YR103	2007-000074	R-CHIP;100ohm,5%,1/16W,DA,TP,1608
...4	YC12	2203-002494	C-CERAMIC,CHIP;470nF,10%,16V,X7R,TP,2012	...4	YR104	2007-000074	R-CHIP;100ohm,5%,1/16W,DA,TP,1608
...4	YC13	2203-002494	C-CERAMIC,CHIP;470nF,10%,16V,X7R,TP,2012	...4	YR105	2007-000074	R-CHIP;100ohm,5%,1/16W,DA,TP,1608
...4	YC14	2203-002494	C-CERAMIC,CHIP;470nF,10%,16V,X7R,TP,2012	...4	YR11	2007-000074	R-CHIP;100ohm,5%,1/16W,DA,TP,1608
...4	YC15	2203-002494	C-CERAMIC,CHIP;470nF,10%,16V,X7R,TP,2012	...4	YR12	2007-000074	R-CHIP;100ohm,5%,1/16W,DA,TP,1608
...4	YC16	2203-002494	C-CERAMIC,CHIP;470nF,10%,16V,X7R,TP,2012	...4	YR14	2007-000077	R-CHIP;470ohm,5%,1/16W,DA,TP,1608
...4	YC17	2203-002494	C-CERAMIC,CHIP;470nF,10%,16V,X7R,TP,2012	...4	YR15	2007-000939	R-CHIP;47Kohm,1%,1/16W,DA,TP,1608
...4	YC18	2203-002494	C-CERAMIC,CHIP;470nF,10%,16V,X7R,TP,2012	...4	YR18	2007-000074	R-CHIP;100ohm,5%,1/16W,DA,TP,1608
...4	YC19	2203-002494	C-CERAMIC,CHIP;470nF,10%,16V,X7R,TP,2012	...4	YR23	2007-000078	R-CHIP;1Kohm,5%,1/16W,DA,TP,1608
...4	YC20	2203-002494	C-CERAMIC,CHIP;470nF,10%,16V,X7R,TP,2012	...4	YR24	2007-000078	R-CHIP;1Kohm,5%,1/16W,DA,TP,1608
...4	YC21	2401-001496	C-AL;47uF,20%,16V,GP,TP,5x7,5	...4	YR25	2007-000074	R-CHIP;100ohm,5%,1/16W,DA,TP,1608
...4	YC22	2203-000181	C-CERAMIC,CHIP;100nF,+80-20%,25V,Y5V,TP,	...4	YR26	2007-000074	R-CHIP;100ohm,5%,1/16W,DA,TP,1608
...4	YC23	2203-000257	C-CERAMIC,CHIP;10nF,10%,50V,X7R,TP,1608	...4	YR27	2007-000074	R-CHIP;100ohm,5%,1/16W,DA,TP,1608

Loc. No.	Code No.	Description ; Specification	Remark	Loc. No.	Code No.	Description ; Specification	Remark	
....4	YR28	2007-000074	R-CHIP;100ohm,5%,1/16W,DA,TP,1608	....4	CD634	2203-000332	C-CERAMIC,CHIP;0.012nF,5%,50V,NP0,TP,160	
....4	YR29	2007-000210	R-CHIP;1.1KOHM,5%,1/10W,DA,TP,2012	....4	CD635	2203-001071	C-CERAMIC,CHIP;0.056nF,5%,50V,NP0,TP,160	
....4	YR30	2007-000074	R-CHIP;100ohm,5%,1/16W,DA,TP,1608	....4	CD636	2203-001071	C-CERAMIC,CHIP;0.056nF,5%,50V,NP0,TP,160	
....4	YR31	2007-000210	R-CHIP;1.1KOHM,5%,1/10W,DA,TP,2012	....4	CD637	2203-001071	C-CERAMIC,CHIP;0.056nF,5%,50V,NP0,TP,160	
....4	YR32	2007-000074	R-CHIP;100ohm,5%,1/16W,DA,TP,1608	....4	CD638	2203-000236	C-CERAMIC,CHIP;0.1nF,5%,50V,NP0,TP,1608	
....4	YR33	2007-000210	R-CHIP;1.1KOHM,5%,1/10W,DA,TP,2012	....4	CD639	2401-000302	C-AL;100uF,20%,25V,GP,TP,6.3x11,5	
....4	YR40	2007-000691	R-CHIP;3.3Mohm,5%,1/16W,DA,TP,1608	....4	CD640	2203-000181	C-CERAMIC,CHIP;100nF,+80-20%,25V,Y5V,TP	
....4	YR41	2007-000074	R-CHIP;100ohm,5%,1/16W,DA,TP,1608	....4	CD641	2401-002009	C-AL;100uF,20%,16V,GP,TP,6.3x7,5	
....4	YR43	2007-000799	R-CHIP;360ohm,5%,1/16W,DA,TP,1608	....4	CD642	2203-000140	C-CERAMIC,CHIP;1.5nF,10%,50V,X7R,TP,1608	
....4	YR44	2007-000799	R-CHIP;360ohm,5%,1/16W,DA,TP,1608	....4	CD643	2203-000140	C-CERAMIC,CHIP;1.5nF,10%,50V,X7R,TP,1608	
....4	YR45	2007-000799	R-CHIP;360ohm,5%,1/16W,DA,TP,1608	....4	CD648	2203-000440	C-CERAMIC,CHIP;1nF,10%,50V,X7R,TP,1608,-	
....4	YR46	2007-000074	R-CHIP;100ohm,5%,1/16W,DA,TP,1608	....4	CD649	2203-000440	C-CERAMIC,CHIP;1nF,10%,50V,X7R,TP,1608,-	
....4	YR47	2007-000074	R-CHIP;100ohm,5%,1/16W,DA,TP,1608	....4	CD650	2401-001250	C-AL;4.7uF,20%,35V,GP,TP,4x5,5	
....4	YR48	2007-000074	R-CHIP;100ohm,5%,1/16W,DA,TP,1608	....4	CD652	2401-001250	C-AL;4.7uF,20%,35V,GP,TP,4x5,5	
....4	YR50	2007-000080	R-CHIP;2Kohm,5%,1/16W,DA,TP,1608	....4	CD653	2401-000922	C-AL;22uF,20%,16V,GP,TP,5x5,5	
....4	YR51	2007-000074	R-CHIP;100ohm,5%,1/16W,DA,TP,1608	....4	CD654	2401-000922	C-AL;22uF,20%,16V,GP,TP,5x5,5	
....4	YR53	2007-000074	R-CHIP;100ohm,5%,1/16W,DA,TP,1608	....4	CD660	2401-000922	C-AL;22uF,20%,16V,GP,TP,5x5,5	
....4	YR56	2007-000074	R-CHIP;100ohm,5%,1/16W,DA,TP,1608	....4	CD662	2203-000181	C-CERAMIC,CHIP;100nF,+80-20%,25V,Y5V,TP	
....4	YR59	2007-000090	R-CHIP;10Kohm,5%,1/16W,DA,TP,1608	....4	CD670	2203-000236	C-CERAMIC,CHIP;0.1nF,5%,50V,NP0,TP,1608	
....4	YR60	2007-000074	R-CHIP;100ohm,5%,1/16W,DA,TP,1608	....4	ICD601	1204-001631	IC-SOUND PROCESSOR;MSP3450G,QFP;80P,-,PL	
....4	YR61	2007-000097	R-CHIP;47Kohm,5%,1/16W,DA,TP,1608	....4	ICD602	1201-000541	IC-OP AMP;062,SOP;8P;153MIL,DUAL,6V/mV,P	
....4	YR62	2007-000078	R-CHIP;1Kohm,5%,1/16W,DA,TP,1608	....4	LD601	2701-001032	INDUCTOR-AXIAL;100uH,10%,5x14mm	
....4	YR63	2007-000074	R-CHIP;100ohm,5%,1/16W,DA,TP,1608	....4	LD602	2701-001032	INDUCTOR-AXIAL;100uH,10%,5x14mm	
....4	YR64	2007-000074	R-CHIP;100ohm,5%,1/16W,DA,TP,1608	....4	LD603	2701-001032	INDUCTOR-AXIAL;100uH,10%,5x14mm	
....4	YR65	2007-000583	R-CHIP;22Kohm,1%,1/16W,DA,TP,1608	....4	PCB	AA41-00335A	PCB-SOUND;PCL545R,FR-4,2L,A,1.6T,180X245	
....4	YR77	2007-000210	R-CHIP;1.1KOHM,5%,1/10W,DA,TP,2012	....4	RD601	2007-000078	R-CHIP;1Kohm,5%,1/16W,DA,TP,1608	
....4	YR78	2007-000210	R-CHIP;1.1KOHM,5%,1/10W,DA,TP,2012	....4	RD602	2007-000078	R-CHIP;1Kohm,5%,1/16W,DA,TP,1608	
....4	YR79	2007-000210	R-CHIP;1.1KOHM,5%,1/10W,DA,TP,2012	....4	RD603	2007-000078	R-CHIP;1Kohm,5%,1/16W,DA,TP,1608	
....4	YR83	2007-000074	R-CHIP;100ohm,5%,1/16W,DA,TP,1608	....4	RD604	2007-000078	R-CHIP;1Kohm,5%,1/16W,DA,TP,1608	
....4	YR85	2007-000074	R-CHIP;100ohm,5%,1/16W,DA,TP,1608	....4	RD605	2007-000078	R-CHIP;1Kohm,5%,1/16W,DA,TP,1608	
....4	YR86	2007-000074	R-CHIP;100ohm,5%,1/16W,DA,TP,1608	....4	RD606	2007-000078	R-CHIP;1Kohm,5%,1/16W,DA,TP,1608	
....4	YR88	2007-000078	R-CHIP;1Kohm,5%,1/16W,DA,TP,1608	....4	RD607	2007-000078	R-CHIP;1Kohm,5%,1/16W,DA,TP,1608	
....4	YR89	2007-000078	R-CHIP;1Kohm,5%,1/16W,DA,TP,1608	....4	RD608	2007-000078	R-CHIP;1Kohm,5%,1/16W,DA,TP,1608	
....4	YR90	2007-000074	R-CHIP;100ohm,5%,1/16W,DA,TP,1608	....4	RD609	2007-000078	R-CHIP;1Kohm,5%,1/16W,DA,TP,1608	
....4	YR91	2007-000074	R-CHIP;100ohm,5%,1/16W,DA,TP,1608	....4	RD610	2007-000074	R-CHIP;100ohm,5%,1/16W,DA,TP,1608	
....4	YR92	2007-000074	R-CHIP;100ohm,5%,1/16W,DA,TP,1608	....4	RD611	2007-000074	R-CHIP;100ohm,5%,1/16W,DA,TP,1608	
....4	YR98	2007-000084	R-CHIP;4.7Kohm,5%,1/16W,DA,TP,1608	....4	RD613	2007-000084	R-CHIP;4.7Kohm,5%,1/16W,DA,TP,1608	
....4	YR99	2007-000075	R-CHIP;220ohm,5%,1/16W,DA,TP,1608	....4	RD614	2007-000074	R-CHIP;100ohm,5%,1/16W,DA,TP,1608	
....3	0202-001167	SOLDER-CREAM;RX3603-2330HO,S45A,PASTE,SN		....4	RD615	2007-000074	R-CHIP;100ohm,5%,1/16W,DA,TP,1608	
....2	AA95-01103A	ASSY-PCB,SOUND;PCL5415R,P54A		....4	RD616	2007-000078	R-CHIP;1Kohm,5%,1/16W,DA,TP,1608	
....3	CN601	3703-001175	CONNECTOR-DIN;64P,2R,MALE,ANGLE,AU	....4	RD617	2007-000078	R-CHIP;1Kohm,5%,1/16W,DA,TP,1608	
....3	XD601	2801-000186	CRYSTAL-UNIT;18.432MHz,25ppm,28-AAAM,8pF	....4	RD618	2007-000084	R-CHIP;4.7Kohm,5%,1/16W,DA,TP,1608	
....3	0202-001167	SOLDER-CREAM;RX3603-2330HO,S45A,PASTE,SN		....4	RD619	2007-001179	R-CHIP;8.2Kohm,5%,1/16W,DA,TP,1608	
....3	0202-000187	SOLDER-WIRE FLUX;-RS60S,D1.2,63Sn/37Pb		....4	RD620	2007-000134	R-CHIP;33Kohm,5%,1/16W,DA,TP,1608	
....3	AA99-20091S	ASSY-PCB SUB,AUTO; AA95-01103A /V	S.N.A	....4	RD621	2007-001010	R-CHIP;51Kohm,5%,1/16W,DA,TP,1608	
....4	CD601	2401-000444	C-AL;10uF,20%,25V,GP,TP,5x5mm,5mm	....4	RD622	2007-000329	R-CHIP;11Kohm,5%,1/16W,DA,TP,1608	
....4	CD602	2203-000181	C-CERAMIC,CHIP;100nF,+80-20%,25V,Y5V,TP	....4	RD623	2007-000329	R-CHIP;11Kohm,5%,1/16W,DA,TP,1608	
....4	CD603	2401-001250	C-AL;4.7uF,20%,35V,GP,TP,4x5,5	....4	RD624	2007-001010	R-CHIP;51Kohm,5%,1/16W,DA,TP,1608	
....4	CD604	2401-000486	C-AL;10uF,20%,50V,GP,TP,6.3x7mm,5	....4	RD625	2007-001179	R-CHIP;8.2Kohm,5%,1/16W,DA,TP,1608	
....4	CD605	2401-001250	C-AL;4.7uF,20%,35V,GP,TP,4x5,5	....4	RD626	2007-000134	R-CHIP;33Kohm,5%,1/16W,DA,TP,1608	
....4	CD606	2203-000181	C-CERAMIC,CHIP;100nF,+80-20%,25V,Y5V,TP	....4	RD627	2007-000084	R-CHIP;4.7Kohm,5%,1/16W,DA,TP,1608	
....4	CD607	2401-001250	C-AL;4.7uF,20%,35V,GP,TP,4x5,5	....4	RD628	2007-000078	R-CHIP;1Kohm,5%,1/16W,DA,TP,1608	
....4	CD608	2401-001250	C-AL;4.7uF,20%,35V,GP,TP,4x5,5	....4	RD629	2007-000078	R-CHIP;1Kohm,5%,1/16W,DA,TP,1608	
....4	CD609	2401-001250	C-AL;4.7uF,20%,35V,GP,TP,4x5,5	....4	RD638	2007-000078	R-CHIP;1Kohm,5%,1/16W,DA,TP,1608	
....4	CD610	2401-001250	C-AL;4.7uF,20%,35V,GP,TP,4x5,5	....2	AA90-00136N	ASSY-PACKING,PCB;J51A NO-T/BOARD,PJT	S.N.A	
....4	CD611	2401-001250	C-AL;4.7uF,20%,35V,GP,TP,4x5,5	....3	CHASIS	AA61-30009A	LOCKER-BAND,CLIP;-,SPC-1,-,-,18MM TO.5,-	S.N.A
....4	CD612	2401-001250	C-AL;4.7uF,20%,35V,GP,TP,4x5,5	....2	AA90-00770A	ASSY CHASSIS PART;P54A SEA,62J9	S.N.A	
....4	CD613	2203-000181	C-CERAMIC,CHIP;100nF,+80-20%,25V,Y5V,TP	....3	PM+HC	6003-001023	SCREW-TAPTITE;RW,H+,B,M3,L10,ZPC(YEL),SW	
....4	CD614	2401-000486	C-AL;10uF,20%,50V,GP,TP,6.3x7mm,5	....3	PP+HC	6003-001023	SCREW-TAPTITE;RW,H+,B,M3,L10,ZPC(YEL),SW	
....4	CD616	2401-000486	C-AL;10uF,20%,50V,GP,TP,6.3x7mm,5	....3	PS+HC	6003-001023	SCREW-TAPTITE;RW,H+,B,M3,L10,ZPC(YEL),SW	
....4	CD617	2203-001211	C-CERAMIC,CHIP;8.2nF,10%,50V,X7R,TP,1608	....3	AA61-00504B	HOLDER-CHASSIS;43,54,62J8,ABS,GRAY,VO,-,		
....4	CD618	2203-001211	C-CERAMIC,CHIP;8.2nF,10%,50V,X7R,TP,1608	....2	AA95-00799A	ASSY PCB POWER;PCL545R,P54A,53		
....4	CD619	2203-001211	C-CERAMIC,CHIP;8.2nF,10%,50V,X7R,TP,1608	....3	C812	2401-000701	C-AL;2200uF,20%,250V,GP,-,35x70mm,1	
....4	CD620	2203-001211	C-CERAMIC,CHIP;8.2nF,10%,50V,X7R,TP,1608	....3	C813	2401-000701	C-AL;2200uF,20%,250V,GP,-,35x70mm,1	
....4	CD621	2401-000922	C-AL;22uF,20%,16V,GP,TP,5x5,5	....3	C831	2306-000323	C-FILM,MPPF;2.2nF,5%,1.6KV,TP,28.5x15.5x	
....4	CD622	2401-000922	C-AL;22uF,20%,16V,GP,TP,5x5,5	....3	C862	2401-003076	C-AL;3300uF,20%,50V,WPBK,18x35,5mm	
....4	CD623	2401-000922	C-AL;22uF,20%,16V,GP,TP,5x5,5	....3	C865	2401-000737	C-AL;2200uF,20%,50V,GP,TP,18x35,5,7	
....4	CD624	2401-000922	C-AL;22uF,20%,16V,GP,TP,5x5,5	....3	C868	2401-000737	C-AL;2200uF,20%,50V,GP,TP,18x35,5,7	
....4	CD625	2401-000922	C-AL;22uF,20%,16V,GP,TP,5x5,5	....3	C875	2401-002251	C-AL;470uF,20%,200V,GP,BK,25x40mm,1	
....4	CD626	2401-000426	C-AL;10uF,20%,16V,GP,TP,3.5x5,5	....3	CN802	AA39-00116A	LEAD CONNECTOR-ASSY;12P,YBNH250-12,3515	
....4	CD627	2401-000922	C-AL;22uF,20%,16V,GP,TP,5x5,5	....3	CN803	AA39-00116A	LEAD CONNECTOR-ASSY;12P,YBNH250-12,3515	
....4	CD628	2401-000922	C-AL;22uF,20%,16V,GP,TP,5x5,5	△	CX801S	2306-000112	C-FILM,MPPF;100nF,20%,250V,BK,-,15mm	
....4	CD629	2203-005590	C-CERAMIC,CHIP;330nF,10%,16V,X7R,TP,2012	△	CX802S	2306-000112	C-FILM,MPPF;100nF,20%,250V,BK,-,15mm	
....4	CD630	2401-000426	C-AL;10uF,20%,16V,GP,TP,3.5x5,5	△	CY801S	2201-000987	C-CERAMIC,DISC;2.2nF,20%,400V,Y5U,TP,12.	
....4	CD631	2203-000181	C-CERAMIC,CHIP;100nF,+80-20%,25V,Y5V,TP	△	CY802S	2201-000987	C-CERAMIC,DISC;2.2nF,20%,400V,Y5U,TP,12.	
....4	CD632	2401-000444	C-AL;10uF,20%,25V,GP,TP,5x5mm,5mm	△	D801S	AA96-50310A	ASSY-H/S;-;POWER,AA62-30150C,RBV606,-	
....4	CD633	2203-000332	C-CERAMIC,CHIP;0.012nF,5%,50V,NP0,TP,160	....4	AA62-30150C	HEAT SINK-ES;-;A6063 EXTR,-,WHT,40(24.5)		

Loc. No.	Code No.	Description ; Specification	Remark	Loc. No.	Code No.	Description ; Specification	Remark
...4	AA60-30003A	WASHER;-;-;T1.5,-SBHG-1,-		...4	L808	3301-000287	CORE-FERRITE BEAD;AA,3.5x1.0x6.0mm,1500,
...4	6003-000333	SCREW-TAPTITE;RH,+2S,M3,L10,ZPC(YEL),SW		...4	L810	2901-000297	FILTER-EMI ON BOARD;-;3A,-;-;3.5x5,TP-
...4	0402-000549	DIODE-BRIDGE;RBV606,600V,6A,-,BK		...4	L811	2901-000297	FILTER-EMI ON BOARD;-;3A,-;-;3.5x5,TP-
...4	0205-000129	GREASE-SILICON;SC102,JAPAN		...4	L812	2901-000297	FILTER-EMI ON BOARD;-;3A,-;-;3.5x5,TP-
△	...3 D810	0402-000250	DIODE-RECTIFIER;RG4C,1000V,1A,-	...4	L813	2901-000297	FILTER-EMI ON BOARD;-;3A,-;-;3.5x5,TP-
△	...3 D854	AA96-50153C	ASSY-H/S;-;-;AA62-30013D,FLM-G12S,-	...4	L814	3301-000287	CORE-FERRITE BEAD;AA,3.5x1.0x6.0mm,1500,
...4	0402-000233	DIODE-RECTIFIER;FML-G12S,200V,5A,-,-		...4	L815	2901-000297	FILTER-EMI ON BOARD;-;3A,-;-;3.5x5,TP-
...4	6003-000333	SCREW-TAPTITE;RH,+2S,M3,L10,ZPC(YEL),SW		...4	L816	2901-000297	FILTER-EMI ON BOARD;-;3A,-;-;3.5x5,TP-
...4	AA62-30013D	HEAT SINK-ES;-;A6063 EXTR,-;55(21) T02		...4	L831	3301-000287	CORE-FERRITE BEAD;AA,3.5x1.0x6.0mm,1500,
△	...3 D855	AA96-50153C	ASSY-H/S;-;-;AA62-30013D,FLM-G12S,-	...4	L832	3301-000287	CORE-FERRITE BEAD;AA,3.5x1.0x6.0mm,1500,
△	...3 D856	AA96-50153C	ASSY-H/S;-;-;AA62-30013D,FLM-G12S,-	...4	L851	2901-000297	FILTER-EMI ON BOARD;-;3A,-;-;3.5x5,TP-
△	...3 D857	AA96-50153C	ASSY-H/S;-;-;AA62-30013D,FLM-G12S,-	...4	L857	2901-000297	FILTER-EMI ON BOARD;-;3A,-;-;3.5x5,TP-
△	...3 D858	AA96-50153C	ASSY-H/S;-;-;AA62-30013D,FLM-G12S,-	...4	L859	2901-000297	FILTER-EMI ON BOARD;-;3A,-;-;3.5x5,TP-
△	...3 D859	AA96-50153A	ASSY-H/S;-;-;TR,AA62-30013D,FMG-26S,-	...4	Q801	0501-000389	TR-SMALL SIGNAL;KSC815,NPN,400mW,TO-92,T
...4	0402-000231	DIODE-RECTIFIER;FMG-G26S,600V,4A,TO-220F		...4	R808	2001-000085	R-CARBON(S);100KOHM,5%,1/2W,AA,TP,2.4X6,
...4	6003-000333	SCREW-TAPTITE;RH,+2S,M3,L10,ZPC(YEL),SW		...4	R808A	2001-000085	R-CARBON(S);100KOHM,5%,1/2W,AA,TP,2.4X6,
...4	AA62-30013D	HEAT SINK-ES;-;A6063 EXTR,-;55(21) T02		...4	R812	2003-002170	R-METAL OXIDE(S);15Kohm,5%,2W,AG,TP,3.9x
△	...3 FD802S	3601-000300	FUSE-CARTRIDGE;250V,6.3A,SLOW-BLOW,GLASS	...4	R814	2003-002170	R-METAL OXIDE(S);15Kohm,5%,2W,AG,TP,3.9x
△	...3 FD804S	3601-000300	FUSE-CARTRIDGE;250V,6.3A,SLOW-BLOW,GLASS	...4	R815	2003-000512	R-METAL OXIDE(S);15Kohm,5%,3W,AA,TP,6x16
△	...3 FD855S	3601-000300	FUSE-CARTRIDGE;250V,6.3A,SLOW-BLOW,GLASS	...4	R815A	2003-000512	R-METAL OXIDE(S);15Kohm,5%,3W,AA,TP,6x16
△	...3 FP801S	3601-000300	FUSE-CARTRIDGE;250V,6.3A,SLOW-BLOW,GLASS	...4	R832	2001-001178	R-CARBON(S);680OHM,5%,1/2W,AA,TP,2.4X6.4
△	...3 IC801S	AA96-00035A	ASSY-H/S;-;-;POWER,AA62-30181P,STR-F6656,	...4	R834	2001-001097	R-CARBON(S);2.4KOHM,5%,1/2W,AA,TP,2.4X6,
...4	0205-000129	GREASE-SILICON;SC102,JAPAN		...4	R837	2001-001097	R-CARBON(S);2.4KOHM,5%,1/2W,AA,TP,2.4X6,
...4	6003-000333	SCREW-TAPTITE;RH,+2S,M3,L10,ZPC(YEL),SW		...4	R838	2001-001097	R-CARBON(S);2.4KOHM,5%,1/2W,AA,TP,2.4X6,
...4	AA13-00018A	IC-HYBRID;-;STR-F6656,LF1351,5PIN,-,-		...4	R855	2001-001196	R-CARBON(S);9.1KOHM,5%,1/2W,AA,TP,2.4X6,
...4	AA62-30181P	HEAT-SINK ES;-;-;T1.0,WHITE,SCREW-HOLE 2		...4	R871	2001-001088	R-CARBON(S);1KOHM,5%,1/2W,AA,TP,2.4X6.4M
△	...3 IC804	1203-001400	IC-POWER PRESCALER;SE110N,TO-220(SIP),3P	...4	R872	2001-000066	R-CARBON(S);10KOHM,5%,1/2W,AA,TP,2.4X6.4
△	...3 LX801S	AA29-30002L	FILTER-LINE NOISE;-;10mHMIN,5A,AC90-260V	...4	R873	2004-004366	R-METAL(S);1.3Kohm,1%,1/2W,AA,TP,2.5x6.5
△	...3 LX802S	AA29-30002M	FILTER-LINE NOISE;-;1mHMIN,5A,AC90-260V,	...4	R874	2001-000734	R-CARBON;4.7KOHM,5%,1/8W,AA,TP,1.8X3.2M
△	...3 LX803S	AA29-30002M	FILTER-LINE NOISE;-;1mHMIN,5A,AC90-260V,	...4	R875	2004-004366	R-METAL(S);1.3Kohm,1%,1/2W,AA,TP,2.5x6.5
△	...3 NT801S	1404-001195	THERMISTOR-NTC;5.1ohm,15%,2900,27mW/C,BK	△	...4 RP801S	2002-001010	R-COMPOSITION;1.8Mohm,5%,1/2W,AA,TP,3.7x
△	...3 PC801S	0604-001032	PHOTO-COUPLER;TR,170-260%,300mW,DIP-4,ST	△	...4 RX801S	2002-001011	R-COMPOSITION;3.3Mohm,5%,1/2W,AA,TP,3.7x
...3	PCB	AA41-00342A	PCB-POWER;PCL545R,CEM-1,1L,A,1.6T,330X24	△	...4 RY801S	2002-001013	R-COMPOSITION;4.7Mohm,5%,1/2W,AA,TP,3.7x
...3	R817	2009-001096	R-METAL PLATE;0.07ohm,5%,5W,CL,BK,5x14x1	△	...4 VP801S	1405-000152	VARISTOR;560V,2500A,14x8.5mm,TP
...3	R841	2008-001096	R-FUSIBLE(S);3.3OHM,5%,1/2W,AC,BK,2.5X6,	△	...4 VX801S	1405-000187	VARISTOR;750V,1250A,12.5x7mm,TP
△	...3 T801S	AA26-00099A	TRANS SWITCHING;EER5345,PCL544R,AC220V,1	△	...2	AA94-03388C	ASSY PCB MAIN(OPT);PCL5415R3C/XAA,P54A,U
...3	0202-000187	SOLDER-WIRE FLUX;-;RS60S,D1,2.63Sn/37Pb		...3	C664	2401-001068	C-AL;3300uF,20%,50V,GP,BK,22x40,10
...3	AA99-20081T	ASSY-PCB SUB,AUTO; AA95-00799A ,V	S.N.A	...3	C665	2401-000737	C-AL;2200uF,20%,50V,GP,TP,18x35,5,7
...4	C809	2201-000551	C-CERAMIC,DISC;0.47nF,10%,1kV,Y5P,TP,6.3	...3	CG-BOT	AA63-00397B	SHIELD CASE-BOT;PRJT,P54A,SPT,TO.5,SOUN
...4	C814	2201-002041	C-CERAMIC,DISC;0.82nF,10%,2kV,Y5P,TP,9x5	...3	CG-TOP	AA63-00396B	SHIELD CASE-TOP;PRJT,P54A,SPT,TO.5,SOUN
...4	C815	2201-000406	C-CERAMIC,DISC;0.27nF,10%,2kV,Y5P,TP,6.3	...3	CN01	3703-001150	CONNECTOR-DIN;32P,2R,FEMALE,STRAIGHT,AUF
...4	C816	2201-000332	C-CERAMIC,DISC;2.2nF,20%,250V,Y5U,TP,9x4	...3	CN02	3703-001150	CONNECTOR-DIN;32P,2R,FEMALE,STRAIGHT,AUF
...4	C817	2201-000332	C-CERAMIC,DISC;2.2nF,20%,250V,Y5U,TP,9x4	...3	CNM01	3703-001187	CONNECTOR-DIN;64P,2R,FEMALE,STRAIGHT,AU
...4	C818	2301-001216	C-FILM,PPF;47nF,5%,630V,TP,20x14.5x22,7,	...3	CNS01	3703-001187	CONNECTOR-DIN;64P,2R,FEMALE,STRAIGHT,AU
...4	C819	2201-000332	C-CERAMIC,DISC;2.2nF,20%,250V,Y5U,TP,9x4	...3	CNT01	3710-001208	CONNECTOR-SOCKET;32P,2R,2.54mm,STRAIGHT,
...4	C833	2201-000292	C-CERAMIC,DISC;1nF,10%,50V,Y5P,TP,5x3.5,	...3	CNT02	3710-001208	CONNECTOR-SOCKET;32P,2R,2.54mm,STRAIGHT,
...4	C834	2401-003028	C-AL;100uF,20%,25V,WV,TP,6.3x11.5	...3	CNZ01	3703-001150	CONNECTOR-DIN;32P,2R,FEMALE,STRAIGHT,AUF
...4	C851	2201-000551	C-CERAMIC,DISC;0.47nF,10%,1kV,Y5P,TP,6.3	...3	DW-BOT	AA63-00395B	SHIELD CASE-BOT;PRJT,P54A,SPT,TO.5,D/W
...4	C852	2401-000133	C-AL;1000uF,20%,16V,GP,TP,10x20,5	...3	DW-TOP	AA63-00394B	SHIELD CASE-TOP;PRJT,P54A,SPT,TO.5,D/W
...4	C853	2401-000603	C-AL;1uF,20%,50V,GP,TP,5x11,5	...3	IC102	AA96-00110C	ASSY-H/S;-;-;AA62-30013K,SI-3090C,-
...4	C854	2201-000551	C-CERAMIC,DISC;0.47nF,10%,1kV,Y5P,TP,6.3	...4	1203-000577	IC-VOLTAGE REGULATOR;3090,ZIP,5P,-,PLASTI	
...4	C855	2401-000703	C-AL;2200uF,20%,25V,GP,-;12.5x25mm,	...4	6003-000333	SCREW-TAPTITE;RH,+2S,M3,L10,ZPC(YEL),SW	
...4	C861	2201-000551	C-CERAMIC,DISC;0.47nF,10%,1kV,Y5P,TP,6.3	...4	AA62-30013K	HEATSINK-ES;-;-;44/18,-,WHT,A6063 EX	
...4	C864	2201-000551	C-CERAMIC,DISC;0.47nF,10%,1kV,Y5P,TP,6.3	...3	IC104	AA96-00110A	ASSY-H/S;-;-;AA62-30013K,SI-3050C,-
...4	C871	2201-000551	C-CERAMIC,DISC;0.47nF,10%,1kV,Y5P,TP,6.3	...4	1203-000203	IC-POS,ADJUST REG.;3050,TO-220,5P,-,PLA	
...4	C872	2401-000703	C-AL;2200uF,20%,25V,GP,-;12.5x25mm,	...4	6003-000333	SCREW-TAPTITE;RH,+2S,M3,L10,ZPC(YEL),SW	
...4	C874	2201-000551	C-CERAMIC,DISC;0.47nF,10%,1kV,Y5P,TP,6.3	...4	AA62-30013K	HEATSINK-ES;-;-;44/18,-,WHT,A6063 EX	
...4	C877	2305-000427	C-FILM,MPEF;47nF,5%,100V,TP,7.5x12.5x3.5	...3	IC106	AA96-00110A	ASSY-H/S;-;-;AA62-30013K,SI-3050C,-
△	...4 D834	0402-000546	DIODE-RECTIFIER;TVR10G,400V,1.0A,DO-41,T	...3	IC655	AA96-00038A	ASSY-H/S;-;-;SOUND AMP,AA62-30173E,TDA726
△	...4 D843	0402-000546	DIODE-RECTIFIER;TVR10G,400V,1.0A,DO-41,T	...4	0205-000129	GREASE-SILICON;SC102,JAPAN	
△	...4 D851	0402-000493	DIODE-RECTIFIER;1R5GU41,400V,1.5A,DO-15L	...4	1201-001026	IC-POWER AMP;7265,ZIP,1P,19.6MIL,DUAL,1	
△	...4 D853	0402-000132	DIODE-RECTIFIER;1N4004,400V,1A,DO-41,TP	...4	6003-000333	SCREW-TAPTITE;RH,+2S,M3,L10,ZPC(YEL),SW	
...4	DZ858	0403-001325	DIODE-ZENER;MTZJ15C,14.35-15.09V,500mW,D	...4	AA62-30173E	HEAT-SINK ES;-;-;T1.0,WHITE,SCREW-HOLE 1	
...4	F801A	3602-000114	FUSE-HOLDER;-;-;30mohm	...3	ICZ101	AA96-00110A	ASSY-H/S;-;-;AA62-30013K,SI-3050C,-
...4	F801B	3602-000114	FUSE-HOLDER;-;-;30mohm	...3	ICZ102	1203-000121	IC-NEGA FIXED REG.;7906,TO-220,3P,-,PLAS
...4	F802A	3602-000114	FUSE-HOLDER;-;-;30mohm	...3	L601	AA29-00004A	FILTER-LINE NOISE;-;20UH,3A,AC80-260V,TQ
...4	F802B	3602-000114	FUSE-HOLDER;-;-;30mohm	...3	L602	AA27-10001C	COIL-CHOK;-;100uH,K,-;5.0A,ST,700UH-K R
...4	F804A	3602-000114	FUSE-HOLDER;-;-;30mohm	...3	MI-BOT	AA63-00397B	SHIELD CASE-BOT;PRJT,P54A,SPT,TO.5,SOUN
...4	F804B	3602-000114	FUSE-HOLDER;-;-;30mohm	...3	MI-TOP	AA63-00396B	SHIELD CASE-TOP;PRJT,P54A,SPT,TO.5,SOUN
...4	F855A	3602-000114	FUSE-HOLDER;-;-;30mohm	...3	SO-BOT	AA63-00397B	SHIELD CASE-BOT;PRJT,P54A,SPT,TO.5,SOUN
...4	F855B	3602-000114	FUSE-HOLDER;-;-;30mohm	...3	SO-TOP	AA63-00396B	SHIELD CASE-TOP;PRJT,P54A,SPT,TO.5,SOUN
△	...4 FD805S	3601-001086	FUSE-AXIAL LEAD;125V,5A,FAST-ACTING,GLAS	△	...3 TU103S	AA59-00164A	MODULE-RF,SPLITTER;-;UMX-NT-005,-;2IN/3O
△	...4 FD806S	3601-001065	FUSE-AXIAL LEAD;125V,3.5A,FAST-ACTING,CE	...3	0202-000187	SOLDER-WIRE FLUX;-;RS60S,D1,2.63Sn/37Pb	
△	...4 FD854S	3601-001086	FUSE-AXIAL LEAD;125V,5A,FAST-ACTING,GLAS	...3	AA65-30105B	CLAMP-WIRE;NYLON 66,V2,NTR,25MM,ALL MODE	
△	...4 FD871S	3601-001086	FUSE-AXIAL LEAD;125V,5A,FAST-ACTING,GLAS	...3	3301-001201	CORE-FERRITE;AE,21x11x32mm,1500,280G	
...4	L806	2901-000297	FILTER-EMI ON BOARD;-;3A,-;-;3.5x5,TP-	...3	AA39-20010F	LEAD CONNECTOR-ASSY;-;1PYFH800-01,S,700,	
...4	L807	2901-000297	FILTER-EMI ON BOARD;-;3A,-;-;3.5x5,TP-	...3	AA99-30217J	ASSY-PCB ROBOT; AA94-03388C ,ER	S.N.A

Loc. No.	Code No.	Description ; Specification	Remark	Loc. No.	Code No.	Description ; Specification	Remark	
....4	CN201	3711-003974	CONNECTOR-HEADER;BOX,12P,1R,2.5mm,STRAIG	....5	C903	2201-000119	C-CERAMIC,DISC;100nF,+80-20%,50V,Y5V,TP,	
....4	CN501	3711-003051	CONNECTOR-HEADER;BOX,8P,1R,2.5mm,STRAIGHT	....5	CN101	3711-002642	CONNECTOR-HEADER;BOX,3P,1R,2.5MM,STRAIGH	
....4	CN801	3711-003975	CONNECTOR-HEADER;BOX,14P,1R,2.5mm,STRAIG	....5	CN601	3711-002643	CONNECTOR-HEADER;BOX,4P,1R,2.5MM,STRAIGH	
....4	CN901	3711-003973	CONNECTOR-HEADER;BOX,11P,1R,2.5mm,STRAIG	....5	CN902	3711-002642	CONNECTOR-HEADER;BOX,3P,1R,2.5MM,STRAIGH	
....4	CNZ02	3711-003052	CONNECTOR-HEADER;BOX,10P,1R,2.5mm,STRAIGH	....5	CNY01	3711-002645	CONNECTOR-HEADER;BOX,6P,1R,2.5MM,STRAIGH	
....4	IC103	AA96-50147B	ASSY-H/S;-;TR,AA62-30012B,KA7808,-	....5	CZ101	2401-000832	C-AL;220uF,20%,25V,GP,TP,8x11.5,5	
....5		1203-000293	IC-POSITIONAL FIXED REG.;7808,TO-220,3P,-,PLAS	....5	CZ102	2401-001840	C-AL;100uF,20%,16V,GP,TP,6.3x11.5	
....5		6003-000333	SCREW-TAPTITE;RH,+;2S,M3,L10,ZPC(YEL),SW	....5	CZ103	2401-000689	C-AL;220uF,20%,16V,GP,TP,13x25,5	
....5		AA62-30012B	HEAT SINK-ES;-;A6063 EXTR,-,-,45(16) T02	....5	CZ104	2401-000689	C-AL;220uF,20%,16V,GP,TP,13x25,5	
....4	IC107	AA96-00111L	ASSY-H/S;-;AA62-30013L,KA78R12,-	....5	CZ105	2201-000119	C-CERAMIC,DISC;100nF,+80-20%,50V,Y5V,TP,	
....5		1203-000165	IC-POSITIONAL ADJUST REG.;78R12,TO-220,3P,-,	....5	CZ106	2201-000119	C-CERAMIC,DISC;100nF,+80-20%,50V,Y5V,TP,	
....5		6003-000333	SCREW-TAPTITE;RH,+;2S,M3,L10,ZPC(YEL),SW	....5	CZ107	2201-000119	C-CERAMIC,DISC;100nF,+80-20%,50V,Y5V,TP,	
....5		AA62-30013L	HEATSINK-ES;-;AA62-30013L,KA78R12,-	....5	CZ108	2201-000982	C-CERAMIC,DISC;10nF,+80-20%,50V,Y5V,TP,	
△	4	TU101S	AA40-00032A	TUNER-F/S;TCPN3081PC09A(S),NTSC,TR,181CH	....5	CZ109	2202-000632	C-CERAMIC,MLC-AXIAL;100nF,20%,50V,Z5U,TP
△	4	TU102S	AA40-00032A	TUNER-F/S;TCPN3081PC09A(S),NTSC,TR,181CH	....5	CZ110	2202-000632	C-CERAMIC,MLC-AXIAL;100nF,20%,50V,Z5U,TP
....4		AA99-10211U	ASSY-PCB MAIN,AUTO;AA99-30217J ,V	S.N.A	....5	D603	0401-000005	DIODE-SWITCHING;1N4148,100V,200mA,DO-35,
....5	C100	2401-001397	C-AL;470uF,20%,25V,GP,TP,10x16,5	....5	D604	0401-000005	DIODE-SWITCHING;1N4148,100V,200mA,DO-35,	
....5	C101	2401-001397	C-AL;470uF,20%,25V,GP,TP,10x16,5	....5	D605	0401-000005	DIODE-SWITCHING;1N4148,100V,200mA,DO-35,	
....5	C102	2401-000611	C-AL;1uF,20%,50V,WT,TP,5x11,5	....5	D606	0401-000005	DIODE-SWITCHING;1N4148,100V,200mA,DO-35,	
....5	C103	2401-000302	C-AL;100uF,20%,25V,GP,TP,6.3x11,5	....5	D664	0402-000546	DIODE-RECTIFIER;TVR10G,400V,1.0A,DO-41,T	
....5	C104	2401-000603	C-AL;1uF,20%,50V,GP,TP,5x11,5	....5	D665	0401-000005	DIODE-SWITCHING;1N4148,100V,200mA,DO-35,	
....5	C105	2401-000302	C-AL;100uF,20%,25V,GP,TP,6.3x11,5	....5	D701	0401-000005	DIODE-SWITCHING;1N4148,100V,200mA,DO-35,	
....5	C106	2401-002463	C-AL;470uF,20%,16V,GP,TP,8x11.5,5	....5	D702	0401-000005	DIODE-SWITCHING;1N4148,100V,200mA,DO-35,	
....5	C107	2401-002463	C-AL;470uF,20%,16V,GP,TP,8x11.5,5	....5	D703	0401-000005	DIODE-SWITCHING;1N4148,100V,200mA,DO-35,	
....5	C110	2301-000383	C-FILM,PEF;10nF,5%,50V,TP,6x7x3.2mm,5mm	....5	DZ125	0402-000546	DIODE-RECTIFIER;TVR10G,400V,1.0A,DO-41,T	
....5	C111	2201-000180	C-CERAMIC,DISC;10nF,10%,50V,Y5V,TP,7x3,5	....5	DZ665	0403-001039	DIODE-ZENER;MA2560,56V,52-60V,1W,DO-41,T	
....5	C117	2201-000119	C-CERAMIC,DISC;100nF,+80-20%,50V,Y5V,TP,	....5	DZ701	0403-001140	DIODE-ZENER;RD10ESAB-T4,10V,9.19-10.30V,	
....5	C118	2305-000665	C-FILM,MPEF;100nF,5%,63V,TP,7.5x4.0x5.0m	....5	DZ801	0403-000700	DIODE-ZENER;TZP33A,33V,31-35V,1W,DO-41,T	
....5	C119	2301-000383	C-FILM,PEF;10nF,5%,50V,TP,6x7x3.2mm,5mm	....5	L100	2701-000159	INDUCTOR-AXIAL;22uH,10%,4.2x9.8mm	
....5	C120	2301-000383	C-FILM,PEF;10nF,5%,50V,TP,6x7x3.2mm,5mm	....5	L101	2701-000115	INDUCTOR-AXIAL;10uH,10%,3x7mm	
....5	C121	2301-000383	C-FILM,PEF;10nF,5%,50V,TP,6x7x3.2mm,5mm	....5	L102	2701-000159	INDUCTOR-AXIAL;22uH,10%,4.2x9.8mm	
....5	C122	2301-000383	C-FILM,PEF;10nF,5%,50V,TP,6x7x3.2mm,5mm	....5	L103	2701-000115	INDUCTOR-AXIAL;10uH,10%,3x7mm	
....5	C123	2305-000665	C-FILM,MPEF;100nF,5%,63V,TP,7.5x4.0x5.0m	....5	L104	2701-000115	INDUCTOR-AXIAL;10uH,10%,3x7mm	
....5	C124	2305-000665	C-FILM,MPEF;100nF,5%,63V,TP,7.5x4.0x5.0m	....5	L105	2701-000115	INDUCTOR-AXIAL;10uH,10%,3x7mm	
....5	C125	2305-000665	C-FILM,MPEF;100nF,5%,63V,TP,7.5x4.0x5.0m	....5	L107	2701-000115	INDUCTOR-AXIAL;10uH,10%,3x7mm	
....5	C126	2301-000383	C-FILM,PEF;10nF,5%,50V,TP,6x7x3.2mm,5mm	....5	L108	2701-001007	INDUCTOR-AXIAL;24uH,10%,4.5x14mm	
....5	C127	2305-000665	C-FILM,MPEF;100nF,5%,63V,TP,7.5x4.0x5.0m	....5	L110	2701-000116	INDUCTOR-AXIAL;10uH,10%,4.2x9.8mm	
....5	C128	2201-000119	C-CERAMIC,DISC;100nF,+80-20%,50V,Y5V,TP,	....5	L111	3301-000287	CORE-FERRITE BEAD;AA,3.5x1.0x6.0mm,1500,	
....5	C129	2401-001840	C-AL;100uF,20%,16V,GP,TP,6.3x11,5	....5	L112	3301-000287	CORE-FERRITE BEAD;AA,3.5x1.0x6.0mm,1500,	
....5	C130	2401-001840	C-AL;100uF,20%,16V,GP,TP,6.3x11,5	....5	L113	2901-000297	FILTER-EMI ON BOARD;-;3A,-,-,3.5x5,TP-	
....5	C131	2301-000383	C-FILM,PEF;10nF,5%,50V,TP,6x7x3.2mm,5mm	....5	L603	3301-000287	CORE-FERRITE BEAD;AA,3.5x1.0x6.0mm,1500,	
....5	C132	2401-000302	C-AL;100uF,20%,25V,GP,TP,6.3x11,5	....5	L604	3301-000287	CORE-FERRITE BEAD;AA,3.5x1.0x6.0mm,1500,	
....5	C133	2305-000665	C-FILM,MPEF;100nF,5%,63V,TP,7.5x4.0x5.0m	....5	L605	3301-000287	CORE-FERRITE BEAD;AA,3.5x1.0x6.0mm,1500,	
....5	C134	2305-000665	C-FILM,MPEF;100nF,5%,63V,TP,7.5x4.0x5.0m	....5	L901	2701-000115	INDUCTOR-AXIAL;10uH,10%,3x7mm	
....5	C135	2401-003034	C-AL;220uF,20%,16V,WT,TP,8x11.5,5	....5	LDZ101	0403-000510	DIODE-ZENER;MTZJ6.2B,6.2V,5.96-6.27V,500	
....5	C136	2401-002463	C-AL;470uF,20%,16V,GP,TP,8x11.5,5	....5	LDZ102	0403-000510	DIODE-ZENER;MTZJ6.2B,6.2V,5.96-6.27V,500	
....5	C137	2401-001397	C-AL;470uF,20%,25V,GP,TP,10x16,5	....5	LZ101	2701-000142	INDUCTOR-AXIAL;1uH,10%,2.5x3.4mm	
....5	C138	2401-000832	C-AL;220uF,20%,25V,GP,TP,8x11.5,5	....5	LZ102	2701-000142	INDUCTOR-AXIAL;1uH,10%,2.5x3.4mm	
....5	C140	2305-000665	C-FILM,MPEF;100nF,5%,63V,TP,7.5x4.0x5.0m	....5	LZ103	2701-001030	INDUCTOR-AXIAL;43uH,10%,5x14mm	
....5	C142	2401-002619	C-AL;47uF,20%,25V,GP,TP,5x11,5	....5	LZ104	2701-001030	INDUCTOR-AXIAL;43uH,10%,5x14mm	
....5	C144	2202-000632	C-CERAMIC,MLC-AXIAL;100nF,20%,50V,Z5U,TP	....5	PCB	AA41-00332B	PCB-MAIN;PCL545R,FR-1,1L,A,1.6T,330X245	
....5	C145	2202-000632	C-CERAMIC,MLC-AXIAL;100nF,20%,50V,Z5U,TP	....5	Q601	0501-000389	TR-SMALL SIGNAL;KSC815,NPN,400mW,TO-92,T	
....5	C146	2202-000632	C-CERAMIC,MLC-AXIAL;100nF,20%,50V,Z5U,TP	....5	Q666	0501-000389	TR-SMALL SIGNAL;KSC815,NPN,400mW,TO-92,T	
....5	C147	2202-000632	C-CERAMIC,MLC-AXIAL;100nF,20%,50V,Z5U,TP	....5	Q668	0501-000389	TR-SMALL SIGNAL;KSC815,NPN,400mW,TO-92,T	
....5	C149	2202-000632	C-CERAMIC,MLC-AXIAL;100nF,20%,50V,Z5U,TP	....5	Q701	0501-000389	TR-SMALL SIGNAL;KSC815,NPN,400mW,TO-92,T	
....5	C150	2202-000632	C-CERAMIC,MLC-AXIAL;100nF,20%,50V,Z5U,TP	....5	Q702	0501-000389	TR-SMALL SIGNAL;KSC815,NPN,400mW,TO-92,T	
....5	C151	2202-000632	C-CERAMIC,MLC-AXIAL;100nF,20%,50V,Z5U,TP	....5	R102	2001-000281	R-CARBON;100OHM,5%,1/8W,AA,TP,1.8X3.2MM	
....5	C152	2202-000632	C-CERAMIC,MLC-AXIAL;100nF,20%,50V,Z5U,TP	....5	R103	2001-000281	R-CARBON;100OHM,5%,1/8W,AA,TP,1.8X3.2MM	
....5	C153	2201-000119	C-CERAMIC,DISC;100nF,+80-20%,50V,Y5V,TP,	....5	R104	2001-000066	R-CARBON(S);10KOHM,5%,1/2W,AA,TP,2.4X6.4	
....5	C154	2201-000119	C-CERAMIC,DISC;100nF,+80-20%,50V,Y5V,TP,	....5	R105	2001-000281	R-CARBON;100OHM,5%,1/8W,AA,TP,1.8X3.2MM	
....5	C155	2201-000119	C-CERAMIC,DISC;100nF,+80-20%,50V,Y5V,TP,	....5	R106	2001-000281	R-CARBON;100OHM,5%,1/8W,AA,TP,1.8X3.2MM	
....5	C157	2202-000632	C-CERAMIC,MLC-AXIAL;100nF,20%,50V,Z5U,TP	....5	R107	2001-000739	R-CARBON;4.7MOHM,5%,1/8W,AA,TP,1.8X3.2M	
....5	C191	2401-002619	C-AL;47uF,20%,25V,GP,TP,5x11,5	....5	R110	2001-000739	R-CARBON;4.7MOHM,5%,1/8W,AA,TP,1.8X3.2M	
....5	C666	2305-000665	C-FILM,MPEF;100nF,5%,63V,TP,7.5x4.0x5.0m	....5	R111	2001-000037	R-CARBON(S);330OHM,5%,1/2W,AA,TP,2.4X6.4	
....5	C667	2401-000603	C-AL;1uF,20%,50V,GP,TP,5x11,5	....5	R112	2001-000739	R-CARBON;4.7MOHM,5%,1/8W,AA,TP,1.8X3.2M	
....5	C668	2401-000603	C-AL;1uF,20%,50V,GP,TP,5x11,5	....5	R113	2001-000739	R-CARBON;4.7MOHM,5%,1/8W,AA,TP,1.8X3.2M	
....5	C676	2401-001192	C-AL;33uF,20%,50V,GP,TP,6.3x11,5	....5	R115	2001-000869	R-CARBON;560OHM,5%,1/8W,AA,TP,1.8X3.2MM	
....5	C686	2301-000192	C-FILM,PEF;1nF,5%,50V,TP,5.3x10mm,5mm	....5	R117	2001-000938	R-CARBON;680OHM,5%,1/8W,AA,TP,1.8X3.2MM	
....5	C687	2301-000192	C-FILM,PEF;1nF,5%,50V,TP,5.3x10mm,5mm	....5	R602	2001-000429	R-CARBON;1KOHM,5%,1/8W,AA,TP,1.8X3.2MM	
....5	C688	2401-000192	C-AL;100uF,20%,50V,GP,TP,16x25,7,5	....5	R603	2001-001097	R-CARBON(S);2.4KOHM,5%,1/2W,AA,TP,2.4X6.	
....5	C689	2305-000665	C-FILM,MPEF;100nF,5%,63V,TP,7.5x4.0x5.0m	....5	R604	2001-001168	R-CARBON(S);6.8KOHM,5%,1/2W,AA,TP,2.4X6.	
....5	C690	2305-000665	C-FILM,MPEF;100nF,5%,63V,TP,7.5x4.0x5.0m	....5	R605	2001-001106	R-CARBON(S);220KOHM,5%,1/2W,AA,TP,2.4X6.	
....5	C691	2401-000192	C-AL;100uF,20%,50V,GP,TP,16x25,7,5	....5	R661	2004-001970	R-METAL;1.8Kohm,1%,1/2W,AA,TP,6.5x2.5m	
....5	C701	2401-000027	C-AL;4.7uF,20%,50V,GP,TP,5x11,5	....5	R662	2004-001970	R-METAL;1.8Kohm,1%,1/2W,AA,TP,6.5x2.5m	
....5	C801	2401-002300	C-AL;47uF,20%,50V,GP,TP,6.3x11,5	....5	R663	2001-000660	R-CARBON;33KOHM,5%,1/8W,AA,TP,1.8X3.2MM	
....5	C901	2401-002235	C-AL;10uF,20%,16V,GP,TP,5x11mm,5mm	....5	R664	2004-001970	R-METAL;1.8Kohm,1%,1/2W,AA,TP,6.5x2.5m	
....5	C902	2201-000119	C-CERAMIC,DISC;100nF,+80-20%,50V,Y5V,TP,	....5	R665	2001-000066	R-CARBON(S);10KOHM,5%,1/2W,AA,TP,2.4X6.4	







Electrical Parts List

Loc. No.	Code No.	Description ; Specification	Remark	Loc. No.	Code No.	Description ; Specification	Remark
....4	RS805	2001-001107	R-CARBON(S);220ohm,5%,1/2W,AA,TP,2.4x6.4	....4	C113	2203-000681	C-CERAMIC,CHIP;0.027nF,5%,50V,NP0,TP,160
....4	RS806	2001-001159	R-CARBON(S);5100HM,5%,1/2W,AA,TP,2.4X6.4	....4	C114	2203-000181	C-CERAMIC,CHIP;100nF,+80-20%,25V,Y5V,TP
....4	RS807	2001-001192	R-CARBON(S);8200HM,5%,1/2W,AA,TP,2.4X6.4	....4	C115	2203-000181	C-CERAMIC,CHIP;100nF,+80-20%,25V,Y5V,TP
....4	RS808	2001-000066	R-CARBON(S);10KOHM,5%,1/2W,AA,TP,2.4X6.4	....4	C116	2203-000181	C-CERAMIC,CHIP;100nF,+80-20%,25V,Y5V,TP
....4	RS809	2001-001099	R-CARBON(S);2.7KOHM,5%,1/2W,AA,TP,2.4X6.4	....4	C117	2203-000181	C-CERAMIC,CHIP;100nF,+80-20%,25V,Y5V,TP
....4	RS810	2001-000085	R-CARBON(S);100KOHM,5%,1/2W,AA,TP,2.4X6.4	....4	C118	2203-000181	C-CERAMIC,CHIP;100nF,+80-20%,25V,Y5V,TP
....4	RS811	2001-001097	R-CARBON(S);2.4KOHM,5%,1/2W,AA,TP,2.4X6.4	....4	C119	2203-000181	C-CERAMIC,CHIP;100nF,+80-20%,25V,Y5V,TP
....4	RZ104	2001-001114	R-CARBON(S);2700HM,5%,1/2W,AA,TP,2.4X6.4	....4	C120	2203-000181	C-CERAMIC,CHIP;100nF,+80-20%,25V,Y5V,TP
....4	RZ105	2001-001114	R-CARBON(S);2700HM,5%,1/2W,AA,TP,2.4X6.4	....4	C121	2203-000181	C-CERAMIC,CHIP;100nF,+80-20%,25V,Y5V,TP
....4	RZ106	2001-001114	R-CARBON(S);2700HM,5%,1/2W,AA,TP,2.4X6.4	....4	C122	2203-000181	C-CERAMIC,CHIP;100nF,+80-20%,25V,Y5V,TP
....4	RZ107	2001-001114	R-CARBON(S);2700HM,5%,1/2W,AA,TP,2.4X6.4	....4	C123	2203-000181	C-CERAMIC,CHIP;100nF,+80-20%,25V,Y5V,TP
....4	RZ108	2001-001114	R-CARBON(S);2700HM,5%,1/2W,AA,TP,2.4X6.4	....4	C124	2203-000181	C-CERAMIC,CHIP;100nF,+80-20%,25V,Y5V,TP
....4	RZ109	2001-001114	R-CARBON(S);2700HM,5%,1/2W,AA,TP,2.4X6.4	....4	C125	2203-000181	C-CERAMIC,CHIP;100nF,+80-20%,25V,Y5V,TP
....4	RZ110	2001-000563	R-CARBON;27KOHM,5%,1/8W,AA,TP,1.8X3.2MM	....4	C126	2203-000181	C-CERAMIC,CHIP;100nF,+80-20%,25V,Y5V,TP
....4	RZ111	2001-000563	R-CARBON;27KOHM,5%,1/8W,AA,TP,1.8X3.2MM	....4	C127	2203-000181	C-CERAMIC,CHIP;100nF,+80-20%,25V,Y5V,TP
....4	RZ112	2001-000563	R-CARBON;27KOHM,5%,1/8W,AA,TP,1.8X3.2MM	....4	C128	2203-000181	C-CERAMIC,CHIP;100nF,+80-20%,25V,Y5V,TP
....4	RZ113	2001-000591	R-CARBON;3.3KOHM,5%,1/8W,AA,TP,1.8X3.2MM	....4	C129	2203-000181	C-CERAMIC,CHIP;100nF,+80-20%,25V,Y5V,TP
....4	RZ114	2001-000857	R-CARBON;5600HM,5%,1/8W,AA,TP,1.8X3.2MM	....4	C130	2203-000181	C-CERAMIC,CHIP;100nF,+80-20%,25V,Y5V,TP
....4	RZ115	2001-000591	R-CARBON;3.3KOHM,5%,1/8W,AA,TP,1.8X3.2M	....4	C131	2203-000181	C-CERAMIC,CHIP;100nF,+80-20%,25V,Y5V,TP
....4	RZ116	2001-000857	R-CARBON;5600HM,5%,1/8W,AA,TP,1.8X3.2MM	....4	C132	2203-000405	C-CERAMIC,CHIP;0.18nF,5%,50V,NP0,TP,1608
....4	RZ117	2001-000591	R-CARBON;3.3KOHM,5%,1/8W,AA,TP,1.8X3.2M	....4	C133	2402-001049	C-AL,CHIP;10uF,20%,16V,GP,TP,3.3x3.3x5.4
....4	RZ118	2001-000857	R-CARBON;5600HM,5%,1/8W,AA,TP,1.8X3.2MM	....4	C134	2203-000181	C-CERAMIC,CHIP;100nF,+80-20%,25V,Y5V,TP
....4	RZ123	2003-002148	R-METAL OXIDE;3.90HM,2%,2W,AF,TP,3.9X10M	....4	C135	2203-000715	C-CERAMIC,CHIP;3.3nF,10%,50V,X7R,TP,1608
....4	RZ124	2003-002148	R-METAL OXIDE;3.90HM,2%,2W,AF,TP,3.9X10M	....4	C136	2203-000181	C-CERAMIC,CHIP;100nF,+80-20%,25V,Y5V,TP
....4	RZ125	2003-002148	R-METAL OXIDE;3.90HM,2%,2W,AF,TP,3.9X10M	....4	C137	2203-000715	C-CERAMIC,CHIP;3.3nF,10%,50V,X7R,TP,1608
....4	RZ126	2003-002148	R-METAL OXIDE;3.90HM,2%,2W,AF,TP,3.9X10M	....4	C138	2203-000405	C-CERAMIC,CHIP;0.18nF,5%,50V,NP0,TP,1608
....4	RZ127	2003-002148	R-METAL OXIDE;3.90HM,2%,2W,AF,TP,3.9X10M	....4	C139	2203-000181	C-CERAMIC,CHIP;100nF,+80-20%,25V,Y5V,TP
....4	RZ128	2003-002148	R-METAL OXIDE;3.90HM,2%,2W,AF,TP,3.9X10M	....4	C140	2402-001049	C-AL,CHIP;10uF,20%,16V,GP,TP,3.3x3.3x5.4
....4	RZ129	2003-002171	R-METAL OXIDE(S);150ohm,5%,2W,AG,TP,3.9x	....4	C141	2203-000405	C-CERAMIC,CHIP;0.18nF,5%,50V,NP0,TP,1608
....4	RZ129A	2003-002171	R-METAL OXIDE(S);150ohm,5%,2W,AG,TP,3.9x	....4	C142	2402-001049	C-AL,CHIP;10uF,20%,16V,GP,TP,3.3x3.3x5.4
....4	RZ130	2003-002171	R-METAL OXIDE(S);150ohm,5%,2W,AG,TP,3.9x	....4	C143	2203-000181	C-CERAMIC,CHIP;100nF,+80-20%,25V,Y5V,TP
....4	RZ130A	2003-002171	R-METAL OXIDE(S);150ohm,5%,2W,AG,TP,3.9x	....4	C144	2203-000715	C-CERAMIC,CHIP;3.3nF,10%,50V,X7R,TP,1608
....4	RZ131	2003-002171	R-METAL OXIDE(S);150ohm,5%,2W,AG,TP,3.9x	....4	C145	2203-000181	C-CERAMIC,CHIP;100nF,+80-20%,25V,Y5V,TP
....4	RZ131A	2003-002171	R-METAL OXIDE(S);150ohm,5%,2W,AG,TP,3.9x	....4	C146	2203-000715	C-CERAMIC,CHIP;3.3nF,10%,50V,X7R,TP,1608
....4	RZ132	2003-002171	R-METAL OXIDE(S);150ohm,5%,2W,AG,TP,3.9x	....4	C147	2203-000405	C-CERAMIC,CHIP;0.18nF,5%,50V,NP0,TP,1608
....4	RZ132A	2003-002171	R-METAL OXIDE(S);150ohm,5%,2W,AG,TP,3.9x	....4	C148	2402-001049	C-AL,CHIP;10uF,20%,16V,GP,TP,3.3x3.3x5.4
....4	RZ133	2001-000563	R-CARBON;27KOHM,5%,1/8W,AA,TP,1.8X3.2MM	....4	C149	2203-000181	C-CERAMIC,CHIP;100nF,+80-20%,25V,Y5V,TP
....4	RZ134	2001-000563	R-CARBON;27KOHM,5%,1/8W,AA,TP,1.8X3.2MM	....4	C150	2203-000181	C-CERAMIC,CHIP;100nF,+80-20%,25V,Y5V,TP
....4	RZ135	2001-000563	R-CARBON;27KOHM,5%,1/8W,AA,TP,1.8X3.2MM	....4	C151	2203-000405	C-CERAMIC,CHIP;0.18nF,5%,50V,NP0,TP,1608
....4	RZ136	2001-000591	R-CARBON;3.3KOHM,5%,1/8W,AA,TP,1.8X3.2M	....4	C152	2402-001049	C-AL,CHIP;10uF,20%,16V,GP,TP,3.3x3.3x5.4
....4	RZ137	2001-000857	R-CARBON;5600HM,5%,1/8W,AA,TP,1.8X3.2MM	....4	C153	2203-000181	C-CERAMIC,CHIP;100nF,+80-20%,25V,Y5V,TP
....4	RZ138	2001-000591	R-CARBON;3.3KOHM,5%,1/8W,AA,TP,1.8X3.2M	....4	C154	2203-000715	C-CERAMIC,CHIP;3.3nF,10%,50V,X7R,TP,1608
....4	RZ139	2001-000857	R-CARBON;5600HM,5%,1/8W,AA,TP,1.8X3.2MM	....4	C155	2203-000181	C-CERAMIC,CHIP;100nF,+80-20%,25V,Y5V,TP
....4	RZ140	2001-000591	R-CARBON;3.3KOHM,5%,1/8W,AA,TP,1.8X3.2M	....4	C156	2203-000715	C-CERAMIC,CHIP;3.3nF,10%,50V,X7R,TP,1608
....4	RZ141	2001-000857	R-CARBON;5600HM,5%,1/8W,AA,TP,1.8X3.2MM	....4	C157	2203-000405	C-CERAMIC,CHIP;0.18nF,5%,50V,NP0,TP,1608
....4	RZ142	2003-002148	R-METAL OXIDE;3.90HM,2%,2W,AF,TP,3.9X10M	....4	C158	2402-001049	C-AL,CHIP;10uF,20%,16V,GP,TP,3.3x3.3x5.4
....4	RZ143	2003-002148	R-METAL OXIDE;3.90HM,2%,2W,AF,TP,3.9X10M	....4	C159	2203-000181	C-CERAMIC,CHIP;100nF,+80-20%,25V,Y5V,TP
....4	RZ144	2003-002148	R-METAL OXIDE;3.90HM,2%,2W,AF,TP,3.9X10M	....4	C160	2203-000181	C-CERAMIC,CHIP;100nF,+80-20%,25V,Y5V,TP
....4	RZ145	2003-002148	R-METAL OXIDE;3.90HM,2%,2W,AF,TP,3.9X10M	....4	C161	2402-001042	C-AL,SMD;100uF,20%,16V,GP,TP,6.6x6.6x5
....4	RZ146	2003-002148	R-METAL OXIDE;3.90HM,2%,2W,AF,TP,3.9X10M	....4	C162	2402-001042	C-AL,SMD;100uF,20%,16V,GP,TP,6.6x6.6x5
....4	RZ147	2003-002148	R-METAL OXIDE;3.90HM,2%,2W,AF,TP,3.9X10M	....4	C164	2402-000173	C-AL,SMD;4.7uF,20%,35V,GP,TP,4.3x4.3x5
....4	RZ148	2003-002171	R-METAL OXIDE(S);150ohm,5%,2W,AG,TP,3.9x	....4	C165	2203-000181	C-CERAMIC,CHIP;100nF,+80-20%,25V,Y5V,TP
....4	RZ148A	2003-002171	R-METAL OXIDE(S);150ohm,5%,2W,AG,TP,3.9x	....4	C166	2203-000181	C-CERAMIC,CHIP;100nF,+80-20%,25V,Y5V,TP
....4	RZ149	2003-002171	R-METAL OXIDE(S);150ohm,5%,2W,AG,TP,3.9x	....4	C167	2402-001049	C-AL,CHIP;10uF,20%,16V,GP,TP,3.3x3.3x5.4
....4	RZ149A	2003-002171	R-METAL OXIDE(S);150ohm,5%,2W,AG,TP,3.9x	....4	C168	2203-000181	C-CERAMIC,CHIP;100nF,+80-20%,25V,Y5V,TP
△	VP811S	1405-000152	VARIABLE RESISTOR;560V,2500A,14x8.5mm,TP	....4	C169	2203-000181	C-CERAMIC,CHIP;100nF,+80-20%,25V,Y5V,TP
...		3301-001201	CORE-FERRITE;AE,21x11x32mm,1500,280G	....4	C170	2203-000181	C-CERAMIC,CHIP;100nF,+80-20%,25V,Y5V,TP
..2		AA95-00706C	ASSY-PCB,CONV MDL.;PCL545R,P54A	....4	C172	2402-001042	C-AL,SMD;100uF,20%,16V,GP,TP,6.6x6.6x5
...3	C163	2305-000289	C-FILM,MPEF;220nF,5%,63V,TP,-5mm	....4	C173	2402-001042	C-AL,SMD;100uF,20%,16V,GP,TP,6.6x6.6x5
...3	CN103	3711-001094	CONNECTOR-HEADER;BOX,7P,1R,2.5mm,ANGLE,-	....4	C174	2402-001042	C-AL,SMD;100uF,20%,16V,GP,TP,6.6x6.6x5
...3	CN201	3703-001124	CONNECTOR-DIN;32P,2R,MALE,ANGLE,AUF	....4	C201	2203-000405	C-CERAMIC,CHIP;0.18nF,5%,50V,NP0,TP,1608
...3	IC113	1203-000641	IC-RESET;7442,TO-92,3P,-,PLASTIC,-0.3/7	....4	C202	2203-000405	C-CERAMIC,CHIP;0.18nF,5%,50V,NP0,TP,1608
...3		0202-001167	SOLDER-CREAM;RX3603-2330HO,S45A,PASTE,SN	....4	C203	2203-000405	C-CERAMIC,CHIP;0.18nF,5%,50V,NP0,TP,1608
...3		0202-000187	SOLDER-WIRE FLUX;-,RS60S,D1.2,63Sn/37Pb	....4	C204	2203-000405	C-CERAMIC,CHIP;0.18nF,5%,50V,NP0,TP,1608
...3		AA99-20087Z	ASSY-PCB SUB,AUTO; AA95-00706C /V	....4	C205	2203-000405	C-CERAMIC,CHIP;0.18nF,5%,50V,NP0,TP,1608
....4	C101	2402-001042	C-AL,SMD;100uF,20%,16V,GP,TP,6.6x6.6x5	....4	C206	2203-000405	C-CERAMIC,CHIP;0.18nF,5%,50V,NP0,TP,1608
....4	C102	2402-001042	C-AL,SMD;100uF,20%,16V,GP,TP,6.6x6.6x5	....4	C301	2402-001042	C-AL,SMD;100uF,20%,16V,GP,TP,6.6x6.6x5
....4	C103	2402-001042	C-AL,SMD;100uF,20%,16V,GP,TP,6.6x6.6x5	....4	D101	0401-000160	DIODE-SWITCHING;ISS314,30V,100mA,USC,TP
....4	C104	2203-000181	C-CERAMIC,CHIP;100nF,+80-20%,25V,Y5V,TP	....4	D102	0401-000160	DIODE-SWITCHING;ISS314,30V,100mA,USC,TP
....4	C105	2203-000851	C-CERAMIC,CHIP;0.039nF,5%,50V,NP0,TP,160	....4	DZ101	0403-001016	DIODE-ZENER;RLZ6.2B,6.2V,5.96-6.27V,400m
....4	C106	2203-000181	C-CERAMIC,CHIP;100nF,+80-20%,25V,Y5V,TP	....4	DZ102	0403-001016	DIODE-ZENER;RLZ6.2B,6.2V,5.96-6.27V,400m
....4	C107	2203-000715	C-CERAMIC,CHIP;3.3nF,10%,50V,X7R,TP,1608	....4	DZ105	0403-001016	DIODE-ZENER;RLZ6.2B,6.2V,5.96-6.27V,400m
....4	C108	2402-000170	C-AL,SMD;1uF,20%,50V,GP,TP,4.3x4.3x5.4	....4	DZ106	0403-001016	DIODE-ZENER;RLZ6.2B,6.2V,5.96-6.27V,400m
....4	C109	2203-000181	C-CERAMIC,CHIP;100nF,+80-20%,25V,Y5V,TP	....4	DZ107	0403-001016	DIODE-ZENER;RLZ6.2B,6.2V,5.96-6.27V,400m
....4	C110	2203-000440	C-CERAMIC,CHIP;1nF,10%,50V,X7R,TP,1608,-	....4	DZ108	0403-001016	DIODE-ZENER;RLZ6.2B,6.2V,5.96-6.27V,400m
....4	C111	2203-000181	C-CERAMIC,CHIP;100nF,+80-20%,25V,Y5V,TP	....4	DZ109	0403-001016	DIODE-ZENER;RLZ6.2B,6.2V,5.96-6.27V,400m
....4	C112	2203-000681	C-CERAMIC,CHIP;0.027nF,5%,50V,NP0,TP,160	....4	DZ110	0403-001016	DIODE-ZENER;RLZ6.2B,6.2V,5.96-6.27V,400m



Loc. No.	Code No.	Description ; Specification	Remark	Loc. No.	Code No.	Description ; Specification	Remark
....4	DZ111	0403-001016	DIODE-ZENER;RLZ6.2B,6.2V,5.96-6.27V,400m	....4	R125	2007-000402	R-CHIP;150ohm,5%,1/16W,DA,TP,1608
....4	DZ112	0403-001016	DIODE-ZENER;RLZ6.2B,6.2V,5.96-6.27V,400m	....4	R126	2007-000402	R-CHIP;150ohm,5%,1/16W,DA,TP,1608
....4	DZ113	0403-001016	DIODE-ZENER;RLZ6.2B,6.2V,5.96-6.27V,400m	....4	R127	2007-000402	R-CHIP;150ohm,5%,1/16W,DA,TP,1608
....4	DZ114	0403-001016	DIODE-ZENER;RLZ6.2B,6.2V,5.96-6.27V,400m	....4	R128	2007-000074	R-CHIP;100ohm,5%,1/16W,DA,TP,1608
....4	DZ115	0403-001016	DIODE-ZENER;RLZ6.2B,6.2V,5.96-6.27V,400m	....4	R129	2007-000043	R-CHIP;1Kohm,1%,1/16W,DA,TP,1608
....4	DZ116	0403-001016	DIODE-ZENER;RLZ6.2B,6.2V,5.96-6.27V,400m	....4	R130	2007-000869	R-CHIP;4.7Kohm,1%,1/16W,DA,TP,1608
....4	DZ201	0403-001016	DIODE-ZENER;RLZ6.2B,6.2V,5.96-6.27V,400m	....4	R131	2007-000086	R-CHIP;5.6Kohm,5%,1/16W,DA,TP,1608
....4	DZ202	0403-001016	DIODE-ZENER;RLZ6.2B,6.2V,5.96-6.27V,400m	....4	R132	2007-000043	R-CHIP;1Kohm,1%,1/16W,DA,TP,1608
....4	DZ203	0403-001016	DIODE-ZENER;RLZ6.2B,6.2V,5.96-6.27V,400m	....4	R133	2007-000869	R-CHIP;4.7Kohm,1%,1/16W,DA,TP,1608
....4	DZ204	0403-001016	DIODE-ZENER;RLZ6.2B,6.2V,5.96-6.27V,400m	....4	R134	2007-000086	R-CHIP;5.6Kohm,5%,1/16W,DA,TP,1608
....4	DZ205	0403-001016	DIODE-ZENER;RLZ6.2B,6.2V,5.96-6.27V,400m	....4	R135	2007-000074	R-CHIP;100ohm,5%,1/16W,DA,TP,1608
....4	EF101	2901-000229	FILTER-EMI SMD;50V,0.3A,-,22000pF,4.5x3.	....4	R136	2007-000074	R-CHIP;100ohm,5%,1/16W,DA,TP,1608
....4	EF102	2901-000229	FILTER-EMI SMD;50V,0.3A,-,22000pF,4.5x3.	....4	R137	2007-000043	R-CHIP;1Kohm,1%,1/16W,DA,TP,1608
....4	EF105	2901-000226	FILTER-EMI SMD;25V,0.3A,-,100pF,3.2x1.25	....4	R138	2007-000869	R-CHIP;4.7Kohm,1%,1/16W,DA,TP,1608
....4	EF106	2901-000226	FILTER-EMI SMD;25V,0.3A,-,100pF,3.2x1.25	....4	R139	2007-000086	R-CHIP;5.6Kohm,5%,1/16W,DA,TP,1608
....4	EF107	2901-000226	FILTER-EMI SMD;25V,0.3A,-,100pF,3.2x1.25	....4	R140	2007-000043	R-CHIP;1Kohm,1%,1/16W,DA,TP,1608
....4	EF108	2901-000226	FILTER-EMI SMD;25V,0.3A,-,100pF,3.2x1.25	....4	R141	2007-000869	R-CHIP;4.7Kohm,1%,1/16W,DA,TP,1608
....4	EF109	2901-000226	FILTER-EMI SMD;25V,0.3A,-,100pF,3.2x1.25	....4	R142	2007-000086	R-CHIP;5.6Kohm,5%,1/16W,DA,TP,1608
....4	EF110	2901-000226	FILTER-EMI SMD;25V,0.3A,-,100pF,3.2x1.25	....4	R143	2007-000074	R-CHIP;100ohm,5%,1/16W,DA,TP,1608
....4	EF111	2901-000226	FILTER-EMI SMD;25V,0.3A,-,100pF,3.2x1.25	....4	R144	2007-000074	R-CHIP;100ohm,5%,1/16W,DA,TP,1608
....4	EF112	2901-000226	FILTER-EMI SMD;25V,0.3A,-,100pF,3.2x1.25	....4	R145	2007-000043	R-CHIP;1Kohm,1%,1/16W,DA,TP,1608
....4	EF113	2901-000226	FILTER-EMI SMD;25V,0.3A,-,100pF,3.2x1.25	....4	R146	2007-000869	R-CHIP;4.7Kohm,1%,1/16W,DA,TP,1608
....4	EF114	2901-000226	FILTER-EMI SMD;25V,0.3A,-,100pF,3.2x1.25	....4	R147	2007-000086	R-CHIP;5.6Kohm,5%,1/16W,DA,TP,1608
....4	EF115	2901-000226	FILTER-EMI SMD;25V,0.3A,-,100pF,3.2x1.25	....4	R148	2007-000043	R-CHIP;1Kohm,1%,1/16W,DA,TP,1608
....4	EF116	2901-000226	FILTER-EMI SMD;25V,0.3A,-,100pF,3.2x1.25	....4	R149	2007-000869	R-CHIP;4.7Kohm,1%,1/16W,DA,TP,1608
....4	EF201	2901-000226	FILTER-EMI SMD;25V,0.3A,-,100pF,3.2x1.25	....4	R150	2007-000086	R-CHIP;5.6Kohm,5%,1/16W,DA,TP,1608
....4	EF202	2901-000226	FILTER-EMI SMD;25V,0.3A,-,100pF,3.2x1.25	....4	R151	2007-000074	R-CHIP;100ohm,5%,1/16W,DA,TP,1608
....4	EF203	2901-000226	FILTER-EMI SMD;25V,0.3A,-,100pF,3.2x1.25	....4	R152	2007-000102	R-CHIP;100Kohm,5%,1/16W,DA,TP,1608
....4	EF204	2901-000226	FILTER-EMI SMD;25V,0.3A,-,100pF,3.2x1.25	....4	R153	2007-000084	R-CHIP;4.7Kohm,5%,1/16W,DA,TP,1608
....4	EF205	2901-000226	FILTER-EMI SMD;25V,0.3A,-,100pF,3.2x1.25	....4	R154	2007-000134	R-CHIP;33Kohm,5%,1/16W,DA,TP,1608
....4	IC101	AA13-00071A	IC-ASIC,-,SDC91,QFP,208P,CONV CONTROLL	....4	R155	2007-000090	R-CHIP;10Kohm,5%,1/16W,DA,TP,1608
....4	IC102	0801-001043	IC-CMOS LOGIC;74HC4046,PHASE-LOCKED-LOOP	....4	R156	2007-001056	R-CHIP;6.2Kohm,5%,1/16W,DA,TP,1608
....4	IC103	AA09-00032A	IC-MCU;TSC87251G2D-OT,PTSC87251G2D-OT	....4	R157	2007-000080	R-CHIP;2Kohm,5%,1/16W,DA,TP,1608
....4	IC104	1103-001167	IC-EEPROM;28C64,8KX8BIT,TSOP,28P,-,120NS	....4	R158	2007-000078	R-CHIP;1Kohm,5%,1/16W,DA,TP,1608
....4	IC105	1201-001520	IC-VIDEO AMP;2210,SOP,8P,150MIL,DUAL,7dB	....4	R159	2007-001167	R-CHIP;75ohm,5%,1/16W,DA,TP,1608
....4	IC106	1201-001504	IC-OP AMP;072,SOP,8P,150MIL,DUAL,-,PLAST	....4	R160	2007-000078	R-CHIP;1Kohm,5%,1/16W,DA,TP,1608
....4	IC107	1201-001504	IC-OP AMP;072,SOP,8P,150MIL,DUAL,-,PLAST	....4	R161	2007-000074	R-CHIP;100ohm,5%,1/16W,DA,TP,1608
....4	IC108	1201-001504	IC-OP AMP;072,SOP,8P,150MIL,DUAL,-,PLAST	....4	R162	2007-000074	R-CHIP;100ohm,5%,1/16W,DA,TP,1608
....4	IC109	0801-001156	IC-CMOS LOGIC;74HC4066,BILATERAL SWITCH,	....4	R163	2007-000074	R-CHIP;100ohm,5%,1/16W,DA,TP,1608
....4	IC110	0801-001156	IC-CMOS LOGIC;74HC4066,BILATERAL SWITCH,	....4	R164	2007-000078	R-CHIP;1Kohm,5%,1/16W,DA,TP,1608
....4	IC111	1001-000105	IC-ANALOG SWITCH;CD4066BM,BILATERAL CMOS	....4	R165	2007-000078	R-CHIP;1Kohm,5%,1/16W,DA,TP,1608
....4	IC112	1001-000105	IC-ANALOG SWITCH;CD4066BM,BILATERAL CMOS	....4	R166	2007-000074	R-CHIP;100ohm,5%,1/16W,DA,TP,1608
....4	IC201	1203-001502	IC-POSI.FIXED REG.;431,SOT-23,3P,-,PLAST	....4	R175	2007-000090	R-CHIP;10Kohm,5%,1/16W,DA,TP,1608
....4	PCB	AA41-00188F	PCB-CONVERGENCE MODULE;SVP-43J5M,FR-4,2L	....4	R176	2007-000084	R-CHIP;4.7Kohm,5%,1/16W,DA,TP,1608
....4	Q101	0501-000280	TR-SMALL SIGNAL;KSA1182,PNP,150mW,SOT-23	....4	R178	2007-000729	R-CHIP;300ohm,5%,1/16W,DA,TP,1608
....4	Q102	0501-000342	TR-SMALL SIGNAL;KSC1623-Y,NPN,200mW,SOT-	....4	R179	2007-000729	R-CHIP;300ohm,5%,1/16W,DA,TP,1608
....4	Q103	0501-000342	TR-SMALL SIGNAL;KSC1623-Y,NPN,200mW,SOT-	....4	R180	2007-000729	R-CHIP;300ohm,5%,1/16W,DA,TP,1608
....4	Q104	0501-000280	TR-SMALL SIGNAL;KSA1182,PNP,150mW,SOT-23	....4	R181	2007-000729	R-CHIP;300ohm,5%,1/16W,DA,TP,1608
....4	Q107	0501-000342	TR-SMALL SIGNAL;KSC1623-Y,NPN,200mW,SOT-	....4	R182	2007-000729	R-CHIP;300ohm,5%,1/16W,DA,TP,1608
....4	Q109	0505-000257	FET-SILICON;2SK217,N,-,20mA,-,150mW,SOT-	....4	R183	2007-000729	R-CHIP;300ohm,5%,1/16W,DA,TP,1608
....4	Q110	0505-000257	FET-SILICON;2SK217,N,-,20mA,-,150mW,SOT-	....4	R192	2007-000309	R-CHIP;10ohm,5%,1/16W,DA,TP,1608
....4	Q111	0505-000257	FET-SILICON;2SK217,N,-,20mA,-,150mW,SOT-	....4	R193	2007-000084	R-CHIP;4.7Kohm,5%,1/16W,DA,TP,1608
....4	Q112	0505-000257	FET-SILICON;2SK217,N,-,20mA,-,150mW,SOT-	....4	R194	2007-000084	R-CHIP;4.7Kohm,5%,1/16W,DA,TP,1608
....4	Q113	0505-000257	FET-SILICON;2SK217,N,-,20mA,-,150mW,SOT-	....4	R201	2007-000070	R-CHIP;0ohm,5%,1/16W,DA,TP,1608
....4	Q114	0505-000257	FET-SILICON;2SK217,N,-,20mA,-,150mW,SOT-	....4	R203	2007-000106	R-CHIP;220Kohm,5%,1/16W,DA,TP,1608
....4	R101	2007-000882	R-CHIP;4.7ohm,5%,1/16W,DA,TP,1608	....4	R204	2007-000106	R-CHIP;220Kohm,5%,1/16W,DA,TP,1608
....4	R102	2007-000070	R-CHIP;0ohm,5%,1/16W,DA,TP,1608	....4	R205	2007-000106	R-CHIP;220Kohm,5%,1/16W,DA,TP,1608
....4	R103	2007-000882	R-CHIP;4.7ohm,5%,1/16W,DA,TP,1608	....4	R206	2007-000106	R-CHIP;220Kohm,5%,1/16W,DA,TP,1608
....4	R104	2007-000882	R-CHIP;4.7ohm,5%,1/16W,DA,TP,1608	....4	R207	2007-000106	R-CHIP;220Kohm,5%,1/16W,DA,TP,1608
....4	R105	2007-000416	R-CHIP;15ohm,5%,1/16W,DA,TP,1608	....4	R208	2007-000106	R-CHIP;220Kohm,5%,1/16W,DA,TP,1608
....4	R106	2007-000072	R-CHIP;47ohm,5%,1/16W,DA,TP,1608	....4	R301	2007-000402	R-CHIP;150ohm,5%,1/16W,DA,TP,1608
....4	R107	2007-000102	R-CHIP;100Kohm,5%,1/16W,DA,TP,1608	....4	R302	2007-000402	R-CHIP;150ohm,5%,1/16W,DA,TP,1608
....4	R108	2007-000084	R-CHIP;4.7Kohm,5%,1/16W,DA,TP,1608	....4	R303	2007-000093	R-CHIP;20Kohm,5%,1/16W,DA,TP,1608
....4	R109	2007-000124	R-CHIP;2.2Kohm,5%,1/16W,DA,TP,1608	....4	R304	2007-000093	R-CHIP;20Kohm,5%,1/16W,DA,TP,1608
....4	R110	2007-000122	R-CHIP;1.2Kohm,5%,1/16W,DA,TP,1608	....4	R305	2007-000078	R-CHIP;1Kohm,5%,1/16W,DA,TP,1608
....4	R111	2007-000381	R-CHIP;13Kohm,5%,1/16W,DA,TP,1608	....4	R306	2007-000704	R-CHIP;3.6Kohm,5%,1/16W,DA,TP,1608
....4	R112	2007-000078	R-CHIP;1Kohm,5%,1/16W,DA,TP,1608	....4	R307	2007-000691	R-CHIP;3.3Mohm,5%,1/16W,DA,TP,1608
....4	R113	2007-000099	R-CHIP;62Kohm,5%,1/16W,DA,TP,1608	....4	R308	2007-000074	R-CHIP;100ohm,5%,1/16W,DA,TP,1608
....4	R114	2007-000309	R-CHIP;10ohm,5%,1/16W,DA,TP,1608	....4	X101	2801-003860	CRYSTAL-SMD;24MHz,30ppm,28-ABV,20pf,50oh
....4	R116	2007-000078	R-CHIP;1Kohm,5%,1/16W,DA,TP,1608	..2	AA95-00707A	ASSY-PCB,CAPTION;-PCL545R,P54A	
....4	R117	2007-000078	R-CHIP;1Kohm,5%,1/16W,DA,TP,1608	..3	BK01	AA61-10068A	BRACKET-PCB;M2160,SFTE,T0.3,-,-,-,-
....4	R118	2007-000078	R-CHIP;1Kohm,5%,1/16W,DA,TP,1608	..3	CNC01	3711-002709	CONNECTOR-HEADER;NOWALL,12P,1R,2.5MM,ANG
....4	R119	2007-000078	R-CHIP;1Kohm,5%,1/16W,DA,TP,1608	..3	CNC02	3711-002708	CONNECTOR-HEADER;NOWALL,10P,1R,2.5MM,ANG
....4	R120	2007-000074	R-CHIP;100ohm,5%,1/16W,DA,TP,1608	..3	ICC01	1204-001718	IC-DECODER;Z86129,DIP,18P,300MIL,PLASTIC
....4	R121	2007-000075	R-CHIP;220ohm,5%,1/16W,DA,TP,1608	..3	ICC02	1001-001083	IC-VIDEO SWITCH;NJM2248D,-,DIP,8P,300MIL
....4	R122	2007-000078	R-CHIP;1Kohm,5%,1/16W,DA,TP,1608	..3	ICC03	1001-001083	IC-VIDEO SWITCH;NJM2248D,-,DIP,8P,300MIL
....4	R124	2007-000078	R-CHIP;1Kohm,5%,1/16W,DA,TP,1608	..3	PCB	AA41-00337A	PCB-CAPTION;PCL545R,FR-1,1L,A,1.6T,245X2



Loc. No.	Code No.	Description ; Specification	Remark	Loc. No.	Code No.	Description ; Specification	Remark
...4	R958	2007-000074	R-CHIP;100ohm,5%,1/16W,DA,TP,1608	...	RZ109	2001-000221	R-CARBON;1.2KOHM,5%,1/8W,AA,TP,1.8X3.2M
...4	R959	2007-000074	R-CHIP;100ohm,5%,1/16W,DA,TP,1608	...	RZ110	2001-001100	R-CARBON(S);2.70HM,5%,1/2W,AA,TP,2.4X6.4
...4	R960	2007-000074	R-CHIP;100ohm,5%,1/16W,DA,TP,1608	...	RZ111	2003-000713	R-METAL OXIDE(S);47ohm,5%,2W,AF,TP,4x12m
...4	R961	2007-000084	R-CHIP;4.7Kohm,5%,1/16W,DA,TP,1608	...	RZ112	2003-002157	R-METAL OXIDE;2200HM,5%,2W,AG,TP,6X16MM
...4	R962	2007-000098	R-CHIP;56Kohm,5%,1/16W,DA,TP,1608	...	RZ113	2003-002157	R-METAL OXIDE;2200HM,5%,2W,AG,TP,6X16MM
...4	R963	2007-000082	R-CHIP;3.3Kohm,5%,1/16W,DA,TP,1608	...	RZ114	2003-000532	R-METAL OXIDE(S);18ohm,5%,2W,AF,TP,4x12m
...4	R964	2007-000084	R-CHIP;4.7Kohm,5%,1/16W,DA,TP,1608	...	RZ115	2001-000832	R-CARBON;5100HM,5%,1/8W,AA,TP,1.8X3.2MM
...4	R965	2007-000084	R-CHIP;4.7Kohm,5%,1/16W,DA,TP,1608	...	RZ116	2001-000331	R-CARBON;12KOHM,5%,1/8W,AA,TP,1.8X3.2MM
...4	R967	2007-000078	R-CHIP;1Kohm,5%,1/16W,DA,TP,1608	...	RZ117	2001-000258	R-CARBON;1.8KOHM,5%,1/8W,AA,TP,1.8X3.2M
...4	R968	2007-000078	R-CHIP;1Kohm,5%,1/16W,DA,TP,1608	...	RZ118	2001-000258	R-CARBON;1.8KOHM,5%,1/8W,AA,TP,1.8X3.2M
...4	R969	2007-000084	R-CHIP;4.7Kohm,5%,1/16W,DA,TP,1608	...	RZ119	2001-000554	R-CARBON;2700HM,5%,1/8W,AA,TP,1.8X3.2MM
...4	R971	2007-000086	R-CHIP;5.6Kohm,5%,1/16W,DA,TP,1608	...	RZ121	2001-000666	R-CARBON;330HM,5%,1/8W,AA,TP,1.8X3.2MM
...4	R972	2007-000070	R-CHIP;0ohm,5%,1/16W,DA,TP,1608	...	RZ122	2001-000019	R-CARBON(S);100HM,5%,1/2W,AA,TP,2.4X6.4M
...4	R973	2007-000084	R-CHIP;4.7Kohm,5%,1/16W,DA,TP,1608	...	RZ123	2003-002157	R-METAL OXIDE;2200HM,5%,2W,AG,TP,6X16MM
...4	R974	2007-000078	R-CHIP;1Kohm,5%,1/16W,DA,TP,1608	..	6003-001023	SCREW-TAPTITE;RW,+.B,M3,L10,ZPC(YEL),SW	
...4	R976	2007-000078	R-CHIP;1Kohm,5%,1/16W,DA,TP,1608	..	3301-001201	CORE-FERRITE;AE,21x11x32mm,1500,280G	
...4	R977	2007-000305	R-CHIP;10Kohm,5%,1/16W,DA,TP,1608				
...4	R978	2007-000090	R-CHIP;10Kohm,5%,1/16W,DA,TP,1608				
...4	R981	2007-000122	R-CHIP;1.2Kohm,5%,1/16W,DA,TP,1608				
...4	R982	2007-000122	R-CHIP;1.2Kohm,5%,1/16W,DA,TP,1608				
...4	R983	2007-000122	R-CHIP;1.2Kohm,5%,1/16W,DA,TP,1608				

**ASSY-PCB,V/M**

1	*AA95-00714B	ASSY-PCB,V/M;DP;PCL545R,P54A	
..2	CNZ101	AA39-20055E	LEAD CONNECTOR-ASSY;.6PYBNH025-06,67096
..2	PCB	AA41-00344A	PCB-VM;PCL545R,FR-1,1L,A,1.6T,245X245
..2	OZ101	AA96-50162F	ASSY-H/S;-;POWER,AA62-30013E,2SA1011,30
...3		0502-000131	TR-POWER;2SA1011-D,PNP,1.2W,TO-220,-,60
...3		6003-000333	SCREW-TAPTITE;RH,+.2S,M3,L10,ZPC(YEL),SW
...3		AA62-30013E	HEAT-SINK,ES;-;A6063 EXTR,-,-,30(21) T02
..2	OZ102	AA96-50162G	ASSY-H/S;-;AMP,AA62-30013E,2SC2344,30MM
...3		0502-000153	TR-POWER;2SC2344-D,NPN,1.2W,TO-220,-,60
...3		6003-000333	SCREW-TAPTITE;RH,+.2S,M3,L10,ZPC(YEL),SW
...3		AA62-30013E	HEAT-SINK,ES;-;A6063 EXTR,-,-,30(21) T02
..2	RZ120	2008-001097	R-FUSIBLE(S);330HM,5%,1/2W,AC,BK,2.5X6.5
..2		0202-000187	SOLDER-WIRE FLUX;-;RS60S,D1.2.63Sn/37Pb
..2		AA33-00008A	MAGNET CONVERGENCE;JH92LTU-36A,7inchPRT,
..2	AA99-20091T	ASSY-PCB SUB,AUTO; AA95-00714B ,V	S.N.A
...3	CNZ102	3711-002642	CONNECTOR-HEADER;BOX,3P,1R,2.5MM,STRAIGH
...3	CNZ103	3711-002642	CONNECTOR-HEADER;BOX,3P,1R,2.5MM,STRAIGH
...3	CNZ104	3711-002642	CONNECTOR-HEADER;BOX,3P,1R,2.5MM,STRAIGH
...3	CZ101	2401-002144	C-AL;47uF,20%,16V,GP,TP,5x11,5
...3	CZ102	2401-001157	C-AL;33uF,20%,160V,GP,TP,12.5x20,5
...3	CZ103	2201-000516	C-CERAMIC,DISC;4.7nF,+100-0%,500V,Y5U,TP
...3	CZ104	2201-000193	C-CERAMIC,DISC;0.01nF,0.25pF,50V,NP0,TP
...3	CZ105	2201-000516	C-CERAMIC,DISC;4.7nF,+100-0%,500V,Y5U,TP
...3	CZ106	2201-000193	C-CERAMIC,DISC;0.01nF,0.25pF,50V,NP0,TP
...3	CZ107	2401-001513	C-AL;47uF,20%,16V,WT,TP,5x11,5
...3	CZ108	2401-001220	C-AL;4.7uF,20%,160V,GP,TP,8x11,5,5
...3	CZ109	2401-001220	C-AL;4.7uF,20%,160V,GP,TP,8x11,5,5
...3	CZ110	2201-000604	C-CERAMIC,DISC;0.056nF,+100-0%,500V,SL,T
...3	CZ111	2401-000480	C-AL;10uF,20%,50V,GP,TP,5x11,5
...3	CZ112	2401-000832	C-AL;220uF,20%,25V,GP,TP,8x11,5,5
...3	DZ101	0402-000546	DIODE-RECTIFIER;TVR10G,400V,1.0A,DO-41,T
...3	DZ102	0401-000005	DIODE-SWITCHING;1N4148,100V,200mA,DO-35,
...3	DZ103	0402-000546	DIODE-RECTIFIER;TVR10G,400V,1.0A,DO-41,T
...3	DZ104	0402-000546	DIODE-RECTIFIER;TVR10G,400V,1.0A,DO-41,T
...3	DZ105	0401-000005	DIODE-SWITCHING;1N4148,100V,200mA,DO-35,
...3	DZ106	0401-000005	DIODE-SWITCHING;1N4148,100V,200mA,DO-35,
...3	LZ101	2701-000002	INDUCTOR-AXIAL;100uH,10%,4.2x9.8mm
...3	OZ103	0501-000283	TR-SMALL SIGNAL;KSA539,PNP,400mW,TO-92,T
...3	OZ104	0501-000389	TR-SMALL SIGNAL;KSC815,NPN,400mW,TO-92,T
...3	OZ105	0501-000389	TR-SMALL SIGNAL;KSC815,NPN,400mW,TO-92,T
...3	OZ106	0501-000389	TR-SMALL SIGNAL;KSC815,NPN,400mW,TO-92,T
...3	RFZ101	2008-001086	R-FUSIBLE(S);3.3ohm,5%,2W,AG,TP,3.9x12mm
...3	RZ101	2001-000241	R-CARBON;1.5KOHM,5%,1/8W,AA,TP,1.8X3.2M
...3	RZ102	2001-000221	R-CARBON;1.2KOHM,5%,1/8W,AA,TP,1.8X3.2M
...3	RZ103	2003-000713	R-METAL OXIDE(S);47ohm,5%,2W,AF,TP,4x12m
...3	RZ104	2001-001100	R-CARBON(S);2.70HM,5%,1/2W,AA,TP,2.4X6.4
...3	RZ105	2001-001139	R-CARBON(S);39KOHM,5%,1/2W,AA,TP,2.4X6.4
...3	RZ106	2001-001139	R-CARBON(S);39KOHM,5%,1/2W,AA,TP,2.4X6.4
...3	RZ107	2001-000331	R-CARBON;12KOHM,5%,1/8W,AA,TP,1.8X3.2MM
...3	RZ108	2001-000241	R-CARBON;1.5KOHM,5%,1/8W,AA,TP,1.8X3.2M

**ASSY-PCB,TERMINAL**

1	*AA95-00716A	ASSY-PCB,TERMINAL;PCL545R,P54A	
..2	CNT01	3711-003630	CONNECTOR-HEADER;BOX,32P,2R,2.54mm,ANGLE
..2	CNT02	3711-003630	CONNECTOR-HEADER;BOX,32P,2R,2.54mm,ANGLE
..2	CNV01	3711-003601	CONNECTOR-HEADER;BOX,12P,1R,2.5mm,ANGLE,
..2	IC703	0904-001121	IC-I/O SUPPORT CHIP;8574,8BIT,DIP,16P,30
..2	IC705	0801-000213	IC-CMOS LOGIC;4052,MULTIPLEXER,DIP,16P,3
..2	ICD01	1204-001510	IC-SEPARATOR;EL4583CN,DIP,16P,-,PLASTIC,
..2	ICD02	0801-000284	IC-CMOS LOGIC;4528,MULTIVIBRATOR,DIP,16P
..2	ICD03	1204-001510	IC-SEPARATOR;EL4583CN,DIP,16P,-,PLASTIC,
..2	JKV02	3722-001039	JACK-RCA;9P,3.4mm,SN,BLK,#16-22
..2	JKV03	3722-001382	JACK-RCA;5P,9P,3.4MM,NI,R/W/G/BLUE,-
..2	JKV04	3722-001382	JACK-RCA;5P,9P,3.4MM,NI,R/W/G/BLUE,-
..2	JKV08	3722-000544	JACK-VHS;4P,11.5mm,AG,BLK,NA
..2	RD18	2001-000954	R-CARBON;750KOHM,5%,1/8W,AA,TP,1.8X3.2M
..2		0202-001167	SOLDER-CREAM;RX3603-2330HO,S45A,PASTE,SN
..2		0202-000187	SOLDER-WIRE FLUX;-;RS60S,D1.2.63Sn/37Pb
..2	AA99-20091R	ASSY-PCB SUB,AUTO; AA95-00716A ,V	S.N.A
...3	C701	2401-002009	C-AL;100uF,20%,16V,GP,TP,6.3x7,5
...3	C702	2203-000181	C-CERAMIC,CHIP;100nF,+80-20%,25V,Y5V,TP,
...3	C704	2203-000815	C-CERAMIC,CHIP;0.033nF,5%,50V,NP0,TP,160
...3	C705	2203-000815	C-CERAMIC,CHIP;0.033nF,5%,50V,NP0,TP,160
...3	C706	2203-000975	C-CERAMIC,CHIP;47nF,10%,25V,X7R,TP,1608,
...3	C707	2203-000975	C-CERAMIC,CHIP;47nF,10%,25V,X7R,TP,1608,
...3	C708	2203-000975	C-CERAMIC,CHIP;47nF,10%,25V,X7R,TP,1608,
...3	C709	2203-000975	C-CERAMIC,CHIP;47nF,10%,25V,X7R,TP,1608,
...3	C710	2203-000975	C-CERAMIC,CHIP;47nF,10%,25V,X7R,TP,1608,
...3	C711	2203-000975	C-CERAMIC,CHIP;47nF,10%,25V,X7R,TP,1608,
...3	C712	2203-000181	C-CERAMIC,CHIP;100nF,+80-20%,25V,Y5V,TP,
...3	C713	2203-000975	C-CERAMIC,CHIP;47nF,10%,25V,X7R,TP,1608,
...3	C714	2203-000975	C-CERAMIC,CHIP;47nF,10%,25V,X7R,TP,1608,
...3	C715	2203-000975	C-CERAMIC,CHIP;47nF,10%,25V,X7R,TP,1608,
...3	C716	2401-002009	C-AL;100uF,20%,16V,GP,TP,6.3x7,5
...3	C717	2203-000181	C-CERAMIC,CHIP;100nF,+80-20%,25V,Y5V,TP,
...3	C718	2203-000975	C-CERAMIC,CHIP;47nF,10%,25V,X7R,TP,1608,
...3	C719	2203-000975	C-CERAMIC,CHIP;47nF,10%,25V,X7R,TP,1608,
...3	C720	2203-000975	C-CERAMIC,CHIP;47nF,10%,25V,X7R,TP,1608,
...3	C721	2203-000975	C-CERAMIC,CHIP;47nF,10%,25V,X7R,TP,1608,
...3	C722	2203-000975	C-CERAMIC,CHIP;47nF,10%,25V,X7R,TP,1608,
...3	C723	2203-000181	C-CERAMIC,CHIP;100nF,+80-20%,25V,Y5V,TP,
...3	C724	2203-000975	C-CERAMIC,CHIP;47nF,10%,25V,X7R,TP,1608,
...3	C727	2203-000975	C-CERAMIC,CHIP;47nF,10%,25V,X7R,TP,1608,
...3	C730	2401-002299	C-AL;4.7uF,20%,50V,GP,TP,5x7,5
...3	C731	2401-002299	C-AL;4.7uF,20%,50V,GP,TP,5x7,5
...3	C732	2203-000440	C-CERAMIC,CHIP;1nF,10%,50V,X7R,TP,1608,-
...3	C733	2203-000440	C-CERAMIC,CHIP;1nF,10%,50V,X7R,TP,1608,-
...3	C734	2203-000440	C-CERAMIC,CHIP;1nF,10%,50V,X7R,TP,1608,-
...3	C735	2203-000440	C-CERAMIC,CHIP;1nF,10%,50V,X7R,TP,1608,-
...3	C736	2203-000440	C-CERAMIC,CHIP;1nF,10%,50V,X7R,TP,1608,-
...3	C737	2203-000440	C-CERAMIC,CHIP;1nF,10%,50V,X7R,TP,1608,-
...3	C738	2401-002009	C-AL;100uF,20%,16V,GP,TP,6.3x7,5
...3	C739	2203-000181	C-CERAMIC,CHIP;100nF,+80-20%,25V,Y5V,TP,
...3	C740	2401-002009	C-AL;100uF,20%,16V,GP,TP,6.3x7,5
...3	C741	2203-000181	C-CERAMIC,CHIP;100nF,+80-20%,25V,Y5V,TP,
...3	C760	2401-000667	C-AL;2.2uF,20%,50V,WT,TP,5x11,5
...3	C761	2401-000667	C-AL;2.2uF,20%,50V,WT,TP,5x11,5

Loc. No.	Code No.	Description ; Specification	Remark	Loc. No.	Code No.	Description ; Specification	Remark
...3	C762	2401-000667	C-AL;2.2uF,20%,50V,WT,TP,5x11,5	...3	R722	2007-001167	R-CHIP;75ohm,5%,1/16W,DA,TP,1608
...3	C763	2401-000667	C-AL;2.2uF,20%,50V,WT,TP,5x11,5	...3	R723	2007-000074	R-CHIP;100ohm,5%,1/16W,DA,TP,1608
...3	C764	2401-000667	C-AL;2.2uF,20%,50V,WT,TP,5x11,5	...3	R724	2007-000074	R-CHIP;100ohm,5%,1/16W,DA,TP,1608
...3	C765	2401-000667	C-AL;2.2uF,20%,50V,WT,TP,5x11,5	...3	R725	2007-001167	R-CHIP;75ohm,5%,1/16W,DA,TP,1608
...3	C766	2401-000667	C-AL;2.2uF,20%,50V,WT,TP,5x11,5	...3	R726	2007-001167	R-CHIP;75ohm,5%,1/16W,DA,TP,1608
...3	C767	2401-000667	C-AL;2.2uF,20%,50V,WT,TP,5x11,5	...3	R727	2007-001167	R-CHIP;75ohm,5%,1/16W,DA,TP,1608
...3	C768	2203-000975	C-CERAMIC,CHIP;47nF,10%,25V,X7R,TP,1608,	...3	R728	2007-001167	R-CHIP;75ohm,5%,1/16W,DA,TP,1608
...3	C769	2203-000975	C-CERAMIC,CHIP;47nF,10%,25V,X7R,TP,1608,	...3	R729	2007-001167	R-CHIP;75ohm,5%,1/16W,DA,TP,1608
...3	C780	2401-002009	C-AL;100uF,20%,16V,GP,TP,6.3x7,5	...3	R734	2007-000097	R-CHIP;47Kohm,5%,1/16W,DA,TP,1608
...3	CD01	2401-002183	C-AL;220uF,20%,16V,GP,TP,8x9,5mm	...3	R735	2007-000097	R-CHIP;47Kohm,5%,1/16W,DA,TP,1608
...3	CD02	2203-000181	C-CERAMIC,CHIP;100nF,+80-20%,25V,Y5V,TP,	...3	R740	2007-000078	R-CHIP;1Kohm,5%,1/16W,DA,TP,1608
...3	CD03	2401-000471	C-AL;10uF,20%,50V,BP,TP,5x11,5mm	...3	R741	2007-000078	R-CHIP;1Kohm,5%,1/16W,DA,TP,1608
...3	CD04	2203-000181	C-CERAMIC,CHIP;100nF,+80-20%,25V,Y5V,TP,	...3	R742	2007-000078	R-CHIP;1Kohm,5%,1/16W,DA,TP,1608
...3	CD05	2203-000681	C-CERAMIC,CHIP;0.027nF,5%,50V,NPO,TP,160	...3	R743	2007-000078	R-CHIP;1Kohm,5%,1/16W,DA,TP,1608
...3	CD06	2401-000471	C-AL;10uF,20%,50V,BP,TP,5x11,5mm	...3	R744	2007-000078	R-CHIP;1Kohm,5%,1/16W,DA,TP,1608
...3	CD07	2203-000181	C-CERAMIC,CHIP;100nF,+80-20%,25V,Y5V,TP,	...3	R745	2007-000078	R-CHIP;1Kohm,5%,1/16W,DA,TP,1608
...3	CD08	2203-000181	C-CERAMIC,CHIP;100nF,+80-20%,25V,Y5V,TP,	...3	R748	2007-000084	R-CHIP;4.7Kohm,5%,1/16W,DA,TP,1608
...3	CD09	2203-000440	C-CERAMIC,CHIP;1nF,10%,50V,X7R,TP,1608,-	...3	R749	2007-000100	R-CHIP;68Kohm,5%,1/16W,DA,TP,1608
...3	CD10	2203-000257	C-CERAMIC,CHIP;10nF,10%,50V,X7R,TP,1608	...3	R750	2007-000100	R-CHIP;68Kohm,5%,1/16W,DA,TP,1608
...3	CD11	2401-000404	C-AL;10uF,20%,16V,BP,TP,5x11,5	...3	R751	2007-000100	R-CHIP;68Kohm,5%,1/16W,DA,TP,1608
...3	CD12	2401-000404	C-AL;10uF,20%,16V,BP,TP,5x11,5	...3	R752	2007-000100	R-CHIP;68Kohm,5%,1/16W,DA,TP,1608
...3	CD13	2203-000181	C-CERAMIC,CHIP;100nF,+80-20%,25V,Y5V,TP,	...3	R753	2007-000329	R-CHIP;11Kohm,5%,1/16W,DA,TP,1608
...3	CD14	2203-000181	C-CERAMIC,CHIP;100nF,+80-20%,25V,Y5V,TP,	...3	R754	2007-000329	R-CHIP;11Kohm,5%,1/16W,DA,TP,1608
...3	CD15	2203-000181	C-CERAMIC,CHIP;100nF,+80-20%,25V,Y5V,TP,	...3	R755	2007-000100	R-CHIP;68Kohm,5%,1/16W,DA,TP,1608
...3	CD16	2401-000471	C-AL;10uF,20%,50V,BP,TP,5x11,5mm	...3	R756	2007-000100	R-CHIP;68Kohm,5%,1/16W,DA,TP,1608
...3	CD17	2401-000471	C-AL;10uF,20%,50V,BP,TP,5x11,5mm	...3	R757	2007-000100	R-CHIP;68Kohm,5%,1/16W,DA,TP,1608
...3	CD18	2203-000681	C-CERAMIC,CHIP;0.027nF,5%,50V,NPO,TP,160	...3	R758	2007-000100	R-CHIP;68Kohm,5%,1/16W,DA,TP,1608
...3	IC701	1001-001030	IC-VIDEO SWITCH;TDA6920X,-,SOP,28P,300MI	...3	R759	2007-000084	R-CHIP;4.7Kohm,5%,1/16W,DA,TP,1608
...3	IC702	1001-001030	IC-VIDEO SWITCH;TDA6920X,-,SOP,28P,300MI	...3	R760	2007-000074	R-CHIP;100ohm,5%,1/16W,DA,TP,1608
...3	L701	2702-001094	INDUCTOR-RADIAL;10uH,10%,6x4mm	...3	R761	2007-000122	R-CHIP;1.2Kohm,5%,1/16W,DA,TP,1608
...3	L702	2702-001094	INDUCTOR-RADIAL;10uH,10%,6x4mm	...3	R762	2007-000074	R-CHIP;100ohm,5%,1/16W,DA,TP,1608
...3	L711	2702-001094	INDUCTOR-RADIAL;10uH,10%,6x4mm	...3	R763	2007-000074	R-CHIP;100ohm,5%,1/16W,DA,TP,1608
...3	L720	2702-001094	INDUCTOR-RADIAL;10uH,10%,6x4mm	...3	R764	2007-000122	R-CHIP;1.2Kohm,5%,1/16W,DA,TP,1608
...3	L721	2702-001094	INDUCTOR-RADIAL;10uH,10%,6x4mm	...3	R765	2007-000074	R-CHIP;100ohm,5%,1/16W,DA,TP,1608
...3	L722	2702-001094	INDUCTOR-RADIAL;10uH,10%,6x4mm	...3	R766	2007-000074	R-CHIP;100ohm,5%,1/16W,DA,TP,1608
...3	L723	2702-001094	INDUCTOR-RADIAL;10uH,10%,6x4mm	...3	R767	2007-000074	R-CHIP;100ohm,5%,1/16W,DA,TP,1608
...3	L724	2702-001094	INDUCTOR-RADIAL;10uH,10%,6x4mm	...3	R768	2007-000074	R-CHIP;100ohm,5%,1/16W,DA,TP,1608
...3	L725	2702-001094	INDUCTOR-RADIAL;10uH,10%,6x4mm	...3	R769	2007-000074	R-CHIP;100ohm,5%,1/16W,DA,TP,1608
...3	L726	2702-001094	INDUCTOR-RADIAL;10uH,10%,6x4mm	...3	R774	2007-001167	R-CHIP;75ohm,5%,1/16W,DA,TP,1608
...3	LD01	2901-000297	FILTER-EMI ON BOARD;-3A,-,-,3.5x5,TP-	...3	R775	2007-000070	R-CHIP;0ohm,5%,1/16W,DA,TP,1608
...3	LD02	2901-000297	FILTER-EMI ON BOARD;-3A,-,-,3.5x5,TP-	...3	R776	2007-001167	R-CHIP;75ohm,5%,1/16W,DA,TP,1608
...3	LD04	2901-000297	FILTER-EMI ON BOARD;-3A,-,-,3.5x5,TP-	...3	R777	2007-001167	R-CHIP;75ohm,5%,1/16W,DA,TP,1608
...3	PCB	AA41-00343A	PCB-TERMINAL;PCL545R,FR-4,2L,A,1.6T,180X	...3	R779	2007-0001167	R-CHIP;75ohm,5%,1/16W,DA,TP,1608
...3	Q701	0501-000727	TR-SMALL SIGNAL;BC848C,NPN,310mW,SOT-23,	...3	R780	2007-000078	R-CHIP;1Kohm,5%,1/16W,DA,TP,1608
...3	Q702	0501-000727	TR-SMALL SIGNAL;BC848C,NPN,310mW,SOT-23,	...3	R788	2007-000078	R-CHIP;1Kohm,5%,1/16W,DA,TP,1608
...3	Q703	0501-000727	TR-SMALL SIGNAL;BC848C,NPN,310mW,SOT-23,	...3	R791	2007-000074	R-CHIP;100ohm,5%,1/16W,DA,TP,1608
...3	Q704	0501-000727	TR-SMALL SIGNAL;BC848C,NPN,310mW,SOT-23,	...3	R792	2007-000074	R-CHIP;100ohm,5%,1/16W,DA,TP,1608
...3	Q705	0501-000727	TR-SMALL SIGNAL;BC848C,NPN,310mW,SOT-23,	...3	R793	2007-000074	R-CHIP;100ohm,5%,1/16W,DA,TP,1608
...3	Q706	0501-000727	TR-SMALL SIGNAL;BC848C,NPN,310mW,SOT-23,	...3	R794	2007-000074	R-CHIP;100ohm,5%,1/16W,DA,TP,1608
...3	Q707	0501-000727	TR-SMALL SIGNAL;BC848C,NPN,310mW,SOT-23,	...3	R795	2007-000070	R-CHIP;0ohm,5%,1/16W,DA,TP,1608
...3	Q711	0501-000727	TR-SMALL SIGNAL;BC848C,NPN,310mW,SOT-23,	...3	R796	2007-000070	R-CHIP;0ohm,5%,1/16W,DA,TP,1608
...3	Q712	0501-000727	TR-SMALL SIGNAL;BC848C,NPN,310mW,SOT-23,	...3	R797	2007-000070	R-CHIP;0ohm,5%,1/16W,DA,TP,1608
...3	Q714	0501-000727	TR-SMALL SIGNAL;BC848C,NPN,310mW,SOT-23,	...3	R820	2007-000070	R-CHIP;0ohm,5%,1/16W,DA,TP,1608
...3	QD01	0501-000344	TR-SMALL SIGNAL;KSC1623-G,NPN,200mW,SOT-	...3	R821	2007-000070	R-CHIP;0ohm,5%,1/16W,DA,TP,1608
...3	QD02	0501-000344	TR-SMALL SIGNAL;KSC1623-G,NPN,200mW,SOT-	...3	R829	2007-000078	R-CHIP;1Kohm,5%,1/16W,DA,TP,1608
...3	QD03	0501-000344	TR-SMALL SIGNAL;KSC1623-G,NPN,200mW,SOT-	...3	R830	2007-001167	R-CHIP;75ohm,5%,1/16W,DA,TP,1608
...3	QD04	0501-000344	TR-SMALL SIGNAL;KSC1623-G,NPN,200mW,SOT-	...3	RD01	2007-000084	R-CHIP;4.7Kohm,5%,1/16W,DA,TP,1608
...3	R701	2007-000074	R-CHIP;100ohm,5%,1/16W,DA,TP,1608	...3	RD02	2007-000084	R-CHIP;4.7Kohm,5%,1/16W,DA,TP,1608
...3	R702	2007-000078	R-CHIP;1Kohm,5%,1/16W,DA,TP,1608	...3	RD03	2007-000094	R-CHIP;22Kohm,5%,1/16W,DA,TP,1608
...3	R703	2007-001167	R-CHIP;75ohm,5%,1/16W,DA,TP,1608	...3	RD04	2007-000096	R-CHIP;30Kohm,5%,1/16W,DA,TP,1608
...3	R704	2007-001157	R-CHIP;750ohm,5%,1/16W,DA,TP,1608	...3	RD05	2007-000078	R-CHIP;1Kohm,5%,1/16W,DA,TP,1608
...3	R705	2007-001167	R-CHIP;75ohm,5%,1/16W,DA,TP,1608	...3	RD06	2007-000090	R-CHIP;10Kohm,5%,1/16W,DA,TP,1608
...3	R706	2007-001167	R-CHIP;75ohm,5%,1/16W,DA,TP,1608	...3	RD07	2007-000106	R-CHIP;220Kohm,5%,1/16W,DA,TP,1608
...3	R707	2007-000084	R-CHIP;4.7Kohm,5%,1/16W,DA,TP,1608	...3	RD08	2007-000090	R-CHIP;10Kohm,5%,1/16W,DA,TP,1608
...3	R708	2007-000074	R-CHIP;100ohm,5%,1/16W,DA,TP,1608	...3	RD09	2007-000087	R-CHIP;6.8Kohm,5%,1/16W,DA,TP,1608
...3	R709	2007-000074	R-CHIP;100ohm,5%,1/16W,DA,TP,1608	...3	RD11	2007-000124	R-CHIP;2.2Kohm,5%,1/16W,DA,TP,1608
...3	R710	2007-000074	R-CHIP;100ohm,5%,1/16W,DA,TP,1608	...3	RD12	2007-000913	R-CHIP;43Kohm,5%,1/16W,DA,TP,1608
...3	R712	2007-000074	R-CHIP;100ohm,5%,1/16W,DA,TP,1608	...3	RD13	2007-000090	R-CHIP;10Kohm,5%,1/16W,DA,TP,1608
...3	R713	2007-000074	R-CHIP;100ohm,5%,1/16W,DA,TP,1608	...3	RD14	2007-000124	R-CHIP;2.2Kohm,5%,1/16W,DA,TP,1608
...3	R714	2007-000074	R-CHIP;100ohm,5%,1/16W,DA,TP,1608	...3	RD15	2007-000097	R-CHIP;47Kohm,5%,1/16W,DA,TP,1608
...3	R715	2007-001167	R-CHIP;75ohm,5%,1/16W,DA,TP,1608	...3	RD16	2007-000090	R-CHIP;10Kohm,5%,1/16W,DA,TP,1608
...3	R716	2007-001167	R-CHIP;75ohm,5%,1/16W,DA,TP,1608	...3	RD17	2007-000090	R-CHIP;10Kohm,5%,1/16W,DA,TP,1608
...3	R717	2007-001167	R-CHIP;75ohm,5%,1/16W,DA,TP,1608	...3	RD19	2007-000084	R-CHIP;4.7Kohm,5%,1/16W,DA,TP,1608
...3	R718	2007-001167	R-CHIP;75ohm,5%,1/16W,DA,TP,1608	...3	RD20	2007-000084	R-CHIP;4.7Kohm,5%,1/16W,DA,TP,1608
...3	R719	2007-001167	R-CHIP;75ohm,5%,1/16W,DA,TP,1608	...3	RD21	2007-000078	R-CHIP;1Kohm,5%,1/16W,DA,TP,1608
...3	R720	2007-000078	R-CHIP;1Kohm,5%,1/16W,DA,TP,1608	...3	RN701	2011-000160	R-NETWORK;1Kohm,5%,1/8W,A,SIP,9P,TP
...3	R721	2007-000074	R-CHIP;100ohm,5%,1/16W,DA,TP,1608	...3	RP784	2007-000070	R-CHIP;0ohm,5%,1/16W,DA,TP,1608

Loc. No.	Code No.	Description ; Specification	Remark
----------	----------	-----------------------------	--------

...3	RY701	2007-001167	R-CHIP;75ohm,5%,1/16W,DA,TP,1608
...3	RY702	2007-001167	R-CHIP;75ohm,5%,1/16W,DA,TP,1608
...3	RY703	2007-001167	R-CHIP;75ohm,5%,1/16W,DA,TP,1608

## ASSY-PCB,INTERFACE

1		*AA95-00968D ASSY-PCB,INTERFACE;DP,PCL6215R,P54A	
..2	CN05	3711-003641	CONNECTOR-HEADER;BOX,12P,1R,2.5mm,STRAIGH
..2	CN09	3711-002646	CONNECTOR-HEADER;BOX,7P,1R,2.5mm,STRAIGH
..2	CNV09	AA39-20029L	LEAD CONNECTOR ASSY;,7P,67096-007,S,800M
..2	IC01	1201-000229	IC-OP AMP;324,DIP,14P,300MIL,QUAD,100V/m
..2	IC02	1002-001256	IC-A/D CONVERTER;AD7823YN,8Bits,DIP,8P,2
..2	IC03	1203-001006	IC-VOLTAGE REGULATOR;78R05,TO-220F,4P,-
..2	PCB	AA41-00397B	PCB-AUTO CONVERGENCE;PCL545R,FR-1,1L,B,1
..2		3301-001201	CORE-FERRITE;AE,21x11x32mm,1500,280G
..2		0202-000187	SOLDER-WIRE FLUX;-RS60S,D1 2.63Sn/37Pb
..2		AA99-20092W	ASSY-PCB SUB,AUTO; AA95-00968D ,V S.N.A
..3	C01	2201-000949	C-CERAMIC,DISC;0.005nF,0.5pF,50V,UJ,TP,4
..3	C02	2201-000949	C-CERAMIC,DISC;0.005nF,0.5pF,50V,UJ,TP,4
..3	C03	2201-000949	C-CERAMIC,DISC;0.005nF,0.5pF,50V,UJ,TP,4
..3	C04	2201-000949	C-CERAMIC,DISC;0.005nF,0.5pF,50V,UJ,TP,4
..3	C05	2401-001495	C-AL;47uF,20%,16V,GP,TP,5x11,5
..3	C06	2201-000119	C-CERAMIC,DISC;100nF,+80-20%,50V,Y5V,TP
..3	C07	2301-000289	C-FILM,PEF;5.6nF,5%,50V,TP,7x6x3,5
..3	C08	2301-000383	C-FILM,PEF;10nF,5%,50V,TP,6x7x3.2mm,5mm
..3	C10	2401-000914	C-AL;22uF,20%,16V,GP,TP,5x11,5
..3	C11	2401-001495	C-AL;47uF,20%,16V,GP,TP,5x11,5
..3	C12	2201-000119	C-CERAMIC,DISC;100nF,+80-20%,50V,Y5V,TP
..3	C13	2401-001495	C-AL;47uF,20%,16V,GP,TP,5x11,5
..3	C14	2201-000119	C-CERAMIC,DISC;100nF,+80-20%,50V,Y5V,TP
..3	C15	2401-000287	C-AL;100uF,20%,16V,WT,TP,6.3x11,5
..3	C16	2201-000119	C-CERAMIC,DISC;100nF,+80-20%,50V,Y5V,TP
..3	D05	0401-000005	DIODE-SWITCHING;1N4148,100V,200mA,DO-35,
..3	DZ01	0403-000510	DIODE-ZENER;MTZJ6.2B,6.2V,5.96-6.27V,500
..3	DZ02	0403-000510	DIODE-ZENER;MTZJ6.2B,6.2V,5.96-6.27V,500
..3	DZ03	0403-000510	DIODE-ZENER;MTZJ6.2B,6.2V,5.96-6.27V,500
..3	DZ04	0403-000510	DIODE-ZENER;MTZJ6.2B,6.2V,5.96-6.27V,500
..3	DZ05	0403-000510	DIODE-ZENER;MTZJ6.2B,6.2V,5.96-6.27V,500
..3	DZ06	0403-000510	DIODE-ZENER;MTZJ6.2B,6.2V,5.96-6.27V,500
..3	DZ07	0403-000510	DIODE-ZENER;MTZJ6.2B,6.2V,5.96-6.27V,500
..3	DZ08	0403-000510	DIODE-ZENER;MTZJ6.2B,6.2V,5.96-6.27V,500
..3	DZ09	0403-000508	DIODE-ZENER;MTZJ5.6B,5.6V,5.45-5.73V,500
..3	DZ10	0403-000510	DIODE-ZENER;MTZJ6.2B,6.2V,5.96-6.27V,500
..3	DZ11	0403-000510	DIODE-ZENER;MTZJ6.2B,6.2V,5.96-6.27V,500
..3	DZ12	0403-000510	DIODE-ZENER;MTZJ6.2B,6.2V,5.96-6.27V,500
..3	DZ13	0403-000510	DIODE-ZENER;MTZJ6.2B,6.2V,5.96-6.27V,500
..3	EF01	2901-000297	FILTER-EMI ON BOARD;-3A,-,-3.5x5,TP,-
..3	EF02	2901-000297	FILTER-EMI ON BOARD;-3A,-,-3.5x5,TP,-
..3	EF03	2901-000297	FILTER-EMI ON BOARD;-3A,-,-3.5x5,TP,-
..3	EF04	2901-000297	FILTER-EMI ON BOARD;-3A,-,-3.5x5,TP,-
..3	EF05	2901-000297	FILTER-EMI ON BOARD;-3A,-,-3.5x5,TP,-
..3	EF06	2901-000297	FILTER-EMI ON BOARD;-3A,-,-3.5x5,TP,-
..3	EF07	2901-000297	FILTER-EMI ON BOARD;-3A,-,-3.5x5,TP,-
..3	EF08	2901-000297	FILTER-EMI ON BOARD;-3A,-,-3.5x5,TP,-
..3	EF09	2901-000297	FILTER-EMI ON BOARD;-3A,-,-3.5x5,TP,-
..3	EF10	2901-000297	FILTER-EMI ON BOARD;-3A,-,-3.5x5,TP,-
..3	EF11	2901-000297	FILTER-EMI ON BOARD;-3A,-,-3.5x5,TP,-
..3	EF12	2901-000297	FILTER-EMI ON BOARD;-3A,-,-3.5x5,TP,-
..3	L01	2701-000115	INDUCTOR-AXIAL;10uH,10%,3x7mm
..3	Q05	0501-000389	TR-SMALL SIGNAL;KSC815,NPN,400mW,TO-92,T
..3	R13	2001-000290	R-CARBON;10KOHM,5%,1/8W,AA,TP,1.8X3.2MM
..3	R14	2001-000290	R-CARBON;10KOHM,5%,1/8W,AA,TP,1.8X3.2MM
..3	R15	2001-000290	R-CARBON;10KOHM,5%,1/8W,AA,TP,1.8X3.2MM
..3	R16	2001-000290	R-CARBON;10KOHM,5%,1/8W,AA,TP,1.8X3.2MM
..3	R17	2001-000302	R-CARBON;100HM,5%,1/8W,AA,TP,1.8X3.2MM
..3	R18	2001-000302	R-CARBON;100HM,5%,1/8W,AA,TP,1.8X3.2MM
..3	R19	2001-000645	R-CARBON;330KOHM,5%,1/8W,AA,TP,1.8X3.2M
..3	R20	2001-000645	R-CARBON;330KOHM,5%,1/8W,AA,TP,1.8X3.2M
..3	R21	2001-000645	R-CARBON;330KOHM,5%,1/8W,AA,TP,1.8X3.2M
..3	R22	2001-000645	R-CARBON;330KOHM,5%,1/8W,AA,TP,1.8X3.2M
..3	R23	2001-000281	R-CARBON;1000HM,5%,1/8W,AA,TP,1.8X3.2MM
..3	R24	2001-000281	R-CARBON;1000HM,5%,1/8W,AA,TP,1.8X3.2MM
..3	R25	2001-000290	R-CARBON;10KOHM,5%,1/8W,AA,TP,1.8X3.2MM
..3	R26	2001-000290	R-CARBON;10KOHM,5%,1/8W,AA,TP,1.8X3.2MM

Loc. No.	Code No.	Description ; Specification	Remark
----------	----------	-----------------------------	--------

...3	R27	2001-000290	R-CARBON;10KOHM,5%,1/8W,AA,TP,1.8X3.2MM
...3	R30	2001-000429	R-CARBON;1KOHM,5%,1/8W,AA,TP,1.8X3.2MM
...3	R31	2001-000429	R-CARBON;1KOHM,5%,1/8W,AA,TP,1.8X3.2MM
...3	R32	2001-000734	R-CARBON;4.7KOHM,5%,1/8W,AA,TP,1.8X3.2M
...3	R33	2001-000734	R-CARBON;4.7KOHM,5%,1/8W,AA,TP,1.8X3.2M
...3	R34	2003-002171	R-METAL OXIDE(S);150ohm,5%,2W,AG,TP,3.9x
...3	R35	2001-000281	R-CARBON;1000HM,5%,1/8W,AA,TP,1.8X3.2MM
...3	R36	2001-000210	R-CARBON;0ohm,5%,1/8W,AA,TP,1.8X3.2mm
...3	R37	2001-000302	R-CARBON;100HM,5%,1/8W,AA,TP,1.8X3.2MM
...3	R38	2001-000302	R-CARBON;100HM,5%,1/8W,AA,TP,1.8X3.2MM
...3	R40	2001-000734	R-CARBON;4.7KOHM,5%,1/8W,AA,TP,1.8X3.2M
...3	R41	2001-000429	R-CARBON;1KOHM,5%,1/8W,AA,TP,1.8X3.2MM
...3	R42	2001-000281	R-CARBON;1000HM,5%,1/8W,AA,TP,1.8X3.2MM

## ASSY POWER CORD

△ 1		*AA96-00156D ASSY POWER CORD;-EP2/YES(US),H/C 200MM,
..2		AA61-20284A HOLDER;-P-CORD,PP,VO,BLK,KE-002
..2		AA39-10007Y POWER-CORD;-EP2/YES,SPT-2 18AWGx2C,2.4m
..2		3811-000401 WIRE-PVC CU;BCWA,300V,ROLL,17/0.16mm,#22
..2		3301-001201 CORE-FERRITE;AE,21x11x32mm,1500,280G

## ASSY SPEAKER

1		*AA96-00428A ASSY SPEAKER;-,-,-,20W(3001-000153),8 OH
..2		3001-000153 SPEAKER;20W,8ohm,93dB,1.3KHz
..2		3001-000176 SPEAKER;30W,8ohm,93dB,65Hz
..2		AA39-00042C LEAD CONNECTOR-ASSY;,1.75UF,REC,REC,350M
..2		AA98-00049B ASSY-LEAD,CON;-LEAD-CON,CORE,AA39-20505
..3		3301-001201 CORE-FERRITE;AE,21x11x32mm,1500,280G

## ASSY-SKD

1		*AA97-01190C ASSY-SKD;,PCL6215R3C/XAA,P54A,CKD S.N.A
..2	D/B	AA26-00101A TRANS FBT;FWZ50A001E,-,-,-,-,-,-,-,-,-,-
..2		3301-001201 CORE-FERRITE;AE,21x11x32mm,1500,280G
..2		AA65-30104B CLAMP-WIRE;NYLON 66,V2,BLK,W2 Z5,ALL MOD
..2		AA26-30006F TRANS-FLYBACK;-FWZ-50A001C,55,30KV
..2		AA39-20577A LEAD CONNECTOR-ASSY;,6(3)P,YFH806-06,800
..2		AA59-00171A MODULE-FOCUS,PACK;SVP-5200,S300-P3,-,-,-
..2		AA65-30018A CLAMP-WIRE;NYLON-66,-,-,DATL-600,DONG-A,

## ASSY ACCESSORY

1		*AA97-01191A ASSY ACCESSORY;,PCL545R3C/XAA,P54A,U.S.A S.N.A
..2		AA69-30009C BAG-SHEET;LDPE,TO.08,W150,L120,-,-,-
..2		AA68-01413A MANUAL USERS;PCL545R,ENG,W/P100(G),2(1),
..2		AA68-01399A MANUAL-GUIDE;,SEA,ENG,W/P 200(G),1,216X1
..2		AA61-20126A HOLDER-LEG;-,-,ABS,HB,BLK,-
..2		AA39-00006A CABLE-RCA;,3000MM

## REMOCON

1		*AA59-00176A REMOCON;-TM63,SHARK,51,L,GRAY,DO,-,-,
..2		2802-000194 RESONATOR-CERAMIC;8MHz,1.0%,TP,8.5x4.5x5
..2		AA09-00051A IC-MCU;Z8618808SSC-R501M,SZTM-822,ST,

## 7-4 HCL552WX/XAA(HCL552WX/XAA and PCL545RX/XAA Dissimilar parts)

Loc. No.	Code No.	Description ; Specification	Remark
----------	----------	-----------------------------	--------

### ASSY CABINET

\*AA90-00119GASSY CABINET;552W,HCL552WX/XAA

	0203-000367	TAPE-CELLULOSE;#430,-,W19,L25,CLR	
	0203-001096	TAPE-CELLULOSE;#301,TO.06,W75,L400,WHT	
	0203-001269	TAPE-OPP MASKING;#301,TO.06,W75,L50000,NTR	
	0203-001279	TAPE-OPP MASKING;#232,TO.14,W15,L50000,YEL	
BM+CBT	6002-000522	SCREW-TAPPING;TH,+,2,M4,L15,ZPC(BLK),SWRCH18	
CM+CF	6002-000522	SCREW-TAPPING;TH,+,2,M4,L15,ZPC(BLK),SWRCH18	
CM+CW	6002-000522	SCREW-TAPPING;TH,+,2,M4,L15,ZPC(BLK),SWRCH18	
DOOR+CF	6002-000522	SCREW-TAPPING;TH,+,2,M4,L15,ZPC(BLK),SWRCH18	
FOCUS+BF	6003-001023	SCREW-TAPTITE;RWH,+,B,M3,L10,ZPC(YEL),SWRCH1	
APR+CW	6005-001003	SCREW-WOOD;HH,+,M4,L19,ZPC(BLK),SWRCH18A	
CBB+CW	6005-001003	SCREW-WOOD;HH,+,M4,L19,ZPC(BLK),SWRCH18A	
CBB+HC	6005-001003	SCREW-WOOD;HH,+,M4,L19,ZPC(BLK),SWRCH18A	
CBB+TBA	6005-001003	SCREW-WOOD;HH,+,M4,L19,ZPC(BLK),SWRCH18A	
CBT+CW	6005-001003	SCREW-WOOD;HH,+,M4,L19,ZPC(BLK),SWRCH18A	
CF+CW	6005-001003	SCREW-WOOD;HH,+,M4,L19,ZPC(BLK),SWRCH18A	
CM+CW	6005-001003	SCREW-WOOD;HH,+,M4,L19,ZPC(BLK),SWRCH18A	
CW+CW	6005-001003	SCREW-WOOD;HH,+,M4,L19,ZPC(BLK),SWRCH18A	
DOOR+CW	6005-001003	SCREW-WOOD;HH,+,M4,L19,ZPC(BLK),SWRCH18A	
HC+CW	6005-001003	SCREW-WOOD;HH,+,M4,L19,ZPC(BLK),SWRCH18A	
HM+CM	6005-001003	SCREW-WOOD;HH,+,M4,L19,ZPC(BLK),SWRCH18A	
LF+CW	6005-001003	SCREW-WOOD;HH,+,M4,L19,ZPC(BLK),SWRCH18A	
BCM+CW	6006-001094	SCREW-ASS'Y WOOD;W,HH,+,M7,L32,ZPC(YEL),SWRCH18A	
AC+BCM	AA60-10011A	SCREW-TAPTITE;SWRCH18A,M4,L12,HH,+,PC,,ZPC(BLK),SW	
BS+CF	AA60-10011A	SCREW-TAPTITE,-,SWRCH18A,M4,L12,HH,+,PC,,ZPC(BLK),S	
	AA61-11021A	BRACKET-MIRROR,T,-,SECC-1,T1.0,-,-,-,-	
	AA61-11022A	BRACKET-MIRROR,S,-,SECC-1,T1.0,-,-,-,-	
	AA61-11023A	BRACKET-SCREEN,T,-,SECC-1,T1.0,-,-,-,-	
	AA61-11024A	BRACKET-SCREEN,S,-,SECC-1,T1.0,-,-,-,-	
	AA63-10007C	BAND-PP,-,-,W18,-,CLEAR,1G	
	AA63-30225A	COVER-WOOD,-,SPT555JHD,-,WOOD,-,-,-,-	
	AA63-70002A	SHEET,-,PE FOAM,T1.0,-,-,-,50G	
	AA64-00624A	CABINET-BACK,BOARD;552W,HARDBOAR,HIPS,VO,BLK,T3.0	
	AA64-31213B	CABINET-BACK,TOP,-,555J,-,HIPS,HB,BLK,-,-	
	AA64-31259A	CASE-MIRROR,-,SPT555JHD,-,WOOD,-,-,-,-	
	AA64-31316B	CABINET-MIDDLE,-,HCH551V,DG-703P,HIPS,HB,BLK,-,-	
	AA64-60449B	INLAY COVER;SP-434JMF,PS,TO.5,149.3X69.5,BLK,-,EXPORT	
	AA64-80052A	LEG-FRONT,-,SPT555JHD,DG703P,HIPS,HB,BLK,-	
	AA67-00053A	SUN SCR.N,HC,-,55W,H/C,A/S,PMMA,T=82%,T2.0,1251*712,	
	AA67-00124A	SCREEN-LENTIULAR;55W,TO.73,1249*710,P=0.52,TINT=10%	
	AA67-00124B	SCREEN-FRESNEL;55W,T2,1251*712	
	AA67-20028A	MIRROR-FRONT;55'W,GLASS,T=3.0,-,FSM,1074*79	
	AA68-00233A	LABEL-WARNING;A/P 90(G),PC,J533R,-,-,-,-	
AP3002	AA68-50509A	LABEL-BOX;A/P 90(G),ALL MODEL,-,WHT,L250	
	AA69-01088A	PALLET-SET;SVP-555JHD,PAPER,1450,750,130	
	AA69-01092A	PACKING CASE-IN;SVP-555JHD,H-3 AB,C3,1110,1816,YEL	
	AA69-10174A	PAD-TYPE;CB DW-2,YEL,1450,240,-,555JH	
	AA69-10175A	PAD-TYPE;CB DW-2,YEL,1500,567,-,555JH	
	AA69-20478A	CUSHION-SET;SPT555JHD,PS,C0.02,-,-,-,-	
	AA69-30036A	BAG-PE;HDPE,TO.02,2000,1800,-,555J,	
	AA69-51216G	PACKING-CASE,OUT;552W,555W SEA NEW,H-3 AB,YEL	

### ASSY CHASSIS PART

\*AA90-00121DASSY CHASSIS PART;P54A,HCL552W

TBA+AV	6003-001019	SCREW-TAPTITE;RH,+,B,M4,L12,ZPC(BLK),SWRCH18	
TBA+HC	6003-001023	SCREW-TAPTITE;RWH,+,B,M3,L10,ZPC(YEL),SWRCH1	
	AA61-00051B	HOLDER-CHASSIS,-,PC,J533R,ABS,VO,GRAY,E-2	

### ASSY TERMINAL BOARD

\*AA91-00594BASSY TERMINAL BOARD;,HIPS,VO,BLK,P54A,HCL552W

AA63-00045B	TERMINAL-BOARD,ANT,-,HIPS,-,PC,J533R,-	
-------------	--	--

Loc. No.	Code No.	Description ; Specification	Remark
----------	----------	-----------------------------	--------

AA64-01709B INLAY BACK;HCL552W,PS SHEET,BLK,P54A SEA

### ASSY-CABINET,WOOD

\*AA91-00692AASSY-CABINET,WOOD;,WOOD,P54A SDE8326R,HCL552W

W-SPK	3001-000153	SPEAKER;20W,8ohm,93dB,1.3KHz	
W-SPK	3001-001116	SPEAKER;30W,8ohm,96dB,60Hz	
	3811-000446	WIRE-PVC CU;TCWA,600V,ROLL,17/0.16mm,#22,B	
	3811-000480	WIRE-PVC CU;BCWA,1KV,ROLL,17/0.16mm,#22,BL	
CAS+CW	6002-000214	SCREW-TAPPING;TH,+,1,M4.0,L16,ZPC(BLK),MSWR1	
	AA39-00042B	LEAD CONNECTOR-ASSY;2.7UF,REC,REC,300MM,1007#22	
CABWOOD	AA60-10050X	SCREW-WOOD;-SWRCH18A,M3.5,L32,PH,+,ZPC(YEL),PRJEC	
BF+CW	AA60-10051A	SCREW-WOOD;-SWRCH18A,M4,L16,PH,+,ZPC(BLK),PRJT	
HCM+CW	AA60-10051A	SCREW-WOOD;-SWRCH18A,M4,L16,PH,+,ZPC(BLK),PRJT	
HL+CW	AA60-10051A	SCREW-WOOD;-SWRCH18A,M4,L16,PH,+,ZPC(BLK),PRJT	
SPK+CW	AA60-10051A	SCREW-WOOD;-SWRCH18A,M4,L16,PH,+,ZPC(BLK),PRJT	
HW+CW	AA60-10051B	SCREW-WOOD;-SWRCH18A,M3.5,L11,RH,+,ZPC(YEL),PRJT	
	AA61-00094F	HOLDER-RAIL,-,65W2DR,ABS,HB,BLK,L185	
	AA61-00097A	HOLDER-WIRE,-,NYLON 6/6,-,NTR,-	
	AA61-10247A	BRACKET-FOCUS;S46DS,SECC,T1.0,-,-,-,-	
	AA61-10387A	BRACKET-GRILLE;SVP-462J,SECC-1,TO.5,-,-,-,-	
	AA61-20136A	HOLDER-MASK,PIN,-,S4388,NYLON,-,BLK,#066	
	AA61-20298A	HOLDER-LEG,-,SPT555JHD,ABS,HB,BLK,-	
	AA61-40019A	BOSS-WOOD,-,ABS,-,-,GRY,VO	
	AA63-60126A	SPACER-FELT;PRJT43,52,FELT,-,-,BLK,T2,-,1160X15	
	AA63-60126B	SPACER-FELT;PRJT52,FELT,-,-,BLK,T2,-,850X15	
	AA64-02007A	CABINET-WOOD;HCL552W,P54A SDE8326R,WOOD	
	AA98-00049B	ASSY-LEAD,CON;-LEAD-CON,CORE,AA39-20505P,-,-	

### ASSY CABINET FRONT

\*AA91-10402KASSY CABINET FRONT;,HCL552W SEA,(SPK)DG703P+BK708P

	0201-000281	ADHESIVE-RBR;D-5250,YEL,6000CPS+-500	
	0203-001166	TAPE-DOUBLE FACE;#4929,TO.64,W7.5,ROLL,BLK	
C/FRONT	0203-001290	TAPE-OPP MASKING;ANT 100C,TO.073,W30,L50M,TRP	
SPK+CF	6002-000522	SCREW-TAPPING;TH,+,2,M4,L15,ZPC(BLK),SWRCH18	
	AA64-31315J	CABINET FRONT;HCL552W SEA,DG703P+BK708P,HIPS,HB,B	
	AA96-10153A	ASSY-SPEAKER;-8ohm,15w,001052,20609A,CEN40	
C-SPK	3001-000151	SPEAKER;20W,8ohm,92dB,130Hz	
	AA39-20609A	LEAD CONNECTOR-ASSY;2P,SMH250-02,REC,400MM,1007#	

### ASSY CABINET BOT

\*AA91-10404EASSY CABINET BOT;,VO BLK,JERSEY SP700N,HCL552W,652

AA60-40009A	PIN-MASK,-,-,-,NYLON66,-	
AA61-20295A	HOLDER-PIN;-SPT555JHD,ABS,HB,BLK,-	
AA64-31212C	CABINET-FRONT,B;HCL552W,SP700N,HIPS,VO,BLK	

### ASSY-DOOR

\*AA95-01155AASSY-DOOR;,HCL652W/552W,P54A

AA91-20071C	ASSY-DOOR,BODY;,P51A,E2,652W,552W		
KF+DB	6003-001023	SCREW-TAPTITE;RWH,+,B,M3,L10,ZPC(YEL),SWRCH1	
K-POWER	AA61-60116A	SPRING-CS,-,SUS304,-,D16,H4,N18,-,-,-	
K-OPEN	AA61-60117A	SPRING-CS,-,SUS304,-,D17,H5.5,N13,-,-,-	
	AA64-10756A	KNOB-POWER;-,-,ABS,HB,GRAY	
	AA64-10757A	KNOB-FAMILY;-,-,ABS,HB,GRAY	
	AA64-10758A	KNOB-OPEN;-,-,ABS,HB,GRAY	
	AA64-50248B	DOOR-BODY;-HCL655W,-,ABS,HB,GRAY,-,-	
	AA64-60434A	INLAY-CONTROL;-,-,PS,TO.3,BLA,-,-	
	AA91-20072B	ASSY-DOOR,SIDE,SILVER,SVP-652WDR	

Loc. No.	Code No.	Description ; Specification	Remark
	0203-001085	TAPE-DOUBLE FACE;#4929,T0.64,W12,-,BLK	
	6003-000333	SCREW-TAPTITE;RH,+2S,M3,L10,ZPC(YEL),SWRCH1	
	AA61-20297A	BASE-WING;-,-,ABS,HB,GRAY,-	
	AA61-40112A	HINGE-DOOR;-,-,HB,GRAY,-,-	
	AA61-60115A	SPRING-PLATE;PS,SK-5,-,-,-,T0.25,SPT555J,	
	AA64-50249A	DOOR-CASE;-,-,ABS,HB,GRAY,-,-	
	AA64-50253B	DOOR-AL;-,-,SVP-65W2DR,SILVER,AL,-,-,T1.0,-	
	0203-001085	TAPE-DOUBLE FACE;#4929,T0.64,W12,-,BLK	
	AA63-30221A	COVER-DOOR;-,-,ABS,HB,GRAY,-,-	
	AA63-30224B	COVER-AL;-,-,SVP-65W2DR,SILVER,AL,-,-,T1.0,-	

### ASSY PCB MAIN(OPT)

\*AA94-03388F ASSY PCB MAIN(OPT);HCL552WX/XAA,P54A,U.S.A

R673A	2001-001142	R-CARBON(S);3KOHM,5%,1/2W,AA,TP,2.4X6.4MM	
CN602	3711-002644	CONNECTOR-HEADER;BOX,5P,1R,2.5mm,STRAIGHT,SN	
J379	3812-000219	WIRE-NO SHEATH CU;TCWA,300V,52mm(TAPING),1/0.6mm	
J382	3812-000219	WIRE-NO SHEATH CU;TCWA,300V,52mm(TAPING),1/0.6mm	
J384	3812-000219	WIRE-NO SHEATH CU;TCWA,300V,52mm(TAPING),1/0.6mm	
J385	3812-000219	WIRE-NO SHEATH CU;TCWA,300V,52mm(TAPING),1/0.6mm	
YY01	AA59-40003P	MODULE-FOCUS,PACK;-,-,F300,NTSC,43,64x62,BK	
BAND	AA60-40011A	EYELET;ID2.0,OD2.8,-,-,BST,-	
WIRE	AA63-10002A	BAND-TIE;-,-,NYLON66 V2,-,-,L100,NTR,-	
	AA65-30018A	CLAMP-WIRE;NYLON-66,-,-,DATL-600,DONG-A,-	
	AA65-30104B	CLAMP-WIRE;NYLON 66,V2,BLK,W2 Z5,ALL MODE	
	AA65-30105B	CLAMP-WIRE;NYLON 66,V2,NTR,25MM,ALL MODEL	
US0174	AA68-00526A	LABEL-RATING;ART PAPER(90), MODEL,LAMINATING,57X52	
C904	2201-000119	C-CERAMIC,DISC;100nF,+80-20%,50V,Y5V,TP,8x3,5	

### ASSY CRT-(R)



\*AA94-03599A ASSY CRT-(R);P16LSG03RJA,+380MG,7,PCL6215R,BARE

AA67-10066A LENS-ASSY;DELTA 37,-,-,CLEAR A/B,-,-,-

### ASSY CRT-(G)



\*AA94-03600A ASSY CRT-(G);P16LSG03HKA,+380MG,7,PCL6215R,BARE

AA67-10066A LENS-ASSY;DELTA 37,-,-,CLEAR A/B,-,-,-

### ASSY CRT-(B)



\*AA94-03601A ASSY CRT-(B);P16LSG03BMB,+380MG,7,PCL6215R,BARE

AA67-10066A LENS-ASSY;DELTA 37,-,-,CLEAR A/B,-,-,-

### ASSY ACCESSORY

\*AA94-03663A ASSY ACCESSORY;HCL552WX/XAA,P54A,U.S.A,SEA

AA68-01509A MANUAL USERS;HCL552W,ENG,W/P100(G),2(1),B5,P54A,68

### ASSY-PCB,CENTER SPK

\*AA95-00307A ASSY-PCB,CENTER SPK;-,-,PCJ552WX/XAA,P51A,-,-,USA

	0202-000008	SOLDER-WIRE;S63S-W3.0,S63S,D3,63Sn/37Pb,-	
	0202-000187	SOLDER-WIRE FLUX;-,-,RS60S,D1.2,63Sn/37Pb	
	0204-000442	SOLVENT;1M-1000,C3H7OH,96,-	
	0204-001024	FLUX;DF-98TVS,-,-,20%,-	
RC601	2001-000052	R-CARBON(S);3.3KOHM,5%,1/2W,AA,TP,2.4X6.4MM	
RC612	2001-001067	R-CARBON(S);11KOHM,5%,1/2W,AA,TP,2.4X6.4MM	
RC613	2001-001067	R-CARBON(S);11KOHM,5%,1/2W,AA,TP,2.4X6.4MM	
RC602	2001-001093	R-CARBON(S);2.2KOHM,5%,1/2W,AA,TP,2.4X6.4MM	
RC605	2001-001093	R-CARBON(S);2.2KOHM,5%,1/2W,AA,TP,2.4X6.4MM	

Loc. No.	Code No.	Description ; Specification	Remark
RC606	2001-001103	R-CARBON(S);20KOHM,5%,1/2W,AA,TP,2.4X6.4MM	
RC611	2001-001108	R-CARBON(S);22KOHM,5%,1/2W,AA,TP,2.4X6.4MM	
RC608	2001-001131	R-CARBON(S);33KOHM,5%,1/2W,AA,TP,2.4X6.4MM	
RC607	2001-001146	R-CARBON(S);4.7OHM,5%,1/2W,AA,TP,2.4X6.4MM	
RC603	2004-001390	R-METAL(S);1Kohm,2%,1/2W,AA,TP,2.4x6.4mm	
RC604	2004-001390	R-METAL(S);1Kohm,2%,1/2W,AA,TP,2.4x6.4mm	
CC607	2301-000192	C-FILM,PEF;1nF,5%,50V,TP,5.3x10mm,5mm	
CC605	2305-000665	C-FILM,MPEF;100nF,5%,63V,TP,7.5x4.0x5.0mm,	
CC606	2305-000665	C-FILM,MPEF;100nF,5%,63V,TP,7.5x4.0x5.0mm,	
CC601	2401-000192	C-AL;1000uF,20%,50V,GP,TP,16x25,7.5	
CC603	2401-000360	C-AL;100uF,20%,50V,GP,TP,8x11,5.5	
CC604	2401-000360	C-AL;100uF,20%,50V,GP,TP,8x11,5.5	
CC602	2401-000480	C-AL;10uF,20%,50V,GP,TP,5x11,5	
CC608	2401-000603	C-AL;1uF,20%,50V,GP,TP,5x11,5	
CCN01	3711-002642	CONNECTOR-HEADER;BOX,3P,1R,2.5mm,STRAIGHT,SN	
CCN03	3711-002643	CONNECTOR-HEADER;BOX,4P,1R,2.5mm,STRAIGHT,SN	
CCN02	3711-002644	CONNECTOR-HEADER;BOX,5P,1R,2.5mm,STRAIGHT,SN	
JC02	3812-000219	WIRE-NO SHEATH CU;TCWA,300V,52mm(TAPING),1/0.6mm	
CCNW02	AA39-20020J	LEAD CONNECTOR-ASSY;5P,67096-005,S,400,1007#26	
CCNW01	AA39-20608A	LEAD CONNECTOR-ASSY;3(2)P,SMP250-02,67096-03,900M	
PCB	AA41-00120A	PCB-CENTER SPK;P51A,1L,FR-1,245X245X1.6T,9A,V-CUT,70X	
EY02	AA60-40011A	EYELET;ID2.0,OD2.8,-,-,BST,-	
EY03	AA60-40011A	EYELET;ID2.0,OD2.8,-,-,BST,-	
EY04	AA60-40011A	EYELET;ID2.0,OD2.8,-,-,BST,-	
	AA63-10002A	BAND-TIE;-,-,NYLON66 V2,-,-,L100,NTR,-	
ICC601	AA68-01082R	LABEL-MODULE;AA95-00307A,A/P90(G),-,-,-,-,-,CENTER SP	
	AA96-50381C	ASSY-H/S;-,-,AA62-30180B,TDA2052,-	
	1201-000348	IC-POWER AMP;2052,HEPTAWA,7P,-,SINGLE,-,PLA	
	6003-000333	SCREW-TAPTITE;RH,+2S,M3,L10,ZPC(YEL),SWRCH1	
	AA62-30180B	HEAT-SINK,ES;-,-,AA6063 EXTR.,2,WHT,70MM,-,-,ANO	

### ASSY-PCB,PRE AMP

\*AA95-00357B ASSY-PCB,PRE AMP;-,-,HCL552WX/XAA,P54A

0202-000008 SOLDER-WIRE;S63S-W3.0,S63S,D3,63Sn/37Pb,-

0204-000442 SOLVENT;1M-1000,C3H7OH,96,-

0204-001024 FLUX;DF-98TVS,-,-,20%,-

RR01 2001-000290 R-CARBON;10KOHM,5%,1/8W,AA,TP,1.8X3.2MM

CR01 2401-001840 C-AL;100uF,20%,16V,GP,TP,6.3x11,5

LR01 2701-000112 INDUCTOR-AXIAL;100uH,10%,3x7mm

CN905 3711-002642 CONNECTOR-HEADER;BOX,3P,1R,2.5mm,STRAIGHT,SN

CN905 AA39-20033K LEAD CONNECTOR-ASSY;3P,67096-003,S,800MM,2547#26

PCB AA41-10436A PCB-PREAMP;SPT51A,1,FR-1,245x245x1.6T

RRM01 AA59-60001Z MODULE-REMOCON;-,-,ORC-638V1/SR-5CP2.38KHz,940n

AA60-10011A SCREW-TAPTITE;-,-,SWRCH18A,M4,L12,HH,PC,-,ZPC(BLK),SW

AA61-00724B BRACKET-RMC;HCL552W,652W,SECC,T1.0

### ASSY-PCB,SUB

\*AA95-00705B ASSY-PCB,SUB;-,-,PCL545R,P54A

R307 2003-001038 R-METAL OXIDE(S);4.7ohm,5%,2W,AF,TP,3.9x10mm

### ASSY-PCB,V/M

\*AA95-00714A ASSY-PCB,V/M;-,-,PCL545R,P54A

3301-001201 CORE-FERRITE;AE,21x11x32mm,1500,280G

### ASSY-PCB,TERMINAL

\*AA95-00715C ASSY-PCB,TERMINAL;-,-,HCL552W,P54A

CNY02 AA39-20052D LEAD CONNECTOR-ASSY;4P,YBNH025-04,YSH025-04,700,1

### ASSY-DOOR

Loc. No.	Code No.	Description ; Specification	Remark	Loc. No.	Code No.	Description ; Specification	Remark
	*AA95-01155AA	SSY-DOOR,-,HCL652W/552W,P54A					
BM+MT PC+DB	0205-000001	GREASE-LITHUM;EM-50L,TEMP[-45-150],D=0.84		SWY02	3404-000178	SWITCH-TACT;12V,50mA,120gf,6x6mm,SPST	
	6001-000057	SCREW-MACHINE;RH,+ ,M3,L6,ZPC(BLK),SWRCH18A,F		SWY03	3404-000178	SWITCH-TACT;12V,50mA,120gf,6x6mm,SPST	
	6003-001023	SCREW-TAPTITE;RWH,+ ,B,M3,L10,ZPC(YEL),SWRCH1		SWY04	3404-000178	SWITCH-TACT;12V,50mA,120gf,6x6mm,SPST	
	6003-001233	SCREW-TAPTITE;PWH,+ ,P,M3,L8,ZPC(BLK),SWCRH18A		SWY05	3404-000178	SWITCH-TACT;12V,50mA,120gf,6x6mm,SPST	
DB+BM DG+BM	6006-000255	SCREW-ASS'Y MACH;WSP,PH,+ ,M3,L6,ZPC(WHT),SWRCH1		SWY06	3404-000178	SWITCH-TACT;12V,50mA,120gf,6x6mm,SPST	
	6044-001028	RING-E;ID3,OD7,TO 6,BLK,SK5		SWY07	3404-000178	SWITCH-TACT;12V,50mA,120gf,6x6mm,SPST	
	AA61-00069A	BRACKET-MOTOR,ASSY;HCH551W,SECC-1+SUM 24L,-,-,-,N		SWY08	3404-000178	SWITCH-TACT;12V,50mA,120gf,6x6mm,SPST	
	AA61-20311A	HOLDER-SHAFT;-,-,POM,M90-44,NAT,P15xH5.5		CNY03	3711-002642	CONNECTOR-HEADER;BOX,3P,1R,2.5mm,STRAIGHT,SN	
	AA61-20312A	HOLDER-CAP;-,-,POM,M90-44,NAT,-		CNY04	3711-002642	CONNECTOR-HEADER;BOX,3P,1R,2.5mm,STRAIGHT,SN	
	AA61-80058A	DAMPER-GEAR,A;-,-,POM,-,-,-,WHT,-,-,-,-,-,-		CNY02	3711-002643	CONNECTOR-HEADER;BOX,4P,1R,2.5mm,STRAIGHT,SN	
	AA61-80059A	DAMPER-GEAR,B;-,-,POM,-,-,-,WHT,-,-,-,-,-,-		JKY01	3722-000544	JACK-VHS;4P,11.5mm,AG,BLK,N	
	AA61-80060A	DAMPER-GEAR,C;-,-,POM,-,-,-,WHT,-,-,-,-,-,-		JKY02	3722-001041	JACK-RCA;1P,3.4mm,#16-22,AU	
	AA61-80061A	DAMPER-GEAR,WARM;-,-,POM,-,-,-,WHT,-,-,-,-,-,-		JKY04	3722-001042	JACK-RCA;1P,3.4mm,#16-22,AU	
	AA63-00129A	SPACER-RUBBER,TOWER;HCH551W,EPDM,BLK,M3 NUT-		JKY03	3722-001043	JACK-RCA;1P,3.4mm,#16-22,AU	
	AA63-10002A	BAND-TIE,-,NYLON66 V2,-,-,-,L100,NTR,-		JY01	3812-000219	WIRE-NO SHEATH CU;TCWA,300V,52mm(TAPING),1/0.6mm	
	AA65-30105C	CLAMP-WIRE;ALL MODEL,NYLON 66,V2,NTR,5MM,-,-,-		JY02	3812-000219	WIRE-NO SHEATH CU;TCWA,300V,52mm(TAPING),1/0.6mm	
	AA68-01087B	LABEL-MODULE;AA95-00364A,A/P90(G),-,-,-,-,-,DOOR,-		JY03	3812-000219	WIRE-NO SHEATH CU;TCWA,300V,52mm(TAPING),1/0.6mm	
	AA91-20071C	ASSY-DOOR,BODY;-,-,P51A E2,652W,552W		JY04	3812-000219	WIRE-NO SHEATH CU;TCWA,300V,52mm(TAPING),1/0.6mm	
	AA91-20072B	ASSY-DOOR,SLIDE;-,-,SILVER,SVP-65W2DR		JY05	3812-000219	WIRE-NO SHEATH CU;TCWA,300V,52mm(TAPING),1/0.6mm	
	AA91-20073B	ASSY-DOOR,COVER;-,-,SILVER,SVP-65W2DR		JY06	3812-000219	WIRE-NO SHEATH CU;TCWA,300V,52mm(TAPING),1/0.6mm	
	AA95-01156A	ASSY-PCB,CONTROL A/V;HCL552WX/XAA,P54A,USA		JY07	3812-000219	WIRE-NO SHEATH CU;TCWA,300V,52mm(TAPING),1/0.6mm	
	AA95-90029A	ASSY-PCB,DOOR SUB;-,-,SPT-555JHD,APT52A,-,-,MVT		JY08	3812-000219	WIRE-NO SHEATH CU;TCWA,300V,52mm(TAPING),1/0.6mm	
	0202-000008	SOLDER-WIRE;S63S-W3.0,S63S,D3,63Sn/37Pb,-		JY09	3812-000219	WIRE-NO SHEATH CU;TCWA,300V,52mm(TAPING),1/0.6mm	
	0202-000187	SOLDER-WIRE FLUX;-,-,RS60S,D1.2,63Sn/37Pb		JY10	3812-000219	WIRE-NO SHEATH CU;TCWA,300V,52mm(TAPING),1/0.6mm	
	0204-000442	SOLVENT;1M-1000,C3H7OH,96,-		JY11	3812-000219	WIRE-NO SHEATH CU;TCWA,300V,52mm(TAPING),1/0.6mm	
	0204-001024	FLUX;DF-98TVS,-,20%,-		JY12	3812-000219	WIRE-NO SHEATH CU;TCWA,300V,52mm(TAPING),1/0.6mm	
DY01	0401-000005	DIODE-SWITCHING;1N4148,100V,200mA,DO-		JY13	3812-000219	WIRE-NO SHEATH CU;TCWA,300V,52mm(TAPING),1/0.6mm	
DY02	0401-000005	DIODE-SWITCHING;1N4148,100V,200mA,DO-35,TP		JY14	3812-000219	WIRE-NO SHEATH CU;TCWA,300V,52mm(TAPING),1/0.6mm	
DZY01	0403-000720	DIODE-ZENER;MTZJ9.1B,9.1V,8.57-9.01V,500mW		JY15	3812-000219	WIRE-NO SHEATH CU;TCWA,300V,52mm(TAPING),1/0.6mm	
QY02	0501-000303	TR-SMALL SIGNAL;KSA733,PNP,250mW,TO-92,TP,120-240		JY16	3812-000219	WIRE-NO SHEATH CU;TCWA,300V,52mm(TAPING),1/0.6mm	
QY01	0504-000123	TR-DIGITAL;KSR1010,NPN,300mW,10K,TO-92,TP		JY17	3812-000219	WIRE-NO SHEATH CU;TCWA,300V,52mm(TAPING),1/0.6mm	
ICY03	0904-001121	IC-I/O SUPPORT CHIP;8574,8BIT,DIP,16P,300MIL,100KH		JY18	3812-000219	WIRE-NO SHEATH CU;TCWA,300V,52mm(TAPING),1/0.6mm	
ICY04	0904-001121	IC-I/O SUPPORT CHIP;8574,8BIT,DIP,16P,300MIL,100KH		JY19	3812-000219	WIRE-NO SHEATH CU;TCWA,300V,52mm(TAPING),1/0.6mm	
ICY01	1003-001090	IC-MOTOR DRIVER;LB1643,SIP,10P,-,SINGLE,1.6A,S		JY20	3812-000219	WIRE-NO SHEATH CU;TCWA,300V,52mm(TAPING),1/0.6mm	
ICY02	1202-000103	IC-VOLTAGE COMP;-,-,393,DIP,8P,300MIL,DUAL,36V,CMO		JY21	3812-000219	WIRE-NO SHEATH CU;TCWA,300V,52mm(TAPING),1/0.6mm	
RY36	2001-000281	R-CARBON;100OHM,5%,1/8W,AA,TP,1.8X3.2MM		JY22	3812-000219	WIRE-NO SHEATH CU;TCWA,300V,52mm(TAPING),1/0.6mm	
RY37	2001-000281	R-CARBON;100OHM,5%,1/8W,AA,TP,1.8X3.2MM		JY23	3812-000219	WIRE-NO SHEATH CU;TCWA,300V,52mm(TAPING),1/0.6mm	
RY43	2001-000281	R-CARBON;100OHM,5%,1/8W,AA,TP,1.8X3.2MM		JY24	3812-000219	WIRE-NO SHEATH CU;TCWA,300V,52mm(TAPING),1/0.6mm	
RY44	2001-000281	R-CARBON;100OHM,5%,1/8W,AA,TP,1.8X3.2MM		CNW902	AA39-00117A	LEAD CONNECTOR-ASSY;11P,YBNH250-11,35155-1100,1000	
RY04	2001-000290	R-CARBON;10KOHM,5%,1/8W,AA,TP,1.8X3.2MM		CNW204	AA39-20159G	LEAD CONNECTOR-ASSY;12P,YBNH250-12,67096-012,1700	
RY07	2001-000290	R-CARBON;10KOHM,5%,1/8W,AA,TP,1.8X3.2MM		AA41-00067C	PCB-CONTROL A/V;HCL552W,FR-1,1L,C,1.6T,3101X140,MC-H		
RY23	2001-000290	R-CARBON;10KOHM,5%,1/8W,AA,TP,1.8X3.2MM		AA63-10002A	BAND-TIE;- ,NYLON66 V2,-,-,-,L100,NTR,-		
RY09	2001-000347	R-CARBON;13KOHM,5%,1/8W,AA,TP,1.8X3.2MM		AA68-01083V	LABEL-MODULE;AA95-00360A,A/P90(G),-,-,-,-,-,CONTROL,-		
RY30	2001-000429	R-CARBON;1KOHM,5%,1/8W,AA,TP,1.8X3.2MM		0202-000008	SOLDER-WIRE;S63S-W3.0,S63S,D3,63Sn/37Pb,-		
RY31	2001-000429	R-CARBON;1KOHM,5%,1/8W,AA,TP,1.8X3.2MM		0202-000187	SOLDER-WIRE FLUX;-,-,RS60S,D1.2,63Sn/37Pb,-		
RY41	2001-000429	R-CARBON;1KOHM,5%,1/8W,AA,TP,1.8X3.2MM		0204-000442	SOLVENT;1M-1000,C3H7OH,96,-		
RY42	2001-000429	R-CARBON;1KOHM,5%,1/8W,AA,TP,1.8X3.2MM		0204-001024	FLUX;DF-98TVS,-,20%,-		
RY47	2001-000429	R-CARBON;1KOHM,5%,1/8W,AA,TP,1.8X3.2MM		QY03	0501-000389	TR-SMALL SIGNAL;KSC815,NPN,400mW,TO-92,TP,120-240	
RY50	2001-000429	R-CARBON;1KOHM,5%,1/8W,AA,TP,1.8X3.2MM		QY04	0501-000389	TR-SMALL SIGNAL;KSC815,NPN,400mW,TO-92,TP,120-240	
RY51	2001-000429	R-CARBON;1KOHM,5%,1/8W,AA,TP,1.8X3.2MM		DY03	0601-000266	LED;CYLINDRICAL,RED,2mm,650nm	
RY34	2001-000449	R-CARBON;2.2KOHM,5%,1/8W,AA,TP,1.8X3.2MM		PY1	0604-000203	PHOTO-INTERRUPTER;TR,-,-,-,ST	
RY08	2001-000539	R-CARBON;24KOHM,5%,1/8W,AA,TP,1.8X3.2MM		PY2	0604-000203	PHOTO-INTERRUPTER;TR,-,-,-,ST	
RY10	2001-000539	R-CARBON;24KOHM,5%,1/8W,AA,TP,1.8X3.2MM		RY16	2001-000290	R-CARBON;10KOHM,5%,1/8W,AA,TP,1.8X3.2MM	
RY02	2001-000633	R-CARBON;30KOHM,5%,1/8W,AA,TP,1.8X3.2MM		RY18	2001-000290	R-CARBON;10KOHM,5%,1/8W,AA,TP,1.8X3.2MM	
RY24	2001-000734	R-CARBON;4.7KOHM,5%,1/8W,AA,TP,1.8X3.2MM		RY19	2001-000290	R-CARBON;10KOHM,5%,1/8W,AA,TP,1.8X3.2MM	
RY35	2001-000734	R-CARBON;4.7KOHM,5%,1/8W,AA,TP,1.8X3.2MM		RY20	2001-000290	R-CARBON;10KOHM,5%,1/8W,AA,TP,1.8X3.2MM	
RY45	2001-000734	R-CARBON;4.7KOHM,5%,1/8W,AA,TP,1.8X3.2MM		RY15	2001-000343	R-CARBON;130OHM,5%,1/8W,AA,TP,1.8X3.2MM	
RY48	2001-000734	R-CARBON;4.7KOHM,5%,1/8W,AA,TP,1.8X3.2MM		RY17	2001-000343	R-CARBON;130OHM,5%,1/8W,AA,TP,1.8X3.2MM	
RY01	2001-000780	R-CARBON;470OHM,5%,1/8W,AA,TP,1.8X3.2MM		JY10	3812-000219	WIRE-NO SHEATH CU;TCWA,300V,52mm(TAPING),1/0.6mm	
RY49	2001-000800	R-CARBON;5.1KOHM,5%,1/8W,AA,TP,1.8X3.2MM		JY11	3812-000219	WIRE-NO SHEATH CU;TCWA,300V,52mm(TAPING),1/0.6mm	
RY32	2001-000924	R-CARBON;680OHM,5%,1/8W,AA,TP,1.8X3.2MM		AA31-10002A	MOTOR-DC;- ,RF370C-15370,8V DC,-		
RY33	2001-000924	R-CARBON;680OHM,5%,1/8W,AA,TP,1.8X3.2MM		CNY02C	AA39-20052C	LEAD CONNECTOR-ASSY;4P,YBNH025-04,YSH025-04,500,10	
RY11	2001-000947	R-CARBON;7.5KOHM,5%,1/8W,AA,TP,1.8X3.2MM		CNY03C	AA39-20057B	LEAD CONNECTOR-ASSY;3(2)P,YBNH025-03,67096-003,500,	
RY12	2003-001091	R-METAL OXIDE(S);10ohm,5%,2W,AF,TP,4x12mm		CNY04C	AA39-20594A	LEAD CONNECTOR-ASSY;3P,67096-003,700MM,1007#28	
RY22	2004-000218	R-METAL;10Kohm,1%,1/8W,AA,TP,1.8x3.2mm		AA41-11051A	PCB-DOOR SUB;APT52A,1L,FR-1,245x245x1.6T,A1		
RY21	2004-000253	R-METAL;11Kohm,1%,1/8W,AA,TP,1.8x3.2mm					
CY01	2301-000383	C-FILM,PEF;10nF,5%,50V,TP,6x7x3.2mm,5mm					
CY03	2306-000122	C-FILM,MPPF;100nF,5%,50V,TP,7.3x4.0x5.0mm,					
CY06	2306-000122	C-FILM,MPPF;100nF,5%,50V,TP,7.3x4.0x5.0mm,					
CY04	2401-000444	C-AL;10uF,20%,25V,GP,TP,5x5mm,5mm					
CY05	2401-000486	C-AL;10uF,20%,50V,GP,TP,6.3x7mm,5					
CY02	2401-001537	C-AL;47uF,20%,25V,GP,TP,6.3x7mm,5mm					
LY01	2701-000115	INDUCTOR-AXIAL;10uH,10%,3x7mm					
	3301-001201	CORE-FERRITE;AE,21x11x32mm,1500,280G					
SWY01	3404-000178	SWITCH-TACT;12V,50mA,120gf,6x6mm,SPST					



## 7-5 HCL5515WX/XAA(HCL5515WX/XAA and PCL545RX/XAA Dissimilar parts)

Loc. No.	Code No.	Description ; Specification	Remark
		<b>ASSY CABINET</b>	
	*AA90-00119H	ASSY CABINET;552W,HCL5515WX/XAA	
	0203-000367	TAPE-CELLULOSE;#430,-,W19,L25,CLR	
	0203-001096	TAPE-CELLULOSE;#301,TO.06,W75,L400,WHT	
	0203-001269	TAPE-OPP MASKING;#301,TO.06,W75,L50000,NTR	
	0203-001279	TAPE-OPP MASKING;#232,TO.14,W15,L50000,YEL	
BM+CBT	6002-000522	SCREW-TAPPING;TH,+,2,M4,L15,ZPC(BLK),SWRCH18	
CM+CF	6002-000522	SCREW-TAPPING;TH,+,2,M4,L15,ZPC(BLK),SWRCH18	
CM+CW	6002-000522	SCREW-TAPPING;TH,+,2,M4,L15,ZPC(BLK),SWRCH18	
DOOR+CF	6002-000522	SCREW-TAPPING;TH,+,2,M4,L15,ZPC(BLK),SWRCH18	
FOCUS+BF	6003-001023	SCREW-TAPTITE;RWH,+,B,M3,L10,ZPC(YEL),SWRCH1	
APR+CW	6005-001003	SCREW-WOOD;HH,+,M4,L19,ZPC(BLK),SWRCH18A	
CBB+CW	6005-001003	SCREW-WOOD;HH,+,M4,L19,ZPC(BLK),SWRCH18A	
CBB+HC	6005-001003	SCREW-WOOD;HH,+,M4,L19,ZPC(BLK),SWRCH18A	
CBB+TBA	6005-001003	SCREW-WOOD;HH,+,M4,L19,ZPC(BLK),SWRCH18A	
CBT+CW	6005-001003	SCREW-WOOD;HH,+,M4,L19,ZPC(BLK),SWRCH18A	
CF+CW	6005-001003	SCREW-WOOD;HH,+,M4,L19,ZPC(BLK),SWRCH18A	
CM+CW	6005-001003	SCREW-WOOD;HH,+,M4,L19,ZPC(BLK),SWRCH18A	
CW+CW	6005-001003	SCREW-WOOD;HH,+,M4,L19,ZPC(BLK),SWRCH18A	
DOOR+CW	6005-001003	SCREW-WOOD;HH,+,M4,L19,ZPC(BLK),SWRCH18A	
HC+CW	6005-001003	SCREW-WOOD;HH,+,M4,L19,ZPC(BLK),SWRCH18A	
HM+CM	6005-001003	SCREW-WOOD;HH,+,M4,L19,ZPC(BLK),SWRCH18A	
LF+CW	6005-001003	SCREW-WOOD;HH,+,M4,L19,ZPC(BLK),SWRCH18A	
BCM+CW	6006-001094	SCREW-ASS'Y WOOD;WW,HH,+,M7,L32,ZPC(YEL),SWRCH1	
AC+BCM	AA60-10011A	SCREW-TAPTITE, SWRCH18A,M4,L12,HH,+,PC, ZPC(BLK),S	
BS+CF	AA60-10011A	SCREW-TAPTITE, SWRCH18A,M4,L12,HH,+,PC, ZPC(BLK),S	
	AA61-11021A	BRACKET-MIRROR,S,-,SECC-1,T1.0,-,-,-,-	
	AA61-11022A	BRACKET-MIRROR,S,-,SECC-1,T1.0,-,-,-,-	
	AA61-11023A	BRACKET-SCREEN,T,-,SECC-1,T1.0,-,-,-,-	
	AA61-11024A	BRACKET-SCREEN,S,-,SECC-1,T1.0,-,-,-,-	
	AA63-10007C	BAND-PP,-,-,W18,-,CLEAR,1G	
	AA63-30225A	COVER-WOOD,-,SPT555JHD,-,WOOD,-,-,-,-	
	AA63-70002A	SHEET,-,PE FOAM,T1.0,-,-,50G	
	AA64-00624A	CABINET-BACK,BOARD,-,552W,HARDBOARD,HIPS,VO,BLK,T	
	AA64-31213B	CABINET-BACK,TOP,-,555J,-,HIPS,HB,BLK,-,-	
	AA64-31259A	CASE-MIRROR,-,SPT555JHD,-,WOOD,-,-,-,-	
	AA64-31316B	CABINET-MIDDLE,-,HCH551W,DG-703P,HIPS,HB,BLK,-,-	
	AA64-60449B	INLAY COVER;SP-434JMF,PS,TO.5,149.3X69.5,BLK,-,EXPORT	
	AA64-80052A	LEG-FRONT,-,SPT555JHD,DG703P,HIPS,HB,BLK,-	
	AA67-00053A	SUN SCREEN,HC,-,55W,H/C,A/S,PMMA,T=82%,T2.0,1251*7	
	AA67-00124A	SCREEN-LENTICULAR;55W,TO.73,1249*710,P=0.52,TINT=10	
	AA67-00124B	SCREEN-FRESNEL;55W,T2.1251*712	
	AA67-20028A	MIRROR-FRONT;55W,GLASS,T=3.0,-,FSM,1074*79	
	AA68-00233A	LABEL-WARNING;A/P 90(G),PCJ533R,-,-,-,-	
AP3011	AA68-50509A	LABEL-BOX;A/P 90(G),ALL MODEL,-,WHT,L250	
	AA69-01088A	PALLET-SET;SVP-555JHD,PAPER,1450,750,130	
	AA69-01092A	PACKING CASE-IN;SVP-555JHD,H-3 AB,C3,1110,1816,YEL	
	AA69-10174A	PAD-TYPE;CB DW-2,YEL,1450,240,-,555JH	
	AA69-10175A	PAD-TYPE;CB DW-2,YEL,1500,567,-,555JH	
	AA69-20478A	CUSHION-SET;SPT555JHD,PS,CO.02,-,-,-,-	
	AA69-30036A	BAG-PE;HDPE,TO.02,2000,1800,-,555J,	
	AA69-51216G	PACKING-CASE,OUT;552W,555W SEA NEW,H-3 AB,YEL	

### ASSY CHASSIS PART

	*AA90-00121D	ASSY CHASSIS PART;P54A,HCL552W	
TBA+AV	6003-001019	SCREW-TAPTITE;RH,+,B,M4,L12,ZPC(BLK),SWRCH18	
TBA+HC	6003-001023	SCREW-TAPTITE;RWH,+,B,M3,L10,ZPC(YEL),SWRCH1	
	AA61-00051B	HOLDER-CHASSIS,-,PCJ533R,ABS,VO,GRAY,E-2	

### ASSY TERMINAL BOARD

	*AA91-00594C	ASSY TERMINAL BOARD;HIPS,VO,BLK,P54A,HCL5515W	
	AA63-00045B	TERMINAL-BOARD,ANT,-,HIPS,-,PCJ533R,-	

Loc. No.	Code No.	Description ; Specification	Remark
	AA64-01709C	INLAY BACK;HCL5515W,PS SHEET,BLK,P54A B/B	
		<b>ASSY-CABINET,WOOD</b>	
	*AA91-00692A	ASSY-CABINET,WOOD;WOOD,P54A SDE8326R,HCL552W	
W-SPK	3001-000153	SPEAKER;20W,8ohm,93dB,1.3KHz	
W-SPK	3001-001116	SPEAKER;30W,8ohm,96dB,60Hz	
	3811-000446	WIRE-PVC CU;TCWA,600V,ROLL,17/0.16mm,#22,B	
	3811-000480	WIRE-PVC CU;BCWA,1KV,ROLL,17/0.16mm,#22,BL	
CAS+CW	6002-000214	SCREW-TAPPING;TH,+,1,M4.0,L16,ZPC(BLK),MSWR1	
	AA39-00042B	LEAD CONNECTOR-ASSY,-,2.7UF,REC,REC,300MM,1007#22	
CABWOOD	AA60-10050X	SCREW-WOOD,-,SWRCH18A,M3.5,L32,PH,+,ZPC(YEL),PR	
BF+CW	AA60-10051A	SCREW-WOOD,-,SWRCH18A,M4,L16,PH,+,ZPC(BLK),PRJT	
HCM+CW	AA60-10051A	SCREW-WOOD,-,SWRCH18A,M4,L16,PH,+,ZPC(BLK),PRJT	
HL+CW	AA60-10051A	SCREW-WOOD,-,SWRCH18A,M4,L16,PH,+,ZPC(BLK),PRJT	
SPK+CW	AA60-10051A	SCREW-WOOD,-,SWRCH18A,M4,L16,PH,+,ZPC(BLK),PRJT	
HW+CW	AA60-10051B	SCREW-WOOD,-,SWRCH18A,M3.5,L11,RH,+,ZPC(YEL),PRJT	
	AA61-00094F	HOLDER-RAIL,-,65W2DR,ABS,HB,BLK,L185	
	AA61-00097A	HOLDER-WIRE,-,NYLON 6/6,-,NTR,-	
	AA61-10247A	BRACKET-FOCUS;S46DS,SECC,T1.0,-,-,-,-	
	AA61-10387A	BRACKET-GRILLE;SVP-462J,SECC-1,TO.5,-,-,-,-	
	AA61-20136A	HOLDER-MASK,PIN,-,S4388,NYLON,-,BLK,#066	
	AA61-20298A	HOLDER-LEG,-,SPT555JHD,ABS,HB,BLK,-	
	AA61-40019A	BOSS-WOOD,-,ABS,-,-,GRY,VO	
	AA63-60126A	SPACER-FELT;PRJT43,52,FELT,-,-,BLK,T2,-,1160X15	
	AA63-60126B	SPACER-FELT;PRJT52,FELT,-,-,BLK,T2,-,850X15	
	AA64-02007A	CABINET-WOOD;HCL552W,P54A SDE8326R,WOOD	
	AA98-00049B	ASSY-LEAD,CON;-LEAD-CON,CORE,AA39-20505P,-,-	

### ASSY CABINET FRONT

	*AA91-10402L	ASSY CABINET FRONT;HCL5515W B/B,DG703P+BK708P	
	0201-000281	ADHESIVE-RBR;D-5250,YEL,6000CPS+500	
	0203-001166	TAPE-DOUBLE FACE;#4929,TO.64,W7.5,ROLL,BLK	
C/FRONT	0203-001290	TAPE-OPP MASKING;ANT 100C,TO.073,W30,L50M,TRP	
	AA64-31315K	CABINET FRONT;HCL5515W B/B,DG703P+BK708P,HIPS,HB,	

### ASSY-CABINET,BOT

	*AA91-10404A	ASSY-CABINET,BOT;VO,BLK,SP-001DG,JERSEY,SPT555JHD	
	AA60-40009A	PIN-MASK,-,-,-,NYLON66,-	
	AA61-20295A	HOLDER-PIN,-,SPT555JHD,ABS,HB,BLK,-	
	AA64-31212A	CABINET-FRONT,B;-551W,SP2000G,HIPS,VO,BLK,-,-	

### ASSY-DOOR

	*AA95-01155A	ASSY-DOOR;HCL652W/552W,P54A	
KF+DB	6003-001023	SCREW-TAPTITE;RWH,+,B,M3,L10,ZPC(YEL),SWRCH1	
K-POWER	AA61-60116A	SPRING-CS,-,SUS304,-,D16,H4,N18,-,-,-	
K-OPEN	AA61-60117A	SPRING-CS,-,SUS304,-,D17,H5,N13,-,-,-	
	AA64-10756A	KNOB-POWER,-,-,-,ABS,HB,GRAY	
	AA64-10757A	KNOB-FAMILY,-,-,-,ABS,HB,GRAY	
	AA64-10758A	KNOB-OPEN,-,-,-,ABS,HB,GRAY	
	AA64-50248B	DOOR-BODY,-,HCJ655W,-,ABS,HB,GRAY,-,-	
	AA64-60434A	INLAY-CONTROL,-,-,PS,TO.3,BLA,-,-	
	0203-001085	TAPE-DOUBLE FACE;#4929,TO.64,W12,-,BLK	
	AA61-20297A	BASE-WING,-,-,ABS,HB,GRAY,-	
	AA61-40112A	HINGE-DOOR,-,HB,GRAY,-,-	
	AA61-60115A	SPRING-PLATE;PS,SK-5,-,-,-,TO.25,SPT555J,	
	AA64-50249A	DOOR-CASE,-,-,-,ABS,HB,GRAY,-,-	
	AA64-50253B	DOOR-AL,-,SVP-65W2DR,SILVER,AL,-,-,T1.0,-	

Loc. No.	Code No.	Description ; Specification	Remark	Loc. No.	Code No.	Description ; Specification	Remark
	0203-001085	TAPE-DOUBLE FACE;#4929,T0.64,W12,-,BLK		SWY01	3404-000178	SWITCH-TACT;12V,50mA,120gf,6x6mm,SPST	
	AA63-30221A	COVER-DOOR;-,-,ABS,HB,GRAY,-		SWY02	3404-000178	SWITCH-TACT;12V,50mA,120gf,6x6mm,SPST	
	AA63-30224B	COVER-AL;-,-,SVP-65W2DR,SILVER,AL,-,-,T1.0,-		SWY03	3404-000178	SWITCH-TACT;12V,50mA,120gf,6x6mm,SPST	
	0205-000001	GREASE-LITHUM;EM-50L,TEMP(-45-150),D=0.84		SWY04	3404-000178	SWITCH-TACT;12V,50mA,120gf,6x6mm,SPST	
BM+MT	6001-000057	SCREW-MACHINE;RH,+M3,L6,ZPC(BLK),SWRCH18A,F		SWY05	3404-000178	SWITCH-TACT;12V,50mA,120gf,6x6mm,SPST	
PC+DB	6003-001023	SCREW-TAPTITE;RWH,+B,M3,L10,ZPC(YEL),SWRCH1		SWY06	3404-000178	SWITCH-TACT;12V,50mA,120gf,6x6mm,SPST	
	6003-001233	SCREW-TAPTITE;PWH,+P,M3,L8,ZPC(BLK),SWCRH18A		SWY07	3404-000178	SWITCH-TACT;12V,50mA,120gf,6x6mm,SPST	
DB+BM	6006-000255	SCREW-ASS'Y MACH;WSP,PH,+M3,L6,ZPC(WHT),SWRCH1		SWY08	3404-000178	SWITCH-TACT;12V,50mA,120gf,6x6mm,SPST	
DG+BM	6044-001028	RING-E;ID3,OD7,T0.6,BLK,SK5		CNY03	3711-002642	CONNECTOR-HEADER;BOX,3P,1R,2.5mm,STRAIGHT,SN	
	AA61-00069A	BRACKET-MOTOR,ASSY;HCH551W,SECC-1+SUM 24L,-,NTR,-		CNY04	3711-002642	CONNECTOR-HEADER;BOX,3P,1R,2.5mm,STRAIGHT,SN	
	AA61-20311A	HOLDER-SHAFT;-,-,POM,M90-44,NAT,P15xH5.5		CNY02	3711-002643	CONNECTOR-HEADER;BOX,4P,1R,2.5mm,STRAIGHT,SN	
	AA61-20312A	HOLDER-CAP;-,-,POM,M90-44,NAT,-		JKY01	3722-000544	JACK-VHS;4P,11.5mm,AG,BLK,N	
	AA61-80058A	DAMPER-GEAR,A;-,-,POM,-,-,WHT,-,-,-,-,-,-,-,-		JKY02	3722-001041	JACK-RCA;1P,3.4mm,#16-22,AU	
	AA61-80059A	DAMPER-GEAR,B;-,-,POM,-,-,WHT,-,-,-,-,-,-,-,-		JKY04	3722-001042	JACK-RCA;1P,3.4mm,#16-22,AU	
	AA61-80060A	DAMPER-GEAR,C;-,-,POM,-,-,WHT,-,-,-,-,-,-,-,-		JKY03	3722-001043	JACK-RCA;1P,3.4mm,#16-22,AU	
	AA61-80061A	DAMPER-GEAR,WARM;-,-,POM,-,-,WHT,-,-,-,-,-,-,-,-		JY01	3812-000219	WIRE-NO SHEATH CU;TCWA,300V,52mm(TAPING),1/0.6mm	
	AA63-00129A	SPACER-RUBBER,TOWER;HCH551W,EPDM,BLK,M3 NUT-		JY02	3812-000219	WIRE-NO SHEATH CU;TCWA,300V,52mm(TAPING),1/0.6mm	
	AA63-10002A	BAND-TIE;-,-,NYLON66 V2,-,-,L100,NTR,-		JY03	3812-000219	WIRE-NO SHEATH CU;TCWA,300V,52mm(TAPING),1/0.6mm	
	AA65-30105C	CLAMP-WIRE;ALL MODEL,NYLON 66,V2,NTR,5MM,-,-,-		JY04	3812-000219	WIRE-NO SHEATH CU;TCWA,300V,52mm(TAPING),1/0.6mm	
	AA68-01087B	LABEL-MODULE;AA95-00364A,A/P90(G),-,-,-,-,-,-,-,-		JY05	3812-000219	WIRE-NO SHEATH CU;TCWA,300V,52mm(TAPING),1/0.6mm	
	AA91-20071C	ASSY-DOOR,BODY;-,-,P51A E2,652W,552W		JY06	3812-000219	WIRE-NO SHEATH CU;TCWA,300V,52mm(TAPING),1/0.6mm	
	AA91-20072B	ASSY-DOOR,SLIDE;-,-,SILVER,SVP-65W2DR		JY07	3812-000219	WIRE-NO SHEATH CU;TCWA,300V,52mm(TAPING),1/0.6mm	
	AA91-20073B	ASSY-DOOR,COVER;-,-,SILVER,SVP-65W2DR		JY08	3812-000219	WIRE-NO SHEATH CU;TCWA,300V,52mm(TAPING),1/0.6mm	
	AA95-01156A	ASSY-PCB,CONTROL A/V,-,HCL552WX/XAA,P54A,USA		JY09	3812-000219	WIRE-NO SHEATH CU;TCWA,300V,52mm(TAPING),1/0.6mm	
	AA95-90029A	ASSY-PCB,DOOR SUB;-,-,SPT-555JHD,APT52A,-,-,MVT		JY10	3812-000219	WIRE-NO SHEATH CU;TCWA,300V,52mm(TAPING),1/0.6mm	
	0202-000008	SOLDER-WIRE;S63S-W3.0,S63S,D3.63Sn/37Pb,-		JY11	3812-000219	WIRE-NO SHEATH CU;TCWA,300V,52mm(TAPING),1/0.6mm	
	0202-000187	SOLDER-WIRE FLUX;-,-,RS60S,D1.2,63Sn/37Pb		JY12	3812-000219	WIRE-NO SHEATH CU;TCWA,300V,52mm(TAPING),1/0.6mm	
	0204-000442	SOLVENT;1M-1000,C3H7OH,96,-		JY13	3812-000219	WIRE-NO SHEATH CU;TCWA,300V,52mm(TAPING),1/0.6mm	
	0204-001024	FLUX;DF-98TVS,-,20%,-		JY14	3812-000219	WIRE-NO SHEATH CU;TCWA,300V,52mm(TAPING),1/0.6mm	
DY01	0401-000005	DIODE-SWITCHING;1N4148,100V,200mA,DO-35,TP		JY15	3812-000219	WIRE-NO SHEATH CU;TCWA,300V,52mm(TAPING),1/0.6mm	
DY02	0401-000005	DIODE-SWITCHING;1N4148,100V,200mA,DO-35,TP		JY16	3812-000219	WIRE-NO SHEATH CU;TCWA,300V,52mm(TAPING),1/0.6mm	
DZY01	0403-000720	DIODE-ZENER;MTZJ9.1B,9.1V,8.57-9.01V,500mW		JY17	3812-000219	WIRE-NO SHEATH CU;TCWA,300V,52mm(TAPING),1/0.6mm	
QY02	0501-000303	TR-SMALL SIGNAL;KSA733,PNP,250mW,TO-92,TP,120-240		JY18	3812-000219	WIRE-NO SHEATH CU;TCWA,300V,52mm(TAPING),1/0.6mm	
QY01	0504-000123	TR-DIGITAL;KSR1010,NPN,300mW,10K,TO-92,TP		JY19	3812-000219	WIRE-NO SHEATH CU;TCWA,300V,52mm(TAPING),1/0.6mm	
ICY03	0904-001121	IC-I/O SUPPORT CHIP;8574,8BIT,DIP,16P,300MIL,100KH		JY20	3812-000219	WIRE-NO SHEATH CU;TCWA,300V,52mm(TAPING),1/0.6mm	
ICY04	0904-001121	IC-I/O SUPPORT CHIP;8574,8BIT,DIP,16P,300MIL,100KH		JY21	3812-000219	WIRE-NO SHEATH CU;TCWA,300V,52mm(TAPING),1/0.6mm	
ICY01	1003-001090	IC-MOTOR DRIVER;LB1643,SIP,10P,-,SINGLE,1.6A,S		JY23	3812-000219	WIRE-NO SHEATH CU;TCWA,300V,52mm(TAPING),1/0.6mm	
ICY02	1202-000103	IC-VOLTAGE COMP;393,DIP,8P,300MIL,DUAL,36V,CMO		JY24	3812-000219	WIRE-NO SHEATH CU;TCWA,300V,52mm(TAPING),1/0.6mm	
RY36	2001-000281	R-CARBON;100OHM,5%,1/8W,AA,TP,1.8X3.2MM		CNW902	AA39-00117A	LEAD CONNECTOR-ASSY;11P,YBNH250-11,35155-1100,100	
RY37	2001-000281	R-CARBON;100OHM,5%,1/8W,AA,TP,1.8X3.2MM		CNW204	AA39-20159G	LEAD CONNECTOR-ASSY;12P,YBNH250-12,67096-012,170	
RY43	2001-000281	R-CARBON;100OHM,5%,1/8W,AA,TP,1.8X3.2MM		PCB	AA41-00067C	PCB-CONTROL A/V;HCL552W,FR-1,1,L,C,1.6T,330X245,P54A,	
RY44	2001-000281	R-CARBON;100OHM,5%,1/8W,AA,TP,1.8X3.2MM			AA63-10002A	BAND-TIE;-,-,NYLON66 V2,-,-,L100,NTR,-	
RY04	2001-000290	R-CARBON;10KOHM,5%,1/8W,AA,TP,1.8X3.2MM			AA68-01083V	LABEL-MODULE;AA95-00306A,A/P90(G),-,-,-,-,-,-,-,-,CONTROL,-	
RY07	2001-000290	R-CARBON;10KOHM,5%,1/8W,AA,TP,1.8X3.2MM					
RY23	2001-000290	R-CARBON;10KOHM,5%,1/8W,AA,TP,1.8X3.2MM					
RY09	2001-000347	R-CARBON;13KOHM,5%,1/8W,AA,TP,1.8X3.2MM					
RY30	2001-000429	R-CARBON;1KOHM,5%,1/8W,AA,TP,1.8X3.2MM					
RY31	2001-000429	R-CARBON;1KOHM,5%,1/8W,AA,TP,1.8X3.2MM					
RY41	2001-000429	R-CARBON;1KOHM,5%,1/8W,AA,TP,1.8X3.2MM					
RY42	2001-000429	R-CARBON;1KOHM,5%,1/8W,AA,TP,1.8X3.2MM					
RY47	2001-000429	R-CARBON;1KOHM,5%,1/8W,AA,TP,1.8X3.2MM					
RY50	2001-000429	R-CARBON;1KOHM,5%,1/8W,AA,TP,1.8X3.2MM					
RY51	2001-000429	R-CARBON;1KOHM,5%,1/8W,AA,TP,1.8X3.2MM					
RY34	2001-000449	R-CARBON;2.2KOHM,5%,1/8W,AA,TP,1.8X3.2MM					
RY08	2001-000539	R-CARBON;24KOHM,5%,1/8W,AA,TP,1.8X3.2MM					
RY10	2001-000539	R-CARBON;24KOHM,5%,1/8W,AA,TP,1.8X3.2MM					
RY02	2001-000633	R-CARBON;30KOHM,5%,1/8W,AA,TP,1.8X3.2MM					
RY24	2001-000734	R-CARBON;4.7KOHM,5%,1/8W,AA,TP,1.8X3.2MM					
RY35	2001-000734	R-CARBON;4.7KOHM,5%,1/8W,AA,TP,1.8X3.2MM					
RY45	2001-000734	R-CARBON;4.7KOHM,5%,1/8W,AA,TP,1.8X3.2MM					
RY48	2001-000734	R-CARBON;4.7KOHM,5%,1/8W,AA,TP,1.8X3.2MM					
RY01	2001-000780	R-CARBON;470OHM,5%,1/8W,AA,TP,1.8X3.2MM					
RY49	2001-000800	R-CARBON;5.1KOHM,5%,1/8W,AA,TP,1.8X3.2MM					
RY32	2001-000924	R-CARBON;680OHM,5%,1/8W,AA,TP,1.8X3.2MM					
RY33	2001-000924	R-CARBON;680OHM,5%,1/8W,AA,TP,1.8X3.2MM					
RY11	2001-000947	R-CARBON;7.5KOHM,5%,1/8W,AA,TP,1.8X3.2MM					
RY12	2003-001091	R-METAL OXIDE(S);10ohm,5%,2W,AF,TP,4x12mm		ICD601	1204-001631	IC-SOUND PROCESSOR;MSP3450G,QFP,80P,PLASTIC,9V,12	
RY22	2004-000218	R-METAL;10kohm,1%,1/8W,AA,TP,1.8x3.2mm		QP701	0501-000727	TR-SMALL SIGNAL;BC848C,NPN,310mW,SOT-23,TP,420	
RY21	2004-000253	R-METAL;11Kohm,1%,1/8W,AA,TP,1.8x3.2mm		ICP701	1204-001668	IC-PICTURE PROCESS;SDA9488X,SOP,28P,300MIL,PLATIC,3	
CY01	2301-000383	C-FILM;PEF;10nF,5%,50V,TP,6.7x3.2mm,5mm		IC01	1204-001789	IC-VIDEO PROCESS;VPC32300-B3,QFP,80P,787MIL,PLASTIC,	
CY03	2306-000122	C-FILM,MPPF;100nF,5%,50V,TP,7.3x4.0x5.0mm,		IC04	1205-001172	IC-INTERFACE;CIP3250A-B1,PLCC,68P,-,PLASTIC,5V,-,Dto+65	
CY06	2306-000122	C-FILM,MPPF;100nF,5%,50V,TP,7.3x4.0x5.0mm,		RP740	2007-000070	R-CHIP;0ohm,5%,1/16W,DA,TP,1608	
CY04	2401-000444	C-AL;10uF,20%,25V,GP,TP,5x5mm,5mm		CR39	2007-000074	R-CHIP;100ohm,5%,1/16W,DA,TP,1608	
CY05	2401-000486	C-AL;10uF,20%,50V,GP,TP,6.3x7mm,5		PR714	2007-000074	R-CHIP;100ohm,5%,1/16W,DA,TP,1608	
CY02	2401-001537	C-AL;47uF,20%,25V,GP,TP,6.3x7mm,5mm		PR715	2007-000074	R-CHIP;100ohm,5%,1/16W,DA,TP,1608	
LY01	2701-000115	INDUCTOR-AXIAL;10uH,10%,3x7mm		PR716	2007-000074	R-CHIP;100ohm,5%,1/16W,DA,TP,1608	
	3301-001201	CORE-FERRITE;AE,21x11x32mm,1500,280G		PR717	2007-000074	R-CHIP;100ohm,5%,1/16W,DA,TP,1608	

**ASSY PCB MAIN(OPT)**

\*AA94-03388H HCL5515WX/XAA,P54A,U.S.A

Loc. No.	Code No.	Description ; Specification	Remark
PR718	2007-000074	R-CHIP;100ohm,5%,1/16W,DA,TP,1608	
PR719	2007-000074	R-CHIP;100ohm,5%,1/16W,DA,TP,1608	
RP701	2007-000074	R-CHIP;100ohm,5%,1/16W,DA,TP,1608	
RP704	2007-000074	R-CHIP;100ohm,5%,1/16W,DA,TP,1608	
RP705	2007-000074	R-CHIP;100ohm,5%,1/16W,DA,TP,1608	
RP706	2007-000074	R-CHIP;100ohm,5%,1/16W,DA,TP,1608	
RP741	2007-000075	R-CHIP;220ohm,5%,1/16W,DA,TP,1608	
RP742	2007-000075	R-CHIP;220ohm,5%,1/16W,DA,TP,1608	
RP743	2007-000075	R-CHIP;220ohm,5%,1/16W,DA,TP,1608	
RP744	2007-000075	R-CHIP;220ohm,5%,1/16W,DA,TP,1608	
RP745	2007-000075	R-CHIP;220ohm,5%,1/16W,DA,TP,1608	
RP746	2007-000075	R-CHIP;220ohm,5%,1/16W,DA,TP,1608	
RP702	2007-000077	R-CHIP;470ohm,5%,1/16W,DA,TP,1608	
RP703	2007-000078	R-CHIP;1Kohm,5%,1/16W,DA,TP,1608	
CR01	2007-001167	R-CHIP;75ohm,5%,1/16W,DA,TP,1608	
CP708	2203-000181	C-CERAMIC,CHIP;100nF,+80-20%,25V,Y5V,TP,2012,	
CP710	2203-000181	C-CERAMIC,CHIP;100nF,+80-20%,25V,Y5V,TP,2012,	
CP724	2203-000181	C-CERAMIC,CHIP;100nF,+80-20%,25V,Y5V,TP,2012,	
CP726	2203-000181	C-CERAMIC,CHIP;100nF,+80-20%,25V,Y5V,TP,2012,	
CP732	2203-000181	C-CERAMIC,CHIP;100nF,+80-20%,25V,Y5V,TP,2012,	
CP733	2203-000181	C-CERAMIC,CHIP;100nF,+80-20%,25V,Y5V,TP,2012,	
CP734	2203-000181	C-CERAMIC,CHIP;100nF,+80-20%,25V,Y5V,TP,2012,	
CP750	2203-000181	C-CERAMIC,CHIP;100nF,+80-20%,25V,Y5V,TP,2012,	
CP751	2203-000181	C-CERAMIC,CHIP;100nF,+80-20%,25V,Y5V,TP,2012,	
CP752	2203-000181	C-CERAMIC,CHIP;100nF,+80-20%,25V,Y5V,TP,2012,	
CP753	2203-000181	C-CERAMIC,CHIP;100nF,+80-20%,25V,Y5V,TP,2012,	
CP754	2203-000181	C-CERAMIC,CHIP;100nF,+80-20%,25V,Y5V,TP,2012,	
CP756	2203-000181	C-CERAMIC,CHIP;100nF,+80-20%,25V,Y5V,TP,2012,	
CP728	2203-000257	C-CERAMIC,CHIP;10nF,10%,50V,X7R,TP,1608	
CP729	2203-000257	C-CERAMIC,CHIP;10nF,10%,50V,X7R,TP,1608	
CP701	2203-000274	C-CERAMIC,CHIP;0.01nF,0.25pF,50V,NP0,TP,2012	
CP702	2203-000274	C-CERAMIC,CHIP;0.01nF,0.25pF,50V,NP0,TP,2012	
CP704	2203-000405	C-CERAMIC,CHIP;0.18nF,5%,50V,NP0,TP,1608	
CP748	2203-000575	C-CERAMIC,CHIP;220nF,10%,25V,X7R,TP,2012	
CP749	2203-000575	C-CERAMIC,CHIP;220nF,10%,25V,X7R,TP,2012	
CP747	2203-000683	C-CERAMIC,CHIP;0.027nF,5%,50V,NP0,TP,2012	
CP745	2203-000938	C-CERAMIC,CHIP;0.47nF,5%,50V,NP0,TP,2012	
CP746	2203-000938	C-CERAMIC,CHIP;0.47nF,5%,50V,NP0,TP,2012	
CP757	2203-000938	C-CERAMIC,CHIP;0.47nF,5%,50V,NP0,TP,2012	
CP703	2203-001223	C-CERAMIC,CHIP;0.82nF,10%,50V,X7R,TP,2012	
CC02	2203-001603	C-CERAMIC,CHIP;220nF,10%,16V,X7R,TP,2012	
CP725	2401-000598	C-AL;1uF,20%,50V,GP,TP,4x7,5	
CP730	2401-000665	C-AL;2.2uF,20%,50V,GP,TP,3.5x5,5	
CP731	2401-000665	C-AL;2.2uF,20%,50V,GP,TP,3.5x5,5	
CP707	2401-001496	C-AL;47uF,20%,16V,GP,TP,5x7,5	
CP709	2401-001496	C-AL;47uF,20%,16V,GP,TP,5x7,5	
CP741	2401-001496	C-AL;47uF,20%,16V,GP,TP,5x7,5	
CP727	2401-002183	C-AL;220uF,20%,16V,GP,TP,8x9,5mm	
CP742	2401-002183	C-AL;220uF,20%,16V,GP,TP,8x9,5mm	
CP743	2401-002183	C-AL;220uF,20%,16V,GP,TP,8x9,5mm	
CP744	2401-002183	C-AL;220uF,20%,16V,GP,TP,8x9,5mm	
YL02	2703-000271	INDUCTOR-SMD;4.7uH,10%,2x1.25x1.25mm	
DL07	2703-000274	INDUCTOR-SMD;2.2uH,10%,1.25x2x0.85mm	
XP701	2801-004019	CRYSTAL-UNIT;20.25MHz,30ppm,28-AAAM,13pF,20ohm,BK	
LP701	3301-001324	CORE-FERRITE BEAD;AB,150HM,2X1.25X0.9MM,600MA,TP,-	
LP702	3301-001324	CORE-FERRITE BEAD;AB,150HM,2X1.25X0.9MM,600MA,T	
LP703	3301-001324	CORE-FERRITE BEAD;AB,150HM,2X1.25X0.9MM,600MA,T	
PL03	3301-001324	CORE-FERRITE BEAD;AB,150HM,2X1.25X0.9MM,600MA,T	
PL04	3301-001324	CORE-FERRITE BEAD;AB,150HM,2X1.25X0.9MM,600MA,T	
PL05	3301-001324	CORE-FERRITE BEAD;AB,150HM,2X1.25X0.9MM,600MA,T	
	6003-000333	SCREW-TAPTITE,RH,+,2S,M3,L10,ZPC(YEL),SWRCH1	

**ASSY CRT-(R)**

△	*AA94-03599A	ASSY CRT-(R);P16LSG03RJA,+380MG,7,PCL6215R,BARE	
	AA67-10066A	LENS-ASSY;DELTA 37,-,CLEAR A/B,-,-	

**ASSY CRT-(G)**

△	*AA94-03600A	ASSY CRT-(G);P16LSG03HKA,+380MG,7,PCL6215R,BARE	
---	--------------	---	--

Loc. No.	Code No.	Description ; Specification	Remark
----------	----------	-----------------------------	--------

AA67-10066A LENS-ASSY;DELTA 37,-,CLEAR A/B,-,-

**ASSY CRT-(B)**

△ \*AA94-03601A ASSY CRT-(B);P16LSG03BMB,+380MG,7,PCL6215R,BARE

AA67-10066A LENS-ASSY;DELTA 37,-,CLEAR A/B,-,-

**ASSY-PCB,PRE AMP**

\*AA95-00357B ASSY-PCB,PRE AMP;HCL552WX/XAA,P54A

	0202-000008	SOLDER-WIRE;S63S-W3.0,S63S,D3,63Sn/37Pb,-	
	0204-000442	SOLVENT;1M-1000,C3H7OH,96,-	
	0204-001024	FLUX;DF-98TVS,-,20%,-	
RR01	2001-000290	R-CARBON;10KOHM,5%,1/8W,AA,TP,1.8X3.2MM	
CR01	2401-001840	C-AL;100uF,20%,16V,GP,TP,6.3x11.5	
LR01	2701-000112	INDUCTOR-AXIAL;100uH,10%,3x7mm	
CN905	3711-002642	CONNECTOR-HEADER;BOX,3P,1R,2.5mm,STRAIGHT,SN	
CN905	AA39-20033K	LEAD CONNECTOR-ASSY;3P;67096-003,S,800MM,2547#26	
PCB	AA41-10436A	PCB-PREAMP;SPT51A,1,FR-1,245x245x1.6T	
RMRO1	AA59-60001Z	MODULE-REMOCON;-,ORC-638V1/SR-5CP2,38KHz,940n	
	AA60-10011A	SCREW-TAPTITE;-,SWRCH18A,M4,L12,HH,+,PC,-,ZPC(BLK),	
	AA61-00724B	BRACKET-RMC;HCL552W,652W,SECC,T1.0	
	AA63-10002A	BAND-TIE;-,NYLON66 V2,-,-,L100,NTR,-	

**ASSY-PCB,SUB**

\*AA95-00705B ASSY-PCB,SUB;PCL545R,P54A

R307	2003-001038	R-METAL OXIDE(S);4.7ohm,5%,2W,AF,TP,3.9x10mm	
	6003-000333	SCREW-TAPTITE,RH,+,2S,M3,L10,ZPC(YEL),SWRCH1	

**ASSY-PCB,V/M**

\*AA95-00714A ASSY-PCB,V/M;PCL545R,P54A

3301-001201 CORE-FERRITE;AE,21x11x32mm,1500,280G

**ASSY-PCB,TERMINAL**

\*AA95-00716A ASSY-PCB,TERMINAL;PCL545R,P54A

JKV04 3722-001382 JACK-RCA;5P(9P),3.4MM,NI,R/W/G/BLUE,-

**ASSY-PCB,POWER**

\*AA95-00799A ASSY-PCB,POWER;PCL545R,P54A

EY01 AA60-40011A EYELET;ID2.0,OD2.8,BST,

**ASSY CABINET MASK**

\*AA91-00695A ASSY CABINET MASK;HB,BLK,DG902+BK901 P54A,HCL6

	AA64-02011A	CABINET-FRONT,MASK;652W,L1442.4 APCHUL,ABS,HB,GR	
	AA64-02011A	CABINET-FRONT,MASK;652W,L1442.4 APCHUL,ABS,HB,G	
	AA64-02013A	CABINET-MASK,SIDE;652W,L837.4 APCHUL,ABS,HB,GRAY	
CF	AA63-00380A	COVER-CORNER;PJT,POLYESTER,-,-,CLR,#572 TO.088,-	
	AA64-02011B	CABINET-FRONT,MASK;652W,DG902+BK901 SEA,ABS,HB,	
	AA64-02011C	CABINET-FRONT,MASK;652W,DG902+BK901 SEA,ABS,HB,	
	AA64-02013B	CABINET-MASK,SIDE;652W,DG902+BK901,ABS,HB,GRAY	

**7-6 HCL652WX/XAA(HCL652WX/XAA and PCL545RX/XAA Dissimilar parts)**

Loc. No.	Code No.	Description ; Specification	Remark
----------	----------	-----------------------------	--------

**ASSY CHASSIS PART**

\*AA90-00112CASSY CHASSIS PART;P54A,HCL652W

TBA+AV	6003-001019	SCREW-TAPTITE;RH,+B,M4,L12,ZPC(BLK),SWRCH18	
TBA+HC	6003-001023	SCREW-TAPTITE;RWH,+B,M3,L10,ZPC(YEL),SWRCH1	
	AA61-00051B	HOLDER-CHASSIS;-PCJ533R,ABS,VO,GRAY,E-2	

**ASSY CABINET**

\*AA90-00113F ASSY-CABINET;652W,HCL652WX/XAA

	0203-000367	TAPE-CELLULOSE;#430,-,W19,L25,CLR	
SS+ST	0203-001279	TAPE-OPP MASKING;#232,TO.14,W15,L50000,YEL	
FOCUS+CW	6003-001023	SCREW-TAPTITE;RWH,+B,M3,L10,ZPC(YEL),SWRCH1	
APR+CW	6005-001003	SCREW-WOOD;HH,+M4,L19,ZPC(BLK),SWRCH18A	
CBB+CW	6005-001003	SCREW-WOOD;HH,+M4,L19,ZPC(BLK),SWRCH18A	
CBB+HC	6005-001003	SCREW-WOOD;HH,+M4,L19,ZPC(BLK),SWRCH18A	
CBB+TBA	6005-001003	SCREW-WOOD;HH,+M4,L19,ZPC(BLK),SWRCH18A	
CBM+CW	6005-001003	SCREW-WOOD;HH,+M4,L19,ZPC(BLK),SWRCH18A	
CBT+CW	6005-001003	SCREW-WOOD;HH,+M4,L19,ZPC(BLK),SWRCH18A	
CW+CW	6005-001003	SCREW-WOOD;HH,+M4,L19,ZPC(BLK),SWRCH18A	
DCJ+CW	6005-001003	SCREW-WOOD;HH,+M4,L19,ZPC(BLK),SWRCH18A	
DOOR+CW	6005-001003	SCREW-WOOD;HH,+M4,L19,ZPC(BLK),SWRCH18A	
HC+CW	6005-001003	SCREW-WOOD;HH,+M4,L19,ZPC(BLK),SWRCH18A	
LF+CW	6005-001003	SCREW-WOOD;HH,+M4,L19,ZPC(BLK),SWRCH18A	
BCM+CW	6006-001094	SCREW-ASS'Y WOOD;WW,HH,+M7,L32,ZPC(YEL),SWRCH	
	AA26-00101A	TRANS FBT;FWZ50A001E,-,-,-,-,-,-,-,-,-,-	
	AA60-00026A	SPACER-SPONGE;655W,EVA SPONGE,-,-,-,-,-,200X30X4T	
	AA60-00069H	SPACER-SCREEN;71J8,ABS,-,-,-,BLK,-,-,HB L1440	
	AA60-00069M	SPACER-SCREEN;652W,ABS HB,BLK,L840	
	AA60-00113A	SPACER-COVER,DUST;652W,SPONGE,T2.0,94HF-1	
AC+BCM	AA60-10011A	SCREW-TAPTITE;SWRCH18A,M4,L12,HH,+PC,ZPC(BLK),S	
CRT+RB	AA61-00733B	HOLDER-COUPLER,HCL652W,P54A,ABS HB,BLK,CRT R/B	
	AA61-20285A	HOLDER-BOX;-3456,PPVO,WHT,-	
	AA63-00109A	COVER-MIRROR;-HCJ655W,-,WOOD,-,BLK,-,-	
	AA63-00464A	COVER-BACK,TOP;HCL652W,WOOD,BLK	
	AA63-00465A	COVER-DUST;HCL652W,WOOD,BLK	
	AA63-10007C	BAND-PP;-,-,W18,-,CLEAR,1G	
	AA63-30225A	COVER-WOOD;-SPT555JHD,-,WOOD,-,-,-,-,-	
	AA63-60131A	SPACER-FELT;SVP403J,FELT,-,-,BLK,TO.5,-,80x70	
	AA63-70002A	SHEET;-PE FOAM,T1.0,-,-,-,50G	
	AA64-00623A	CABINET-BACK,BOARD;-652W,HARDBOARD,HIPS,VO,BLK,T	
	AA64-80052A	LEG-FRONT;-SPT555JHD,DG703P,HIPS,HB,BLK,-	
	AA67-00009A	SCREEN-TINT;-65W,DNP;P=0.72,TINT=10%,3.0,1468,864	
	AA67-00021A	SUN SCREEN,HC;65p@V,H/C,A/S,PMMA,TRAN=82%,T2.1	
	AA67-00052A	MIRROR-FRONT;65W,GLASS,T3.0,FSM,-,1210*950*713(15B)	
	AA68-00233A	LABEL-WARNING;A/P 90(G),PCJ533R,-,-,-,-,-	
AP3001	AA68-50509A	LABEL-BOX;A/P 90(G),ALL MODEL,-,WHT,L250	
	AA69-00158E	PACKING-CASE,MID;652W,655W SEA NEW,H-3 AB,YEL	
	AA69-00159A	PACKING-COVER;HCJ-655W,-,S-1 A,YEL,2368,1272,-,-	
	AA69-00159D	PACKING-COVER;652W,655W SEA NEW,S-1 A,YEL	
	AA69-00167A	PAD-CUSHION;CB DW2 + EPS,YEL,2600,800,-,-,HCJ-655W,-	
	AA69-00306A	BAG AIR;LDPE,-,1800,1000,CLR,ASSY,ALL,-	
	AA69-01088F	PALLET-SET;HCJ-655W,PAPER,1670,950,130	
	AA69-01099B	CUSHION SET;HCL-652W,EPS C=0.02	
	AA69-01102A	PAD TYPE;HCL652W,DW-2 AB,920,1550,YEL	
	AA69-30036C	BAG-PE;HDPE TO.02 CLR,-,2500,2500,-,-,HCJ655W,-	
	AA91-00696A	ASSY-DECORATION,JERSEY;PS HB BLK,SP-500G JERSEY,H	
	AA63-00063A	SPACER-DUAL,LOCK;SVP-614J,#400,-,-,-,-,-,19X19	
	AA64-02008B	DECORATION-COVER,JERSEY;HCL655W,HIPS,HB,BLK	

**ASSY TERMINAL BOARD**

\*AA91-00594B ASSY TERMINAL BOARD;HIPS,VO,BLK,P54A,HCL552W

	AA63-00045B	TERMINAL-BOARD,ANT;-HIPS,-,PCJ533R,-	
	AA64-01709B	INLAY BACK;HCL552W,PS SHEET,BLK,P54A SEA	

Loc. No.	Code No.	Description ; Specification	Remark
----------	----------	-----------------------------	--------

**ASSY-CABINET,WOOD**

\*AA91-00694A ASSY-CABINET,WOOD;-WOOD,P54A SDE8326R,HCL652W

TW-SPK	3001-000153	SPEAKER;20W,8ohm,93dB,1.3KHz	
C-SPK	3001-001045	SPEAKER;15W,8ohm,91dB,65Hz	
W-SPK	3001-001116	SPEAKER;30W,8ohm,96dB,60Hz	
	3811-000446	WIRE-PVC CU;TCWA,600V,ROLL,17/0.16mm,#22,B	
	3811-000480	WIRE-PVC CU;BCWA,1KV,ROLL,17/0.16mm,#22,BL	
	AA39-00042B	LEAD CONNECTOR-ASSY;2.7UF,REC,REC,300MM,1007#22	
	AA39-00220B	LEAD CONNECTOR ASSY;12P;67096-012,67096003(4),3000/	
	AA39-20609A	LEAD CONNECTOR-ASSY;2P,SMH250-02,REC,400MM,1007	
CABWOOD	AA60-10050X	SCREW-WOOD;-SWRCH18A,M3.5,L32,FH,+ZPC(YEL),PROJ	
BF+CW	AA60-10051A	SCREW-WOOD;-SWRCH18A,M4,L16,PH,+ZPC(BLK),PRJT	
BR+CW	AA60-10051A	SCREW-WOOD;-SWRCH18A,M4,L16,PH,+ZPC(BLK),PRJT	
CAS+CW	AA60-10051A	SCREW-WOOD;-SWRCH18A,M4,L16,PH,+ZPC(BLK),PRJT	
HL+CW	AA60-10051A	SCREW-WOOD;-SWRCH18A,M4,L16,PH,+ZPC(BLK),PRJT	
SPK+CW	AA60-10051A	SCREW-WOOD;-SWRCH18A,M4,L16,PH,+ZPC(BLK),PRJT	
CW+CW	AA60-10051B	SCREW-WOOD;-SWRCH18A,M3.5,L11,RH,+ZPC(YEL),PRJT	
HW+CW	AA60-10051B	SCREW-WOOD;-SWRCH18A,M3.5,L11,RH,+ZPC(YEL),PRJT	
	AA61-00094F	HOLDER-RAIL;-65W2DR,ABS,HB,BLK,L185	
	AA61-00097A	HOLDER-WIRE;-NYLON 6/6,-,NTR,-	
	AA61-00458B	CASTER;-,-,TP4020-05 PLY,OH56,-,-,SR44.4 T2	
	AA61-00510K	HOLDER-SCREEN;652W,ABS,-,-,BLK,HB,L1474	
	AA61-00510L	HOLDER-SCREEN;652W,ABS,-,-,BLK,HB,L844	
	AA61-00644B	HOLDER-SENSOR;P54A(PRJT),PC,VIOLET	
	AA61-00724B	BRACKET-RMC;HCL552W,652W,SECC,T1.0	
	AA61-10247A	BRACKET-FOCUS;S46DS,SECC,T1.0,-,-,-,-	
	AA61-10387A	BRACKET-GRILLE;SVP-462J,SECC-1,TO.5,-,-,-,-	
	AA61-20136A	HOLDER-MASK,PIN;-S4388,NYLON,-,BLK,#066	
	AA61-20298A	HOLDER-LEG;-SPT555JHD,ABS,HB,BLK,-	
	AA63-00063A	SPACER-DUAL,LOCK;SVP-614J,#400,-,-,-,-,-,19X19	
	AA63-00066D	SPACER-DUAL,LOCK;#250,25X60	
	AA64-02010A	CABINET-WOOD;HCL652W,P54A SDE8326R,WOOD	
	AA65-00014C	CLAMP-WIRE;54J9,SINGLE NYLON,BLK	
	AA98-00049C	ASSY-LEAD,CON;-LEAD-CON,CORE,AA39-20505S,-,-	

**ASSY CABINET BOT**

\*AA91-10404E ASSY CABINET BOT;VO BLK,JERSEY SP700N,HCL552W,65

	AA60-40009A	PIN-MASK;-,-,-,-,-,NYLON66,-	
	AA61-20295A	HOLDER-PIN;-SPT555JHD,ABS,HB,BLK,-	
	AA64-31212C	CABINET-FRONT,B;HCL552W,SP700N,HIPS,VO,BLK	

**ASSY-DOOR**

\*AA95-01155A ASSY-DOOR;-HCL652W/552W,P54A

KF+DB	6003-001023	SCREW-TAPTITE;RWH,+B,M3,L10,ZPC(YEL),SWRCH1	
K-POWER	AA61-60116A	SPRING-CS;-SUS304,-,D16,H4,N18,-,-,-	
K-OPEN	AA61-60117A	SPRING-CS;-SUS304,-,D17,H5.5,N13,-,-,-	
	AA64-10756A	KNOB-POWER;-,-,ABS,HB,GRAY	
	AA64-10757A	KNOB-FAMILY;-,-,ABS,HB,GRAY	
	AA64-10758A	KNOB-OPEN;-,-,ABS,HB,GRAY	
	AA64-50248B	DOOR-BODY;-HCJ655W,-,ABS,HB,GRAY,-,-	
	AA64-60434A	INLAY-CONTROL;-,-,PS,TO.3,BLA,-,-	
	0203-001085	TAPE-DOUBLE FACE;#4929,TO.64,W12,-,BLK	
	AA61-20297A	BASE-WING;-,-,ABS,HB,GRAY,-	
	AA61-40112A	HINGE-DOOR;-,-,HB,GRAY,-,-	
	AA61-60115A	SPRING-PLATE;PS,SK-5,-,-,-,-,TO.25,SPT555J,	
	AA64-50249A	DOOR-CASE;-,-,ABS,HB,GRAY,-,-	
	AA64-50253B	DOOR-AL;-SVP-65W2DR,SILVER,AL,-,-,T1.0,-	
	0203-001085	TAPE-DOUBLE FACE;#4929,TO.64,W12,-,BLK	
	AA63-30221A	COVER-DOOR;-,-,ABS,HB,GRAY,-,-	
	AA63-30224B	COVER-AL;-SVP-65W2DR,SILVER,AL,-,-,T1.0,-	
	0205-000001	GREASE-LITHUM;EM-50L,TEMP(-45-150),D=0.84	
BM+MT	6001-000057	SCREW-MACHINE;RH,+M3,L6,ZPC(BLK),SWRCH18A,F	



Loc. No.	Code No.	Description ; Specification	Remark
----------	----------	-----------------------------	--------

**ASSY CRT-(R)**

△	*AA94-03729A	ASSY CRT-(R);P16LSG03RJA,+380MG,7,HCL652W,BARE	
	AA64-01314C	CASE-COUPLER,RED;652W,T2.0,AL SHEET,RED	
	AA67-10066A	LENS-ASSY;DELTA 37,-,-,CLEAR A/B,-,-,-	

**ASSY CRT-(B)**

△	*AA94-03730A	ASSY CRT-(B);P16LSG03BMB,+380MG,7,HCL652W,BARE	
	AA64-01316C	CASE-COUPLER,BLUE;652W,T2.0,AL SHEET,BLUE	
	AA67-10066A	LENS-ASSY;DELTA 37,-,-,CLEAR A/B,-,-,-	

**ASSY-PCB,CENTER SPK**

	*AA95-00307A	ASSY-PCB,CENTER SPK;-;PCJ552WX/XAA,P51A,-,-,USA	
	0202-000008	SOLDER-WIRE;S63S-W3.0,S63S,D3,63Sn/37Pb,-	
	0202-000187	SOLDER-WIRE FLUX;-;RS60S,D1.2,63Sn/37Pb	
	0204-000442	SOLVENT;1M-1000,C3H7OH,96,-	
	0204-001024	FLUX;DF-98TVS,-,20%,-	
RC601	2001-000052	R-CARBON(S);3.3KOHM,5%,1/2W,AA,TP,2.4X6.4MM	
RC612	2001-001067	R-CARBON(S);11KOHM,5%,1/2W,AA,TP,2.4X6.4MM	
RC613	2001-001067	R-CARBON(S);11KOHM,5%,1/2W,AA,TP,2.4X6.4MM	
RC602	2001-001093	R-CARBON(S);2.2KOHM,5%,1/2W,AA,TP,2.4X6.4MM	
RC605	2001-001093	R-CARBON(S);2.2KOHM,5%,1/2W,AA,TP,2.4X6.4MM	
RC606	2001-001103	R-CARBON(S);20KOHM,5%,1/2W,AA,TP,2.4X6.4MM	
RC611	2001-001108	R-CARBON(S);22KOHM,5%,1/2W,AA,TP,2.4X6.4MM	
RC608	2001-001131	R-CARBON(S);33KOHM,5%,1/2W,AA,TP,2.4X6.4MM	
RC607	2001-001146	R-CARBON(S);4.70HM,5%,1/2W,AA,TP,2.4X6.4MM	
RC603	2004-001390	R-METAL(S);1Kohm,2%,1/2W,AA,TP,2.4x6.4mm	
RC604	2004-001390	R-METAL(S);1Kohm,2%,1/2W,AA,TP,2.4x6.4mm	
CC607	2301-000192	C-FILM,PEF;1nF,5%,50V,TP,5.3x10mm,5mm	
CC605	2305-000665	C-FILM,MPEF;100nF,5%,63V,TP,7.5x4.0x5.0mm,	
CC606	2305-000665	C-FILM,MPEF;100nF,5%,63V,TP,7.5x4.0x5.0mm,	
CC601	2401-000192	C-AL;100uF,20%,50V,GP,TP,16x25,7.5	
CC603	2401-000360	C-AL;100uF,20%,50V,GP,TP,8x11.5,5	
CC604	2401-000360	C-AL;100uF,20%,50V,GP,TP,8x11.5,5	
CC602	2401-000480	C-AL;10uF,20%,50V,GP,TP,5x11,5	
CC608	2401-000603	C-AL;1uF,20%,50V,GP,TP,5x11,5	
	3301-001201	CORE-FERRITE;AE,21x11x32mm,1500,280G	
CCN01	3711-002642	CONNECTOR-HEADER;BOX,3P,1R,2.5mm,STRAIGHT,SN	
CCN03	3711-002643	CONNECTOR-HEADER;BOX,4P,1R,2.5mm,STRAIGHT,SN	
CCN02	3711-002644	CONNECTOR-HEADER;BOX,5P,1R,2.5mm,STRAIGHT,SN	
JC02	3812-000219	WIRE-NO SHEATH CU;TCWA,300V,52mm(TAPING),1/0.6mm	
CCNW02	AA39-20020J	LEAD CONNECTOR-ASSY;,5P;67096-005,S,400,1007#26	
CCNW01	AA39-20608A	LEAD CONNECTOR-ASSY;,3(2)P;SMP250-02,67096-03,900M	
PCB	AA41-00120A	PCB-CENTER SPK;P51A,1L,FR-1,245x245x1.6T,9A,V-CUT,7	
EY03	AA60-40011A	EYELET;ID2.0,OD2.8,-,-,BST,-	
	AA63-10002A	BAND-TIE;-;NYLON66 V2,-,-,L100,NTR,-	
	AA68-01082R	LABEL-MODULE;AA95-00307A,A/P90(G),-,-,-,-,CENTER SPK	
ICC601	AA96-50381C	ASSY-H/S;-,-,AA62-30180B,TDA2052,-	

**ASSY-PCB,PRE AMP**

	*AA95-00357B	ASSY-PCB,PRE AMP;,HCL552WX/XAA,P54A	
	0202-000008	SOLDER-WIRE;S63S-W3.0,S63S,D3,63Sn/37Pb,-	
	0204-000442	SOLVENT;1M-1000,C3H7OH,96,-	
	0204-001024	FLUX;DF-98TVS,-,20%,-	
RR01	2001-000290	R-CARBON;10KOHM,5%,1/8W,AA,TP,1.8X3.2MM	
CR01	2401-001840	C-AL;100uF,20%,16V,GP,TP,6.3x11,5	
LR01	2701-000112	INDUCTOR-AXIAL;100uH,10%,3x7mm	
CN905	3711-002642	CONNECTOR-HEADER;BOX,3P,1R,2.5mm,STRAIGHT,SN	
CN905	AA39-20033K	LEAD CONNECTOR-ASSY;,3P;67096-003,S,800MM,2547#26	
PCB	AA41-10436A	PCB-PREAMP;SPT51A,1,FR-1,245x245x1.6T	
RMR01	AA59-60001Z	MODULE-REMOCON;-;ORC-638V1/SR-5CP2,38KHz,940n	
	AA60-10011A	SCREW-TAPTITE;-;SWRCH18A,M4,L12,HH,+PC,-,ZPC(BLK),	
	AA61-00724B	BRACKET-RMC;HCL552W,652W,SECC,T1.0	

Loc. No.	Code No.	Description ; Specification	Remark
----------	----------	-----------------------------	--------

**ASSY-PCB,SUB**

	*AA95-00705B	ASSY-PCB,SUB;PCL545R,P54A	
R307	2003-001038	R-METAL OXIDE(S);4.7ohm,5%,2W,AF,TP,3.9x10mm	
	6003-000333	SCREW-TAPTITE;RH,+2S,M3,L10,ZPC(YEL),SWRCH1	

**ASSY-PCB,TERMINAL**

	*AA95-00715C	ASSY-PCB,TERMINAL;-;HCL552W,P54A	
CNY02	AA39-20052D	LEAD CONNECTOR-ASSY;,4P;YBNH025-04,YSH025-04,700,1	

**ASSY-PCB,INTERFACE**

	*AA95-00968A	ASSY-PCB,INTERFACE;PCL545R,P54A	
	3301-001201	CORE-FERRITE;AE,21x11x32mm,1500,280G	
	AA63-10002A	BAND-TIE;-;NYLON66 V2,-,-,L100,NTR,-	

**ASSY-PCB,CRT**

	*AA95-00970A	ASSY-PCB,CRT;P54A,54,U.S.A,PCL545R	
	3301-001201	CORE-FERRITE;AE,21x11x32mm,1500,280G	

**ASSY-PCB,DOOR SUB**

	*AA95-90029A	ASSY-PCB,DOOR SUB;SPT-555JHD,APT52A	
	0202-000008	SOLDER-WIRE;S63S-W3.0,S63S,D3,63Sn/37Pb,-	
	0202-000187	SOLDER-WIRE FLUX;-;RS60S,D1.2,63Sn/37Pb	
	0204-000442	SOLVENT;1M-1000,C3H7OH,96,-	
	0204-001024	FLUX;DF-98TVS,-,20%,-	
QY03	0501-000389	TR-SMALL SIGNAL;KSC815,NPN,400mW,TO-92,TP,120-240	
QY04	0501-000389	TR-SMALL SIGNAL;KSC815,NPN,400mW,TO-92,TP,120-240	
DY03	0601-000266	LED;CYLINDRICAL,RED,2mm,650nm	
PY1	0604-000203	PHOTO-INTERRUPTER;TR,-,-,-,ST	
PY2	0604-000203	PHOTO-INTERRUPTER;TR,-,-,-,ST	
RY16	2001-000290	R-CARBON;10KOHM,5%,1/8W,AA,TP,1.8X3.2MM	
RY18	2001-000290	R-CARBON;10KOHM,5%,1/8W,AA,TP,1.8X3.2MM	
RY19	2001-000290	R-CARBON;10KOHM,5%,1/8W,AA,TP,1.8X3.2MM	
RY20	2001-000290	R-CARBON;10KOHM,5%,1/8W,AA,TP,1.8X3.2MM	
RY15	2001-000343	R-CARBON;130OHM,5%,1/8W,AA,TP,1.8X3.2MM	
RY17	2001-000343	R-CARBON;130OHM,5%,1/8W,AA,TP,1.8X3.2MM	
JY10	3812-000219	WIRE-NO SHEATH CU;TCWA,300V,52mm(TAPING),1/0.6mm	
JY11	3812-000219	WIRE-NO SHEATH CU;TCWA,300V,52mm(TAPING),1/0.6mm	
	AA31-10002A	MOTOR-DC;-;RF370C-15370,8V,DC,-	
CNY02C	AA39-20052C	LEAD CONNECTOR-ASSY;,4P;YBNH025-04,YSH025-04,500,1	
CNY03C	AA39-20057B	LEAD CONNECTOR-ASSY;,3(2)P;YBNH025-03,67096-003,500	
CNY04C	AA39-20594A	LEAD CONNECTOR-ASSY;,3P;67096-003,700MM,1007#28	
	AA41-11051A	PCB-DOOR SUB;APT52A,1L,FR-1,245x245x1.6T,A1	

**7-7 HCL6515WX/XAA(HCL6515WX/XAA and PCL545RX/XAA Dissimilar parts)**

Loc. No.	Code No.	Description ; Specification	Remark	Loc. No.	Code No.	Description ; Specification	Remark
		<b>ASSY-DOOR</b>					
	*AA95-00364A	ASSY-DOOR;-;PCJ652W/552W,P51A,-;-		RY51	2001-000429	R-CARBON;1KOHM,5%,1/8W,AA,TP,1.8X3.2MM	
	0205-000001	GREASE-LITHUM;EM-50L,TEMP(-45-150),D=0.84		RY34	2001-000449	R-CARBON;2.2KOHM,5%,1/8W,AA,TP,1.8X3.2MM	
BM+MT	6001-000057	SCREW-MACHINE;RH,+M3,L6,ZPC(BLK),SWRCH18A,F		RY08	2001-000539	R-CARBON;24KOHM,5%,1/8W,AA,TP,1.8X3.2MM	
PC+DB	6003-001023	SCREW-TAPTITE;RW,+,B,M3,L10,ZPC(YEL),SWRCH1		RY10	2001-000539	R-CARBON;24KOHM,5%,1/8W,AA,TP,1.8X3.2MM	
	6003-001233	SCREW-TAPTITE;PVH,+,P,M3,L8,ZPC(BLK),SWCRH18A		RY02	2001-000633	R-CARBON;30KOHM,5%,1/8W,AA,TP,1.8X3.2MM	
DB+BM	6006-000255	SCREW-ASS'Y MACH;WSP,PH,+,M3,L6,ZPC(WHT),SWRCH		RY24	2001-000734	R-CARBON;4.7KOHM,5%,1/8W,AA,TP,1.8X3.2MM	
DG+BM	6044-001028	RING-E;ID3,OD7,TO.6,BLK,SK5		RY35	2001-000734	R-CARBON;4.7KOHM,5%,1/8W,AA,TP,1.8X3.2MM	
	AA61-00069A	BRACKET-MOTOR,ASSY;HCH551W,SECC-1+SUM 24L,-,NTR,		RY45	2001-000734	R-CARBON;4.7KOHM,5%,1/8W,AA,TP,1.8X3.2MM	
	AA61-20311A	HOLDER-SHAFT;-;POM,M90-44,NAT,P15xH5.5		RY48	2001-000734	R-CARBON;4.7KOHM,5%,1/8W,AA,TP,1.8X3.2MM	
	AA61-20312A	HOLDER-CAP;-;POM,M90-44,NAT,-		RY01	2001-000780	R-CARBON;4700HM,5%,1/8W,AA,TP,1.8X3.2MM	
	AA61-80058A	DAMPER-GEAR,A;-;POM,-;,-,WHT,-;-;-;-;-;-;-		RY49	2001-000800	R-CARBON;5.1KOHM,5%,1/8W,AA,TP,1.8X3.2MM	
	AA61-80059A	DAMPER-GEAR,B;-;POM,-;,-,WHT,-;-;-;-;-;-;-		RY32	2001-000924	R-CARBON;6800HM,5%,1/8W,AA,TP,1.8X3.2MM	
	AA61-80060A	DAMPER-GEAR,C;-;POM,-;,-,WHT,-;-;-;-;-;-;-		RY33	2001-000924	R-CARBON;6800HM,5%,1/8W,AA,TP,1.8X3.2MM	
	AA61-80061A	DAMPER-GEAR,WARM;-;POM,-;,-,WHT,-;-;-;-;-;-;-		RY11	2001-000947	R-CARBON;7.5KOHM,5%,1/8W,AA,TP,1.8X3.2MM	
	AA63-00129A	SPACER-RUBBER,TOWER;HCH551W,EPDM,BLK,M3 NUT-IN		RY12	2003-001091	R-METAL OXIDE(S);10ohm,5%,2W,AF,TP,4x12mm	
	AA63-10002A	BAND-TIE;-;NYLON66 V2,-;-;,-,L100,NTR,-		RY22	2004-000218	R-METAL;10Kohm,1%,1/8W,AA,TP,1.8x3.2mm	
	AA65-30105C	CLAMP-WIRE;ALL MODEL,NYLON 66,V2,NTR,5MM,-;-;-		RY21	2004-000253	R-METAL;11Kohm,1%,1/8W,AA,TP,1.8x3.2mm	
	AA68-01087B	LABEL-MODULE;AA95-00364A,A/P90(G)-;-;-;-;-;-;-;-;DOOR,-		CY01	2301-000383	C-FILM,PEF;10nF,5%,50V,TP,6x7x3.2mm,5mm	
	AA91-20071C	ASSY-DOOR,BODY;-;-;P51A E2,652W,552W		CY03	2306-000122	C-FILM,MPPF;100nF,5%,50V,TP,7.3x4.0x5.0mm,	
	AA91-20072B	ASSY-DOOR,SLIDE;-;-;SILVER,SVP-65W2DR		CY06	2306-000122	C-FILM,MPPF;100nF,5%,50V,TP,7.3x4.0x5.0mm,	
	AA91-20073B	ASSY-DOOR,COVER;-;-;SILVER,SVP-65W2DR		CY04	2401-000444	C-AL;10uF,20%,25V,GP,TP,5x5mm,5mm	
	AA95-00306A	ASSY-PCB,CONTROL;-;PCJ552WX/XAA,P51A,-;-;,-,USA		CY05	2401-000486	C-AL;10uF,20%,50V,GP,TP,6.3x7mm,5	
	AA95-90029A	ASSY-PCB,DOOR SUB;-;SPT-555JHD,APT52A,-;-;-;-;,-,MVT		CY02	2401-001537	C-AL;47uF,20%,25V,GP,TP,6.3x7mm,5mm	
KF+DB	6003-001023	SCREW-TAPTITE;RW,+,B,M3,L10,ZPC(YEL),SWRCH1		LY01	2701-000115	INDUCTOR-AXIAL;10uH,10%,3x7mm	
K-POWER	AA61-60116A	SPRING-CS;-;SUS304,-;D16,H4,N18,-;-;-;-;-;-;-		3301-001201	3301-001201	CORE-FERRITE;AE,21x11x32mm,1500,280G	
K-OPEN	AA61-60117A	SPRING-CS;-;SUS304,-;D17,H5.5,N13,-;-;-;-;-;-;-		SWY01	3404-000178	SWITCH-TACT;12V,50mA,120gf,6x6mm,SPST	
	AA64-10756A	KNOB-POWER;-;-;-;ABS,HB,GRAY		SWY02	3404-000178	SWITCH-TACT;12V,50mA,120gf,6x6mm,SPST	
	AA64-10757A	KNOB-FAMILY;-;-;-;ABS,HB,GRAY		SWY03	3404-000178	SWITCH-TACT;12V,50mA,120gf,6x6mm,SPST	
	AA64-10758A	KNOB-OPEN;-;-;-;ABS,HB,GRAY		SWY04	3404-000178	SWITCH-TACT;12V,50mA,120gf,6x6mm,SPST	
	AA64-50248B	DOOR-BODY;-;HCJ655W,-;ABS,HB,GRAY,-;-		SWY05	3404-000178	SWITCH-TACT;12V,50mA,120gf,6x6mm,SPST	
	AA64-60434A	INLAY-CONTROL;-;-;PS,TO.3,BLA,-;-		SWY06	3404-000178	SWITCH-TACT;12V,50mA,120gf,6x6mm,SPST	
	0203-001085	TAPE-DOUBLE FACE;#4929,TO.64,W12,-;,-,BLK		SWY07	3404-000178	SWITCH-TACT;12V,50mA,120gf,6x6mm,SPST	
	6003-000333	SCREW-TAPTITE;RH,+,2S,M3,L10,ZPC(YEL),SWRCH1		SWY08	3404-000178	SWITCH-TACT;12V,50mA,120gf,6x6mm,SPST	
	AA61-20297A	BASE-WING;-;-;-;ABS,HB,GRAY,-		CNY03	3711-002642	CONNECTOR-HEADER;BOX,3P,1R,2.5mm,STRAIGHT,SN	
	AA61-40112A	HINGE-DOOR;-;-;HB,GRAY,-;-		CNY04	3711-002642	CONNECTOR-HEADER;BOX,3P,1R,2.5mm,STRAIGHT,SN	
	AA61-60115A	SPRING-PLATE;PS,SK-5,-;-;-;-;-;-;-;TO.25,SPT555J,		CNY02	3711-002643	CONNECTOR-HEADER;BOX,4P,1R,2.5mm,STRAIGHT,SN	
	AA64-50249A	DOOR-CASE;-;-;-;ABS,HB,GRAY,-;-		JKY01	3722-000544	JACK-VHS;4P;11.5mm,AG,BLK,N	
	AA64-50253B	DOOR-AL;-;-;SVP-65W2DR,SILVER,AL,-;-;-;-;-;-;-;-;T1.0,-		JKY02	3722-001041	JACK-RCA;1P;3.4mm,#16-22,AU	
	0203-001085	TAPE-DOUBLE FACE;#4929,TO.64,W12,-;,-,BLK		JKY04	3722-001042	JACK-RCA;1P;3.4mm,#16-22,AU	
	AA63-30221A	COVER-DOOR;-;-;-;ABS,HB,GRAY,-;-		JKY03	3722-001043	JACK-RCA;1P;3.4mm,#16-22,AU	
	AA63-30224B	COVER-AL;-;-;SVP-65W2DR,SILVER,AL,-;-;-;-;-;-;-;-;T1.0,-		JY01	3812-000219	WIRE-NO SHEATH CU;TCWA,300V,52mm(TAPING),1/0.6mm	
	0202-000008	SOLDER-WIRE;S63S-W3.0,S63S,D3.63Sn/37Pb,-		JY02	3812-000219	WIRE-NO SHEATH CU;TCWA,300V,52mm(TAPING),1/0.6mm	
	0202-000187	SOLDER-WIRE FLUX;-;RS60S,D1.2,63Sn/37Pb		JY03	3812-000219	WIRE-NO SHEATH CU;TCWA,300V,52mm(TAPING),1/0.6mm	
	0204-000442	SOLVENT;1M-1000,C3H7OH,96,-		JY04	3812-000219	WIRE-NO SHEATH CU;TCWA,300V,52mm(TAPING),1/0.6mm	
	0204-001024	FLUX;DF-98TVS,-;,-,20%,-		JY05	3812-000219	WIRE-NO SHEATH CU;TCWA,300V,52mm(TAPING),1/0.6mm	
DY01	0401-000005	DIODE-SWITCHING;1N4148,100V,200mA,DO-35,TP		JY06	3812-000219	WIRE-NO SHEATH CU;TCWA,300V,52mm(TAPING),1/0.6mm	
DY02	0401-000005	DIODE-SWITCHING;1N4148,100V,200mA,DO-35,TP		JY07	3812-000219	WIRE-NO SHEATH CU;TCWA,300V,52mm(TAPING),1/0.6mm	
DZY01	0403-000720	DIODE-ZENER;MTZJ9,1B,9.1V,8.57-9.01V,500mW		JY08	3812-000219	WIRE-NO SHEATH CU;TCWA,300V,52mm(TAPING),1/0.6mm	
QY02	0501-000303	TR-SMALL SIGNAL;KSA733,PNP,250mW,TO-92,TP,120-240		JY09	3812-000219	WIRE-NO SHEATH CU;TCWA,300V,52mm(TAPING),1/0.6mm	
QY01	0504-000123	TR-DIGITAL;KSR1010,NPN,300mW,10K,TO-92,TP		JY10	3812-000219	WIRE-NO SHEATH CU;TCWA,300V,52mm(TAPING),1/0.6mm	
ICY03	0904-001121	IC-I/O SUPPORT CHIP;8574,8BIT,DIP,16P,300MIL,100KH		JY11	3812-000219	WIRE-NO SHEATH CU;TCWA,300V,52mm(TAPING),1/0.6mm	
ICY04	0904-001121	IC-I/O SUPPORT CHIP;8574,8BIT,DIP,16P,300MIL,100KH		JY12	3812-000219	WIRE-NO SHEATH CU;TCWA,300V,52mm(TAPING),1/0.6mm	
ICY01	1003-001090	IC-MOTOR DRIVER;LB1643,SIP,10P,-,SINGLE,1.6A,S		JY13	3812-000219	WIRE-NO SHEATH CU;TCWA,300V,52mm(TAPING),1/0.6mm	
ICY02	1202-000103	IC-VOLTAGE COMP;393,DIP,8P,300MIL,DUAL,36V,CMO		JY14	3812-000219	WIRE-NO SHEATH CU;TCWA,300V,52mm(TAPING),1/0.6mm	
RY36	2001-000281	R-CARBON;1000HM,5%,1/8W,AA,TP,1.8X3.2MM		JY15	3812-000219	WIRE-NO SHEATH CU;TCWA,300V,52mm(TAPING),1/0.6mm	
RY37	2001-000281	R-CARBON;1000HM,5%,1/8W,AA,TP,1.8X3.2MM		JY16	3812-000219	WIRE-NO SHEATH CU;TCWA,300V,52mm(TAPING),1/0.6mm	
RY43	2001-000281	R-CARBON;1000HM,5%,1/8W,AA,TP,1.8X3.2MM		JY17	3812-000219	WIRE-NO SHEATH CU;TCWA,300V,52mm(TAPING),1/0.6mm	
RY44	2001-000281	R-CARBON;1000HM,5%,1/8W,AA,TP,1.8X3.2MM		JY18	3812-000219	WIRE-NO SHEATH CU;TCWA,300V,52mm(TAPING),1/0.6mm	
RY04	2001-000290	R-CARBON;10KOHM,5%,1/8W,AA,TP,1.8X3.2MM		JY19	3812-000219	WIRE-NO SHEATH CU;TCWA,300V,52mm(TAPING),1/0.6mm	
RY07	2001-000290	R-CARBON;10KOHM,5%,1/8W,AA,TP,1.8X3.2MM		JY20	3812-000219	WIRE-NO SHEATH CU;TCWA,300V,52mm(TAPING),1/0.6mm	
RY23	2001-000290	R-CARBON;10KOHM,5%,1/8W,AA,TP,1.8X3.2MM		JY21	3812-000219	WIRE-NO SHEATH CU;TCWA,300V,52mm(TAPING),1/0.6mm	
RY09	2001-000347	R-CARBON;13KOHM,5%,1/8W,AA,TP,1.8X3.2MM		JY23	3812-000219	WIRE-NO SHEATH CU;TCWA,300V,52mm(TAPING),1/0.6mm	
RY30	2001-000429	R-CARBON;1KOHM,5%,1/8W,AA,TP,1.8X3.2MM		JY24	3812-000219	WIRE-NO SHEATH CU;TCWA,300V,52mm(TAPING),1/0.6mm	
RY31	2001-000429	R-CARBON;1KOHM,5%,1/8W,AA,TP,1.8X3.2MM		CNW902	AA39-00117A	LEAD CONNECTOR-ASSY;-;11P;YBNH250-11,35155-1100,1	
RY41	2001-000429	R-CARBON;1KOHM,5%,1/8W,AA,TP,1.8X3.2MM		CNW204	AA39-20159G	LEAD CONNECTOR-ASSY;-;12P;YBNH250-12,67096-012,17	
RY42	2001-000429	R-CARBON;1KOHM,5%,1/8W,AA,TP,1.8X3.2MM		PCB	AA41-00067B	PCB-CONTROL AV;P51A,1L,FR-1,330x245x1.6T,4A,MC-Hole	
RY47	2001-000429	R-CARBON;1KOHM,5%,1/8W,AA,TP,1.8X3.2MM			AA63-10002A	BAND-TIE;-;NYLON66 V2,-;-;,-,L100,NTR,-	
RY50	2001-000429	R-CARBON;1KOHM,5%,1/8W,AA,TP,1.8X3.2MM			AA68-01083V	LABEL-MODULE;AA95-00306A,A/P90(G)-;-;-;-;-;-;-;-;CONTROL,-	
					0202-000008	SOLDER-WIRE;S63S-W3.0,S63S,D3.63Sn/37Pb,-	
					0202-000187	SOLDER-WIRE FLUX;-;RS60S,D1.2,63Sn/37Pb	
					0204-000442	SOLVENT;1M-1000,C3H7OH,96,-	
					0204-001024	FLUX;DF-98TVS,-;,-,20%,-	

Loc. No.	Code No.	Description ; Specification	Remark
QY03	0501-000389	TR-SMALL SIGNAL;KSC815,NPN,400mW,TO-92,TP,120-240	
QY04	0501-000389	TR-SMALL SIGNAL;KSC815,NPN,400mW,TO-92,TP,120-240	
DY03	0601-000266	LED;CYLINDRICAL,RED,2mm,650nm	
PY1	0604-000203	PHOTO-INTERRUPTER;TR,-,-,-,ST	
PY2	0604-000203	PHOTO-INTERRUPTER;TR,-,-,-,ST	
RY16	2001-000290	R-CARBON;10KOHM,5%,1/8W,AA,TP,1.8X3.2MM	
RY18	2001-000290	R-CARBON;10KOHM,5%,1/8W,AA,TP,1.8X3.2MM	
RY19	2001-000290	R-CARBON;10KOHM,5%,1/8W,AA,TP,1.8X3.2MM	
RY20	2001-000290	R-CARBON;10KOHM,5%,1/8W,AA,TP,1.8X3.2MM	
RY15	2001-000343	R-CARBON;1300HM,5%,1/8W,AA,TP,1.8X3.2MM	
RY17	2001-000343	R-CARBON;1300HM,5%,1/8W,AA,TP,1.8X3.2MM	
JY10	3812-000219	WIRE-NO SHEATH CU;TCWA,300V,52mm(TAPING),1/0.6mm	
JY11	3812-000219	WIRE-NO SHEATH CU;TCWA,300V,52mm(TAPING),1/0.6mm	
	AA31-10002A	MOTOR-DC-;RF370C-15370,8V DC,-	
CNY02C	AA39-20052C	LEAD CONNECTOR-ASSY.;4P;YBNH025-04,YSH025-04,500,1	
CNY03C	AA39-20057B	LEAD CONNECTOR-ASSY.;3(2)P;YBNH025-03,67096-003,50	
CNY04C	AA39-20594A	LEAD CONNECTOR-ASSY.;3P;67096-003,700MM,1007#28	
	AA41-11051A	PCB-DOOR SUB;APTS2A,1L,FR-1,245x245x1.6T,A1	

### ASSY PCB MAIN(OPT)

\*AA94-03388J ASSY PCB MAIN(OPT);HCL6515WX/XAA,P54A,U.S.A

CN602	3711-002644	CONNECTOR-HEADER;BOX,5P,1R,2.5mm,STRAIGHT,SN	
J379	3812-000219	WIRE-NO SHEATH CU;TCWA,300V,52mm(TAPING),1/0.6mm	
J382	3812-000219	WIRE-NO SHEATH CU;TCWA,300V,52mm(TAPING),1/0.6mm	
J384	3812-000219	WIRE-NO SHEATH CU;TCWA,300V,52mm(TAPING),1/0.6mm	
J385	3812-000219	WIRE-NO SHEATH CU;TCWA,300V,52mm(TAPING),1/0.6mm	
	AA59-40003P	MODULE-FOCUS,PACK;-;F300,NTSC,43,64x62,BK	
EY01	AA60-40011A	EYELET;ID2,0,OD2,8,-,-,BST,-	
EY02	AA60-40011A	EYELET;ID2,0,OD2,8,-,-,BST,-	
BAND	AA63-10002A	BAND-TIE;-;NYLON66 V2,-,-,L100,NTR,-	
WIRE	AA65-30018A	CLAMP-WIRE;NYLON-66,-,-,DATL-600,DONG-A,-	
	AA65-30104B	CLAMP-WIRE;NYLON 66,V2,BLK,W2 Z5,ALL MODE	
	AA65-30105B	CLAMP-WIRE;NYLON 66,V2,NTR,25MM,ALL MODEL	
	AA95-01103A	ASSY-PCB,SOUND;-;PCL5415R,P54A	
	AA95-01132A	ASSY-PCB,PROSCAN;-;PCL6215R,P54A	
C904	2201-000119	C-CERAMIC,DISC;100nF,+80-20%,50V,Y5V,TP,8x3,5	
ICD601	1204-001631	IC-SOUND PROCESSOR;MSP3450G,QFP,80P,-,PLASTIC,9V,1	
QP701	0501-000727	TR-SMALL SIGNAL;BC848C,NPN,310mW,SOT-23,TP,420	
ICP701	1204-001668	IC-PICTURE PROCESS;SDA9488X,SOP,28P,300MIL,PLASTIC,	
IC01	1204-001789	IC-VIDEO PROCESS;VPC3230D-B3,QFP,80P,787MIL,PLASTIC,	
IC04	1205-001172	IC-INTERFACE;CIP3250A-B1,PLCC,68P,-,PLASTIC,5V,-,0to+6	
RP740	2007-000070	R-CHIP;0ohm,5%,1/16W,DA,TP,1608	
CR39	2007-000074	R-CHIP;100ohm,5%,1/16W,DA,TP,1608	
PR714	2007-000074	R-CHIP;100ohm,5%,1/16W,DA,TP,1608	
PR715	2007-000074	R-CHIP;100ohm,5%,1/16W,DA,TP,1608	
PR716	2007-000074	R-CHIP;100ohm,5%,1/16W,DA,TP,1608	
PR717	2007-000074	R-CHIP;100ohm,5%,1/16W,DA,TP,1608	
PR718	2007-000074	R-CHIP;100ohm,5%,1/16W,DA,TP,1608	
PR719	2007-000074	R-CHIP;100ohm,5%,1/16W,DA,TP,1608	
RP701	2007-000074	R-CHIP;100ohm,5%,1/16W,DA,TP,1608	
RP704	2007-000074	R-CHIP;100ohm,5%,1/16W,DA,TP,1608	
RP705	2007-000074	R-CHIP;100ohm,5%,1/16W,DA,TP,1608	
RP706	2007-000074	R-CHIP;100ohm,5%,1/16W,DA,TP,1608	
RP741	2007-000075	R-CHIP;220ohm,5%,1/16W,DA,TP,1608	
RP742	2007-000075	R-CHIP;220ohm,5%,1/16W,DA,TP,1608	
RP743	2007-000075	R-CHIP;220ohm,5%,1/16W,DA,TP,1608	
RP744	2007-000075	R-CHIP;220ohm,5%,1/16W,DA,TP,1608	
RP745	2007-000075	R-CHIP;220ohm,5%,1/16W,DA,TP,1608	
RP746	2007-000075	R-CHIP;220ohm,5%,1/16W,DA,TP,1608	
RP702	2007-000077	R-CHIP;470ohm,5%,1/16W,DA,TP,1608	
RP703	2007-000078	R-CHIP;1Kohm,5%,1/16W,DA,TP,1608	
CR01	2007-001167	R-CHIP;75ohm,5%,1/16W,DA,TP,1608	
CP708	2203-000181	C-CERAMIC,CHIP;100nF,+80-20%,25V,Y5V,TP,2012,	
CP710	2203-000181	C-CERAMIC,CHIP;100nF,+80-20%,25V,Y5V,TP,2012,	
CP724	2203-000181	C-CERAMIC,CHIP;100nF,+80-20%,25V,Y5V,TP,2012,	
CP726	2203-000181	C-CERAMIC,CHIP;100nF,+80-20%,25V,Y5V,TP,2012,	
CP732	2203-000181	C-CERAMIC,CHIP;100nF,+80-20%,25V,Y5V,TP,2012,	
CP733	2203-000181	C-CERAMIC,CHIP;100nF,+80-20%,25V,Y5V,TP,2012,	
CP734	2203-000181	C-CERAMIC,CHIP;100nF,+80-20%,25V,Y5V,TP,2012,	
CP750	2203-000181	C-CERAMIC,CHIP;100nF,+80-20%,25V,Y5V,TP,2012,	
CP751	2203-000181	C-CERAMIC,CHIP;100nF,+80-20%,25V,Y5V,TP,2012,	
CP752	2203-000181	C-CERAMIC,CHIP;100nF,+80-20%,25V,Y5V,TP,2012,	

Loc. No.	Code No.	Description ; Specification	Remark
CP753	2203-000181	C-CERAMIC,CHIP;100nF,+80-20%,25V,Y5V,TP,2012,	
CP754	2203-000181	C-CERAMIC,CHIP;100nF,+80-20%,25V,Y5V,TP,2012,	
CP756	2203-000181	C-CERAMIC,CHIP;100nF,+80-20%,25V,Y5V,TP,2012,	
CP728	2203-000257	C-CERAMIC,CHIP;10nF,10%,50V,X7R,TP,1608	
CP729	2203-000257	C-CERAMIC,CHIP;10nF,10%,50V,X7R,TP,1608	
CP701	2203-000274	C-CERAMIC,CHIP;0.01nF,0.25pF,50V,NP0,TP,2012	
CP702	2203-000274	C-CERAMIC,CHIP;0.01nF,0.25pF,50V,NP0,TP,2012	
CP704	2203-000405	C-CERAMIC,CHIP;0.18nF,5%,50V,NP0,TP,1608	
CP748	2203-000575	C-CERAMIC,CHIP;220NF,10%,25V,X7R,TP,2012	
CP749	2203-000575	C-CERAMIC,CHIP;220NF,10%,25V,X7R,TP,2012	
CP747	2203-000683	C-CERAMIC,CHIP;0.027nF,5%,50V,NP0,TP,2012	
CP745	2203-000938	C-CERAMIC,CHIP;0.47nF,5%,50V,NP0,TP,2012	
CP746	2203-000938	C-CERAMIC,CHIP;0.47nF,5%,50V,NP0,TP,2012	
CP757	2203-000938	C-CERAMIC,CHIP;0.47nF,5%,50V,NP0,TP,2012	
CP703	2203-001223	C-CERAMIC,CHIP;0.82nF,10%,50V,X7R,TP,2012	
CC02	2203-001603	C-CERAMIC,CHIP;220nF,10%,16V,X7R,TP,2012	
CP725	2401-000598	C-AL;1uF,20%,50V,GP,TP,4x7,5	
CP730	2401-000665	C-AL;2.2uF,20%,50V,GP,TP,3.5x5,5	
CP731	2401-000665	C-AL;2.2uF,20%,50V,GP,TP,3.5x5,5	
CP707	2401-001496	C-AL;47uF,20%,16V,GP,TP,5x7,5	
CP709	2401-001496	C-AL;47uF,20%,16V,GP,TP,5x7,5	
CP741	2401-001496	C-AL;47uF,20%,16V,GP,TP,5x7,5	
CP727	2401-002183	C-AL;220uF,20%,16V,GP,TP,8x9,5mm	
CP742	2401-002183	C-AL;220uF,20%,16V,GP,TP,8x9,5mm	
CP743	2401-002183	C-AL;220uF,20%,16V,GP,TP,8x9,5mm	
CP744	2401-002183	C-AL;220uF,20%,16V,GP,TP,8x9,5mm	
YL02	2703-000271	INDUCTOR-SMD;4.7uH,10%,2x1.25x1.25mm	
DL07	2703-000274	INDUCTOR-SMD;2.2uH,10%,1.25x2x0.85mm	
XP701	2801-004019	CRYSTAL-UNIT;20.25MHz,30ppm,28-AAM,13pF,20ohm,BK	
LP701	3301-001324	CORE-FERRITE BEAD;AB,150HM,2X1.25X0.9MM,600MA,TP	
LP702	3301-001324	CORE-FERRITE BEAD;AB,150HM,2X1.25X0.9MM,600MA,TP	
LP703	3301-001324	CORE-FERRITE BEAD;AB,150HM,2X1.25X0.9MM,600MA,TP	
PL03	3301-001324	CORE-FERRITE BEAD;AB,150HM,2X1.25X0.9MM,600MA,TP	
PL04	3301-001324	CORE-FERRITE BEAD;AB,150HM,2X1.25X0.9MM,600MA,TP	
PL05	3301-001324	CORE-FERRITE BEAD;AB,150HM,2X1.25X0.9MM,600MA,TP	

### ASSY CRT-(G)

△	*AA94-03600A	ASSY CRT-(G);P16LSG03HKA,+380MG,7,PCL6215R,BARE	
	AA67-10066A	LENS-ASSY;DELTA 37,-,-,CLEAR A/B,-,-,-	

### ASSY ACCESSORY

	*AA94-03663A	ASSY ACCESSORY;HCL552WX/XAA,P54A,U.S.A,SEA	
	AA68-01509A	MANUAL USERS;HCL552W,ENG,W/P100(G),2(1),B5,P54A,	

### ASSY CRT-(R)

△	AA94-03729A	ASSY CRT-(R);P16LSG03RJA,+380MG,7,HCL652W,BARE	
	AA64-01314C	CASE-COUPLER,RED;652W,T2,0,AL SHEET,RED	
	AA67-10066A	LENS-ASSY;DELTA 37,-,-,CLEAR A/B,-,-,-	

### ASSY CRT-(B)

△	AA94-03730A	ASSY CRT-(B);P16LSG03BMB,+380MG,7,HCL652W,BARE	
	AA64-01316C	CASE-COUPLER,BLUE;652W,T2,0,AL SHEET,BLUE	
	AA67-10066A	LENS-ASSY;DELTA 37,-,-,CLEAR A/B,-,-,-	

### ASSY-PCB,PRE AMP

	*AA95-00357B	ASSY-PCB,PRE AMP;-;HCL552WX/XAA,P54A	
	0202-000008	SOLDER-WIRE;S63S-W3,0,S63S,D3,63Sn/37Pb,-	
	0204-000442	SOLVENT;1M-1000,C3H7OH,96,-	



Loc. No.	Code No.	Description ; Specification	Remark	Loc. No.	Code No.	Description ; Specification	Remark
	0204-001024	FLUX;DF-98TVS,-,20%,-					
RR01	2001-000290	R-CARBON;10KOHM,5%,1/8W,AA,TP,1.8X3.2MM					
CRO1	2401-001840	C-AL;100uF;20%,16V,GP,TP,6.3x11,5					
LR01	2701-000112	INDUCTOR-AXIAL;100uH,10%,3x7mm					
CN905	3711-002642	CONNECTOR-HEADER;BOX,3P,1R,2.5mm,STRAIGHT,SN					
CN905	AA39-20033K	LEAD CONNECTOR-ASSY;3P,67096-003,S,800MM,2547#26					
PCB	AA41-10436A	PCB-PREAMP;SPT51A,1,FR-1,245x245x1.6T					
RMR01	AA59-60001Z	MODULE-REMOCON;-;ORC-638V1/SR-5CP2,38KHz,940n					
	AA60-10011A	SCREW-TAPTITE;-;SWRCH18A,M4,L12,HH,+PC,-,ZPC(BLK)					
	AA61-00724B	BRACKET-RMC;HCL552W,652W,SECC,T1.0					
	AA63-10002A	BAND-TIE;-;NYLON66 V2,-,-,L100,NTR,-					

### ASSY-PCB,SUB

\*AA95-00705B ASSY-PCB,SUB;PCL545R,P54A

R307 2003-001038 R-METAL OXIDE(S);4.7ohm,5%,2W,AF,TP,3.9x10mm

### ASSY-PCB,V/M

\*AA95-00714B ASSY-PCB,V/M;DP,PCL545R,P54A

BOX 0203-001269 TAPE-OPP MASKING;#301,T0.06,W75,L50000,NTR  
 BOX AA63-70002A SHEET;-;PE FOAM,T1.0,-,-,50G  
 BOX AA69-00607M PAD CROSS;-;CB DW-2,YEL,1010,80,-,-,-  
 BOX AA69-00736E PAD PLATE;-;CB DW-2,YEL,1010,1010,-,-,-  
 AA69-00739S MASTER CARTON;-;CB DW-3,YEL,1020,1020,190,-,-

### ASSY-PCB,TERMINAL

\*AA95-00716A ASSY-PCB,TERMINAL;PCL545R,P54A

JKV04 3722-001382 JACK-RCA;5P(9P),3.4MM,NI,R/W/G/BLUE,-

### ASSY-PCB,INTERFACE

AA95-00968A ASSY-PCB,INTERFACE;PCL545R,P54A

3301-001201 CORE-FERRITE;AE,21x11x32mm,1500,280G  
 AA63-10002A BAND-TIE;-;NYLON66 V2,-,-,L100,NTR,-

### ASSY PCB CRT

\*AA95-00970B ASSY PCB CRT;DP,P54A,54,U.S.A,PCL545R

BOX 0203-001269 TAPE-OPP MASKING;#301,T0.06,W75,L50000,NTR  
 3301-001201 CORE-FERRITE;AE,21x11x32mm,1500,280G  
 BOX AA69-00902P PAD CROSS;-;CB DW-2,YEL,360,125,-,-,-  
 BOX AA69-00902Q PAD CROSS;-;CB DW-2,YEL,550,125,-,-,-  
 BOX AA69-10165A PAD-PLATE;CB SW-2,YEL,550,360,-,-,-  
 BOX AA69-40013A MASTER-CARTON;CB DW-3,560,370,410,YEL,-,-,-

## 7-8 ST54J9P3S/XAX (ST54J9P3S/XAX and PCL5415R3C/XAA Dissimilar parts)

Loc. No.	Code No.	Description ; Specification	Remark	Loc. No.	Code No.	Description ; Specification	Remark
<b>ASSY-SKD</b>							
	AA97-01639A	ASSY-SKD,;ST54J9P3S/XAX,P54A,MEXICO		DZ841	0406-001007	DIODE-TVS;P6KE180A,171/180/189V,600W,CAS	
	AA64-01495C	CABINET-MASK,SIDE;PCL545R(54J9), LG807P+BL903P SEA,ABS,HB		△ IC802	AA13-00033A	IC-HYBRID;-;SVD001,-;7PIN,-;J144	
	AA64-02283B	CABINET-RONT,MASK ;ST54J9P,ABS,HB,GRAY,LG807P+BL903P			3812-000219	WIRE-NO SHEATH CU;TCWA,300V,52mm(TAPING),1/0.6mm	
<b>ASSY CABINET</b>					R809	2001-000002	R-CARBON(S);200KOHM,5%,1/2W,AA,TP,6.4X2.4MM
	AA90-00756G	ASSY CABINET;54J9,ST54J93S/XAX		R812	2003-002172	R-METAL OXIDE(S);12Kohm,5%,2W,AG,TP,3.8x12mm	
	AA64-01915C	CABINET-MASK,ETC;DP;54J9,ABS,HB,GRAY;64-01393K		R814	2003-002173	R-METAL OXIDE(S);7.5Kohm,5%,2W,AG,TP,3.9x12mm	
	AA68-50527V	LABEL-NOM,MARK; ST-54J9PK/L 90(G),150,100,YEL,NOM MARK		R833	2003-001024	R-METAL OXIDE(S);150ohm,5%,2W,AF,TP,3.9x10mm	
				R835	2001-001188	R-CARBON(S);8.2KOHM,5%,1/2W,AA,TP,2.4X6.4MM	
				R842	2003-001040	R-METAL OXIDE(S);47Kohm,5%,2W,AF,TP,3.9x10mm	
				R842A	2003-001040	R-METAL OXIDE(S);47Kohm,5%,2W,AF,TP,3.9x10mm	
				R844	2003-002020	R-METAL OXIDE(S);56Kohm,5%,2W,AF,TP,3.9x10mm	
				R845	2003-002020	R-METAL OXIDE(S);56Kohm,5%,2W,AF,TP,3.9x10mm	
				R846	2003-002020	R-METAL OXIDE(S);56Kohm,5%,2W,AF,TP,3.9x10mm	
				R847	2003-002020	R-METAL OXIDE(S);56Kohm,5%,2W,AF,TP,3.9x10mm	
				R848	2001-001111	R-CARBON(S);240OHM,5%,1/2W,AA,TP,2.4X6.4MM	
				R850	2008-001079	R-FUSIBLE;4.70HM,5%,2W,AF,TP,3.9X10MMRML	
				△ 801S	3501-001040	RELAY-POWER;12VDC,500mW,10A,1FormA,15mS,5m	
<b>PANEL-CONTROL</b>				<b>ASSY-PCB,CONTROL</b>			
	AA64-01746C	PANEL-CONTROL;54J9,62J9,HIPS HB,BLK,SV012P+LG807P		AA95-01068D	ASSY-PCB,CONTROL;DP,ST54J9PS,P54A,MEXICO		
	AA64-01747C	DOOR-AV;54J9,62J9,HIPS HB,BLK,LG807P		AA91-00652C	ASSY-CONTROL,;HIPS HB BLK,XAX,54J9		
	AA64-01749C	KNOB-CONTROL,HOLDER;54J9,62J9,ABS HB,BLK,SV012P		<b>ASSY-POWER,CORD</b>			
	AA60-00071B	SPACER-JERSEY;54J8,JERSEY,-,-,GRAY,-,-,SP-700G		△ AA96-20112C	ASSY-POWER,CORD;-;EP2/NO,H/C250,KJ10,THAILAND,		
				AA39-10006K	POWER-CORD;-;KJ-10,SPT-2 2/18AWG,2400,3P,		
<b>ASSY-FRONT,BOT</b>				<b>ASSY ACCESSORY</b>			
	AA91-00660C	ASSY-FRONT,BOT;DP;91-00653C,54J9		AA97-01640A	ASSY ACCESSORY,;ST54J9P3S/XAX,P54A,		
	AA91-00653C	ASSY-FRONT,BOT,;VO G4309,HIPS,54J9(ST54J9P)		AA68-00560A	CARD-SVC NETWORK;-;W/P100(G),-;SEM,1',12PAGE		
				AA68-01853A	MANUAL USERS; ;SP54J9P,ENG,W/P100(G),2(1),B5,P54A,64P		
				AA68-01854A	MANUAL USERS,;SP54J9P,SPA,W/P100(G),2(1),B5,P54A,64P		
				AA68-50062W	LABEL-LINE,NO:A/P90(S),TO.2,-;WHT,-;		
				W/C AA68-00559C	CARD WARRANTY;-;W/P150(G),-;138X212,-;BOTH2'		
<b>ASSY-BRKT,CRT</b>							
	AA91-00722A	ASSY-BRKT,CRT,;SECC T1.6,PROJ					
	AA61-00473B	BRACKET-CRT;53,SECC,T1.6,-;-;-					
	AA61-00473B	BRACKET-CRT;53,SECC,T1.6,-;-;-					
	AA61-00615B	BRACKET-EARTH;54J8,PBS,TO.5,-;-;-					
	AA61-00812A	SPRING-WIRE;PROJ,STS,3.6					
	0203-001269	TAPE-OPP MASKING;#301,TO.06,W75,L50000,NTR					
	0203-001269	TAPE-OPP MASKING;#301,TO.06,W75,L50000,NTR					
	AA69-00918P	PAD CROSS,;CB DW-2,YEL,460,100					
	AA69-00918P	PAD CROSS,;CB DW-2,YEL,460,100339					
	AA69-01410A	MASTER CARTON,;CB DW-2,YEL,100,100,10071					
	AA69-01401A	PAD PLATE,;CB SW-2,YEL,100,10071					
	AA69-01401A	PAD PLATE,;CB SW-2,YEL,100,100					
<b>ASSY PCB CHASSISPACK</b>							
	AA93-00173A	ASSY PCB CHASSISPACK,;P54A,ST54J9P3S/XAX,MEXICO					
	AA95-00705D	ASSY-PCB,SUB,;SP54J9PX/XAX,P54A,220V					
DZ806	0403-000734	DIODE-ZENER;TZP15B,15V,14.7-16.5V,1W,DO-41					
DZ807	0403-000691	DIODE-ZENER;R2K,170V,170-200V,-;-;TPRS810					
	2001-000002	R-CARBON(S);200KOHM,5%,1/2W,AA,TP,6.4X2.4MM					
RS811	2001-001045	R-CARBON(S);1.2KOHM,5%,1/2W,AA,TP,2.4X6.4MM					
	AA95-00799F	ASSY PCB POWER;SP54J9PX/XAX,P54A,220V					
C835	2401-000030	C-AL;22uF,20%,25V,GP,TP,5x11,5					
C842	2401-003370	C-AL;47uF,20%,450V,GP,BK,16X35.5,7					
D805	0402-000546	DIODE-RECTIFIER;TVR10G,400V,1.0A,DO-41,TP					
D839	0402-000243	DIODE-RECTIFIER;RC2-V1,2000V,0.2A,DO-201					
D842	0402-000546	DIODE-RECTIFIER;TVR10G,400V,1.0A,DO-41,TP					
DZ833	0406-001007	DIODE-TVS;P6KE180A,171/180/189V,600W,CAS					
DZ837	0403-001039	DIODE-ZENER;MA2560,56V,52-60V,1W,DO-41,TP					
DZ840	0403-001039	DIODE-ZENER;MA2560,56V,52-60V,1W,DO-41,TP					

**7-9HCL4715WX/XAA**

Loc. No.	Code No.	Description ; Specification	Remark	Loc. No.	Code No.	Description ; Specification	Remark
	<b>ASSY PCB MAIN(OPT)</b>						
1 *	AA94-03388D	ASSY PCB MAIN(OPT);PCL5415RX/XAA,P54A,U.		...4 C121	2301-000383	C-FILM,PEF;10nF,5%,50V,TP,6x7x3.2mm,5mm	
..2	C664	2401-001068	C-AL;3300uF,20%,50V,GP,BK,22x40,10	...4 C122	2301-000383	C-FILM,PEF;10nF,5%,50V,TP,6x7x3.2mm,5mm	
..2	C665	2401-000737	C-AL;2200uF,20%,50V,GP,TP,18x35,5,	...4 C123	2305-000665	C-FILM,MPEF;100nF,5%,63V,TP,7.5x4.0x5.0m	
..2	CG-BOT	AA63-00397B	SHIELD CASE-BOT;PRJT,P54A,SPT,TO.5,-,-, S.N.A	...4 C124	2305-000665	C-FILM,MPEF;100nF,5%,63V,TP,7.5x4.0x5.0m	
..2	CG-TOP	AA63-00396B	SHIELD CASE-TOP;PRJT,P54A,SPT,TO.5,-,-, S.N.A	...4 C125	2305-000665	C-FILM,MPEF;100nF,5%,63V,TP,7.5x4.0x5.0m	
..2	CN01	3703-001150	CONNECTOR-DIN;32P,2R,FEMALE,STRAIGHT,AUF	...4 C126	2301-000383	C-FILM,PEF;10nF,5%,50V,TP,6x7x3.2mm,5mm	
..2	CN02	3703-001150	CONNECTOR-DIN;32P,2R,FEMALE,STRAIGHT,AUF	...4 C127	2305-000665	C-FILM,MPEF;100nF,5%,63V,TP,7.5x4.0x5.0m	
..2	CNM01	3703-001187	CONNECTOR-DIN;64P,2R,FEMALE,STRAIGHT,AU	...4 C128	2201-000119	C-CERAMIC,DISC;100nF,+80-20%,50V,Y5V,TP,	
..2	CNS01	3703-001187	CONNECTOR-DIN;64P,2R,FEMALE,STRAIGHT,AU	...4 C129	2401-001840	C-AL;100uF,20%,16V,GP,TP,6.3x11,5	
..2	CNT01	3710-001208	CONNECTOR-SOCKET;32P,2R,2.54mm,STRAIGHT,	...4 C130	2401-001840	C-AL;100uF,20%,16V,GP,TP,6.3x11,5	
..2	CNT02	3710-001208	CONNECTOR-SOCKET;32P,2R,2.54mm,STRAIGHT,	...4 C131	2301-000383	C-FILM,PEF;10nF,5%,50V,TP,6x7x3.2mm,5mm	
..2	CNZ01	3703-001150	CONNECTOR-DIN;32P,2R,FEMALE,STRAIGHT,AUF	...4 C132	2401-000302	C-AL;100uF,20%,25V,GP,TP,6.3x11,5	
..2	DW-BOT	AA63-00395B	SHIELD CASE-BOT;PRJT,P54A,SPT,TO.5,-,-, S.N.A	...4 C133	2305-000665	C-FILM,MPEF;100nF,5%,63V,TP,7.5x4.0x5.0m	
..2	DW-TOP	AA63-00394B	SHIELD CASE-TOP;PRJT,P54A,SPT,TO.5,-,-, S.N.A	...4 C134	2305-000665	C-FILM,MPEF;100nF,5%,63V,TP,7.5x4.0x5.0m	
..2	IC102	AA96-00110C	ASSY-H/S;-,AA62-30013K,SI-3090C,-	...4 C135	2401-003034	C-AL;220uF,20%,16V,WT,TP,8x11,5,5	
...3	1203-000577	IC-VOLTAGE REGULATOR;3090,ZIP,5P,-,PLASTI		...4 C136	2401-002463	C-AL;470uF,20%,16V,GP,TP,8x11,5,5	
...3	6003-000333	SCREW-TAPTITE;RH,+,2S,M3,L10,ZPC(YEL),SW		...4 C137	2401-001397	C-AL;470uF,20%,25V,GP,TP,10x16,5	
...3	AA62-30013K	HEAT-SINK,ES;-,44/18,-,WHT,A6063 E	S.N.A	...4 C138	2401-000832	C-AL;220uF,20%,25V,GP,TP,8x11,5,5	
..2	IC104	AA96-00110A	ASSY-H/S;-,AA62-30013K,SI-3050C,-	...4 C140	2305-000665	C-FILM,MPEF;100nF,5%,63V,TP,7.5x4.0x5.0m	
...3	1203-000203	IC-POS,ADJUST REG.;3050,TO-220,5P,-,PLA		...4 C142	2401-002619	C-AL;47uF,20%,25V,GP,TP,5x11,5	
...3	6003-000333	SCREW-TAPTITE;RH,+,2S,M3,L10,ZPC(YEL),SW		...4 C144	2202-000632	C-CERAMIC,MLC-AXIAL;100nF,20%,50V,Z5U,TP	
...3	AA62-30013K	HEAT-SINK,ES;-,44/18,-,WHT,A6063 E	S.N.A	...4 C145	2202-000632	C-CERAMIC,MLC-AXIAL;100nF,20%,50V,Z5U,TP	
..2	IC106	AA96-00110A	ASSY-H/S;-,AA62-30013K,SI-3050C,-	...4 C147	2202-000632	C-CERAMIC,MLC-AXIAL;100nF,20%,50V,Z5U,TP	
..2	IC655	AA96-00038A	ASSY-H/S;-,SOUND AMP,AA62-30173E,TDA72	...4 C149	2202-000632	C-CERAMIC,MLC-AXIAL;100nF,20%,50V,Z5U,TP	
...3	0205-000129	GREASE-SILICON;SC102,JAPAN		...4 C150	2202-000632	C-CERAMIC,MLC-AXIAL;100nF,20%,50V,Z5U,TP	
...3	1201-001026	IC-POWER AMP;7265,ZIP,1P,19,6MIL,DUAL,1		...4 C151	2202-000632	C-CERAMIC,MLC-AXIAL;100nF,20%,50V,Z5U,TP	
...3	6003-000333	SCREW-TAPTITE;RH,+,2S,M3,L10,ZPC(YEL),SW		...4 C152	2202-000632	C-CERAMIC,MLC-AXIAL;100nF,20%,50V,Z5U,TP	
...3	AA62-300173E	HEAT-SINK,ES;-,T1.0,WHITE,SCREW-HOLE(1	S.N.A	...4 C153	2201-000119	C-CERAMIC,DISC;100nF,+80-20%,50V,Y5V,TP,	
..2	ICZ101	AA96-00110A	ASSY-H/S;-,AA62-30013K,SI-3050C,-	...4 C154	2201-000119	C-CERAMIC,DISC;100nF,+80-20%,50V,Y5V,TP,	
..2	ICZ102	1203-000121	IC-NEGA.FIXED REG.;7906,TO-220,3P,-,PLAS	...4 C155	2201-000119	C-CERAMIC,DISC;100nF,+80-20%,50V,Y5V,TP,	
..2	L601	AA29-00004A	FILTER-LINE NOISE;-,20UH,3A,AC80-260V,TQ	...4 C157	2202-000632	C-CERAMIC,MLC-AXIAL;100nF,20%,50V,Z5U,TP	
..2	L602	AA27-10001C	COIL-CHOK;-100uH,K,-,5.0A,ST,700UH-K(R	...4 C191	2401-002619	C-AL;47uF,20%,25V,GP,TP,5x11,5	
..2	MI-BOT	AA63-00397B	SHIELD CASE-BOT;PRJT,P54A,SPT,TO.5,-,-, S.N.A	...4 C666	2305-000665	C-FILM,MPEF;100nF,5%,63V,TP,7.5x4.0x5.0m	
..2	MI-TOP	AA63-00396B	SHIELD CASE-TOP;PRJT,P54A,SPT,TO.5,-,-, S.N.A	...4 C667	2401-000603	C-AL;1uF,20%,50V,GP,TP,5x11,5	
..2	SO-BOT	AA63-00397B	SHIELD CASE-BOT;PRJT,P54A,SPT,TO.5,-,-, S.N.A	...4 C668	2401-000603	C-AL;1uF,20%,50V,GP,TP,5x11,5	
..2	SO-TOP	AA63-00396B	SHIELD CASE-TOP;PRJT,P54A,SPT,TO.5,-,-, S.N.A	...4 C676	2401-001192	C-AL;33uF,20%,50V,GP,TP,6.3x11,5	
..2	TU103S	AA59-00164A	MODULE-RF,SPLITTER;-UMX-NT-005,-,2IN/3O	...4 C686	2301-000192	C-FILM,PEF;1nF,5%,50V,TP,5.3x10mm,5mm	
..2	WIRE	AA65-30018A	CLAMP-WIRE;DONG-A,NYLON-66,-,-,DATL-60	...4 C687	2301-000192	C-FILM,PEF;1nF,5%,50V,TP,5.3x10mm,5mm	
..2	AA99-30217G	ASSY-PCB ROBOT; AA94-03388D _ER	S.N.A	...4 C688	2401-000192	C-AL;1000uF,20%,50V,GP,TP,16x25,7	
...3	CN201	3711-003974	CONNECTOR-HEADER;BOX,12P,1R,2.5mm,STRAIG	...4 C689	2305-000665	C-FILM,MPEF;100nF,5%,63V,TP,7.5x4.0x5.0m	
...3	CN501	3711-003051	CONNECTOR-HEADER;BOX,8P,1R,2.5mm,STRAIGH	...4 C690	2305-000665	C-FILM,MPEF;100nF,5%,63V,TP,7.5x4.0x5.0m	
...3	CN801	3711-003975	CONNECTOR-HEADER;BOX,14P,1R,2.5mm,STRAIG	...4 C691	2401-000192	C-AL;1000uF,20%,50V,GP,TP,16x25,7	
...3	CN901	3711-003973	CONNECTOR-HEADER;BOX,11P,1R,2.5mm,STRAIG	...4 C701	2401-000027	C-AL;4.7uF,20%,50V,GP,TP,5x11,5	
...3	CNZ02	3711-003052	CONNECTOR-HEADER;BOX,10P,1R,2.5mm,STRAIG	...4 C801	2401-002300	C-AL;47uF,20%,50V,GP,TP,6.3x11,5	
...3	IC103	AA96-50147B	ASSY-H/S;-TR,AA62-30012B,KA7808,-	...4 C901	2401-002235	C-AL;10uF,20%,16V,GP,TP,5x11mm,5mm	
...4	1203-000293	IC-POS.FIXED REG.;7808,TO-220,3P,-,PLAS		...4 C902	2201-000119	C-CERAMIC,DISC;100nF,+80-20%,50V,Y5V,TP,	
...4	6003-000333	SCREW-TAPTITE;RH,+,2S,M3,L10,ZPC(YEL),SW		...4 C903	2201-000119	C-CERAMIC,DISC;100nF,+80-20%,50V,Y5V,TP,	
...4	AA62-30012B	HEAT-SINK,ES;-,A6063 EXTR,-,-,45(16) T02		...4 CN101	3711-002642	CONNECTOR-HEADER;BOX,3P,1R,2.5mm,STRAIGH	
...3	IC107	AA96-00111L	ASSY-H/S;-AA62-30013L,KA78R12,-	...4 CN601	3711-002643	CONNECTOR-HEADER;BOX,4P,1R,2.5mm,STRAIGH	
...4	1203-000165	IC-POS,ADJUST REG.;78R12,TO-220,4P,-,PL		...4 CN902	3711-002642	CONNECTOR-HEADER;BOX,3P,1R,2.5mm,STRAIGH	
...4	6003-000333	SCREW-TAPTITE;RH,+,2S,M3,L10,ZPC(YEL),SW		...4 CNY01	3711-002645	CONNECTOR-HEADER;BOX,6P,1R,2.5mm,STRAIGH	
...4	AA62-30013L	HEAT-SINK,ES;-,44/22,-,WHT,-,-, S.N.A		...4 CZ101	2401-000832	C-AL;220uF,20%,25V,GP,TP,8x11,5,5	
△ ...3	TU101S	AA40-00032A	TUNER-F/S;TCPN3081PC09A(S),NTSC,TR,181C	...4 CZ102	2401-001840	C-AL;100uF,20%,16V,GP,TP,6.3x11,5	
△ ...3	TU102S	AA40-00032A	TUNER-F/S;TCPN3081PC09A(S),NTSC,TR,181C	...4 CZ103	2401-000689	C-AL;2200uF,20%,16V,GP,TP,13x25,5	
...3	AA99-10211S	ASSY-PCB MAIN,AUTO; AA99-30217G _V	S.N.A	...4 CZ104	2401-000689	C-AL;2200uF,20%,16V,GP,TP,13x25,5	
...4	C100	2401-001397	C-AL;470uF,20%,25V,GP,TP,10x16,5	...4 CZ105	2201-000119	C-CERAMIC,DISC;100nF,+80-20%,50V,Y5V,TP,	
...4	C101	2401-001397	C-AL;470uF,20%,25V,GP,TP,10x16,5	...4 CZ106	2201-000119	C-CERAMIC,DISC;100nF,+80-20%,50V,Y5V,TP,	
...4	C102	2401-000611	C-AL;1uF,20%,50V,WT,TP,5x11,5	...4 CZ107	2201-000119	C-CERAMIC,DISC;100nF,+80-20%,50V,Y5V,TP,	
...4	C103	2401-000302	C-AL;100uF,20%,25V,GP,TP,6.3x11,5	...4 CZ108	2201-000982	C-CERAMIC,DISC;10nF,+80-20%,50V,Y5V,TP,4	
...4	C104	2401-000603	C-AL;1uF,20%,50V,GP,TP,5x11,5	...4 CZ109	2202-000632	C-CERAMIC,MLC-AXIAL;100nF,20%,50V,Z5U,TP	
...4	C105	2401-000302	C-AL;100uF,20%,25V,GP,TP,6.3x11,5	...4 CZ110	2202-000632	C-CERAMIC,MLC-AXIAL;100nF,20%,50V,Z5U,TP	
...4	C106	2401-002463	C-AL;470uF,20%,16V,GP,TP,8x11,5,5	...4 D603	0401-000005	DIODE-SWITCHING;1N4148,100V,200mA,DO-35,	
...4	C107	2401-002463	C-AL;470uF,20%,16V,GP,TP,8x11,5,5	...4 D604	0401-000005	DIODE-SWITCHING;1N4148,100V,200mA,DO-35,	
...4	C110	2301-000383	C-FILM,PEF;10nF,5%,50V,TP,6x7x3.2mm,5mm	...4 D605	0401-000005	DIODE-SWITCHING;1N4148,100V,200mA,DO-35,	
...4	C111	2201-000180	C-CERAMIC,DISC;10nF,10%,50V,Y5V,TP,7x3,5	...4 D606	0401-000005	DIODE-SWITCHING;1N4148,100V,200mA,DO-35,	
...4	C117	2201-000119	C-CERAMIC,DISC;100nF,+80-20%,50V,Y5V,TP,	...4 D664	0402-000546	DIODE-RECTIFIER;TVR10G,400V,1.0A,DO-41,T	
...4	C118	2305-000665	C-FILM,MPEF;100nF,5%,63V,TP,7.5x4.0x5.0m	...4 D665	0401-000005	DIODE-SWITCHING;1N4148,100V,200mA,DO-35,	
...4	C119	2301-000383	C-FILM,PEF;10nF,5%,50V,TP,6x7x3.2mm,5mm	...4 D701	0401-000005	DIODE-SWITCHING;1N4148,100V,200mA,DO-35,	
...4	C120	2301-000383	C-FILM,PEF;10nF,5%,50V,TP,6x7x3.2mm,5mm	...4 D702	0401-000005	DIODE-SWITCHING;1N4148,100V,200mA,DO-35,	
				...4 D703	0401-000005	DIODE-SWITCHING;1N4148,100V,200mA,DO-35,	
				...4 DZ128	0402-000546	DIODE-RECTIFIER;TVR10G,400V,1.0A,DO-41,T	
				...4 DZ665	0403-001039	DIODE-ZENER;MAZ560,56V,52-60V,1W,DO-41,T	
				...4 DZ701	0403-001140	DIODE-ZENER;RD10ESAB-T,10V,9.19-10.30V,	

Electrical Parts List

Loc. No.	Code No.	Description ; Specification	Remark	Loc. No.	Code No.	Description ; Specification	Remark
....4 DZ801	0403-000700	DIODE-ZENER;TZP33A,33V,31-35V,1W,DO-41,T		....4 RZ102	2001-000429	R-CARBON;1KOHM,5%,1/8W,AA,TP,1.8X3.2MM	
....4 L100	2701-000159	INDUCTOR-AXIAL;22uH,10%,4.2x9.8mm		....2	AA59-00218A	MODULE;SVP-5200,F301-P03,BK	
....4 L101	2701-000115	INDUCTOR-AXIAL;10uH,10%,3x7mm		....2	AA95-01132A	ASSY-PCB,PROSCAN;PCL6215R,P54A	
....4 L102	2701-000159	INDUCTOR-AXIAL;22uH,10%,4.2x9.8mm		....3 CN01	3703-001124	CONNECTOR-DIN;32P2R,MALE,ANGLE,AUF	
....4 L103	2701-000115	INDUCTOR-AXIAL;10uH,10%,3x7mm		....3 CN02	3703-001124	CONNECTOR-DIN;32P2R,MALE,ANGLE,AUF	
....4 L104	2701-000115	INDUCTOR-AXIAL;10uH,10%,3x7mm		....3 CX01	2801-004019	CRYSTAL-UNIT;20.25MHz,30ppm,28-AAM,13pF	
....4 L105	2701-000115	INDUCTOR-AXIAL;10uH,10%,3x7mm		....3 DX01	2801-003811	CRYSTAL-UNIT;24.576MHz,20PPM,28-AAM,30PF	
....4 L107	2701-000115	INDUCTOR-AXIAL;10uH,10%,3x7mm		....3 XP701	2801-004019	CRYSTAL-UNIT;20.25MHz,30ppm,28-AAM,13pF	
....4 L108	2701-001007	INDUCTOR-AXIAL;24uH,10%,4.5x14mm		....3	AA99-20093K	ASSY-PCB SUB,AUTO; AA95-01132A V	S.N.A
....4 L110	2701-000116	INDUCTOR-AXIAL;10uH,10%,4.2x9.8mm		....4 CC01	2203-001603	C-CERAMIC,CHIP;220nF,10%,16V,X7R,TP,2012	
....4 L111	3301-000287	CORE-FERRITE BEAD;AA,3.5x1.0x6.0mm,1500,		....4 CC02	2203-001603	C-CERAMIC,CHIP;220nF,10%,16V,X7R,TP,2012	
....4 L112	3301-000287	CORE-FERRITE BEAD;AA,3.5x1.0x6.0mm,1500,		....4 CC03	2203-001603	C-CERAMIC,CHIP;220nF,10%,16V,X7R,TP,2012	
....4 L113	2901-000297	FILTER-EMI ON BOARD;-3A,-,3.5x5,TP,-		....4 CC04	2203-001603	C-CERAMIC,CHIP;220nF,10%,16V,X7R,TP,2012	
....4 L603	3301-000287	CORE-FERRITE BEAD;AA,3.5x1.0x6.0mm,1500,		....4 CC05	2203-000140	C-CERAMIC,CHIP;1.5nF,10%,50V,X7R,TP,1608	
....4 L604	3301-000287	CORE-FERRITE BEAD;AA,3.5x1.0x6.0mm,1500,		....4 CC06	2203-000838	C-CERAMIC,CHIP;0.39nF,5%,50V,NPO,TP,1608	
....4 L605	3301-000287	CORE-FERRITE BEAD;AA,3.5x1.0x6.0mm,1500,		....4 CC07	2203-000181	C-CERAMIC,CHIP;100nF,+80-20%,25V,Y5V,TP,	
....4 L901	2701-000115	INDUCTOR-AXIAL;10uH,10%,3x7mm		....4 CC08	2203-000975	C-CERAMIC,CHIP;47nF,10%,25V,X7R,TP,1608,	
....4 LDZ101	0403-000510	DIODE-ZENER;MTZJ6.2B,6.2V,5.96-6.27V,500		....4 CC09	2203-000140	C-CERAMIC,CHIP;1.5nF,10%,50V,X7R,TP,1608	
....4 LDZ102	0403-000510	DIODE-ZENER;MTZJ6.2B,6.2V,5.96-6.27V,500		....4 CC10	2203-000181	C-CERAMIC,CHIP;100nF,+80-20%,25V,Y5V,TP,	
....4 LZ101	2701-000142	INDUCTOR-AXIAL;1uH,10%,2.5x3.4mm		....4 CC11	2203-000181	C-CERAMIC,CHIP;100nF,+80-20%,25V,Y5V,TP,	
....4 LZ102	2701-000142	INDUCTOR-AXIAL;1uH,10%,2.5x3.4mm		....4 CC12	2203-000181	C-CERAMIC,CHIP;100nF,+80-20%,25V,Y5V,TP,	
....4 LZ103	2701-001030	INDUCTOR-AXIAL;43uH,10%,5x14mm		....4 CC13	2203-000181	C-CERAMIC,CHIP;100nF,+80-20%,25V,Y5V,TP,	
....4 LZ104	2701-001030	INDUCTOR-AXIAL;43uH,10%,5x14mm		....4 CC14	2203-000181	C-CERAMIC,CHIP;100nF,+80-20%,25V,Y5V,TP,	
....4 PCB	AA41-00332C	PCB-MAIN;PCL545R,FR-1,1L,C,1.6T,330X24	S.N.A	....4 CC15	2203-001646	C-CERAMIC,CHIP;3pF,0.5pF,50V,NPO,TP,2012	
....4 Q601	0501-000389	TR-SMALL SIGNAL;KSC815,NPN,400mW,TO-92,T		....4 CC16	2203-001646	C-CERAMIC,CHIP;3pF,0.5pF,50V,NPO,TP,2012	
....4 Q666	0501-000389	TR-SMALL SIGNAL;KSC815,NPN,400mW,TO-92,T		....4 CC17	2401-002183	C-AL;220uF,20%,16V,GP,TP,8x9.5mm	
....4 Q668	0501-000389	TR-SMALL SIGNAL;KSC815,NPN,400mW,TO-92,T		....4 CC18	2203-000975	C-CERAMIC,CHIP;47nF,10%,25V,X7R,TP,1608,	
....4 Q701	0501-000389	TR-SMALL SIGNAL;KSC815,NPN,400mW,TO-92,T		....4 CC19	2401-001496	C-AL;47uF,20%,16V,GP,TP,5x7.5	
....4 Q702	0501-000389	TR-SMALL SIGNAL;KSC815,NPN,400mW,TO-92,T		....4 CC20	2203-001603	C-CERAMIC,CHIP;220nF,10%,16V,X7R,TP,2012	
....4 R102	2001-000281	R-CARBON;100OHM,5%,1/8W,AA,TP,1.8X3.2M		....4 CC21	2203-000140	C-CERAMIC,CHIP;1.5nF,10%,50V,X7R,TP,1608	
....4 R103	2001-000281	R-CARBON;100OHM,5%,1/8W,AA,TP,1.8X3.2M		....4 CC22	2203-000838	C-CERAMIC,CHIP;0.39nF,5%,50V,NPO,TP,1608	
....4 R104	2001-000066	R-CARBON(S);10KOHM,5%,1/2W,AA,TP,2.4X6.4		....4 CC23	2203-000440	C-CERAMIC,CHIP;1nF,10%,50V,X7R,TP,1608,-	
....4 R105	2001-000281	R-CARBON;100OHM,5%,1/8W,AA,TP,1.8X3.2M		....4 CC24	2203-000590	C-CERAMIC,CHIP;330nF,10%,16V,X7R,TP,2012	
....4 R106	2001-000281	R-CARBON;100OHM,5%,1/8W,AA,TP,1.8X3.2M		....4 CC25	2203-000590	C-CERAMIC,CHIP;330nF,10%,16V,X7R,TP,2012	
....4 R107	2001-000739	R-CARBON;4.7MOHM,5%,1/8W,AA,TP,1.8X3.2		....4 CC26	2203-000590	C-CERAMIC,CHIP;330nF,10%,16V,X7R,TP,2012	
....4 R110	2001-000739	R-CARBON;4.7MOHM,5%,1/8W,AA,TP,1.8X3.2		....4 CC27	2203-000590	C-CERAMIC,CHIP;330nF,10%,16V,X7R,TP,2012	
....4 R111	2001-000037	R-CARBON(S);330OHM,5%,1/2W,AA,TP,2.4X6.4		....4 CC28	2401-001496	C-AL;47uF,20%,16V,GP,TP,5x7.5	
....4 R112	2001-000739	R-CARBON;4.7MOHM,5%,1/8W,AA,TP,1.8X3.2		....4 CC29	2203-001603	C-CERAMIC,CHIP;220nF,10%,16V,X7R,TP,2012	
....4 R113	2001-000739	R-CARBON;4.7MOHM,5%,1/8W,AA,TP,1.8X3.2		....4 CC30	2203-000140	C-CERAMIC,CHIP;1.5nF,10%,50V,X7R,TP,1608	
....4 R115	2001-000869	R-CARBON;56OHM,5%,1/8W,AA,TP,1.8X3.2MM		....4 CC31	2203-000838	C-CERAMIC,CHIP;0.39nF,5%,50V,NPO,TP,1608	
....4 R117	2001-000938	R-CARBON;68OHM,5%,1/8W,AA,TP,1.8X3.2MM		....4 CC32	2401-002183	C-AL;220uF,20%,16V,GP,TP,8x9.5mm	
....4 R602	2001-000429	R-CARBON;1KOHM,5%,1/8W,AA,TP,1.8X3.2MM		....4 CC33	2203-000975	C-CERAMIC,CHIP;47nF,10%,25V,X7R,TP,1608,	
....4 R603	2001-001097	R-CARBON(S);2.4KOHM,5%,1/2W,AA,TP,2.4X6.4		....4 CC35	2203-000590	C-CERAMIC,CHIP;330nF,10%,16V,X7R,TP,2012	
....4 R604	2001-001168	R-CARBON(S);6.8KOHM,5%,1/2W,AA,TP,2.4X6.4		....4 CC36	2203-000590	C-CERAMIC,CHIP;330nF,10%,16V,X7R,TP,2012	
....4 R605	2001-001106	R-CARBON(S);22KOHM,5%,1/2W,AA,TP,2.4X6.4		....4 CC37	2203-000681	C-CERAMIC,CHIP;0.027nF,5%,50V,NPO,TP,160	
....4 R661	2004-001970	R-METAL(S);1.8Kohm,1%,1/2W,AA,TP,6.5x2.5		....4 CC38	2203-000681	C-CERAMIC,CHIP;0.027nF,5%,50V,NPO,TP,160	
....4 R662	2004-001970	R-METAL(S);1.8Kohm,1%,1/2W,AA,TP,6.5x2.5		....4 CC40	2203-000681	C-CERAMIC,CHIP;0.027nF,5%,50V,NPO,TP,160	
....4 R663	2001-000660	R-CARBON;33KOHM,5%,1/8W,AA,TP,1.8X3.2M		....4 CC41	2203-000998	C-CERAMIC,CHIP;0.047nF,5%,50V,NPO,TP,160	
....4 R664	2004-001970	R-METAL(S);1.8Kohm,1%,1/2W,AA,TP,6.5x2.5		....4 CC42	2401-001496	C-AL;47uF,20%,16V,GP,TP,5x7.5	
....4 R665	2001-000066	R-CARBON(S);10KOHM,5%,1/2W,AA,TP,2.4X6.4		....4 CC43	2203-000181	C-CERAMIC,CHIP;100nF,+80-20%,25V,Y5V,TP,	
....4 R666	2001-000066	R-CARBON(S);10KOHM,5%,1/2W,AA,TP,2.4X6.4		....4 CC44	2401-001496	C-AL;47uF,20%,16V,GP,TP,5x7.5	
....4 R669	2001-001121	R-CARBON(S);3.6KOHM,5%,1/2W,AA,TP,2.4X6.4		....4 CC45	2401-000486	C-AL;10uF,20%,50V,GP,TP,6.3x7mm,5	
....4 R670	2001-000085	R-CARBON(S);10KOHM,5%,1/2W,AA,TP,2.4X6.4		....4 CC47	2203-000181	C-CERAMIC,CHIP;100nF,+80-20%,25V,Y5V,TP,	
....4 R671	2001-000066	R-CARBON(S);10KOHM,5%,1/2W,AA,TP,2.4X6.4		....4 CC48	2203-0005384	C-CERAMIC,CHIP;470nF,+80-20%,10V,Y5V,TP	
....4 R672	2001-000066	R-CARBON(S);10KOHM,5%,1/2W,AA,TP,2.4X6.4		....4 CC49	2203-0005384	C-CERAMIC,CHIP;470nF,+80-20%,10V,Y5V,TP	
....4 R673	2001-001086	R-CARBON(S);18KOHM,5%,1/2W,AA,TP,2.4X6.4		....4 CC50	2203-0005384	C-CERAMIC,CHIP;470nF,+80-20%,10V,Y5V,TP	
....4 R673A	2001-001144	R-CARBON(S);4.7KOHM,5%,1/2W,AA,TP,2.4X6.4		....4 CD01	0401-000133	DIODE-SWITCHING;RLS4148,100V,200MA,SOD-8	
....4 R681	2004-001970	R-METAL(S);1.8Kohm,1%,1/2W,AA,TP,6.5x2.5		....4 CD02	0401-000133	DIODE-SWITCHING;RLS4148,100V,200MA,SOD-8	
....4 R682	2004-002019	R-METAL(S);33Kohm,1%,1/2W,AA,TP,2.5x6.5mm		....4 CF01	2901-001120	FILTER-EMI SMD;25V,100mA,-,-,3.2x1.6x1,T	
....4 R683	2004-002019	R-METAL(S);33Kohm,1%,1/2W,AA,TP,2.5x6.5mm		....4 CF02	2901-001120	FILTER-EMI SMD;25V,100mA,-,-,3.2x1.6x1,T	
....4 R685	2004-001390	R-METAL(S);1Kohm,2%,1/2W,AA,TP,2.4x6.4mm		....4 CL03	3301-001186	CORE-FERRITE BEAD;AB,600ohm,3.2x1.6x1.3m	
....4 R686	2004-001390	R-METAL(S);1Kohm,2%,1/2W,AA,TP,2.4x6.4mm		....4 CL05	3301-001324	CORE-FERRITE BEAD;AB,150HM,2X1.25X0.9MM,	
....4 R687	2001-001146	R-CARBON(S);4.7OHM,5%,1/2W,AA,TP,2.4X6.4		....4 CL06	3301-001324	CORE-FERRITE BEAD;AB,150HM,2X1.25X0.9MM,	
....4 R689	2001-001146	R-CARBON(S);4.7OHM,5%,1/2W,AA,TP,2.4X6.4		....4 CL07	3301-001324	CORE-FERRITE BEAD;AB,150HM,2X1.25X0.9MM,	
....4 R690	2001-001144	R-CARBON(S);4.7KOHM,5%,1/2W,AA,TP,2.4X6.4		....4 CP701	2203-000274	C-CERAMIC,CHIP;0.01nF,0.25pF,50V,NPO,TP,	
....4 R691	2001-001144	R-CARBON(S);4.7KOHM,5%,1/2W,AA,TP,2.4X6.4		....4 CP702	2203-000274	C-CERAMIC,CHIP;0.01nF,0.25pF,50V,NPO,TP,	
....4 R701	2001-000786	R-CARBON;47KOHM,5%,1/8W,AA,TP,1.8X3.2M		....4 CP703	2203-001223	C-CERAMIC,CHIP;0.82nF,10%,50V,X7R,TP,201	
....4 R702	2001-000290	R-CARBON;10KOHM,5%,1/8W,AA,TP,1.8X3.2M		....4 CP704	2203-000405	C-CERAMIC,CHIP;0.18nF,5%,50V,NPO,TP,1608	
....4 R703	2001-000290	R-CARBON;10KOHM,5%,1/8W,AA,TP,1.8X3.2M		....4 CP707	2401-001496	C-AL;47uF,20%,16V,GP,TP,5x7.5	
....4 R704	2001-000290	R-CARBON;10KOHM,5%,1/8W,AA,TP,1.8X3.2M		....4 CP708	2203-000181	C-CERAMIC,CHIP;100nF,+80-20%,25V,Y5V,TP,	
....4 R888	2003-001098	R-METAL OXIDE(S);22Kohm,5%,3W,AA,TP,6x16		....4 CP709	2401-001496	C-AL;47uF,20%,16V,GP,TP,5x7.5	
....4 RF101	2008-001116	R-FUSIBLE(S);0.68ohm,10%,2W,AG,TP,3.9x12		....4 CP710	2203-000181	C-CERAMIC,CHIP;100nF,+80-20%,25V,Y5V,TP,	
....4 RF104	2008-000266	R-FUSIBLE(S);1ohm,5%,2W,AF,TP,3.9x10mm		....4 CP724	2203-000181	C-CERAMIC,CHIP;100nF,+80-20%,25V,Y5V,TP,	
....4 RF121	2008-000266	R-FUSIBLE(S);1ohm,5%,2W,AF,TP,3.9x10mm		....4 CP725	2401-000598	C-AL;1uF,20%,50V,GP,TP,4x7.5	
....4 RZ01	2001-000037	R-CARBON(S);330OHM,5%,1/2W,AA,TP,2.4X6.4		....4 CP726	2203-000181	C-CERAMIC,CHIP;100nF,+80-20%,25V,Y5V,TP,	
....4 RZ02	2001-000739	R-CARBON;4.7MOHM,5%,1/8W,AA,TP,1.8X3.2		....4 CP727	2401-002183	C-AL;220uF,20%,16V,GP,TP,8x9.5mm	
....4 RZ101	2001-000429	R-CARBON;1KOHM,5%,1/8W,AA,TP,1.8X3.2MM		....4 CP728	2203-000257	C-CERAMIC,CHIP;10nF,10%,50V,X7R,TP,1608	

Loc. No.	Code No.	Description ; Specification	Remark	Loc. No.	Code No.	Description ; Specification	Remark
...4	CP729	2203-000257	C-CERAMIC,CHIP;10nF,10%,50V,X7R,TP,1608	...4	DC29	2203-000440	C-CERAMIC,CHIP;1nF,10%,50V,X7R,TP,1608,-
...4	CP730	2401-000665	C-AL;2.2uF,20%,50V,GP,TP,3.5x5,5	...4	DC30	2203-000440	C-CERAMIC,CHIP;1nF,10%,50V,X7R,TP,1608,-
...4	CP731	2401-000665	C-AL;2.2uF,20%,50V,GP,TP,3.5x5,5	...4	DC31	2203-000440	C-CERAMIC,CHIP;1nF,10%,50V,X7R,TP,1608,-
...4	CP732	2203-000181	C-CERAMIC,CHIP;100nF,+80-20%,25V,Y5V,TP	...4	DC32	2203-000181	C-CERAMIC,CHIP;100nF,+80-20%,25V,Y5V,TP
...4	CP733	2203-000181	C-CERAMIC,CHIP;100nF,+80-20%,25V,Y5V,TP	...4	DC33	2203-000181	C-CERAMIC,CHIP;100nF,+80-20%,25V,Y5V,TP
...4	CP734	2203-000181	C-CERAMIC,CHIP;100nF,+80-20%,25V,Y5V,TP	...4	DC34	2203-000998	C-CERAMIC,CHIP;0.047nF,5%,50V,NPO,TP,160
...4	CP741	2401-001496	C-AL;47uF,20%,16V,GP,TP,5x7,5	...4	DC35	2203-000181	C-CERAMIC,CHIP;100nF,+80-20%,25V,Y5V,TP
...4	CP742	2401-002183	C-AL;220uF,20%,16V,GP,TP,8x9,5mm	...4	DC36	2203-000236	C-CERAMIC,CHIP;0.1nF,5%,50V,NPO,TP,1608
...4	CP743	2401-002183	C-AL;220uF,20%,16V,GP,TP,8x9,5mm	...4	DC37	2203-000140	C-CERAMIC,CHIP;1.5nF,10%,50V,X7R,TP,1608
...4	CP744	2401-002183	C-AL;220uF,20%,16V,GP,TP,8x9,5mm	...4	DC38	2203-000236	C-CERAMIC,CHIP;0.1nF,5%,50V,NPO,TP,1608
...4	CP745	2203-000938	C-CERAMIC,CHIP;0.47nF,5%,50V,NPO,TP,2012	...4	DC39	2401-000598	C-AL;1uF,20%,50V,GP,TP,4x7,5
...4	CP746	2203-000938	C-CERAMIC,CHIP;0.47nF,5%,50V,NPO,TP,2012	...4	DD01	0401-000133	DIODE-SWITCHING;RLS4148,100V,200MA,SOD-8
...4	CP747	2203-000683	C-CERAMIC,CHIP;0.027nF,5%,50V,NPO,TP,201	...4	DD02	0401-000133	DIODE-SWITCHING;RLS4148,100V,200MA,SOD-8
...4	CP748	2203-001603	C-CERAMIC,CHIP;220nF,10%,16V,X7R,TP,2012	...4	DD03	0403-000689	DIODE-ZENER;DTZ5.1A,5.1V,4.84-5.04V,200m
...4	CP749	2203-001603	C-CERAMIC,CHIP;220nF,10%,16V,X7R,TP,2012	...4	DD06	0403-000689	DIODE-ZENER;DTZ5.1A,5.1V,4.84-5.04V,200m
...4	CP750	2203-000181	C-CERAMIC,CHIP;100nF,+80-20%,25V,Y5V,TP	...4	DD07	0401-000133	DIODE-SWITCHING;RLS4148,100V,200MA,SOD-8
...4	CP751	2203-000181	C-CERAMIC,CHIP;100nF,+80-20%,25V,Y5V,TP	...4	DL05	3301-001324	CORE-FERRITE BEAD;AB,150OHM,2X1.25X0.9MM,
...4	CP752	2203-000181	C-CERAMIC,CHIP;100nF,+80-20%,25V,Y5V,TP	...4	DL06	3301-001324	CORE-FERRITE BEAD;AB,150OHM,2X1.25X0.9MM,
...4	CP753	2203-000181	C-CERAMIC,CHIP;100nF,+80-20%,25V,Y5V,TP	...4	DL07	2703-000274	INDUCTOR-SMD;2.2uH,10%,1.25x2x0.85mm
...4	CP754	2203-000181	C-CERAMIC,CHIP;100nF,+80-20%,25V,Y5V,TP	...4	DQ01	0501-000280	TR-SMALL SIGNAL;KSA1182,PNP,150mW,SOT-23
...4	CP756	2203-000181	C-CERAMIC,CHIP;100nF,+80-20%,25V,Y5V,TP	...4	DR16	2007-000074	R-CHIP;100ohm,5%,1/16W,DA,TP,1608
...4	CP757	2203-000938	C-CERAMIC,CHIP;0.47nF,5%,50V,NPO,TP,2012	...4	DR17	2007-000074	R-CHIP;100ohm,5%,1/16W,DA,TP,1608
...4	CQ01	0501-000344	TR-SMALL SIGNAL;KSC1623-G,NPN,200mW,SOT-	...4	DR18	2007-000101	R-CHIP;82kOhm,5%,1/16W,DA,TP,1608
...4	CQ02	0501-000344	TR-SMALL SIGNAL;KSC1623-G,NPN,200mW,SOT-	...4	DR19	2007-000072	R-CHIP;47ohm,5%,1/16W,DA,TP,1608
...4	CQ03	0501-000344	TR-SMALL SIGNAL;KSC1623-G,NPN,200mW,SOT-	...4	DR20	2007-000081	R-CHIP;2.7kOhm,5%,1/16W,DA,TP,1608
...4	CQ04	0501-000344	TR-SMALL SIGNAL;KSC1623-G,NPN,200mW,SOT-	...4	DR22	2007-000084	R-CHIP;4.7kOhm,5%,1/16W,DA,TP,1608
...4	CQ05	0501-000344	TR-SMALL SIGNAL;KSC1623-G,NPN,200mW,SOT-	...4	DR23	2007-000097	R-CHIP;47kOhm,5%,1/16W,DA,TP,1608
...4	CR01	2007-001167	R-CHIP;75ohm,5%,1/16W,DA,TP,1608	...4	DR24	2007-000100	R-CHIP;68kOhm,5%,1/16W,DA,TP,1608
...4	CR02	2007-001166	R-CHIP;75OHM,5%,1/10W,DA,TP,2012	...4	DR25	2007-000129	R-CHIP;27kOhm,5%,1/16W,DA,TP,1608
...4	CR03	2007-001166	R-CHIP;75OHM,5%,1/10W,DA,TP,2012	...4	DR26	2007-000090	R-CHIP;10kOHM,5%,1/16W,DA,TP,1608
...4	CR04	2007-001166	R-CHIP;75OHM,5%,1/10W,DA,TP,2012	...4	DR27	2007-000127	R-CHIP;9.1kOhm,5%,1/16W,DA,TP,1608
...4	CR05	2007-001167	R-CHIP;75ohm,5%,1/16W,DA,TP,1608	...4	DR29	2007-000078	R-CHIP;1kOhm,5%,1/16W,DA,TP,1608
...4	CR06	2007-001167	R-CHIP;75ohm,5%,1/16W,DA,TP,1608	...4	DR30	2007-000078	R-CHIP;1kOhm,5%,1/16W,DA,TP,1608
...4	CR08	2007-001167	R-CHIP;75ohm,5%,1/16W,DA,TP,1608	...4	DR31	2007-000078	R-CHIP;1kOhm,5%,1/16W,DA,TP,1608
...4	CR09	2007-000074	R-CHIP;100ohm,5%,1/16W,DA,TP,1608	...4	DR32	2007-000118	R-CHIP;390ohm,5%,1/16W,DA,TP,1608
...4	CR10	2007-000074	R-CHIP;100ohm,5%,1/16W,DA,TP,1608	...4	DR33	2007-000078	R-CHIP;1kOhm,5%,1/16W,DA,TP,1608
...4	CR15	2007-000029	R-CHIP;00HM,5%,1/10W,DA,TP,2012	...4	DR34	2007-000074	R-CHIP;100ohm,5%,1/16W,DA,TP,1608
...4	CR16	2007-000029	R-CHIP;00HM,5%,1/10W,DA,TP,2012	...4	DR35	2007-000084	R-CHIP;4.7kOhm,5%,1/16W,DA,TP,1608
...4	CR20	2007-000074	R-CHIP;100ohm,5%,1/16W,DA,TP,1608	...4	DR36	2007-000077	R-CHIP;470ohm,5%,1/16W,DA,TP,1608
...4	CR22	2007-000074	R-CHIP;100ohm,5%,1/16W,DA,TP,1608	...4	DR37	2007-000084	R-CHIP;4.7kOhm,5%,1/16W,DA,TP,1608
...4	CR25	2007-001166	R-CHIP;75OHM,5%,1/10W,DA,TP,2012	...4	DR38	2007-000079	R-CHIP;1.8kOhm,5%,1/16W,DA,TP,1608
...4	CR27	2007-000074	R-CHIP;100ohm,5%,1/16W,DA,TP,1608	...4	DR40	2007-000074	R-CHIP;100ohm,5%,1/16W,DA,TP,1608
...4	CR28	2007-000078	R-CHIP;1kOhm,5%,1/16W,DA,TP,1608	...4	DR41	2007-000074	R-CHIP;100ohm,5%,1/16W,DA,TP,1608
...4	CR29	2007-000124	R-CHIP;2.2kOhm,5%,1/16W,DA,TP,1608	...4	DR44	2007-000084	R-CHIP;4.7kOhm,5%,1/16W,DA,TP,1608
...4	CR30	2007-000119	R-CHIP;560ohm,5%,1/16W,DA,TP,1608	...4	DR46	2007-000124	R-CHIP;2.2kOhm,5%,1/16W,DA,TP,1608
...4	CR31	2007-000643	R-CHIP;270ohm,5%,1/16W,DA,TP,1608	...4	IC01	1204-001789	IC-VIDEO PROCESS;VPC3230D-B3,QFP,80P,787
...4	CR32	2007-000290	R-CHIP;100OHM,5%,1/10W,DA,TP,2012	...4	IC02	1204-001623	IC-VERTICAL PROCESSO;SDA9400,QFP,64P,-,P
...4	CR33	2007-000290	R-CHIP;100OHM,5%,1/10W,DA,TP,2012	...4	IC03	1002-001045	IC-D/A CONVERTER;9280,8BIT,PLCC,68P,-,-,
...4	CR35	2007-000090	R-CHIP;10kOHM,5%,1/16W,DA,TP,1608	...4	IC04	1205-001172	IC-INTERFACE;CIP3250A-B1,PLCC,68P,-,PLAS
...4	CR37	2007-000074	R-CHIP;100ohm,5%,1/16W,DA,TP,1608	...4	IC06	1204-001372	IC-HOR./VER.PROCESSO;SDA9361,QFP,44P,-,P
...4	CR38	2007-000074	R-CHIP;100ohm,5%,1/16W,DA,TP,1608	...4	IC07	1204-001550	IC-VIDEO PROCESS;CXA2101AQ,QFP,80P,-,PLA
...4	CR39	2007-000074	R-CHIP;100ohm,5%,1/16W,DA,TP,1608	...4	IC11	1203-001419	IC-VOLTAGE REGULATOR;4931,TO-252,3P,6.6x
...4	CR45	2007-000074	R-CHIP;100ohm,5%,1/16W,DA,TP,1608	...4	IC12	1203-001140	IC-VOL. DETECTOR;7039,TO-92P,3P,-,PLASTI
...4	CR46	2007-000078	R-CHIP;1kOhm,5%,1/16W,DA,TP,1608	...4	IC13	1203-001419	IC-VOLTAGE REGULATOR;4931,TO-252,3P,6.6x
...4	CR47	2007-000097	R-CHIP;47kOhm,5%,1/16W,DA,TP,1608	...4	ICP701	1204-001668	IC-PICTURE PROCESS;SDA9488X,SOP,28P,300M
...4	CR48	2007-000097	R-CHIP;47kOhm,5%,1/16W,DA,TP,1608	...4	LP701	3301-001324	CORE-FERRITE BEAD;AB,150OHM,2X1.25X0.9MM,
...4	CR49	2007-000077	R-CHIP;470ohm,5%,1/16W,DA,TP,1608	...4	LP702	3301-001324	CORE-FERRITE BEAD;AB,150OHM,2X1.25X0.9MM,
...4	CR50	2007-000097	R-CHIP;47kOhm,5%,1/16W,DA,TP,1608	...4	LP703	3301-001324	CORE-FERRITE BEAD;AB,150OHM,2X1.25X0.9MM,
...4	CR51	2007-000097	R-CHIP;47kOhm,5%,1/16W,DA,TP,1608	...4	PC41	2401-001496	C-AL;47uF,20%,16V,GP,TP,5x7,5
...4	CR52	2007-000077	R-CHIP;470ohm,5%,1/16W,DA,TP,1608	...4	PC42	2203-000181	C-CERAMIC,CHIP;100nF,+80-20%,25V,Y5V,TP
...4	CR53	2007-000097	R-CHIP;47kOhm,5%,1/16W,DA,TP,1608	...4	PC43	2401-001496	C-AL;47uF,20%,16V,GP,TP,5x7,5
...4	CR54	2007-000097	R-CHIP;47kOhm,5%,1/16W,DA,TP,1608	...4	PCB	AA41-00398A	PCB-PROSCAN;PCL6215R,FR-4,4L,A,1.6T,245X
...4	CR55	2007-000077	R-CHIP;470ohm,5%,1/16W,DA,TP,1608	...4	PIC04	1203-001419	IC-VOLTAGE REGULATOR;4931,TO-252,3P,6.6x
...4	CR56	2007-000029	R-CHIP;00HM,5%,1/10W,DA,TP,2012	...4	PL01	3301-001324	CORE-FERRITE BEAD;AB,150OHM,2X1.25X0.9MM,
...4	DC16	2401-001496	C-AL;47uF,20%,16V,GP,TP,5x7,5	...4	PL02	3301-001324	CORE-FERRITE BEAD;AB,150OHM,2X1.25X0.9MM,
...4	DC17	2401-002009	C-AL;100uF,20%,16V,GP,TP,6.3x7,5	...4	PLO3	3301-001324	CORE-FERRITE BEAD;AB,150OHM,2X1.25X0.9MM,
...4	DC18	2203-000181	C-CERAMIC,CHIP;100nF,+80-20%,25V,Y5V,TP	...4	PLO4	3301-001324	CORE-FERRITE BEAD;AB,150OHM,2X1.25X0.9MM,
...4	DC19	2401-002009	C-AL;100uF,20%,16V,GP,TP,6.3x7,5	...4	PLO5	3301-001324	CORE-FERRITE BEAD;AB,150OHM,2X1.25X0.9MM,
...4	DC20	2203-000181	C-CERAMIC,CHIP;100nF,+80-20%,25V,Y5V,TP	...4	PR11	2007-000029	R-CHIP;00HM,5%,1/10W,DA,TP,2012
...4	DC21	2203-001083	C-CERAMIC,CHIP;0.005nF,0.1pF,50V,NPO,TP	...4	PR12	2007-000029	R-CHIP;00HM,5%,1/10W,DA,TP,2012
...4	DC22	2203-001083	C-CERAMIC,CHIP;0.005nF,0.1pF,50V,NPO,TP	...4	PR19	2007-000029	R-CHIP;00HM,5%,1/10W,DA,TP,2012
...4	DC23	2203-002494	C-CERAMIC,CHIP;470nF,10%,16V,X7R,TP,2012	...4	PR714	2007-000074	R-CHIP;100ohm,5%,1/16W,DA,TP,1608
...4	DC24	2203-001656	C-CERAMIC,CHIP;0.47nF,5%,50V,NPO,TP,1608	...4	PR715	2007-000074	R-CHIP;100ohm,5%,1/16W,DA,TP,1608
...4	DC25	2203-000440	C-CERAMIC,CHIP;1nF,10%,50V,X7R,TP,1608,-	...4	PR716	2007-000074	R-CHIP;100ohm,5%,1/16W,DA,TP,1608
...4	DC26	2203-000440	C-CERAMIC,CHIP;1nF,10%,50V,X7R,TP,1608,-	...4	PR717	2007-000074	R-CHIP;100ohm,5%,1/16W,DA,TP,1608
...4	DC27	2401-000598	C-AL;1uF,20%,50V,GP,TP,4x7,5	...4	PR718	2007-000074	R-CHIP;100ohm,5%,1/16W,DA,TP,1608
...4	DC28	2203-000181	C-CERAMIC,CHIP;100nF,+80-20%,25V,Y5V,TP	...4	PR719	2007-000074	R-CHIP;100ohm,5%,1/16W,DA,TP,1608

Electrical Parts List

Loc. No.	Code No.	Description ; Specification	Remark	Loc. No.	Code No.	Description ; Specification	Remark
....4 QP701	0501-000727	TR-SMALL SIGNAL;BC848C,NPN,310mW,SOT-23,		....4 SR22	2007-001167	R-CHIP;75ohm,5%,1/16W,DA,TP,1608	
....4 RP701	2007-000074	R-CHIP;100ohm,5%,1/16W,DA,TP,1608		....4 SR23	2007-001167	R-CHIP;75ohm,5%,1/16W,DA,TP,1608	
....4 RP702	2007-000077	R-CHIP;470ohm,5%,1/16W,DA,TP,1608		....4 SR24	2007-000090	R-CHIP;10KOHM,5%,1/16W,DA,TP,1608	
....4 RP703	2007-000078	R-CHIP;1Kohm,5%,1/16W,DA,TP,1608		....4 SR25	2007-000401	R-CHIP;150OHM,5%,1/10W,DA,TP,2012	
....4 RP704	2007-000074	R-CHIP;100ohm,5%,1/16W,DA,TP,1608		....4 YC01	2203-002494	C-CERAMIC,CHIP;470nF,10%,16V,X7R,TP,2012	
....4 RP705	2007-000074	R-CHIP;100ohm,5%,1/16W,DA,TP,1608		....4 YC02	2203-002494	C-CERAMIC,CHIP;470nF,10%,16V,X7R,TP,2012	
....4 RP706	2007-000074	R-CHIP;100ohm,5%,1/16W,DA,TP,1608		....4 YC03	2203-002494	C-CERAMIC,CHIP;470nF,10%,16V,X7R,TP,2012	
....4 RP740	2007-000070	R-CHIP;0ohm,5%,1/16W,DA,TP,1608		....4 YC04	2203-002494	C-CERAMIC,CHIP;470nF,10%,16V,X7R,TP,2012	
....4 RP741	2007-000075	R-CHIP;220ohm,5%,1/16W,DA,TP,1608		....4 YC05	2203-002494	C-CERAMIC,CHIP;470nF,10%,16V,X7R,TP,2012	
....4 RP742	2007-000075	R-CHIP;220ohm,5%,1/16W,DA,TP,1608		....4 YC06	2203-002494	C-CERAMIC,CHIP;470nF,10%,16V,X7R,TP,2012	
....4 RP743	2007-000075	R-CHIP;220ohm,5%,1/16W,DA,TP,1608		....4 YC07	2203-002494	C-CERAMIC,CHIP;470nF,10%,16V,X7R,TP,2012	
....4 RP744	2007-000075	R-CHIP;220ohm,5%,1/16W,DA,TP,1608		....4 YC08	2203-002494	C-CERAMIC,CHIP;470nF,10%,16V,X7R,TP,2012	
....4 RP745	2007-000075	R-CHIP;220ohm,5%,1/16W,DA,TP,1608		....4 YC09	2203-002494	C-CERAMIC,CHIP;470nF,10%,16V,X7R,TP,2012	
....4 RP746	2007-000075	R-CHIP;220ohm,5%,1/16W,DA,TP,1608		....4 YC10	2203-002494	C-CERAMIC,CHIP;470nF,10%,16V,X7R,TP,2012	
....4 SC01	2401-001496	C-AL;47uF,20%,16V,GP,TP,5x7,5		....4 YC11	2203-002494	C-CERAMIC,CHIP;470nF,10%,16V,X7R,TP,2012	
....4 SC02	2203-000181	C-CERAMIC,CHIP;100nF,+80-20%,25V,Y5V,TP,		....4 YC12	2203-002494	C-CERAMIC,CHIP;470nF,10%,16V,X7R,TP,2012	
....4 SC03	2401-001496	C-AL;47uF,20%,16V,GP,TP,5x7,5		....4 YC13	2203-002494	C-CERAMIC,CHIP;470nF,10%,16V,X7R,TP,2012	
....4 SC04	2203-000181	C-CERAMIC,CHIP;100nF,+80-20%,25V,Y5V,TP,		....4 YC14	2203-002494	C-CERAMIC,CHIP;470nF,10%,16V,X7R,TP,2012	
....4 SC05	2203-000181	C-CERAMIC,CHIP;100nF,+80-20%,25V,Y5V,TP,		....4 YC15	2203-002494	C-CERAMIC,CHIP;470nF,10%,16V,X7R,TP,2012	
....4 SC06	2203-000181	C-CERAMIC,CHIP;100nF,+80-20%,25V,Y5V,TP,		....4 YC16	2203-002494	C-CERAMIC,CHIP;470nF,10%,16V,X7R,TP,2012	
....4 SC07	2203-000181	C-CERAMIC,CHIP;100nF,+80-20%,25V,Y5V,TP,		....4 YC17	2203-002494	C-CERAMIC,CHIP;470nF,10%,16V,X7R,TP,2012	
....4 SC08	2203-000181	C-CERAMIC,CHIP;100nF,+80-20%,25V,Y5V,TP,		....4 YC18	2203-002494	C-CERAMIC,CHIP;470nF,10%,16V,X7R,TP,2012	
....4 SC09	2203-000181	C-CERAMIC,CHIP;100nF,+80-20%,25V,Y5V,TP,		....4 YC19	2203-002494	C-CERAMIC,CHIP;470nF,10%,16V,X7R,TP,2012	
....4 SC11	2203-000181	C-CERAMIC,CHIP;100nF,+80-20%,25V,Y5V,TP,		....4 YC20	2203-002494	C-CERAMIC,CHIP;470nF,10%,16V,X7R,TP,2012	
....4 SC12	2203-000181	C-CERAMIC,CHIP;100nF,+80-20%,25V,Y5V,TP,		....4 YC21	2401-001496	C-AL;47uF,20%,16V,GP,TP,5x7,5	
....4 SC13	2203-000181	C-CERAMIC,CHIP;100nF,+80-20%,25V,Y5V,TP,		....4 YC22	2203-000181	C-CERAMIC,CHIP;100nF,+80-20%,25V,Y5V,TP,	
....4 SC14	2203-000181	C-CERAMIC,CHIP;100nF,+80-20%,25V,Y5V,TP,		....4 YC23	2203-000257	C-CERAMIC,CHIP;10nF,10%,50V,X7R,TP,1608	
....4 SC21	2203-000181	C-CERAMIC,CHIP;100nF,+80-20%,25V,Y5V,TP,		....4 YC24	2203-000181	C-CERAMIC,CHIP;100nF,+80-20%,25V,Y5V,TP,	
....4 SC22	2401-003102	C-AL;100uF,20%,10V,GP,TP,5x11,5		....4 YC25	2203-000181	C-CERAMIC,CHIP;100nF,+80-20%,25V,Y5V,TP,	
....4 SC23	2203-000181	C-CERAMIC,CHIP;100nF,+80-20%,25V,Y5V,TP,		....4 YC26	2401-001496	C-AL;47uF,20%,16V,GP,TP,5x7,5	
....4 SC24	2203-000181	C-CERAMIC,CHIP;100nF,+80-20%,25V,Y5V,TP,		....4 YC27	2203-001603	C-CERAMIC,CHIP;220nF,10%,16V,X7R,TP,2012	
....4 SC25	2203-000140	C-CERAMIC,CHIP;1.5nF,10%,50V,X7R,TP,1608		....4 YC28	2203-001603	C-CERAMIC,CHIP;220nF,10%,16V,X7R,TP,2012	
....4 SC26	2203-000236	C-CERAMIC,CHIP;0.1nF,5%,50V,NPO,TP,1608		....4 YC29	2203-001603	C-CERAMIC,CHIP;220nF,10%,16V,X7R,TP,2012	
....4 SC27	2203-000181	C-CERAMIC,CHIP;100nF,+80-20%,25V,Y5V,TP,		....4 YC30	2203-002494	C-CERAMIC,CHIP;470nF,10%,16V,X7R,TP,2012	
....4 SC28	2203-000552	C-CERAMIC,CHIP;0.02nF,5%,50V,NPO,TP,1608		....4 YC31	2401-000486	C-AL;10uF,20%,50V,GP,TP,6.3x7mm,5	
....4 SC29	2203-000181	C-CERAMIC,CHIP;100nF,+80-20%,25V,Y5V,TP,		....4 YC32	2203-000257	C-CERAMIC,CHIP;10nF,10%,50V,X7R,TP,1608	
....4 SC30	2401-000480	C-AL;10uF,20%,50V,GP,TP,5x11,5		....4 YC33	2203-000257	C-CERAMIC,CHIP;10nF,10%,50V,X7R,TP,1608	
....4 SC31	2401-000480	C-AL;10uF,20%,50V,GP,TP,5x11,5		....4 YC34	2203-000257	C-CERAMIC,CHIP;10nF,10%,50V,X7R,TP,1608	
....4 SC32	2203-000181	C-CERAMIC,CHIP;100nF,+80-20%,25V,Y5V,TP,		....4 YC35	2203-000257	C-CERAMIC,CHIP;10nF,10%,50V,X7R,TP,1608	
....4 SC33	2203-000552	C-CERAMIC,CHIP;0.02nF,5%,50V,NPO,TP,1608		....4 YC36	2203-000257	C-CERAMIC,CHIP;10nF,10%,50V,X7R,TP,1608	
....4 SC34	2203-000181	C-CERAMIC,CHIP;100nF,+80-20%,25V,Y5V,TP,		....4 YC37	2203-000257	C-CERAMIC,CHIP;10nF,10%,50V,X7R,TP,1608	
....4 SC35	2203-000181	C-CERAMIC,CHIP;100nF,+80-20%,25V,Y5V,TP,		....4 YC38	2401-000486	C-AL;10uF,20%,50V,GP,TP,6.3x7mm,5	
....4 SC36	2401-000480	C-AL;10uF,20%,50V,GP,TP,5x11,5		....4 YC39	2203-000998	C-CERAMIC,CHIP;0.047nF,5%,50V,NPO,TP,160	
....4 SC37	2203-000181	C-CERAMIC,CHIP;100nF,+80-20%,25V,Y5V,TP,		....4 YC40	2203-000998	C-CERAMIC,CHIP;0.047nF,5%,50V,NPO,TP,160	
....4 SC38	2203-000552	C-CERAMIC,CHIP;0.02nF,5%,50V,NPO,TP,1608		....4 YC45	2203-002494	C-CERAMIC,CHIP;470nF,10%,16V,X7R,TP,2012	
....4 SC51	2401-001496	C-AL;47uF,20%,16V,GP,TP,5x7,5		....4 YC46	2203-000257	C-CERAMIC,CHIP;10nF,10%,50V,X7R,TP,1608	
....4 SC52	2203-000181	C-CERAMIC,CHIP;100nF,+80-20%,25V,Y5V,TP,		....4 YC47	2203-000257	C-CERAMIC,CHIP;10nF,10%,50V,X7R,TP,1608	
....4 SC53	2401-001496	C-AL;47uF,20%,16V,GP,TP,5x7,5		....4 YC48	2203-000257	C-CERAMIC,CHIP;10nF,10%,50V,X7R,TP,1608	
....4 SC54	2203-000181	C-CERAMIC,CHIP;100nF,+80-20%,25V,Y5V,TP,		....4 YC49	2203-000181	C-CERAMIC,CHIP;100nF,+80-20%,25V,Y5V,TP,	
....4 SF01	2901-001120	FILTER-EMI SMD;25V,100mA,--.,3.2x1.6x1,T		....4 YC50	2203-002494	C-CERAMIC,CHIP;470nF,10%,16V,X7R,TP,2012	
....4 SL01	3301-001324	CORE-FERRITE BEAD;AB,150HM,2X1.25X0.9MM,		....4 YC51	2203-000491	C-CERAMIC,CHIP;2.2nF,10%,50V,X7R,TP,1608	
....4 SL02	3301-001324	CORE-FERRITE BEAD;AB,150HM,2X1.25X0.9MM,		....4 YC52	2203-001083	C-CERAMIC,CHIP;0.005nF,0.1pf,50V,NPO,TP,	
....4 SL03	3301-001324	CORE-FERRITE BEAD;AB,150HM,2X1.25X0.9MM,		....4 YC53	2203-000181	C-CERAMIC,CHIP;100nF,+80-20%,25V,Y5V,TP,	
....4 SL04	3301-001324	CORE-FERRITE BEAD;AB,150HM,2X1.25X0.9MM,		....4 YC54	2203-000181	C-CERAMIC,CHIP;100nF,+80-20%,25V,Y5V,TP,	
....4 SL05	3301-001324	CORE-FERRITE BEAD;AB,150HM,2X1.25X0.9MM,		....4 YC55	2203-000181	C-CERAMIC,CHIP;100nF,+80-20%,25V,Y5V,TP,	
....4 SL06	3301-001324	CORE-FERRITE BEAD;AB,150HM,2X1.25X0.9MM,		....4 YC56	2203-000181	C-CERAMIC,CHIP;100nF,+80-20%,25V,Y5V,TP,	
....4 SL08	3301-001324	CORE-FERRITE BEAD;AB,150HM,2X1.25X0.9MM,		....4 YC57	2401-001496	C-AL;47uF,20%,16V,GP,TP,5x7,5	
....4 SL09	3301-001186	CORE-FERRITE BEAD;AB,600ohm,3.2x1.6x1.3m		....4 YC58	2203-000181	C-CERAMIC,CHIP;100nF,+80-20%,25V,Y5V,TP,	
....4 SR01	2007-000074	R-CHIP;100ohm,5%,1/16W,DA,TP,1608		....4 YC59	2203-000181	C-CERAMIC,CHIP;100nF,+80-20%,25V,Y5V,TP,	
....4 SR02	2007-000074	R-CHIP;100ohm,5%,1/16W,DA,TP,1608		....4 YC60	2203-000181	C-CERAMIC,CHIP;100nF,+80-20%,25V,Y5V,TP,	
....4 SR03	2007-000074	R-CHIP;100ohm,5%,1/16W,DA,TP,1608		....4 YC62	2401-000598	C-AL;1uF,20%,50V,GP,TP,4x7,5	
....4 SR04	2011-000585	R-NETWORK;47ohm,5%,63mW,L,CHIP,8P,TP		....4 YC63	2203-000236	C-CERAMIC,CHIP;0.1nF,5%,50V,NPO,TP,1608	
....4 SR05	2011-000585	R-NETWORK;47ohm,5%,63mW,L,CHIP,8P,TP		....4 YC66	2203-000815	C-CERAMIC,CHIP;0.033nF,5%,50V,NPO,TP,160	
....4 SR06	2011-000585	R-NETWORK;47ohm,5%,63mW,L,CHIP,8P,TP		....4 YD01	0403-000620	DIODE-ZENER;RLZ5.6B,5.6.500mW,LL-34,TP	
....4 SR07	2011-000585	R-NETWORK;47ohm,5%,63mW,L,CHIP,8P,TP		....4 YD02	0403-000620	DIODE-ZENER;RLZ5.6B,5.6.500mW,LL-34,TP	
....4 SR08	2007-000074	R-CHIP;100ohm,5%,1/16W,DA,TP,1608		....4 YD03	0403-001117	DIODE-ZENER;RLZ12B,5%,500mW,LL-34,TP	
....4 SR09	2007-000074	R-CHIP;100ohm,5%,1/16W,DA,TP,1608		....4 YD04	0403-001117	DIODE-ZENER;RLZ12B,5%,500mW,LL-34,TP	
....4 SR11	2007-000074	R-CHIP;100ohm,5%,1/16W,DA,TP,1608		....4 YD05	0403-001117	DIODE-ZENER;RLZ12B,5%,500mW,LL-34,TP	
....4 SR12	2007-001056	R-CHIP;6.2Kohm,5%,1/16W,DA,TP,1608		....4 YF01	2901-001120	FILTER-EMI SMD;25V,100mA,--.,3.2x1.6x1,T	
....4 SR13	2007-000402	R-CHIP;150ohm,5%,1/16W,DA,TP,1608		....4 YF02	2901-001120	FILTER-EMI SMD;25V,100mA,--.,3.2x1.6x1,T	
....4 SR14	2007-001167	R-CHIP;75ohm,5%,1/16W,DA,TP,1608		....4 YF03	2901-001120	FILTER-EMI SMD;25V,100mA,--.,3.2x1.6x1,T	
....4 SR15	2007-001167	R-CHIP;75ohm,5%,1/16W,DA,TP,1608		....4 YF04	2901-001120	FILTER-EMI SMD;25V,100mA,--.,3.2x1.6x1,T	
....4 SR16	2007-000402	R-CHIP;150ohm,5%,1/16W,DA,TP,1608		....4 YF05	2901-001120	FILTER-EMI SMD;25V,100mA,--.,3.2x1.6x1,T	
....4 SR17	2007-001167	R-CHIP;75ohm,5%,1/16W,DA,TP,1608		....4 YL01	3301-001186	CORE-FERRITE BEAD;AB,600ohm,3.2x1.6x1.3m	
....4 SR18	2007-001167	R-CHIP;75ohm,5%,1/16W,DA,TP,1608		....4 YL02	2703-000271	INDUCTOR-SMD;4.7uH,10%,2x1.25x1.25mm	
....4 SR19	2007-000381	R-CHIP;13Kohm,5%,1/16W,DA,TP,1608		....4 YQ01	0501-000280	TR-SMALL SIGNAL;KSA1182,PNP,150mW,SOT-23	
....4 SR21	2007-000402	R-CHIP;150ohm,5%,1/16W,DA,TP,1608		....4 YQ02	0501-000280	TR-SMALL SIGNAL;KSA1182,PNP,150mW,SOT-23	

Loc. No.	Code No.	Description ; Specification	Remark	Loc. No.	Code No.	Description ; Specification	Remark
...4 YQ03	0501-000280	TR-SMALL SIGNAL;KSA1182,PNP,150mW,SOT-23		...3	AA99-20087Z	ASSY-PCB SUB,AUTO; AA95-00706C _V	S.N.A
...4 YQ06	0501-000344	TR-SMALL SIGNAL;KSC1623-G,NPN,200mW,SOT-		...4 C101	2402-001042	C-AL,SMD;100uF,20%,16V,GP,TP,6.6x6.6x5	
...4 YQ08	0501-000280	TR-SMALL SIGNAL;KSA1182,PNP,150mW,SOT-23		...4 C102	2402-001042	C-AL,SMD;100uF,20%,16V,GP,TP,6.6x6.6x5	
...4 YQ11	0501-000344	TR-SMALL SIGNAL;KSC1623-G,NPN,200mW,SOT-		...4 C103	2402-001042	C-AL,SMD;100uF,20%,16V,GP,TP,6.6x6.6x5	
...4 YQ12	0501-000344	TR-SMALL SIGNAL;KSC1623-G,NPN,200mW,SOT-		...4 C104	2203-000181	C-CERAMIC,CHIP;100nF,+80-20%,25V,Y5V,TP	
...4 YR05	2007-000074	R-CHIP;100ohm,5%,1/16W,DA,TP,1608		...4 C105	2203-000851	C-CERAMIC,CHIP;0.039nF,5%,50V,NPO,TP,160	
...4 YR06	2007-000074	R-CHIP;100ohm,5%,1/16W,DA,TP,1608		...4 C106	2203-000181	C-CERAMIC,CHIP;100nF,+80-20%,25V,Y5V,TP	
...4 YR07	2007-000074	R-CHIP;100ohm,5%,1/16W,DA,TP,1608		...4 C107	2203-000715	C-CERAMIC,CHIP;3.3nF,10%,50V,X7R,TP,1608	
...4 YR08	2007-000074	R-CHIP;100ohm,5%,1/16W,DA,TP,1608		...4 C108	2402-000170	C-AL,SMD;1uF,20%,50V,GP,TP,4.3x4.3x5.4	
...4 YR09	2007-000074	R-CHIP;100ohm,5%,1/16W,DA,TP,1608		...4 C109	2203-000181	C-CERAMIC,CHIP;100nF,+80-20%,25V,Y5V,TP	
...4 YR10	2007-000074	R-CHIP;100ohm,5%,1/16W,DA,TP,1608		...4 C110	2203-000440	C-CERAMIC,CHIP;1nF,10%,50V,X7R,TP,1608,-	
...4 YR100	2007-000074	R-CHIP;100ohm,5%,1/16W,DA,TP,1608		...4 C111	2203-000181	C-CERAMIC,CHIP;100nF,+80-20%,25V,Y5V,TP	
...4 YR101	2007-000074	R-CHIP;100ohm,5%,1/16W,DA,TP,1608		...4 C112	2203-000681	C-CERAMIC,CHIP;0.027nF,5%,50V,NPO,TP,160	
...4 YR102	2007-000074	R-CHIP;100ohm,5%,1/16W,DA,TP,1608		...4 C113	2203-000681	C-CERAMIC,CHIP;0.027nF,5%,50V,NPO,TP,160	
...4 YR103	2007-000074	R-CHIP;100ohm,5%,1/16W,DA,TP,1608		...4 C114	2203-000181	C-CERAMIC,CHIP;100nF,+80-20%,25V,Y5V,TP	
...4 YR104	2007-000074	R-CHIP;100ohm,5%,1/16W,DA,TP,1608		...4 C115	2203-000181	C-CERAMIC,CHIP;100nF,+80-20%,25V,Y5V,TP	
...4 YR105	2007-000074	R-CHIP;100ohm,5%,1/16W,DA,TP,1608		...4 C116	2203-000181	C-CERAMIC,CHIP;100nF,+80-20%,25V,Y5V,TP	
...4 YR11	2007-000074	R-CHIP;100ohm,5%,1/16W,DA,TP,1608		...4 C117	2203-000181	C-CERAMIC,CHIP;100nF,+80-20%,25V,Y5V,TP	
...4 YR12	2007-000074	R-CHIP;100ohm,5%,1/16W,DA,TP,1608		...4 C118	2203-000181	C-CERAMIC,CHIP;100nF,+80-20%,25V,Y5V,TP	
...4 YR14	2007-000077	R-CHIP;470ohm,5%,1/16W,DA,TP,1608		...4 C119	2203-000181	C-CERAMIC,CHIP;100nF,+80-20%,25V,Y5V,TP	
...4 YR15	2007-000939	R-CHIP;47Kohm,1%,1/16W,DA,TP,1608		...4 C120	2203-000181	C-CERAMIC,CHIP;100nF,+80-20%,25V,Y5V,TP	
...4 YR18	2007-000074	R-CHIP;100ohm,5%,1/16W,DA,TP,1608		...4 C121	2203-000181	C-CERAMIC,CHIP;100nF,+80-20%,25V,Y5V,TP	
...4 YR23	2007-000078	R-CHIP;1Kohm,5%,1/16W,DA,TP,1608		...4 C122	2203-000181	C-CERAMIC,CHIP;100nF,+80-20%,25V,Y5V,TP	
...4 YR24	2007-000078	R-CHIP;1Kohm,5%,1/16W,DA,TP,1608		...4 C123	2203-000181	C-CERAMIC,CHIP;100nF,+80-20%,25V,Y5V,TP	
...4 YR25	2007-000074	R-CHIP;100ohm,5%,1/16W,DA,TP,1608		...4 C124	2203-000181	C-CERAMIC,CHIP;100nF,+80-20%,25V,Y5V,TP	
...4 YR26	2007-000074	R-CHIP;100ohm,5%,1/16W,DA,TP,1608		...4 C125	2203-000181	C-CERAMIC,CHIP;100nF,+80-20%,25V,Y5V,TP	
...4 YR27	2007-000074	R-CHIP;100ohm,5%,1/16W,DA,TP,1608		...4 C126	2203-000181	C-CERAMIC,CHIP;100nF,+80-20%,25V,Y5V,TP	
...4 YR28	2007-000074	R-CHIP;100ohm,5%,1/16W,DA,TP,1608		...4 C127	2203-000181	C-CERAMIC,CHIP;100nF,+80-20%,25V,Y5V,TP	
...4 YR29	2007-000210	R-CHIP;1.1KOHM,5%,1/10W,DA,TP,2012		...4 C128	2203-000181	C-CERAMIC,CHIP;100nF,+80-20%,25V,Y5V,TP	
...4 YR30	2007-000074	R-CHIP;100ohm,5%,1/16W,DA,TP,1608		...4 C129	2203-000181	C-CERAMIC,CHIP;100nF,+80-20%,25V,Y5V,TP	
...4 YR31	2007-000210	R-CHIP;1.1KOHM,5%,1/10W,DA,TP,2012		...4 C130	2203-000181	C-CERAMIC,CHIP;100nF,+80-20%,25V,Y5V,TP	
...4 YR32	2007-000074	R-CHIP;100ohm,5%,1/16W,DA,TP,1608		...4 C131	2203-000181	C-CERAMIC,CHIP;100nF,+80-20%,25V,Y5V,TP	
...4 YR33	2007-000210	R-CHIP;1.1KOHM,5%,1/10W,DA,TP,2012		...4 C132	2203-000405	C-CERAMIC,CHIP;0.18nF,5%,50V,NPO,TP,1608	
...4 YR40	2007-000691	R-CHIP;3.3Mohm,5%,1/16W,DA,TP,1608		...4 C133	2402-001049	C-AL,CHIP;10uF,20%,16V,GP,TP,3.3x3.3x5	
...4 YR41	2007-000074	R-CHIP;100ohm,5%,1/16W,DA,TP,1608		...4 C134	2203-000181	C-CERAMIC,CHIP;100nF,+80-20%,25V,Y5V,TP	
...4 YR43	2007-000799	R-CHIP;360ohm,5%,1/16W,DA,TP,1608		...4 C135	2203-000715	C-CERAMIC,CHIP;3.3nF,10%,50V,X7R,TP,1608	
...4 YR44	2007-000799	R-CHIP;360ohm,5%,1/16W,DA,TP,1608		...4 C136	2203-000181	C-CERAMIC,CHIP;100nF,+80-20%,25V,Y5V,TP	
...4 YR45	2007-000799	R-CHIP;360ohm,5%,1/16W,DA,TP,1608		...4 C137	2203-000715	C-CERAMIC,CHIP;3.3nF,10%,50V,X7R,TP,1608	
...4 YR46	2007-000074	R-CHIP;100ohm,5%,1/16W,DA,TP,1608		...4 C138	2203-000405	C-CERAMIC,CHIP;0.18nF,5%,50V,NPO,TP,1608	
...4 YR47	2007-000074	R-CHIP;100ohm,5%,1/16W,DA,TP,1608		...4 C139	2203-000181	C-CERAMIC,CHIP;100nF,+80-20%,25V,Y5V,TP	
...4 YR48	2007-000074	R-CHIP;100ohm,5%,1/16W,DA,TP,1608		...4 C140	2402-001049	C-AL,CHIP;10uF,20%,16V,GP,TP,3.3x3.3x5	
...4 YR50	2007-000080	R-CHIP;2Kohm,5%,1/16W,DA,TP,1608		...4 C141	2203-000405	C-CERAMIC,CHIP;0.18nF,5%,50V,NPO,TP,1608	
...4 YR51	2007-000074	R-CHIP;100ohm,5%,1/16W,DA,TP,1608		...4 C142	2402-001049	C-AL,CHIP;10uF,20%,16V,GP,TP,3.3x3.3x5	
...4 YR53	2007-000074	R-CHIP;100ohm,5%,1/16W,DA,TP,1608		...4 C143	2203-000181	C-CERAMIC,CHIP;100nF,+80-20%,25V,Y5V,TP	
...4 YR56	2007-000074	R-CHIP;100ohm,5%,1/16W,DA,TP,1608		...4 C144	2203-000715	C-CERAMIC,CHIP;3.3nF,10%,50V,X7R,TP,1608	
...4 YR59	2007-000090	R-CHIP;10KOHM,5%,1/16W,DA,TP,1608		...4 C145	2203-000181	C-CERAMIC,CHIP;100nF,+80-20%,25V,Y5V,TP	
...4 YR60	2007-000074	R-CHIP;100ohm,5%,1/16W,DA,TP,1608		...4 C146	2203-000715	C-CERAMIC,CHIP;3.3nF,10%,50V,X7R,TP,1608	
...4 YR61	2007-000097	R-CHIP;47Kohm,5%,1/16W,DA,TP,1608		...4 C147	2203-000405	C-CERAMIC,CHIP;0.18nF,5%,50V,NPO,TP,1608	
...4 YR62	2007-000078	R-CHIP;1Kohm,5%,1/16W,DA,TP,1608		...4 C148	2402-001049	C-AL,CHIP;10uF,20%,16V,GP,TP,3.3x3.3x5	
...4 YR63	2007-000074	R-CHIP;100ohm,5%,1/16W,DA,TP,1608		...4 C149	2203-000181	C-CERAMIC,CHIP;100nF,+80-20%,25V,Y5V,TP	
...4 YR64	2007-000074	R-CHIP;100ohm,5%,1/16W,DA,TP,1608		...4 C150	2203-000181	C-CERAMIC,CHIP;100nF,+80-20%,25V,Y5V,TP	
...4 YR65	2007-000583	R-CHIP;22Kohm,1%,1/16W,DA,TP,1608		...4 C151	2203-000405	C-CERAMIC,CHIP;0.18nF,5%,50V,NPO,TP,1608	
...4 YR77	2007-000210	R-CHIP;1.1KOHM,5%,1/10W,DA,TP,2012		...4 C152	2402-001049	C-AL,CHIP;10uF,20%,16V,GP,TP,3.3x3.3x5	
...4 YR78	2007-000210	R-CHIP;1.1KOHM,5%,1/10W,DA,TP,2012		...4 C153	2203-000181	C-CERAMIC,CHIP;100nF,+80-20%,25V,Y5V,TP	
...4 YR79	2007-000210	R-CHIP;1.1KOHM,5%,1/10W,DA,TP,2012		...4 C154	2203-000715	C-CERAMIC,CHIP;3.3nF,10%,50V,X7R,TP,1608	
...4 YR83	2007-000074	R-CHIP;100ohm,5%,1/16W,DA,TP,1608		...4 C155	2203-000181	C-CERAMIC,CHIP;100nF,+80-20%,25V,Y5V,TP	
...4 YR85	2007-000074	R-CHIP;100ohm,5%,1/16W,DA,TP,1608		...4 C156	2203-000715	C-CERAMIC,CHIP;3.3nF,10%,50V,X7R,TP,1608	
...4 YR86	2007-000074	R-CHIP;100ohm,5%,1/16W,DA,TP,1608		...4 C157	2203-000405	C-CERAMIC,CHIP;0.18nF,5%,50V,NPO,TP,1608	
...4 YR88	2007-000078	R-CHIP;1Kohm,5%,1/16W,DA,TP,1608		...4 C158	2402-001049	C-AL,CHIP;10uF,20%,16V,GP,TP,3.3x3.3x5	
...4 YR89	2007-000078	R-CHIP;1Kohm,5%,1/16W,DA,TP,1608		...4 C159	2203-000181	C-CERAMIC,CHIP;100nF,+80-20%,25V,Y5V,TP	
...4 YR90	2007-000074	R-CHIP;100ohm,5%,1/16W,DA,TP,1608		...4 C160	2203-000181	C-CERAMIC,CHIP;100nF,+80-20%,25V,Y5V,TP	
...4 YR91	2007-000074	R-CHIP;100ohm,5%,1/16W,DA,TP,1608		...4 C161	2402-001042	C-AL,SMD;100uF,20%,16V,GP,TP,6.6x6.6x5	
...4 YR92	2007-000074	R-CHIP;100ohm,5%,1/16W,DA,TP,1608		...4 C162	2402-001042	C-AL,SMD;100uF,20%,16V,GP,TP,6.6x6.6x5	
...4 YR98	2007-000084	R-CHIP;4.7Kohm,5%,1/16W,DA,TP,1608		...4 C164	2402-000173	C-AL,SMD;4.7uF,20%,35V,GP,TP,4.3x4.3x5	
...4 YR99	2007-000075	R-CHIP;220ohm,5%,1/16W,DA,TP,1608		...4 C165	2203-000181	C-CERAMIC,CHIP;100nF,+80-20%,25V,Y5V,TP	
..2	0202-000187	SOLDER-WIRE FLUX;-RS60S,D1.2,63Sn/37Pb		...4 C166	2203-000181	C-CERAMIC,CHIP;100nF,+80-20%,25V,Y5V,TP	
..2	3301-001201	CORE-FERRITE;AE,21x11x32mm,1500,280G		...4 C167	2402-001049	C-AL,CHIP;10uF,20%,16V,GP,TP,3.3x3.3x5	
..2	AA65-30018A	CLAMP-WIRE;DONG-A,NYLON-66,-, -,D-ATL-60		...4 C168	2203-000181	C-CERAMIC,CHIP;100nF,+80-20%,25V,Y5V,TP	
..2	AA65-30104B	CLAMP-WIRE;ALL MODEL,NYLON 66,V2,-,BLK,W		...4 C169	2203-000181	C-CERAMIC,CHIP;100nF,+80-20%,25V,Y5V,TP	
..2	AA65-30105B	CLAMP-WIRE;ALL MODEL,NYLON 66,V2,-,NTR,2		...4 C170	2203-000181	C-CERAMIC,CHIP;100nF,+80-20%,25V,Y5V,TP	
..2	AA95-00706C	ASSY-PCB, CONV MDL;PCL545R,P54A		...4 C172	2402-001042	C-AL,SMD;100uF,20%,16V,GP,TP,6.6x6.6x5	
...3 C163	2305-000289	C-FILM,MPEF;220nF,5%,63V,TP,-,5mm		...4 C173	2402-001042	C-AL,SMD;100uF,20%,16V,GP,TP,6.6x6.6x5	
...3 CN103	3711-001094	CONNECTOR-HEADER;BOX,7P,1R,2.5mm,ANGLE,-		...4 C174	2402-001042	C-AL,SMD;100uF,20%,16V,GP,TP,6.6x6.6x5	
...3 CN201	3703-001124	CONNECTOR-DIN;32P,2R,MALE,ANGLE,AUF		...4 C201	2203-000405	C-CERAMIC,CHIP;0.18nF,5%,50V,NPO,TP,1608	
...3 IC113	1203-000641	IC-RESET;7442,T0-92,3P,-,PLASTIC,-0.3/		...4 C202	2203-000405	C-CERAMIC,CHIP;0.18nF,5%,50V,NPO,TP,1608	
...3	0202-001167	SOLDER-CREAM;RX3603-2330HO,\$45A,PASTE,SN	S.N.A	...4 C203	2203-000405	C-CERAMIC,CHIP;0.18nF,5%,50V,NPO,TP,1608	
...3	0202-000187	SOLDER-WIRE FLUX;-RS60S,D1.2,63Sn/37Pb		...4 C204	2203-000405	C-CERAMIC,CHIP;0.18nF,5%,50V,NPO,TP,1608	





Loc. No.	Code No.	Description ; Specification	Remark	Loc. No.	Code No.	Description ; Specification	Remark
....4 R305	2007-000078	R-CHIP;1Kohm,5%,1/16W,DA,TP,1608		....4 C905	2401-001496	C-AL;47uF,20%,16V,GP,TP,5x7,5	
....4 R306	2007-000704	R-CHIP;3.6Kohm,5%,1/16W,DA,TP,1608		....4 C906	2201-000119	C-CERAMIC,DISC;100nF,+80-20%,50V,Y5V,TP	
....4 R307	2007-000691	R-CHIP;3.3Mohm,5%,1/16W,DA,TP,1608		....4 C907	2301-000111	C-FILM,PEF;1.8nF,5%,50V,TP,6.5x3.0x5.5mm	
....4 R308	2007-000074	R-CHIP;100ohm,5%,1/16W,DA,TP,1608		....4 C908	2201-000292	C-CERAMIC,DISC;1nF,10%,50V,Y5P,TP,5x3.5	
....4 X101	2801-003860	CRYSTAL-SMD;24MHz,30ppm,28-ABV,20pF,50oh		....4 C909	2201-000292	C-CERAMIC,DISC;1nF,10%,50V,Y5P,TP,5x3.5	
..2	AA95-00707A	ASSY-PCB,CAPTION;:PCL545R,P54A		....4 C910	2201-000292	C-CERAMIC,DISC;1nF,10%,50V,Y5P,TP,5x3.5	
..3 BK01	AA61-10068A	BRACKET-PCB;M2160,SPT,TO.3,-,-,-		....4 C911	2306-000122	C-FILM,MPPF;100nF,5%,50V,TP,7.3x4.0x5.0mm	
..3 CNC01	3711-002709	CONNECTOR-HEADER;NOWALL,12P,1R,2.5mm,ANG		....4 C912	2201-000119	C-CERAMIC,DISC;100nF,+80-20%,50V,Y5V,TP	
..3 CNC02	3711-002708	CONNECTOR-HEADER;NOWALL,10P,1R,2.5mm,ANG		....4 C913	2201-000193	C-CERAMIC,DISC;0.01nF,0.25pF,50V,NP,TP	
..3 ICC01	1204-001718	IC-DECODER;Z86129,DIP,18P;300MIL,PLASTIC		....4 C914	2201-000578	C-CERAMIC,DISC;0.047nF,5%,50V,UJ,TP,5x3	
..3 ICC02	1001-001083	IC-VIDEO SWITCH;NJM2248D,-,DIP,8P;300MIL		....4 C915	2201-000119	C-CERAMIC,DISC;100nF,+80-20%,50V,Y5V,TP	
..3 ICC03	1001-001083	IC-VIDEO SWITCH;NJM2248D,-,DIP,8P;300MIL		....4 C916	2401-002183	C-AL;220uF,20%,16V,GP,TP,8x9.5mm	
..3 PCB	AA41-00337A	PCB-CAPTION;PCL545R,FR-1,1LA,1.6T,245X2	S.N.A	....4 C917	2401-001496	C-AL;47uF,20%,16V,GP,TP,5x7,5	
..3	0202-000187	SOLDER-WIRE FLUX;-RS60S,D1.2,63Sn/37Pb		....4 C918	2201-000119	C-CERAMIC,DISC;100nF,+80-20%,50V,Y5V,TP	
..3	AA99-20080H	ASSY-PCB SUB,AUTO; AA95-00707A ,V	S.N.A	....4 C919	2401-000486	C-AL;10uF,20%,50V,GP,TP,6.3x7mm,5	
....4 CC01	2401-000603	C-AL;1uF,20%,50V,GP,TP,5x11.5		....4 C920	2201-000119	C-CERAMIC,DISC;100nF,+80-20%,50V,Y5V,TP	
....4 CC02	2401-002144	C-AL;47uF,20%,16V,GP,TP,5x11.5		....4 C921	2203-000595	C-CERAMIC,CHIP;0.22nF,5%,50V,NP,TP,2012	
....4 CC03	2201-000600	C-CERAMIC,DISC;0.56nF,10%,50V,Y5P,TP,5x3		....4 C925	2201-000119	C-CERAMIC,DISC;100nF,+80-20%,50V,Y5V,TP	
....4 CC04	2401-000223	C-AL;100nF,20%,50V,LL,TP,5x11mm,5mm		....4 C926	2401-000486	C-AL;10uF,20%,50V,GP,TP,6.3x7mm,5	
....4 CC05	2301-000310	C-FILM,PEF;68nF,5%,50V,TP,8.0X8.5X4.0X5		....4 C927	2201-000578	C-CERAMIC,DISC;0.047nF,5%,50V,UJ,TP,5x3	
....4 CC06	2301-000301	C-FILM,PEF;6.8nF,5%,50V,TP,6.5X5.5X3.0X5		....4 C928	2201-000578	C-CERAMIC,DISC;0.047nF,5%,50V,UJ,TP,5x3	
....4 CC07	2401-001840	C-AL;100uF,20%,16V,GP,TP,6.3x11.5		....4 D901	0401-000133	DIODE-SWITCHING;RLS4148,100V,200MA,SOD-8	
....4 CC08	2401-002144	C-AL;47uF,20%,16V,GP,TP,5x11.5		....4 D902	0401-000133	DIODE-SWITCHING;RLS4148,100V,200MA,SOD-8	
....4 CC09	2401-002144	C-AL;47uF,20%,16V,GP,TP,5x11.5		....4 D903	0401-000133	DIODE-SWITCHING;RLS4148,100V,200MA,SOD-8	
....4 CC10	2305-000149	C-FILM,MPEF;100nF,5%,100V,TP,12x12.5x6.5		....4 D904	0401-000133	DIODE-SWITCHING;RLS4148,100V,200MA,SOD-8	
....4 CC11	2401-002235	C-AL;10uF,20%,16V,GP,TP,5x11mm,5mm		....4 D905	0401-000133	DIODE-SWITCHING;RLS4148,100V,200MA,SOD-8	
....4 CC12	2305-000149	C-FILM,MPEF;100nF,5%,100V,TP,12x12.5x6.5		....4 DZ903	0403-001016	DIODE-ZENER;RLZ6.2B,6.2V,5.96-6.27V,400m	
....4 CC13	2401-002619	C-AL;47uF,20%,25V,GP,TP,5x11.5		....4 DZ904	0403-001016	DIODE-ZENER;RLZ6.2B,6.2V,5.96-6.27V,400m	
....4 CC14	2201-000119	C-CERAMIC,DISC;100nF,+80-20%,50V,Y5V,TP		....4 DZ905	0403-001016	DIODE-ZENER;RLZ6.2B,6.2V,5.96-6.27V,400m	
....4 CC15	2201-000600	C-CERAMIC,DISC;0.56nF,10%,50V,Y5P,TP,5x3		....4 DZ911	0403-000620	DIODE-ZENER;RLZ5.6B,5.6,500mW,LL-34,TP	
....4 CC16	2201-000119	C-CERAMIC,DISC;100nF,+80-20%,50V,Y5V,TP		....4 DZ912	0403-000620	DIODE-ZENER;RLZ5.6B,5.6,500mW,LL-34,TP	
....4 CC19	2201-000119	C-CERAMIC,DISC;100nF,+80-20%,50V,Y5V,TP		....4 DZ913	0403-000620	DIODE-ZENER;RLZ5.6B,5.6,500mW,LL-34,TP	
....4 DC01	0401-000005	DIODE-SWITCHING;1N4148,100V,200mA,DO-35,		....4 DZ916	0403-001016	DIODE-ZENER;RLZ6.2B,6.2V,5.96-6.27V,400m	
....4 DC02	0401-000005	DIODE-SWITCHING;1N4148,100V,200mA,DO-35,		....4 DZ917	0403-001016	DIODE-ZENER;RLZ6.2B,6.2V,5.96-6.27V,400m	
....4 DC03	0401-000005	DIODE-SWITCHING;1N4148,100V,200mA,DO-35,		....4 DZ918	0403-001016	DIODE-ZENER;RLZ6.2B,6.2V,5.96-6.27V,400m	
....4 LCO1	2701-000115	INDUCTOR-AXIAL;10uH,10%,3x7mm		....4 F901	2901-000297	FILTER-EMI ON BOARD;-.3A,-,-,3.5x5,TP-	
....4 QC01	0501-000389	TR-SMALL SIGNAL;KSC815,NPN,400mW,TO-92,T		....4 IC903	1203-001274	IC-VOL DETECTOR;7545,TO-92,3P,-,PLASTIC	
....4 QC02	0501-000389	TR-SMALL SIGNAL;KSC815,NPN,400mW,TO-92,T		....4 IC904	1203-000515	IC-VOL DETECTOR;7042,TO-92,3P,177MIL,PL	
....4 RC01	2004-000433	R-METAL;1Kohm,1%,1/8W,AA,TP,1.8x3.2mm		....4 L902	2702-001094	INDUCTOR-RADIAL;10uH,10%,6x4mm	
....4 RC02	2004-000433	R-METAL;1Kohm,1%,1/8W,AA,TP,1.8x3.2mm		....4 L910	2901-000297	FILTER-EMI ON BOARD;-.3A,-,-,3.5x5,TP-	
....4 RC03	2001-000429	R-CARBON;1KOHM,5%,1/8W,AA,TP,1.8X3.2MM		....4 L911	2901-000297	FILTER-EMI ON BOARD;-.3A,-,-,3.5x5,TP-	
....4 RC04	2001-000221	R-CARBON;1.2KOHM,5%,1/8W,AA,TP,1.8X3.2		....4 L912	2901-000297	FILTER-EMI ON BOARD;-.3A,-,-,3.5x5,TP-	
....4 RC05	2001-000890	R-CARBON;6.8KOHM,5%,1/8W,AA,TP,1.8X3.2		....4 L913	2702-001094	INDUCTOR-RADIAL;10uH,10%,6x4mm	
....4 RC06	2001-000006	R-CARBON;2.4KOHM,5%,1/8W,AA,TP,1.8X3.2		....4 PCB	AA41-00338B	PCB-MICOM;PCL545R,FR-4,2L,B,1.6T,180X24	S.N.A
....4 RC07	2001-000734	R-CARBON;4.7KOHM,5%,1/8W,AA,TP,1.8X3.2		....4 Q901	0501-000389	TR-SMALL SIGNAL;KSC815,NPN,400mW,TO-92,T	
....4 RC08	2001-000015	R-CARBON;220OHM,5%,1/8W,AA,TP,1.8X3.2M		....4 Q902	0501-000389	TR-SMALL SIGNAL;KSC815,NPN,400mW,TO-92,T	
....4 RC09	2001-000969	R-CARBON;750OHM,5%,1/8W,AA,TP,1.8X3.2MM		....4 Q903	0501-000389	TR-SMALL SIGNAL;KSC815,NPN,400mW,TO-92,T	
....4 RC10	2004-000433	R-METAL;1Kohm,1%,1/8W,AA,TP,1.8x3.2mm		....4 Q909	0501-000283	TR-SMALL SIGNAL;KSA539,PNP,400mW,TO-92,T	
....4 RC11	2001-000515	R-CARBON;220OHM,5%,1/8W,AA,TP,1.8X3.2M		....4 Q910	0501-000389	TR-SMALL SIGNAL;KSC815,NPN,400mW,TO-92,T	
....4 RC12	2001-000591	R-CARBON;3.3KOHM,5%,1/8W,AA,TP,1.8X3.2		....4 Q911	0501-000389	TR-SMALL SIGNAL;KSC815,NPN,400mW,TO-92,T	
....4 RC13	2001-000281	R-CARBON;100OHM,5%,1/8W,AA,TP,1.8X3.2M		....4 R901	2007-000084	R-CHIP;4.7Kohm,5%,1/16W,DA,TP,1608	
....4 RC14	2001-000281	R-CARBON;100OHM,5%,1/8W,AA,TP,1.8X3.2M		....4 R902	2007-000097	R-CHIP;47Kohm,5%,1/16W,DA,TP,1608	
....4 RC15	2001-000281	R-CARBON;100OHM,5%,1/8W,AA,TP,1.8X3.2M		....4 R903	2007-000078	R-CHIP;1Kohm,5%,1/16W,DA,TP,1608	
....4 RC16	2004-000218	R-METAL;10Kohm,1%,1/8W,AA,TP,1.8x3.2mm		....4 R904	2007-000090	R-CHIP;10KOHM,5%,1/16W,DA,TP,1608	
....4 RC17	2001-000780	R-CARBON;470OHM,5%,1/8W,AA,TP,1.8X3.2M		....4 R905	2007-000084	R-CHIP;4.7Kohm,5%,1/16W,DA,TP,1608	
....4 RC18	2001-000734	R-CARBON;4.7KOHM,5%,1/8W,AA,TP,1.8X3.2		....4 R907	2007-000078	R-CHIP;1Kohm,5%,1/16W,DA,TP,1608	
....4 RC19	2001-000221	R-CARBON;1.2KOHM,5%,1/8W,AA,TP,1.8X3.2		....4 R908	2007-000078	R-CHIP;1Kohm,5%,1/16W,DA,TP,1608	
....4 RC20	2001-000734	R-CARBON;4.7KOHM,5%,1/8W,AA,TP,1.8X3.2		....4 R911	2007-000090	R-CHIP;10KOHM,5%,1/16W,DA,TP,1608	
....4 RC21	2001-000362	R-CARBON;150OHM,5%,1/8W,AA,TP,1.8X3.2M		....4 R912	2007-000076	R-CHIP;330ohm,5%,1/16W,DA,TP,1608	
....4 RC22	2001-000613	R-CARBON;3.9KOHM,5%,1/8W,AA,TP,1.8X3.2		....4 R913	2007-000097	R-CHIP;47Kohm,5%,1/16W,DA,TP,1608	
....4 RC23	2001-000006	R-CARBON;2.4KOHM,5%,1/8W,AA,TP,1.8X3.2		....4 R914	2007-000074	R-CHIP;100ohm,5%,1/16W,DA,TP,1608	
....4 RC24	2001-000007	R-CARBON;3KOHM,5%,1/8W,AA,TP,1.8X3.2MM		....4 R915	2007-000074	R-CHIP;100ohm,5%,1/16W,DA,TP,1608	
....4 RC25	2001-000003	R-CARBON;330ohm,5%,1/8W,AA,TP,1.8x3.2mm		....4 R916	2007-000081	R-CHIP;2.7Kohm,5%,1/16W,DA,TP,1608	
....4 RC30	2001-000708	R-CARBON;390OHM,5%,1/8W,AA,TP,1.8X3.2MM		....4 R917	2007-000081	R-CHIP;2.7Kohm,5%,1/16W,DA,TP,1608	
..2	AA95-00709A	ASSY-PCB,MICOM;PCL545R,P54A		....4 R918	2007-000869	R-CHIP;4.7Kohm,1%,1/16W,DA,TP,1608	
..3 CN901	3703-001175	CONNECTOR-DIN;64P,2R,MALE,ANGLE,AU		....4 R919	2007-000458	R-CHIP;18Kohm,5%,1/16W,DA,TP,1608	
..3 IC901	AA09-00101A	IC MICOM;Z9037116PSC-OTP,SVP,43J5M,52P,		....4 R920	2007-000077	R-CHIP;470ohm,5%,1/16W,DA,TP,1608	
..3 IC902	1103-001213	IC-EPPROM;M24C16-WBN6,2048x8Bit,SDIP,8P		....4 R921	2007-000087	R-CHIP;6.8Kohm,5%,1/16W,DA,TP,1608	
..3 L903	2701-001032	INDUCTOR-AXIAL;100uH,10%,5x14mm		....4 R922	2007-000087	R-CHIP;6.8Kohm,5%,1/16W,DA,TP,1608	
..3 X901	2801-003224	CRYSTAL-UNIT;32.768KHz,20ppm,28-AA,12.5		....4 R923	2007-000074	R-CHIP;100ohm,5%,1/16W,DA,TP,1608	
..3	0202-000187	SOLDER-WIRE FLUX;-RS60S,D1.2,63Sn/37Pb		....4 R924	2007-000074	R-CHIP;100ohm,5%,1/16W,DA,TP,1608	
..3	0202-001167	SOLDER-CREAM;RX3603-2330HO,S45A,PASTE,SN	S.N.A	....4 R925	2007-000123	R-CHIP;1.5Kohm,5%,1/16W,DA,TP,1608	
..3	AA99-20080P	ASSY-PCB SUB,AUTO; AA95-00709A ,V	S.N.A	....4 R926	2007-000123	R-CHIP;1.5Kohm,5%,1/16W,DA,TP,1608	
....4 C901	2201-000292	C-CERAMIC,DISC;1nF,10%,50V,Y5P,TP,5x3.5		....4 R927	2007-000123	R-CHIP;1.5Kohm,5%,1/16W,DA,TP,1608	
....4 C902	2203-000181	C-CERAMIC,CHIP;100nF,+80-20%,25V,Y5V,TP		....4 R928	2007-000081	R-CHIP;2.7Kohm,5%,1/16W,DA,TP,1608	
....4 C903	2203-000595	C-CERAMIC,CHIP;0.22nF,5%,50V,NP,TP,2012		....4 R929	2007-000123	R-CHIP;1.5Kohm,5%,1/16W,DA,TP,1608	
....4 C904	2201-000119	C-CERAMIC,DISC;100nF,+80-20%,50V,Y5V,TP		....4 R930	2007-000084	R-CHIP;4.7Kohm,5%,1/16W,DA,TP,1608	

Loc. No.	Code No.	Description ; Specification	Remark	Loc. No.	Code No.	Description ; Specification	Remark
....4	R931	2007-000084	R-CHIP;4.7Kohm,5%,1/16W,DA,TP,1608	....4	CD640	2203-000181	C-CERAMIC,CHIP;100nF,+80-20%,25V,Y5V,TP,
....4	R932	2007-000084	R-CHIP;4.7Kohm,5%,1/16W,DA,TP,1608	....4	CD641	2401-002009	C-AL;100uF,20%,16V,GP,TP,6.3x7,5
....4	R934	2007-000074	R-CHIP;100ohm,5%,1/16W,DA,TP,1608	....4	CD642	2203-000140	C-CERAMIC,CHIP;1.5nF,10%,50V,X7R,TP,1608
....4	R935	2007-000074	R-CHIP;100ohm,5%,1/16W,DA,TP,1608	....4	CD643	2203-000140	C-CERAMIC,CHIP;1.5nF,10%,50V,X7R,TP,1608
....4	R936	2007-000074	R-CHIP;100ohm,5%,1/16W,DA,TP,1608	....4	CD648	2203-000440	C-CERAMIC,CHIP;1nF,10%,50V,X7R,TP,1608,-
....4	R937	2007-000078	R-CHIP;1Kohm,5%,1/16W,DA,TP,1608	....4	CD649	2203-000440	C-CERAMIC,CHIP;1nF,10%,50V,X7R,TP,1608,-
....4	R945	2007-001093	R-CHIP;620ohm,5%,1/16W,DA,TP,1608	....4	CD650	2401-001250	C-AL;4.7uF,20%,35V,GP,TP,4x5,5
....4	R946	2007-000090	R-CHIP;10KOHM,5%,1/16W,DA,TP,1608	....4	CD652	2401-001250	C-AL;4.7uF,20%,35V,GP,TP,4x5,5
....4	R947	2007-000090	R-CHIP;10KOHM,5%,1/16W,DA,TP,1608	....4	CD653	2401-000922	C-AL;22uF,20%,16V,GP,TP,5x5,5
....4	R948	2007-000078	R-CHIP;1Kohm,5%,1/16W,DA,TP,1608	....4	CD654	2401-000922	C-AL;22uF,20%,16V,GP,TP,5x5,5
....4	R949	2007-000082	R-CHIP;3.3Kohm,5%,1/16W,DA,TP,1608	....4	CD660	2401-000922	C-AL;22uF,20%,16V,GP,TP,5x5,5
....4	R950	2007-000078	R-CHIP;1Kohm,5%,1/16W,DA,TP,1608	....4	CD662	2203-000181	C-CERAMIC,CHIP;100nF,+80-20%,25V,Y5V,TP,
....4	R951	2007-000082	R-CHIP;3.3Kohm,5%,1/16W,DA,TP,1608	....4	ICD601	1204-001631	IC-SOUND PROCESSOR;MSP3450G,QFP,80P,-,PL
....4	R958	2007-000074	R-CHIP;100ohm,5%,1/16W,DA,TP,1608	....4	ICD602	1201-000541	IC-OP AMP;062,SOP,8P;153MIL,DUAL,6V/mV,
....4	R959	2007-000074	R-CHIP;100ohm,5%,1/16W,DA,TP,1608	....4	LD601	2701-001032	INDUCTOR-AXIAL;100uH,10%,5x14mm
....4	R960	2007-000074	R-CHIP;100ohm,5%,1/16W,DA,TP,1608	....4	LD602	2701-001032	INDUCTOR-AXIAL;100uH,10%,5x14mm
....4	R961	2007-000084	R-CHIP;4.7Kohm,5%,1/16W,DA,TP,1608	....4	LD603	2701-001032	INDUCTOR-AXIAL;100uH,10%,5x14mm
....4	R962	2007-000098	R-CHIP;56Kohm,5%,1/16W,DA,TP,1608	....4	PCB	AA41-00335A	PCB-SOUND;PCL545R,FR-4,2L,A,1,6T,180X24
....4	R963	2007-000082	R-CHIP;3.3Kohm,5%,1/16W,DA,TP,1608	....4	RD601	2007-000078	R-CHIP;1Kohm,5%,1/16W,DA,TP,1608
....4	R964	2007-000084	R-CHIP;4.7Kohm,5%,1/16W,DA,TP,1608	....4	RD602	2007-000078	R-CHIP;1Kohm,5%,1/16W,DA,TP,1608
....4	R965	2007-000084	R-CHIP;4.7Kohm,5%,1/16W,DA,TP,1608	....4	RD603	2007-000078	R-CHIP;1Kohm,5%,1/16W,DA,TP,1608
....4	R967	2007-000078	R-CHIP;1Kohm,5%,1/16W,DA,TP,1608	....4	RD604	2007-000078	R-CHIP;1Kohm,5%,1/16W,DA,TP,1608
....4	R968	2007-000078	R-CHIP;1Kohm,5%,1/16W,DA,TP,1608	....4	RD605	2007-000078	R-CHIP;1Kohm,5%,1/16W,DA,TP,1608
....4	R969	2007-000084	R-CHIP;4.7Kohm,5%,1/16W,DA,TP,1608	....4	RD606	2007-000078	R-CHIP;1Kohm,5%,1/16W,DA,TP,1608
....4	R971	2007-000086	R-CHIP;5.6Kohm,5%,1/16W,DA,TP,1608	....4	RD607	2007-000078	R-CHIP;1Kohm,5%,1/16W,DA,TP,1608
....4	R972	2007-000070	R-CHIP;0ohm,5%,1/16W,DA,TP,1608	....4	RD608	2007-000078	R-CHIP;1Kohm,5%,1/16W,DA,TP,1608
....4	R973	2007-000084	R-CHIP;4.7Kohm,5%,1/16W,DA,TP,1608	....4	RD609	2007-000078	R-CHIP;1Kohm,5%,1/16W,DA,TP,1608
....4	R974	2007-000078	R-CHIP;1Kohm,5%,1/16W,DA,TP,1608	....4	RD610	2007-000074	R-CHIP;100ohm,5%,1/16W,DA,TP,1608
....4	R976	2007-000078	R-CHIP;1Kohm,5%,1/16W,DA,TP,1608	....4	RD611	2007-000074	R-CHIP;100ohm,5%,1/16W,DA,TP,1608
....4	R977	2007-000305	R-CHIP;10Mohm,5%,1/16W,DA,TP,1608	....4	RD613	2007-000084	R-CHIP;4.7Kohm,5%,1/16W,DA,TP,1608
....4	R978	2007-000090	R-CHIP;10KOHM,5%,1/16W,DA,TP,1608	....4	RD614	2007-000074	R-CHIP;100ohm,5%,1/16W,DA,TP,1608
....4	R981	2007-000122	R-CHIP;1.2Kohm,5%,1/16W,DA,TP,1608	....4	RD615	2007-000074	R-CHIP;100ohm,5%,1/16W,DA,TP,1608
....4	R982	2007-000122	R-CHIP;1.2Kohm,5%,1/16W,DA,TP,1608	....4	RD616	2007-000078	R-CHIP;1Kohm,5%,1/16W,DA,TP,1608
....4	R983	2007-000122	R-CHIP;1.2Kohm,5%,1/16W,DA,TP,1608	....4	RD617	2007-000078	R-CHIP;1Kohm,5%,1/16W,DA,TP,1608
.2	AA95-01103A	ASSY-PCB,SOUND;PCL5415R,P54A		....4	RD618	2007-000084	R-CHIP;4.7Kohm,5%,1/16W,DA,TP,1608
.3	CN601	3703-001175	CONNECTOR-DIN;64P2R,MALE,ANGLE,AU	....4	RD619	2007-001179	R-CHIP;8.2Kohm,5%,1/16W,DA,TP,1608
.3	XD601	2801-000186	CRYSTAL-UNIT;18.432MHz,25ppm,28-AAM,8pF,	....4	RD620	2007-000134	R-CHIP;33Kohm,5%,1/16W,DA,TP,1608
.3		0202-001167	SOLDER-CREAM;RX3603-2330HO,S45A,PASTE,SN S.N.A	....4	RD621	2007-001010	R-CHIP;51Kohm,5%,1/16W,DA,TP,1608
.3		0202-000187	SOLDER-WIRE FLUX;-,RS60S,D1.2,63Sn/37Pb	....4	RD622	2007-000329	R-CHIP;11Kohm,5%,1/16W,DA,TP,1608
.3	AA99-20091S	ASSY-PCB SUB,AUTO; AA95-01103A ,V	S.N.A	....4	RD623	2007-000329	R-CHIP;11Kohm,5%,1/16W,DA,TP,1608
....4	CD601	2401-000444	C-AL;10uF,20%,25V,GP,TP,5x5mm,5mm	....4	RD624	2007-001010	R-CHIP;51Kohm,5%,1/16W,DA,TP,1608
....4	CD602	2203-000181	C-CERAMIC,CHIP;100nF,+80-20%,25V,Y5V,TP,	....4	RD625	2007-001179	R-CHIP;8.2Kohm,5%,1/16W,DA,TP,1608
....4	CD603	2401-001250	C-AL;4.7uF,20%,35V,GP,TP,4x5,5	....4	RD626	2007-000134	R-CHIP;33Kohm,5%,1/16W,DA,TP,1608
....4	CD604	2401-000486	C-AL;10uF,20%,50V,GP,TP,6.3x7mm,5	....4	RD627	2007-000084	R-CHIP;4.7Kohm,5%,1/16W,DA,TP,1608
....4	CD605	2401-001250	C-AL;4.7uF,20%,35V,GP,TP,4x5,5	....4	RD628	2007-000078	R-CHIP;1Kohm,5%,1/16W,DA,TP,1608
....4	CD606	2203-000181	C-CERAMIC,CHIP;100nF,+80-20%,25V,Y5V,TP,	....4	RD629	2007-000078	R-CHIP;1Kohm,5%,1/16W,DA,TP,1608
....4	CD607	2401-001250	C-AL;4.7uF,20%,35V,GP,TP,4x5,5	....4	RD638	2007-000078	R-CHIP;1Kohm,5%,1/16W,DA,TP,1608
....4	CD608	2401-001250	C-AL;4.7uF,20%,35V,GP,TP,4x5,5	.2	AA39-20577A	LEAD CONNECTOR-ASSY;6(3);YFH800-06,800	
....4	CD609	2401-001250	C-AL;4.7uF,20%,35V,GP,TP,4x5,5	.2	AA39-20010F	LEAD CONNECTOR-ASSY;1P;YFH800-01,S,700,	
....4	CD610	2401-001250	C-AL;4.7uF,20%,35V,GP,TP,4x5,5				
....4	CD611	2401-001250	C-AL;4.7uF,20%,35V,GP,TP,4x5,5				
....4	CD612	2401-001250	C-AL;4.7uF,20%,35V,GP,TP,4x5,5				
....4	CD613	2203-000181	C-CERAMIC,CHIP;100nF,+80-20%,25V,Y5V,TP,				
....4	CD614	2401-000486	C-AL;10uF,20%,50V,GP,TP,6.3x7mm,5				
....4	CD616	2401-000486	C-AL;10uF,20%,50V,GP,TP,6.3x7mm,5				
....4	CD617	2203-001211	C-CERAMIC,CHIP;8.2nF,10%,50V,X7R,TP,1608	1	*	AA95-00716A	ASSY-PCB,TERMINAL;PCL545R,P54A
....4	CD618	2203-001211	C-CERAMIC,CHIP;8.2nF,10%,50V,X7R,TP,1608	..2	CNT01	3711-003630	CONNECTOR-HEADER;BOX,32P2R,2.54mm,ANGLE
....4	CD619	2203-001211	C-CERAMIC,CHIP;8.2nF,10%,50V,X7R,TP,1608	..2	CNT02	3711-003630	CONNECTOR-HEADER;BOX,32P2R,2.54mm,ANGLE
....4	CD620	2203-001211	C-CERAMIC,CHIP;8.2nF,10%,50V,X7R,TP,1608	..2	CNY01	3711-003601	CONNECTOR-HEADER;BOX,12P,1R,2.5mm,ANGLE,
....4	CD621	2401-000922	C-AL;22uF,20%,16V,GP,TP,5x5,5	..2	IC703	0904-001121	IC-I/O SUPPORT CHIP;8574,8BIT,DIP,16P,30
....4	CD622	2401-000922	C-AL;22uF,20%,16V,GP,TP,5x5,5	..2	IC705	0801-000213	IC-CMOS LOGIC;4052,MULTIPLEXER,DIP,16P,3
....4	CD623	2401-000922	C-AL;22uF,20%,16V,GP,TP,5x5,5	..2	ICD01	1204-001510	IC-SEPARATOR;EL4583CN,DIP,16P,-,PLASTIC,
....4	CD624	2401-000922	C-AL;22uF,20%,16V,GP,TP,5x5,5	..2	ICD02	0801-000284	IC-CMOS LOGIC;4528,MULTIVIBRATOR,DIP,16P
....4	CD625	2401-000922	C-AL;22uF,20%,16V,GP,TP,5x5,5	..2	ICD03	1204-001510	IC-SEPARATOR;EL4583CN,DIP,16P,-,PLASTIC,
....4	CD626	2401-000426	C-AL;10uF,20%,16V,GP,TP,3.5x5,5	..2	JKV02	3722-001039	JACK-PIN;9P;3.4mm,SN,BLK,#16-22
....4	CD627	2401-000922	C-AL;22uF,20%,16V,GP,TP,5x5,5	..2	JKV03	3722-001382	JACK-PIN;5P(9P);3.4MM,NI,IR/W/G/BLUE,-
....4	CD628	2401-000922	C-AL;22uF,20%,16V,GP,TP,5x5,5	..2	JKV04	3722-001382	JACK-PIN;5P(9P);3.4MM,NI,IR/W/G/BLUE,-
....4	CD629	2203-005590	C-CERAMIC,CHIP;330NF,10%,16V,X7R,TP,2012	..2	JKV08	3722-000544	JACK-VHS;4P;11.5mm,AG,BLK,N
....4	CD630	2401-000426	C-AL;10uF,20%,16V,GP,TP,3.5x5,5	..2	RD18	2001-000954	R-CARBON;750KOHM,5%,1/8W,AA,TP,1.8X3.2
....4	CD631	2203-000181	C-CERAMIC,CHIP;100nF,+80-20%,25V,Y5V,TP,	..2		0202-001167	SOLDER-CREAM;RX3603-2330HO,S45A,PASTE,SN S.N.A
....4	CD632	2401-000444	C-AL;10uF,20%,25V,GP,TP,5x5mm,5mm	..2		0202-000187	SOLDER-WIRE FLUX;-,RS60S,D1.2,63Sn/37Pb
....4	CD633	2203-000468	C-CERAMIC,CHIP;0.001nF,0.25pF,50V,NPO,TP	..2		AA99-20091R	ASSY-PCB SUB,AUTO; AA95-00716A ,V
....4	CD634	2203-000468	C-CERAMIC,CHIP;0.001nF,0.25pF,50V,NPO,TP	..3	C701	2401-002009	C-AL;100uF,20%,16V,GP,TP,6.3x7,5
....4	CD635	2203-001071	C-CERAMIC,CHIP;0.056nF,5%,50V,NPO,TP,160	..3	C702	2203-000181	C-CERAMIC,CHIP;100nF,+80-20%,25V,Y5V,TP,
....4	CD636	2203-001071	C-CERAMIC,CHIP;0.056nF,5%,50V,NPO,TP,160	..3	C704	2203-000815	C-CERAMIC,CHIP;0.033nF,5%,50V,NPO,TP,160
....4	CD637	2203-001071	C-CERAMIC,CHIP;0.056nF,5%,50V,NPO,TP,160	..3	C705	2203-000815	C-CERAMIC,CHIP;0.033nF,5%,50V,NPO,TP,160
....4	CD639	2401-000302	C-AL;100uF,20%,25V,GP,TP,6.3x11,5	..3	C706	2203-000975	C-CERAMIC,CHIP;47nF,10%,25V,X7R,TP,1608,

ASSY-PCB,TERMINAL

Loc. No.	Code No.	Description ; Specification	Remark	Loc. No.	Code No.	Description ; Specification	Remark	
...3	C707	2203-000975	C-CERAMIC,CHIP:47nF,10%,25V,X7R,TP,1608,	...3	Q702	0501-000727	TR-SMALL SIGNAL:BC848C,NPN,310mW,SOT-23,	
...3	C708	2203-000975	C-CERAMIC,CHIP:47nF,10%,25V,X7R,TP,1608,	...3	Q703	0501-000727	TR-SMALL SIGNAL:BC848C,NPN,310mW,SOT-23,	
...3	C709	2203-000975	C-CERAMIC,CHIP:47nF,10%,25V,X7R,TP,1608,	...3	Q704	0501-000727	TR-SMALL SIGNAL:BC848C,NPN,310mW,SOT-23,	
...3	C710	2203-000975	C-CERAMIC,CHIP:47nF,10%,25V,X7R,TP,1608,	...3	Q705	0501-000727	TR-SMALL SIGNAL:BC848C,NPN,310mW,SOT-23,	
...3	C711	2203-000975	C-CERAMIC,CHIP:47nF,10%,25V,X7R,TP,1608,	...3	Q706	0501-000727	TR-SMALL SIGNAL:BC848C,NPN,310mW,SOT-23,	
...3	C712	2203-000181	C-CERAMIC,CHIP:100nF,+80-20%,25V,Y5V,TP,	...3	Q707	0501-000727	TR-SMALL SIGNAL:BC848C,NPN,310mW,SOT-23,	
...3	C713	2203-000975	C-CERAMIC,CHIP:47nF,10%,25V,X7R,TP,1608,	...3	Q711	0501-000727	TR-SMALL SIGNAL:BC848C,NPN,310mW,SOT-23,	
...3	C714	2203-000975	C-CERAMIC,CHIP:47nF,10%,25V,X7R,TP,1608,	...3	Q712	0501-000727	TR-SMALL SIGNAL:BC848C,NPN,310mW,SOT-23,	
...3	C715	2203-000975	C-CERAMIC,CHIP:47nF,10%,25V,X7R,TP,1608,	...3	Q714	0501-000727	TR-SMALL SIGNAL:BC848C,NPN,310mW,SOT-23,	
...3	C716	2401-002009	C-AL;100uF,20%,16V,GP,TP6.3x7,5	...3	QD01	0501-000344	TR-SMALL SIGNAL:KSC1623-G,NPN,200mW,SOT-	
...3	C717	2203-000181	C-CERAMIC,CHIP:100nF,+80-20%,25V,Y5V,TP,	...3	QD02	0501-000344	TR-SMALL SIGNAL:KSC1623-G,NPN,200mW,SOT-	
...3	C718	2203-000975	C-CERAMIC,CHIP:47nF,10%,25V,X7R,TP,1608,	...3	QD03	0501-000344	TR-SMALL SIGNAL:KSC1623-G,NPN,200mW,SOT-	
...3	C719	2203-000975	C-CERAMIC,CHIP:47nF,10%,25V,X7R,TP,1608,	...3	QD04	0501-000344	TR-SMALL SIGNAL:KSC1623-G,NPN,200mW,SOT-	
...3	C720	2203-000975	C-CERAMIC,CHIP:47nF,10%,25V,X7R,TP,1608,	...3	R701	2007-000074	R-CHIP;100ohm,5%,1/16W,DA,TP,1608	
...3	C721	2203-000975	C-CERAMIC,CHIP:47nF,10%,25V,X7R,TP,1608,	...3	R702	2007-000078	R-CHIP;1Kohm,5%,1/16W,DA,TP,1608	
...3	C722	2203-000975	C-CERAMIC,CHIP:47nF,10%,25V,X7R,TP,1608,	...3	R703	2007-001167	R-CHIP;750ohm,5%,1/16W,DA,TP,1608	
...3	C723	2203-000181	C-CERAMIC,CHIP:100nF,+80-20%,25V,Y5V,TP,	...3	R704	2007-001157	R-CHIP;750ohm,5%,1/16W,DA,TP,1608	
...3	C724	2203-000975	C-CERAMIC,CHIP:47nF,10%,25V,X7R,TP,1608,	...3	R705	2007-001167	R-CHIP;750ohm,5%,1/16W,DA,TP,1608	
...3	C727	2203-000975	C-CERAMIC,CHIP:47nF,10%,25V,X7R,TP,1608,	...3	R706	2007-001167	R-CHIP;750ohm,5%,1/16W,DA,TP,1608	
...3	C730	2401-002299	C-AL;4.7uF,20%,50V,GP,TP5x7,5	...3	R707	2007-000084	R-CHIP;4.7Kohm,5%,1/16W,DA,TP,1608	
...3	C731	2401-002299	C-AL;4.7uF,20%,50V,GP,TP5x7,5	...3	R708	2007-000074	R-CHIP;100ohm,5%,1/16W,DA,TP,1608	
...3	C732	2203-000440	C-CERAMIC,CHIP;1nF,10%,50V,X7R,TP,1608,-	...3	R709	2007-000074	R-CHIP;100ohm,5%,1/16W,DA,TP,1608	
...3	C733	2203-000440	C-CERAMIC,CHIP;1nF,10%,50V,X7R,TP,1608,-	...3	R710	2007-000074	R-CHIP;100ohm,5%,1/16W,DA,TP,1608	
...3	C734	2203-000440	C-CERAMIC,CHIP;1nF,10%,50V,X7R,TP,1608,-	...3	R712	2007-000074	R-CHIP;100ohm,5%,1/16W,DA,TP,1608	
...3	C735	2203-000440	C-CERAMIC,CHIP;1nF,10%,50V,X7R,TP,1608,-	...3	R713	2007-000074	R-CHIP;100ohm,5%,1/16W,DA,TP,1608	
...3	C736	2203-000440	C-CERAMIC,CHIP;1nF,10%,50V,X7R,TP,1608,-	...3	R714	2007-000074	R-CHIP;100ohm,5%,1/16W,DA,TP,1608	
...3	C737	2203-000440	C-CERAMIC,CHIP;1nF,10%,50V,X7R,TP,1608,-	...3	R715	2007-001167	R-CHIP;750ohm,5%,1/16W,DA,TP,1608	
...3	C738	2401-002009	C-AL;100uF,20%,16V,GP,TP6.3x7,5	...3	R716	2007-001167	R-CHIP;750ohm,5%,1/16W,DA,TP,1608	
...3	C739	2203-000181	C-CERAMIC,CHIP:100nF,+80-20%,25V,Y5V,TP,	...3	R717	2007-001167	R-CHIP;750ohm,5%,1/16W,DA,TP,1608	
...3	C740	2401-002009	C-AL;100uF,20%,16V,GP,TP6.3x7,5	...3	R718	2007-001167	R-CHIP;750ohm,5%,1/16W,DA,TP,1608	
...3	C741	2203-000181	C-CERAMIC,CHIP:100nF,+80-20%,25V,Y5V,TP,	...3	R719	2007-001167	R-CHIP;750ohm,5%,1/16W,DA,TP,1608	
...3	C760	2401-000667	C-AL;2.2uF,20%,50V,WT,TP5x11,5	...3	R720	2007-000078	R-CHIP;1Kohm,5%,1/16W,DA,TP,1608	
...3	C761	2401-000667	C-AL;2.2uF,20%,50V,WT,TP5x11,5	...3	R721	2007-000074	R-CHIP;100ohm,5%,1/16W,DA,TP,1608	
...3	C762	2401-000667	C-AL;2.2uF,20%,50V,WT,TP5x11,5	...3	R722	2007-001167	R-CHIP;750ohm,5%,1/16W,DA,TP,1608	
...3	C763	2401-000667	C-AL;2.2uF,20%,50V,WT,TP5x11,5	...3	R723	2007-000074	R-CHIP;100ohm,5%,1/16W,DA,TP,1608	
...3	C764	2401-000667	C-AL;2.2uF,20%,50V,WT,TP5x11,5	...3	R724	2007-000074	R-CHIP;100ohm,5%,1/16W,DA,TP,1608	
...3	C765	2401-000667	C-AL;2.2uF,20%,50V,WT,TP5x11,5	...3	R725	2007-000074	R-CHIP;100ohm,5%,1/16W,DA,TP,1608	
...3	C766	2401-000667	C-AL;2.2uF,20%,50V,WT,TP5x11,5	...3	R726	2007-001167	R-CHIP;750ohm,5%,1/16W,DA,TP,1608	
...3	C767	2401-000667	C-AL;2.2uF,20%,50V,WT,TP5x11,5	...3	R727	2007-001167	R-CHIP;750ohm,5%,1/16W,DA,TP,1608	
...3	C768	2203-000975	C-CERAMIC,CHIP:47nF,10%,25V,X7R,TP,1608,	...3	R728	2007-001167	R-CHIP;750ohm,5%,1/16W,DA,TP,1608	
...3	C769	2203-000975	C-CERAMIC,CHIP:47nF,10%,25V,X7R,TP,1608,	...3	R729	2007-001167	R-CHIP;750ohm,5%,1/16W,DA,TP,1608	
...3	C780	2401-002009	C-AL;100uF,20%,16V,GP,TP6.3x7,5	...3	R734	2007-000097	R-CHIP;47Kohm,5%,1/16W,DA,TP,1608	
...3	CD01	2401-002183	C-AL;220uF,20%,16V,GP,TP8x9,5mm	...3	R735	2007-000097	R-CHIP;47Kohm,5%,1/16W,DA,TP,1608	
...3	CD02	2203-000181	C-CERAMIC,CHIP:100nF,+80-20%,25V,Y5V,TP,	...3	R740	2007-000078	R-CHIP;1Kohm,5%,1/16W,DA,TP,1608	
...3	CD03	2401-000471	C-AL;10uF,20%,50V,TP5x11,5mm	...3	R741	2007-000078	R-CHIP;1Kohm,5%,1/16W,DA,TP,1608	
...3	CD04	2203-000181	C-CERAMIC,CHIP:100nF,+80-20%,25V,Y5V,TP,	...3	R742	2007-000078	R-CHIP;1Kohm,5%,1/16W,DA,TP,1608	
...3	CD05	2203-000681	C-CERAMIC,CHIP;0.027nF,5%,50V,NPO,TP,160	...3	R743	2007-000078	R-CHIP;1Kohm,5%,1/16W,DA,TP,1608	
...3	CD06	2401-000471	C-AL;10uF,20%,50V,TP5x11,5mm	...3	R744	2007-000078	R-CHIP;1Kohm,5%,1/16W,DA,TP,1608	
...3	CD07	2203-000181	C-CERAMIC,CHIP:100nF,+80-20%,25V,Y5V,TP,	...3	R745	2007-000078	R-CHIP;1Kohm,5%,1/16W,DA,TP,1608	
...3	CD08	2203-000181	C-CERAMIC,CHIP:100nF,+80-20%,25V,Y5V,TP,	...3	R748	2007-000084	R-CHIP;4.7Kohm,5%,1/16W,DA,TP,1608	
...3	CD09	2203-000440	C-CERAMIC,CHIP;1nF,10%,50V,X7R,TP,1608,-	...3	R749	2007-000100	R-CHIP;68Kohm,5%,1/16W,DA,TP,1608	
...3	CD10	2203-000257	C-CERAMIC,CHIP;10nF,10%,50V,X7R,TP,1608	...3	R750	2007-000100	R-CHIP;68Kohm,5%,1/16W,DA,TP,1608	
...3	CD11	2401-000404	C-AL;10uF,20%,16V,GP,TP5x11,5	...3	R751	2007-000100	R-CHIP;68Kohm,5%,1/16W,DA,TP,1608	
...3	CD12	2401-000404	C-AL;10uF,20%,16V,GP,TP5x11,5	...3	R752	2007-000100	R-CHIP;68Kohm,5%,1/16W,DA,TP,1608	
...3	CD13	2203-000181	C-CERAMIC,CHIP:100nF,+80-20%,25V,Y5V,TP,	...3	R753	2007-000329	R-CHIP;11Kohm,5%,1/16W,DA,TP,1608	
...3	CD14	2203-000181	C-CERAMIC,CHIP:100nF,+80-20%,25V,Y5V,TP,	...3	R754	2007-000329	R-CHIP;11Kohm,5%,1/16W,DA,TP,1608	
...3	CD15	2203-000181	C-CERAMIC,CHIP:100nF,+80-20%,25V,Y5V,TP,	...3	R755	2007-000100	R-CHIP;68Kohm,5%,1/16W,DA,TP,1608	
...3	CD16	2401-000471	C-AL;10uF,20%,50V,TP5x11,5mm	...3	R756	2007-000100	R-CHIP;68Kohm,5%,1/16W,DA,TP,1608	
...3	CD17	2401-000471	C-AL;10uF,20%,50V,TP5x11,5mm	...3	R757	2007-000100	R-CHIP;68Kohm,5%,1/16W,DA,TP,1608	
...3	CD18	2203-000681	C-CERAMIC,CHIP;0.027nF,5%,50V,NPO,TP,160	...3	R758	2007-000100	R-CHIP;68Kohm,5%,1/16W,DA,TP,1608	
...3	IC701	1001-001030	IC-VIDEO SWITCH;TDA6920X,-,SOP,28P,300MI	...3	R759	2007-000084	R-CHIP;4.7Kohm,5%,1/16W,DA,TP,1608	
...3	IC702	1001-001030	IC-VIDEO SWITCH;TDA6920X,-,SOP,28P,300MI	...3	R760	2007-000074	R-CHIP;100ohm,5%,1/16W,DA,TP,1608	
...3	L701	2702-001094	INDUCTOR-RADIAL;10uH,10%,6x4mm	...3	R761	2007-000122	R-CHIP;1.2Kohm,5%,1/16W,DA,TP,1608	
...3	L702	2702-001094	INDUCTOR-RADIAL;10uH,10%,6x4mm	...3	R762	2007-000074	R-CHIP;100ohm,5%,1/16W,DA,TP,1608	
...3	L711	2702-001094	INDUCTOR-RADIAL;10uH,10%,6x4mm	...3	R763	2007-000074	R-CHIP;100ohm,5%,1/16W,DA,TP,1608	
...3	L720	2702-001094	INDUCTOR-RADIAL;10uH,10%,6x4mm	...3	R764	2007-000122	R-CHIP;1.2Kohm,5%,1/16W,DA,TP,1608	
...3	L721	2702-001094	INDUCTOR-RADIAL;10uH,10%,6x4mm	...3	R765	2007-000074	R-CHIP;100ohm,5%,1/16W,DA,TP,1608	
...3	L722	2702-001094	INDUCTOR-RADIAL;10uH,10%,6x4mm	...3	R766	2007-000074	R-CHIP;100ohm,5%,1/16W,DA,TP,1608	
...3	L723	2702-001094	INDUCTOR-RADIAL;10uH,10%,6x4mm	...3	R767	2007-000074	R-CHIP;100ohm,5%,1/16W,DA,TP,1608	
...3	L724	2702-001094	INDUCTOR-RADIAL;10uH,10%,6x4mm	...3	R768	2007-000074	R-CHIP;100ohm,5%,1/16W,DA,TP,1608	
...3	L725	2702-001094	INDUCTOR-RADIAL;10uH,10%,6x4mm	...3	R769	2007-000074	R-CHIP;100ohm,5%,1/16W,DA,TP,1608	
...3	L726	2702-001094	INDUCTOR-RADIAL;10uH,10%,6x4mm	...3	R774	2007-001167	R-CHIP;750ohm,5%,1/16W,DA,TP,1608	
...3	LD01	2901-000297	FILTER-EMI ON BOARD;-,3A,-,-,3.5x5,TP,-	...3	R775	2007-000070	R-CHIP;0ohm,5%,1/16W,DA,TP,1608	
...3	LD02	2901-000297	FILTER-EMI ON BOARD;-,3A,-,-,3.5x5,TP,-	...3	R776	2007-001167	R-CHIP;750ohm,5%,1/16W,DA,TP,1608	
...3	LD04	2901-000297	FILTER-EMI ON BOARD;-,3A,-,-,3.5x5,TP,-	...3	R777	2007-001167	R-CHIP;750ohm,5%,1/16W,DA,TP,1608	
...3	PCB	AA41-00343A	PCB-TERMINAL;PCL545R,FR-4,2L,A,1.6T,180X	S.N.A	...3	R779	2007-001167	R-CHIP;750ohm,5%,1/16W,DA,TP,1608
...3	Q701	0501-000727	TR-SMALL SIGNAL:BC848C,NPN,310mW,SOT-23,	...3	R780	2007-000078	R-CHIP;1Kohm,5%,1/16W,DA,TP,1608	

Electrical Parts List

Loc. No.	Code No.	Description ; Specification	Remark	Loc. No.	Code No.	Description ; Specification	Remark	
...3	R788	2007-000078	R-CHIP;1Kohm,5%,1/16W,DA,TP,1608	...3	AA62-30013L	HEAT-SINK,ES;-,-,44/22,-,WHT,-,-,-,	S.N.A	
...3	R791	2007-000074	R-CHIP;100ohm,5%,1/16W,DA,TP,1608	..2	IC2103	AA96-00034A	ASSY-H/S;-,-CONVERGENCE,AA62-30173D,STK	
...3	R792	2007-000074	R-CHIP;100ohm,5%,1/16W,DA,TP,1608	...3	0205-000129	GREASE-SILICON;SC102,JAPAN		
...3	R793	2007-000074	R-CHIP;100ohm,5%,1/16W,DA,TP,1608	...3	1201-001225	IC-VIDEO AMP;392,SIP;22P,-,TRIPLE,-,-,PLAS		
...3	R794	2007-000074	R-CHIP;100ohm,5%,1/16W,DA,TP,1608	...3	6003-001021	SCREW-TAPTITE;RH,+2S,M3,L10,ZPC(YEL),SWR		
...3	R795	2007-000070	R-CHIP;0ohm,5%,1/16W,DA,TP,1608	...3	AA62-30173D	HEAT-SINK,ES;-,-,T1.0,WHITE,SCREW-HOLE[2	S.N.A	
...3	R796	2007-000070	R-CHIP;0ohm,5%,1/16W,DA,TP,1608	..2	IC2104	AA96-00034A	ASSY-H/S;-,-CONVERGENCE,AA62-30173D,STK	
...3	R797	2007-000070	R-CHIP;0ohm,5%,1/16W,DA,TP,1608	..2	L432	AA27-00095A	COIL HORIZ. WIDTH;:,600uH,YL9N 15x27.5 C	
...3	R820	2007-000070	R-CHIP;0ohm,5%,1/16W,DA,TP,1608	..2	L434	AA27-00174A	COIL HORIZ. WIDTH;600UH,600UH,SB-5S OS 6	
...3	R821	2007-000070	R-CHIP;0ohm,5%,1/16W,DA,TP,1608	..2	L435	AA27-10001C	COIL-CHOKE;-100uH,K,-,5.0A,ST,700UH-KIR	
...3	R829	2007-000078	R-CHIP;1Kohm,5%,1/16W,DA,TP,1608	..2	L854	AA27-10001C	COIL-CHOKE;-100uH,K,-,5.0A,ST,700UH-KIR	
...3	R830	2007-001167	R-CHIP;75ohm,5%,1/16W,DA,TP,1608	..2	L860	AA27-10001C	COIL-CHOKE;-100uH,K,-,5.0A,ST,700UH-KIR	
...3	RD01	2007-000084	R-CHIP;4.7Kohm,5%,1/16W,DA,TP,1608	..2	L862	AA27-10001C	COIL-CHOKE;-100uH,K,-,5.0A,ST,700UH-KIR	
...3	RD02	2007-000084	R-CHIP;4.7Kohm,5%,1/16W,DA,TP,1608	..2	L872	AA27-10001C	COIL-CHOKE;-100uH,K,-,5.0A,ST,700UH-KIR	
...3	RD03	2007-000094	R-CHIP;22Kohm,5%,1/16W,DA,TP,1608	..2	L874	AA27-10002L	COIL-CHOKE;-24uH,K,-,2A,-,24UH-K,10x10m	
...3	RD04	2007-000096	R-CHIP;30Kohm,5%,1/16W,DA,TP,1608	△	..2	LC431S	AA27-30003M	COIL-LINEARLITY;-5uH,OWA14x15,USRCO.1x6
...3	RD05	2007-000078	R-CHIP;1Kohm,5%,1/16W,DA,TP,1608	△	..2	PC811S	0604-001032	PHOTO-COUPLER;TR,170-260%,300mW,DIP-4,ST
...3	RD06	2007-000090	R-CHIP;10KOHM,5%,1/16W,DA,TP,1608	..2	PCB	AA41-00340C	PCB-SUB;PCL545R,CEM-1,1L,C,1.6T,330X2	S.N.A
...3	RD07	2007-000106	R-CHIP;22Kohm,5%,1/16W,DA,TP,1608	..2	Q353	0502-000442	TR-POWER;2SC4636RB,NPN,2W,TO-220,ST,10	
...3	RD08	2007-000090	R-CHIP;10KOHM,5%,1/16W,DA,TP,1608	..2	Q431	AA96-00033E	ASSY-H/S;-,-H-OUT,AA62-30173C,2SC5446,	
...3	RD09	2007-000087	R-CHIP;6.8Kohm,5%,1/16W,DA,TP,1608	...3	AA02-00007A	MICA;DPM-04,MICA,22x29x0.15mm		
...3	RD11	2007-000124	R-CHIP;2.2Kohm,5%,1/16W,DA,TP,1608	...3	AA62-30173C	HEAT-SINK,ES;-,-,T1.0,WHITE,SCREW-HOLE[2	S.N.A	
...3	RD12	2007-000913	R-CHIP;43Kohm,5%,1/16W,DA,TP,1608	...3	AA60-30001A	WASHER-PLATE;M3,ID3.5,15X8.5,T1.0,-,SBHG		
...3	RD13	2007-000090	R-CHIP;10KOHM,5%,1/16W,DA,TP,1608	...3	6003-000333	SCREW-TAPTITE;RH,+2S,M3,L10,ZPC(YEL),SW		
...3	RD14	2007-000124	R-CHIP;2.2Kohm,5%,1/16W,DA,TP,1608	...3	0502-001175	TR-POWER;2SC5446,NPN,200000mW,TO-3PL,B		
...3	RD15	2007-000094	R-CHIP;22Kohm,5%,1/16W,DA,TP,1608	...3	0402-001296	DIODE-RECTIFIER;FMP-3FU,1.5KV,5A,TO-3PF,		
...3	RD16	2007-000090	R-CHIP;10KOHM,5%,1/16W,DA,TP,1608	...3	0205-000129	GREASE-SILICON;SC102,JAPAN		
...3	RD17	2007-000090	R-CHIP;10KOHM,5%,1/16W,DA,TP,1608	..2	Q433	AA96-50407A	ASSY-H/S;-,-AA62-30154G,KSD73Y,-	S.N.A
...3	RD19	2007-000084	R-CHIP;4.7Kohm,5%,1/16W,DA,TP,1608	...3	0205-000129	GREASE-SILICON;SC102,JAPAN		
...3	RD20	2007-000084	R-CHIP;4.7Kohm,5%,1/16W,DA,TP,1608	...3	0502-000298	TR-POWER;KSD73,NPN,30000mW,TO-220,TP,1		
...3	RD21	2007-000078	R-CHIP;1Kohm,5%,1/16W,DA,TP,1608	...3	6003-000333	SCREW-TAPTITE;RH,+2S,M3,L10,ZPC(YEL),SW		
...3	RN701	2011-000160	R-NETWORK;10Kohm,5%,1/8W,A,SIP,9P,TP	...3	AA62-30154G	HEAT-SINK,ES;-,-A6063 EXTR,-,WHT,50/16,-,		
...3	RP784	2007-000070	R-CHIP;0ohm,5%,1/16W,DA,TP,1608	..2	Q441	AA96-50383F	ASSY-H/S;-,-AA62-30180D,2SD921,-	S.N.A
...3	RY701	2007-001167	R-CHIP;75ohm,5%,1/16W,DA,TP,1608	...3	0205-000129	GREASE-SILICON;SC102,JAPAN		
...3	RY702	2007-001167	R-CHIP;75ohm,5%,1/16W,DA,TP,1608	...3	0502-001104	TR-POWER;2SD921,NPN,80W,TO-3PBK,700-		
...3	RY703	2007-001167	R-CHIP;75ohm,5%,1/16W,DA,TP,1608	...3	6003-000333	SCREW-TAPTITE;RH,+2S,M3,L10,ZPC(YEL),SW		
...3	..2	..3	..4	..5	..6	AA62-30180D	HEAT-SINK,ES;-,-A6063 EXTR,-,2,WHT,50mm,-,	
..2	..3	..4	..5	..6	..7	Q473	AA96-00037A	ASSY-H/S;-,-AA62-30181N,2SC4125,IRFS
..2	..3	..4	..5	..6	..7	0502-001100	TR-POWER;2SC4125,NPN,70W,TO-3PML,BK,8-	
..2	..3	..4	..5	..6	..7	AA62-30181N	HEAT-SINK,ES;-,-,T1.0,WHITE,SCREW-HOLE[2	S.N.A
..2	..3	..4	..5	..6	..7	AA60-30001A	WASHER-PLATE;M3,ID3.5,15X8.5,T1.0,-,SBHG	
..2	..3	..4	..5	..6	..7	6003-000333	SCREW-TAPTITE;RH,+2S,M3,L10,ZPC(YEL),SW	
..2	..3	..4	..5	..6	..7	0505-001202	FET-SILICON;IRFS640A,N,200V,9.8A,0.18ohm	
..2	..3	..4	..5	..6	..7	0205-000129	GREASE-SILICON;SC102,JAPAN	
△	..2	..3	..4	..5	..6	RL811S	3501-001053	RELAY-POWER;5Vdc,530mW,10A,1FormA,15mS,5
△	..2	..3	..4	..5	..6	RL812S	3501-001040	RELAY-POWER;12VDC,500mW,10A,1FormA,15mS,
△	..2	..3	..4	..5	..6	T431	AA26-50001U	TRANS-HORIZ.DRIVE;-,-,28mH,-,105uH,-,
△	..2	..3	..4	..5	..6	T432	AA26-00012A	TRANS-DUMMY;-,-,-,-,-,-,-,-,-,-,-,EEER4
△	..2	..3	..4	..5	..6	T433	AA26-00011A	TRANS-DUMMY;-,-,-,-,-,-,-,-,-,-,-,EEE28
△	..2	..3	..4	..5	..6	T444S	AA26-00100A	TRANS-FBT;FFA97513L,CT29A7DR,0.3mH,-,-,
△	..2	..3	..4	..5	..6	T461	AA26-50001V	TRANS-HORIZ.DRIVE;-,-,-,6.0mH,-,-,113uH,
△	..2	..3	..4	..5	..6	T481	AA26-00091A	TRANS-HV-STORAGE;4mH,-,14P,830uH,180V,10
△	..2	..3	..4	..5	..6	TS811S	AA26-00055B	TRANS SWITCHING;-,-,HLK436W,AC80V,AC80-280V
..2	..3	..4	..5	..6	..7	AA99-20081X	ASSY-PCB SUB,AUTO; AA95-00705A V	S.N.A
..3	..4	..5	..6	..7	..8	C301	2305-000427	C-FILM,MPEF;47nF,5%,100V,TP,7.5x12.5x3.5
..3	..4	..5	..6	..7	..8	C302	2201-000292	C-CERAMIC,DISC;0.22nF,10%,2KV,Y5P,TP,5x3.5
..3	..4	..5	..6	..7	..8	C303	2305-000427	C-FILM,MPEF;47nF,5%,100V,TP,7.5x12.5x3.5
..3	..4	..5	..6	..7	..8	C304	2201-000292	C-CERAMIC,DISC;1nF,10%,50V,Y5P,TP,5x3.5,
..3	..4	..5	..6	..7	..8	C305	2201-002022	C-CERAMIC,DISC;0.005nF,0.25pF,500V,NPO,T
..3	..4	..5	..6	..7	..8	C307	2401-000365	C-AL;100uF,20%,50V,WT,TP,10x12.5mm
..3	..4	..5	..6	..7	..8	C308	2401-000365	C-AL;100uF,20%,50V,WT,TP,10x12.5mm
..3	..4	..5	..6	..7	..8	C309	2305-000285	C-FILM,MPEF;220nF,5%,100V,TP,10.5X5.5X15
..3	..4	..5	..6	..7	..8	C311	2305-000149	C-FILM,MPEF;100nF,5%,100V,TP,12x12.5x6.5
..3	..4	..5	..6	..7	..8	C351	2401-000471	C-AL;10uF,20%,50V,TP,5x11.5mm
..3	..4	..5	..6	..7	..8	C352	2401-001989	C-AL;4.7uF,20%,50V,TP,5x11.5
..3	..4	..5	..6	..7	..8	C353	2401-000480	C-AL;10uF,20%,50V,TP,5x11.5
..3	..4	..5	..6	..7	..8	C354	2401-002300	C-AL;47uF,20%,50V,TP,6.3x11.5
..3	..4	..5	..6	..7	..8	C355	2201-000991	C-CERAMIC,DISC;0.56nF,10%,2KV,Y5P,TP,7.5
..3	..4	..5	..6	..7	..8	C405	2201-000558	C-CERAMIC,DISC;0.22nF,10%,50V,Y5P,TP,5x3
..3	..4	..5	..6	..7	..8	C406	2201-000370	C-CERAMIC,DISC;0.047nF,10%,50V,Y5P,TP,4X3
..3	..4	..5	..6	..7	..8	C412	2301-000383	C-FILM,PEF;10nF,5%,50V,TP,6x7x3.2mm,5mm
..3	..4	..5	..6	..7	..8	C413	2401-000360	C-AL;100uF,20%,50V,TP,8x11.5
..3	..4	..5	..6	..7	..8	C417	2401-001397	C-AL;470uF,20%,25V,TP,10x16.5
..3	..4	..5	..6	..7	..8	C418	2401-000360	C-AL;100uF,20%,50V,TP,8x11.5
..3	..4	..5	..6	..7	..8	C419	2201-000180	C-CERAMIC,DISC;10nF,10%,50V,Y5V,TP,7x3.5
..3	..4	..5	..6	..7	..8	C426	2401-000360	C-AL;100uF,20%,50V,TP,8x11.5
..3	..4	..5	..6	..7	..8	C427	2401-002300	C-AL;47uF,20%,50V,TP,6.3x11.5

**ASSY-PCB,SUB**

1 \* AA95-00705A ASSY-PCB,SUB;PCL545R,P54A

..2	C432	2306-000267	C-FILM,MPPF;8.2nF,5%,1.6KV,TP,28.5x18.5x	
..2	C438	2306-000267	C-FILM,MPPF;8.2nF,5%,1.6KV,TP,28.5x18.5x	
..2	C491	2306-000322	C-FILM,MPPF;12nF,5%,1.6KV,TP,29x20.5x13,	
..2	C876	2401-000787	C-AL;220uF,20%,160V,GP,TP,16x31.5m	
..2	CN202	AA39-00116A	LEAD CONNECTOR-ASSY;,12P,YBNH250-12,3515	
..2	CN801	AA39-00180A	LEAD CONNECTOR ASSY;,14P,YBNH250-14,3515	
..2	CN802	3711-003974	CONNECTOR-HEADER;BOX,12P,1R,2.5mm,STRAIG	
..2	CN803	3711-003974	CONNECTOR-HEADER;BOX,12P,1R,2.5mm,STRAIG	
..2	CNW801	AA39-20061G	LEAD CONNECTOR-ASSY;,3PYFH800-03,S,100M	
..2	CNZ02	AA39-00115A	LEAD CONNECTOR-ASSY;,10P,YBNH250-10,3515	
△	..2	CR430S	2301-001343	C-FILM,MPPF;3.9nF,5%,2KV,TP,29x9.5x16mm,
△	..2	CR431S	2301-001343	C-FILM,MPPF;3.9nF,5%,2KV,TP,29x9.5x16mm,
△	..2	CR436S	2306-000235	C-FILM,MPPF;560nF,5%,400V,TP,26*22.5*14,
△	..2	CR471S	2301-001091	C-FILM,MPPF;470nF,5%,400V,TP,26x21.5x14,
△	..2	CR473S	2306-000322	C-FILM,MPPF;12nF,5%,1.6KV,TP,29x20.5x13,
△	..2	CR474S	2306-000326	C-FILM,MPPF;4.7nF,5%,1.6KV,TP,28.5x16x9m
..2	CS803	2401-003370	C-AL;47uF,20%,450V,GP,BK,16X35.5,7	
△	..2	CY811S	2201-000446	C-CERAMIC,DISC;3.3nF,20%,400V,Y5U,TP,15x
△	..2	CY812S	2201-000446	C-CERAMIC,DISC;3.3nF,20%,400V,Y5U,TP,15x
..2	D464	0402-000562	DIODE-RECTIFIER;UF5406,600V,3A,DO-201AD,	
△	..2	D811S	0402-000102	DIODE-BRIDGE;D2SB60,600V,1.5A,-
..2	IC301	AA96-50406A	ASSY-H/S;-,-AA62-30180K,LA7845,-	
..3	0205-000129	GREASE-SILICON;SC102,JAPAN		
..3	1204-000517	IC-VERTICAL DEF;LA7845,SIP,7P,-,PLASTIC		
..3	6003-000333	SCREW-TAPTITE;RH,+2S,M3,L10,ZPC(YEL),SW		
..3	AA62-30180K	HEAT-SINK,ES;-,-A6063 EXTR,-,WHT,50/13,-,		
△	..2	IC421	1203-000165	IC-POSJ.ADJUST REG.;78R12,TO-220,4P,-,PL
△	..2	IC430	1203-000162	IC-POSJ.ADJUST REG.;317,TO-220,3P,-,PLAS
△	..2	IC431	1201-000191	IC-OP AMP;A458,DIP8P;300MIL,DUAL,20V/m
△	..2	IC471	1203-000610	IC-PWM CONTROLLER;494,DIP,16P;300MIL,PLA
..2	ICS801	AA13-00024A	IC-HYBRID;-,-TNY253P,-8PIN,-,-	
..2	ICS807	AA96-00111P	ASSY H/S;-,-MAIN,AA62-30013L,KA278RA05,	
..3	1203-001978	IC-VOLTAGE REGULATOR;KA278RA05,TO-220F,4	S.N.A	
..3	6003-000333	SCREW-TAPTITE;RH,+2S,M3,L10,ZPC(YEL),SW		

Loc. No.	Code No.	Description ; Specification	Remark	Loc. No.	Code No.	Description ; Specification	Remark
...	C428	2306-000122	C-FILM,MPPF;100nF,5%,50V,TP,7.3x4.0x5.0m	...	CZ152	2202-000796	C-CERAMIC,MLC-AXIAL;1NF,10%,50V,Y5P,TP,3
...	C429	2305-000704	C-FILM,MPEF;100nF,5%,250V,TP,16.5x10.3x5	...	CZ153	2202-000796	C-CERAMIC,MLC-AXIAL;1NF,10%,50V,Y5P,TP,3
...	C437	2401-003114	C-AL;4.7uF,20%,250V,WT,TP,10x16,5	...	CZ154	2202-000796	C-CERAMIC,MLC-AXIAL;1NF,10%,50V,Y5P,TP,3
...	C445	2401-001622	C-AL;6.8uF,20%,50V,BP,TP,16x25mm,7	...	CZ155	2202-000796	C-CERAMIC,MLC-AXIAL;1NF,10%,50V,Y5P,TP,3
...	C449	2201-000406	C-CERAMIC,DISC;0.27nF,10%,2kV,Y5P,TP,6.3	...	CZ156	2202-000796	C-CERAMIC,MLC-AXIAL;1NF,10%,50V,Y5P,TP,3
...	C450	2401-000262	C-AL;100uF,20%,160V,HR,TP,16x25,7.	...	D302	0402-000546	DIODE-RECTIFIER;TVR10G,400V,1.0A,DO-41,T
...	C451	2401-001160	C-AL;33uF,20%,160V,GP,-,16x35mm,7.	...	D353	0401-000005	DIODE-SWITCHING;1N4148,100V,200mA,DO-35,
...	C452	2201-000132	C-CERAMIC,DISC;0.1nF,10%,500V,Y5P,TP,6.5	...	D384	0402-000132	DIODE-RECTIFIER;1N4004,400V,1A,DO-41,TP
...	C453	2401-002288	C-AL;470uF,20%,25V,WT,TP,10x20,5	...	D385	0401-000005	DIODE-SWITCHING;1N4148,100V,200mA,DO-35,
...	C454	2401-001428	C-AL;470uF,20%,50V,GP,TP,10x20,5	...	D433	0402-000537	DIODE-RECTIFIER;RH1A,600V,0.6A,DO-204AC,TP
...	C455	2201-000132	C-CERAMIC,DISC;0.1nF,10%,500V,Y5P,TP,6.5	...	D434	0402-000546	DIODE-RECTIFIER;TVR10G,400V,1.0A,DO-41,T
...	C456	2401-001527	C-AL;47uF,20%,250V,HR,TP,13x25mm,5	...	D435	0402-000132	DIODE-RECTIFIER;1N4004,400V,1A,DO-41,TP
...	C457	2201-000132	C-CERAMIC,DISC;0.1nF,10%,500V,Y5P,TP,6.5	...	D436	0401-000005	DIODE-SWITCHING;1N4148,100V,200mA,DO-35,
...	C458	2401-002288	C-AL;470uF,20%,25V,WT,TP,10x20,5	...	D440	0402-000534	DIODE-RECTIFIER;RG10V,400V,1.2A,DO-201,T
...	C459	2201-000132	C-CERAMIC,DISC;0.1nF,10%,500V,Y5P,TP,6.5	...	D441	0402-000534	DIODE-RECTIFIER;RG10V,400V,1.2A,DO-201,T
...	C460	2303-000331	C-FILM,PPF;4.7nF,5%,630V,TP,19.5x12x7.7.	...	D442	0401-000005	DIODE-SWITCHING;1N4148,100V,200mA,DO-35,
...	C467	2401-000360	C-AL;100uF,20%,50V,GP,TP,8x11.5,5	...	D443	0401-000005	DIODE-SWITCHING;1N4148,100V,200mA,DO-35,
...	C468	2201-000119	C-CERAMIC,DISC;100nF,+80-20%,50V,Y5V,TP,	...	D444	0402-000546	DIODE-RECTIFIER;TVR10G,400V,1.0A,DO-41,T
...	C469	2201-000180	C-CERAMIC,DISC;10nF,10%,50V,Y5V,TP,7x3,5	...	D445	0402-000534	DIODE-RECTIFIER;RG10V,400V,1.2A,DO-201,T
...	C472	2401-000262	C-AL;100uF,20%,160V,HR,TP,16x25,7.	...	D451	0402-000534	DIODE-RECTIFIER;RG10V,400V,1.2A,DO-201,T
...	C476	2401-001989	C-AL;4.7uF,20%,50V,BP,TP,5x11,5	...	D453	0402-001286	DIODE-RECTIFIER;RP1H,2000V,1A,-,TP
...	C477	2301-000213	C-FILM,PEF;220nF,5%,250V,TP,21.5x11,7,5	...	D472	0402-000546	DIODE-RECTIFIER;TVR10G,400V,1.0A,DO-41,T
...	C478	2301-000020	C-FILM,PEF;27nF,5%,100V,TP,7.3x4x12.5mm,	...	D474	0402-000546	DIODE-RECTIFIER;TVR10G,400V,1.0A,DO-41,T
...	C479	2301-000200	C-FILM,PEF;2.2nF,5%,200V,TP,11.0x6.0x9.0	...	D477	0401-000005	DIODE-SWITCHING;1N4148,100V,200mA,DO-35,
...	C480	2306-000122	C-FILM,MPPF;100nF,5%,50V,TP,7.3x4.0x5.0m	...	D478	0401-000005	DIODE-SWITCHING;1N4148,100V,200mA,DO-35,
...	C481	2401-002235	C-AL;10uF,20%,16V,GP,TP,5x11mm,5mm	...	D479	0401-000005	DIODE-SWITCHING;1N4148,100V,200mA,DO-35,
...	C483	2401-000660	C-AL;2.2uF,20%,50V,GP,TP,5x11,5	...	D480	0402-000132	DIODE-RECTIFIER;1N4004,400V,1A,DO-41,TP
...	C484	2201-000132	C-CERAMIC,DISC;0.1nF,10%,500V,Y5P,TP,6.5	...	D484	0402-000132	DIODE-RECTIFIER;1N4004,400V,1A,DO-41,TP
...	C487	2305-000178	C-FILM,MPEF;10nF,5%,100V,TP,-,5mm	...	D501	0402-000132	DIODE-RECTIFIER;1N4004,400V,1A,DO-41,TP
...	C488	2401-002144	C-AL;47uF,20%,16V,GP,TP,5x11,5	△	DR401S	0401-000005	DIODE-SWITCHING;1N4148,100V,200mA,DO-35,
...	C489	2401-001840	C-AL;100uF,20%,16V,GP,TP,6.3x11,5	△	DR402S	0401-000005	DIODE-SWITCHING;1N4148,100V,200mA,DO-35,
...	C490	2201-000119	C-CERAMIC,DISC;100nF,+80-20%,50V,Y5V,TP,	△	DR404S	0403-001325	DIODE-ZENER;MTZJ15C,14.35-15.09V,500mW,D
...	C492	2401-001026	C-AL;3.3uF,20%,50V,GP,TP,5x11,5	...	DS805	0404-001056	DIODE-SCHOTTKY;RK16,60V,1.5A,DO-204AC,TP
...	C857	2401-000133	C-AL;1000uF,20%,16V,GP,TP,10x20,5	...	DS807	0402-000546	DIODE-RECTIFIER;TVR10G,400V,1.0A,DO-41,T
...	C866	2401-000192	C-AL;1000uF,20%,50V,GP,TP,16x25,7.	...	DS809	0404-001056	DIODE-SCHOTTKY;RK16,60V,1.5A,DO-204AC,TP
...	C869	2401-000192	C-AL;1000uF,20%,50V,GP,TP,16x25,7.	...	DZ301	0403-001327	DIODE-ZENER;MTZJ18A,16.22-17.06V,500mW,D
...	C873	2401-001998	C-AL;1000uF,20%,25V,GP,TP,10x20,5m	...	DZ304	0403-001327	DIODE-ZENER;MTZJ18A,16.22-17.06V,500mW,D
...	CN401	3711-002645	CONNECTOR-HEADER;BOX,6P,1R,2.5mm,STRAIGH	...	DZ305	0403-001329	DIODE-ZENER;MTZJ24B,22.61-23.77V,500mW,D
...	CN403	3711-002642	CONNECTOR-HEADER;BOX,3P,1R,2.5mm,STRAIGH	...	DZ306	0403-001330	DIODE-ZENER;MTZJ30A,26.99-28.39V,500mW,D
△	CR401S	2401-001026	C-AL;3.3uF,20%,50V,GP,TP,5x11,5	...	DZ307	0403-001329	DIODE-ZENER;MTZJ24B,22.61-23.77V,500mW,D
△	CR402S	2201-000146	C-CERAMIC,DISC;0.1nF,5%,50V,SL,TP,5x3,5.	...	DZ386	0403-001316	DIODE-ZENER;MTZJ3.0A,2.85-3.07V,500mW,DO
△	CR403S	2201-000146	C-CERAMIC,DISC;0.1nF,5%,50V,SL,TP,5x3,5.	...	DZ395	0403-001319	DIODE-ZENER;MTZJ4.7C,4.68-4.93V,500mW,DO
...	CS804	2201-000119	C-CERAMIC,DISC;100nF,+80-20%,50V,Y5V,TP,	...	DZ400	0403-001325	DIODE-ZENER;MTZJ4.7A,4.68-4.93V,500mW,DO
...	CS805	2401-001101	C-AL;330uF,20%,16V,GP,TP,8x11.5,5	...	DZ413	0403-001319	DIODE-ZENER;MTZJ4.7C,4.68-4.93V,500mW,DO
...	CS807	2201-000119	C-CERAMIC,DISC;100nF,+80-20%,50V,Y5V,TP,	...	DZ473	0403-000720	DIODE-ZENER;MTZJ9.1B,9.1V,8.57-9.01V,500
...	CS808	2401-0002463	C-AL;470uF,20%,16V,GP,TP,8x11.5,5	...	DZ474	0403-000734	DIODE-ZENER;TZP15B,15V,14.7-16.5V,1W,DO-
...	CS809	2201-000556	C-CERAMIC,DISC;0.47nF,10%,500V,Y5P,TP,5.	...	DZ481	0403-001327	DIODE-ZENER;MTZJ18A,16.22-17.06V,500mW,D
...	CS812	2201-002076	C-CERAMIC,DISC;0.068nF,5%,1kV,SL,TP,8x4m	△	DZ482S	0403-000720	DIODE-ZENER;MTZJ9.1B,9.1V,8.57-9.01V,500
...	CS813	2201-000332	C-CERAMIC,DISC;2.2nF,20%,250V,Y5U,TP,9x4	...	DZ483	0403-000720	DIODE-ZENER;MTZJ9.1B,9.1V,8.57-9.01V,500
...	CS814	2201-000332	C-CERAMIC,DISC;2.2nF,20%,250V,Y5U,TP,9x4	...	DZ801	0406-001106	DIODE-TVS;P6KE300A,285/-/315V,600W,DO-2
...	CZ101	2401-001428	C-AL;470uF,20%,50V,GP,TP,10x20,5	...	DZ802	0406-001106	DIODE-TVS;P6KE300A,285/-/315V,600W,DO-2
...	CZ102	2401-001428	C-AL;470uF,20%,50V,GP,TP,10x20,5	...	DZ803	0403-000508	DIODE-ZENER;MTZJ5.6B,5.6V,5.45-5.73V,500
...	CZ108	2201-000499	C-CERAMIC,DISC;0.39nF,5%,50V,SL,TP,8.5x3	...	DZ804	0403-000716	DIODE-ZENER;MTZJ4.7B,4.7V,4.55-4.8V,500m
...	CZ109	2201-000499	C-CERAMIC,DISC;0.39nF,5%,50V,SL,TP,8.5x3	...	DZ805	0403-001322	DIODE-ZENER;MTZJ8.2B,7.78-8.19V,500mW,DO
...	CZ110	2201-000499	C-CERAMIC,DISC;0.39nF,5%,50V,SL,TP,8.5x3	...	DZ806	0403-000691	DIODE-ZENER;R2K,170V,170-200V,-,TP
...	CZ111	2201-000976	C-CERAMIC,DISC;0.022nF,5%,50V,NPO,TP,5x3	...	DZ807	0403-000734	DIODE-ZENER;TZP15B,15V,14.7-16.5V,1W,DO-
...	CZ112	2201-000863	C-CERAMIC,DISC;0.68nF,10%,50V,Y5P,TP,5x3	△	FD101S	3601-001065	FUSE-AXIAL LEAD;125V,3.5A,FAST-ACTING,CE
...	CZ113	2201-000976	C-CERAMIC,DISC;0.022nF,5%,50V,NPO,TP,5x3	△	FD102S	3601-001065	FUSE-AXIAL LEAD;125V,3.5A,FAST-ACTING,CE
...	CZ114	2201-000863	C-CERAMIC,DISC;0.68nF,10%,50V,Y5P,TP,5x3	△	ICR01S	1203-001217	IC-POSITIVE ADJUST REG.;431,TO-92,3P,4.58MIL
...	CZ115	2201-000976	C-CERAMIC,DISC;0.022nF,5%,50V,NPO,TP,5x3	...	L341	2701-000116	INDUCTOR-AXIAL;1uH,10%,4.2x9.8mm
...	CZ116	2201-000863	C-CERAMIC,DISC;0.68nF,10%,50V,Y5P,TP,5x3	...	L480	2901-000297	FILTER-EMI ON BOARD;-3A,-,3.5x5,TP-
...	CZ117	2201-000327	C-CERAMIC,DISC;2.2nF,10%,50V,Y5V,TP,6.5x	...	L481	3301-000287	CORE-FERRITE BEAD;AA,3.5x1.0x6.0mm,1500,
...	CZ118	2201-000327	C-CERAMIC,DISC;2.2nF,10%,50V,Y5V,TP,6.5x	...	L482	3301-000374	CORE-FERRITE BEAD;AA,3.5x1.0x9.0mm,-,-
...	CZ126	2201-000499	C-CERAMIC,DISC;0.39nF,5%,50V,SL,TP,8.5x3	...	L483	2901-000299	FILTER-EMI ON BOARD;-6A,UL/CSA,-,9x7.5,
...	CZ127	2201-000499	C-CERAMIC,DISC;0.39nF,5%,50V,SL,TP,8.5x3	...	L492	3301-000287	CORE-FERRITE BEAD;AA,3.5x1.0x6.0mm,1500,
...	CZ128	2201-000499	C-CERAMIC,DISC;0.39nF,5%,50V,SL,TP,8.5x3	...	L493	3301-000287	CORE-FERRITE BEAD;AA,3.5x1.0x6.0mm,1500,
...	CZ132	2201-000976	C-CERAMIC,DISC;0.022nF,5%,50V,NPO,TP,5x3	...	L494	3301-000374	CORE-FERRITE BEAD;AA,3.5x1.0x9.0mm,-,-
...	CZ133	2201-000863	C-CERAMIC,DISC;0.68nF,10%,50V,Y5P,TP,5x3	...	L495	3301-000287	CORE-FERRITE BEAD;AA,3.5x1.0x6.0mm,1500,
...	CZ134	2201-000976	C-CERAMIC,DISC;0.022nF,5%,50V,NPO,TP,5x3	...	L499	2901-000297	FILTER-EMI ON BOARD;-3A,-,3.5x5,TP-
...	CZ135	2201-000863	C-CERAMIC,DISC;0.68nF,10%,50V,Y5P,TP,5x3	...	LS801	2901-000297	FILTER-EMI ON BOARD;-3A,-,3.5x5,TP-
...	CZ136	2201-000976	C-CERAMIC,DISC;0.022nF,5%,50V,NPO,TP,5x3	...	LS802	2901-000297	FILTER-EMI ON BOARD;-3A,-,3.5x5,TP-
...	CZ137	2201-000863	C-CERAMIC,DISC;0.68nF,10%,50V,Y5P,TP,5x3	...	LZ107	2701-000142	INDUCTOR-AXIAL;1uH,10%,2.5x3.4mm
...	CZ138	2201-000327	C-CERAMIC,DISC;2.2nF,10%,50V,Y5V,TP,6.5x	...	LZ108	2701-000142	INDUCTOR-AXIAL;1uH,10%,2.5x3.4mm
...	CZ139	2201-000327	C-CERAMIC,DISC;2.2nF,10%,50V,Y5V,TP,6.5x	...	LZ109	2701-000142	INDUCTOR-AXIAL;1uH,10%,2.5x3.4mm
...	CZ140	2401-000962	C-AL;22uF,20%,50V,GP,TP,5x11,5	...	LZ110	2701-000142	INDUCTOR-AXIAL;1uH,10%,2.5x3.4mm
...	CZ141	2401-000962	C-AL;22uF,20%,50V,GP,TP,5x11,5	...	LZ111	2701-000142	INDUCTOR-AXIAL;1uH,10%,2.5x3.4mm
...	CZ151	2202-000796	C-CERAMIC,MLC-AXIAL;1NF,10%,50V,Y5P,TP,3	...	LZ112	2701-000142	INDUCTOR-AXIAL;1uH,10%,2.5x3.4mm

Loc. No.	Code No.	Description ; Specification	Remark	Loc. No.	Code No.	Description ; Specification	Remark
...	Q301	0501-000389	TR-SMALL SIGNAL;KSC815,NPN,400mW,TO-92,T	...	R421	2003-002159	R-METAL OXIDE;1500HM,5%,1W,AG,TP,4.3X12MM
...	Q350	0501-000389	TR-SMALL SIGNAL;KSC815,NPN,400mW,TO-92,T	...	R422	2001-000028	R-CARBON(S);1000HM,5%,1/2W,AA,TP,2.4X6.4
...	Q351	0501-000389	TR-SMALL SIGNAL;KSC815,NPN,400mW,TO-92,T	...	R423	2001-000613	R-CARBON;3.9KOHM,5%,1/8W,AA,TP,1.8X3.2
...	Q352	0501-000366	TR-SMALL SIGNAL;KSC2330-Y,NPN,1W,TO-92L	...	R424	2008-000299	R-FUSIBLE(S);47ohm,5%,2W,AF,TP,3.9x10mm
...	Q381	0501-000389	TR-SMALL SIGNAL;KSC815,NPN,400mW,TO-92,T	...	R425	2003-000417	R-METAL OXIDE(S);1.2Kohm,5%,3W,AA,TP,6x1
...	Q382	0501-000389	TR-SMALL SIGNAL;KSC815,NPN,400mW,TO-92,T	...	R426	2003-002153	R-METAL OXIDE;4.7OHM,5%,2W,AG,TP,6X16MM
...	Q401	0501-000389	TR-SMALL SIGNAL;KSC815,NPN,400mW,TO-92,T	...	R427	2003-002152	R-METAL OXIDE;10HM,5%,2W,AG,TP,6X16MM
...	Q402	0501-000389	TR-SMALL SIGNAL;KSC815,NPN,400mW,TO-92,T	...	R427A	2003-002152	R-METAL OXIDE;10HM,5%,2W,AG,TP,6X16MM
...	Q421	0501-000389	TR-SMALL SIGNAL;KSC815,NPN,400mW,TO-92,T	...	R428	2002-001017	R-COMPOSITION;1Kohm,10%,1/2W,AA,TP,3.7x9
...	Q422	0505-000156	FET-SILICON;IRF620,N,200V,5A,0.8ohm,50W,	...	R428A	2002-001017	R-COMPOSITION;1Kohm,10%,1/2W,AA,TP,3.7x9
...	Q432	0501-000283	TR-SMALL SIGNAL;KSA539,FNP,400mW,TO-92,T	...	R429	2003-000586	R-METAL OXIDE(S);22Kohm,5%,2W,AF,TP,4x12
...	Q435	0501-000369	TR-SMALL SIGNAL;KSC2331-Y,NPN,1000mW,TO-92,T	...	R430	2003-000586	R-METAL OXIDE(S);22Kohm,5%,2W,AF,TP,4x12
...	Q436	0501-000389	TR-SMALL SIGNAL;KSC815,NPN,400mW,TO-92,T	...	R432	2001-001144	R-CARBON(S);4.7KOHM,5%,1/2W,AA,TP,2.4X6
...	Q451	0501-000389	TR-SMALL SIGNAL;KSC815,NPN,400mW,TO-92,T	...	R433	2001-001155	R-CARBON(S);5.6KOHM,5%,1/2W,AA,TP,2.4X6
...	Q461	0501-000389	TR-SMALL SIGNAL;KSC815,NPN,400mW,TO-92,T	...	R434	2001-001093	R-CARBON(S);2.2KOHM,5%,1/2W,AA,TP,2.4X6
...	Q471	0501-000389	TR-SMALL SIGNAL;KSC815,NPN,400mW,TO-92,T	...	R435	2001-001107	R-CARBON(S);220ohm,5%,1/2W,AA,TP,2.4x6.4
...	Q472	0505-000156	FET-SILICON;IRF620,N,200V,5A,0.8ohm,50W,	...	R436	2001-001182	R-CARBON(S);7.5KOHM,5%,1/2W,AA,TP,2.4X6
...	Q474	0501-000389	TR-SMALL SIGNAL;KSC815,NPN,400mW,TO-92,T	...	R437	2008-001087	R-FUSIBLE(S);1.8ohm,5%,2W,AG,TP,3.9x12mm
...	Q481	0501-000389	TR-SMALL SIGNAL;KSC815,NPN,400mW,TO-92,T	...	R438	2001-000085	R-CARBON(S);100KOHM,5%,1/2W,AA,TP,2.4X6
...	Q482	0501-000283	TR-SMALL SIGNAL;KSA539,FNP,400mW,TO-92,T	...	R439	2001-000085	R-CARBON(S);10KOHM,5%,1/2W,AA,TP,2.4X6
△	Q4801S	0501-000283	TR-SMALL SIGNAL;KSA539,FNP,400mW,TO-92,T	...	R440	2008-000282	R-FUSIBLE;0.47ohm,5%,1W,AA,TP,3.9x12mm
...	Q5801	0501-000369	TR-SMALL SIGNAL;KSC2331-Y,NPN,1000mW,TO-92,T	...	R441	2008-000253	R-FUSIBLE(S);0.47ohm,5%,1W,AF,TP,3.9x10mm
...	Q5802	0501-000389	TR-SMALL SIGNAL;KSC815,NPN,400mW,TO-92,T	...	R442	2008-000253	R-FUSIBLE(S);0.47ohm,5%,1W,AF,TP,3.9x10mm
...	R301	2004-001897	R-METAL(S);43.2Kohm,1%,1/2W,AA,TP,2.5x6	...	R442A	2008-000254	R-FUSIBLE(S);0.68ohm,5%,2W,AF,TP,3.9x10mm
...	R302	2004-001897	R-METAL(S);43.2Kohm,1%,1/2W,AA,TP,2.5x6	...	R443	2003-002156	R-METAL OXIDE;560OHM,5%,2W,AG,TP,6X16MM
...	R303	2004-001984	R-METAL(S);26.7Kohm,1%,1/2W,AA,TP,2.4x6	...	R443A	2003-002156	R-METAL OXIDE;560OHM,5%,2W,AG,TP,6X16MM
...	R305	2004-001984	R-METAL(S);26.7Kohm,1%,1/2W,AA,TP,2.4x6	...	R444	2003-000995	R-METAL OXIDE(S);3.3Kohm,5%,2W,AF,TP,3.9
...	R306	2003-002129	R-METAL OXIDE(S);3.9ohm,5%,2W,AF,TP,3.9x	...	R445	2008-000253	R-FUSIBLE(S);0.47ohm,5%,1W,AF,TP,3.9x10mm
...	R307	2003-002129	R-METAL OXIDE(S);3.9ohm,5%,2W,AF,TP,3.9x	...	R446	2001-000734	R-CARBON;4.7KOHM,5%,1/8W,AA,TP,1.8X3.2
...	R308	2001-000016	R-CARBON(S);10HM,5%,1/2W,AA,TP,2.4X6,4MM	...	R447	2008-000254	R-FUSIBLE(S);0.68ohm,5%,2W,AF,TP,3.9x10mm
...	R310	2003-002009	R-METAL OXIDE(S);390ohm,5%,2W,AF,TP,3.9x	...	R448	2001-000258	R-CARBON;1.8KOHM,5%,1/8W,AA,TP,1.8X3.2
...	R312	2001-000290	R-CARBON;10KOHM,5%,1/8W,AA,TP,1.8X3.2M	...	R449	2008-000253	R-FUSIBLE(S);0.47ohm,5%,1W,AF,TP,3.9x10mm
...	R313	2001-000761	R-CARBON;4300HM,5%,1/8W,AA,TP,1.8X3.2M	...	R454	2001-000761	R-CARBON;4300HM,5%,1/8W,AA,TP,1.8X3.2M
...	R314	2001-000761	R-CARBON;4300HM,5%,1/8W,AA,TP,1.8X3.2M	...	R455	2001-000761	R-CARBON;4300HM,5%,1/8W,AA,TP,1.8X3.2M
...	R332	2001-001107	R-CARBON(S);220ohm,5%,1/2W,AA,TP,2.4x6.4	...	R456	2001-000761	R-CARBON;4300HM,5%,1/8W,AA,TP,1.8X3.2M
...	R333	2001-001107	R-CARBON(S);220ohm,5%,1/2W,AA,TP,2.4x6.4	...	R458	2001-000577	R-CARBON;2KOHM,5%,1/8W,AA,TP,1.8X3.2MM
...	R334	2001-001107	R-CARBON(S);220ohm,5%,1/2W,AA,TP,2.4x6.4	...	R459	2001-001192	R-CARBON(S);820OHM,5%,1/2W,AA,TP,2.4X6.4
...	R350	2001-000878	R-CARBON;6.2KOHM,5%,1/8W,AA,TP,1.8X3.2	...	R460	2003-002044	R-METAL OXIDE(S);100ohm,5%,1W,AF,TP,2.5x
...	R351	2001-000008	R-CARBON;15KOHM,5%,1/8W,AA,TP,1.8X3.2M	...	R461	2001-000613	R-CARBON;3.9KOHM,5%,1/8W,AA,TP,1.8X3.2
...	R352	2001-000837	R-CARBON;51KOHM,5%,1/8W,AA,TP,1.8X3.2M	...	R462	2008-001079	R-FUSIBLE(S);4.7OHM,5%,2W,AF,TP,3.9X10MM
...	R353	2001-000660	R-CARBON;33KOHM,5%,1/8W,AA,TP,1.8X3.2M	...	R463	2003-001024	R-METAL OXIDE(S);150ohm,5%,2W,AF,TP,3.9x
...	R354	2001-000734	R-CARBON;4.7KOHM,5%,1/8W,AA,TP,1.8X3.2	...	R464	2003-002158	R-METAL OXIDE;0.68OHM,5%,1W,AG,TP,4.3X12
...	R355	2001-000857	R-CARBON;560OHM,5%,1/8W,AA,TP,1.8X3.2M	...	R465	2008-000253	R-FUSIBLE(S);0.47ohm,5%,1W,AF,TP,3.9x10mm
...	R356	2001-000591	R-CARBON;3.3KOHM,5%,1/8W,AA,TP,1.8X3.2	...	R466	2004-001386	R-METAL(S);16.9Kohm,1%,1/2W,AA,TP,2.4x6
...	R357	2001-000591	R-CARBON;3.3KOHM,5%,1/8W,AA,TP,1.8X3.2	...	R467	2004-001986	R-METAL(S);35.7Kohm,1%,1/2W,AA,TP,2.4x6
...	R358	2001-000857	R-CARBON;560OHM,5%,1/8W,AA,TP,1.8X3.2M	...	R468	2001-001122	R-CARBON(S);3.9KOHM,5%,1/2W,AA,TP,2.4X6
...	R359	2001-000109	R-CARBON(S);470OHM,5%,1/2W,AA,TP,2.4X6.4	...	R469	2001-001088	R-CARBON(S);1KOHM,5%,1/2W,AA,TP,2.4X6.4MM
...	R360	2001-000723	R-CARBON;4.3KOHM,5%,1/8W,AA,TP,1.8X3.2	...	R470	2001-000028	R-CARBON(S);100OHM,5%,1/2W,AA,TP,2.4X6.4
...	R361	2004-001395	R-METAL(S);330Kohm,2%,1/2W,AA,TP,2.4x6.4	...	R471	2004-002011	R-METAL(S);110Kohm,1%,1/2W,AA,TP,2.4x6.4
...	R362	2004-001395	R-METAL(S);330Kohm,2%,1/2W,AA,TP,2.4x6.4	...	R472	2008-000252	R-FUSIBLE(S);4.7OHM,5%,1/2W,AF,TP,2.5x
...	R363	2004-001395	R-METAL(S);330Kohm,2%,1/2W,AA,TP,2.4x6.4	...	R473	2004-001395	R-METAL(S);330Kohm,2%,1/2W,AA,TP,2.4x6.4
...	R364	2004-001395	R-METAL(S);330Kohm,2%,1/2W,AA,TP,2.4x6.4	...	R474	2001-000009	R-CARBON;20KOHM,5%,1/8W,AA,TP,1.8X3.2M
...	R365	2004-001395	R-METAL(S);330Kohm,2%,1/2W,AA,TP,2.4x6.4	...	R475	2001-000812	R-CARBON;5.6KOHM,5%,1/8W,AA,TP,1.8X3.2
...	R366	2002-001006	R-COMPOSITION;4.7Kohm,5%,1/2W,AA,TP,3.7x	...	R482	2001-001031	R-CARBON;91KOHM,5%,1/8W,AA,TP,1.8X3.2M
...	R384	2001-001150	R-CARBON(S);470KOHM,5%,1/2W,AA,TP,2.4X6	...	R483	2001-000429	R-CARBON;1KOHM,5%,1/8W,AA,TP,1.8X3.2MM
...	R385	2001-000577	R-CARBON;2KOHM,5%,1/8W,AA,TP,1.8X3.2MM	...	R484	2001-000429	R-CARBON;1KOHM,5%,1/8W,AA,TP,1.8X3.2MM
...	R386	2001-000786	R-CARBON;47KOHM,5%,1/8W,AA,TP,1.8X3.2M	...	R485	2008-001137	R-FUSIBLE(S);3.3ohm,5%,1W,AF,TP,3.9x10mm
...	R387	2001-000009	R-CARBON;20KOHM,5%,1/8W,AA,TP,1.8X3.2M	...	R486	2008-001018	R-FUSIBLE(S);0.47ohm,10%,2W,AF,TP,3.9x10
...	R388	2001-000522	R-CARBON;22KOHM,5%,1/8W,AA,TP,1.8X3.2M	...	R487	2001-000924	R-CARBON;680OHM,5%,1/8W,AA,TP,1.8X3.2M
...	R389	2001-000577	R-CARBON;2KOHM,5%,1/8W,AA,TP,1.8X3.2MM	...	R488	2001-000273	R-CARBON;100KOHM,5%,1/8W,AA,TP,1.8X3.2
...	R397	2001-000429	R-CARBON;1KOHM,5%,1/8W,AA,TP,1.8X3.2MM	...	R489	2001-000800	R-CARBON;5.1KOHM,5%,1/8W,AA,TP,1.8X3.2
...	R405	2009-001109	R-TEMPERATURE;240ohm,5%,1/4W,AA,TP,2.3x6	...	R490	2001-000800	R-CARBON;5.1KOHM,5%,1/8W,AA,TP,1.8X3.2
...	R406	2004-001983	R-METAL(S);2.49Kohm,1%,1/2W,AA,TP,2.4x6	...	R491	2001-001146	R-CARBON(S);1.8MOHM,5%,1/2W,AA,TP,2.4X6.4
...	R407	2004-001897	R-METAL(S);43.2Kohm,1%,1/2W,AA,TP,2.5x6	...	R492	2001-000508	R-CARBON;220KOHM,5%,1/8W,AA,TP,1.8X3.2
...	R408	2004-001402	R-METAL(S);6.8Kohm,1%,1/2W,AA,TP,2.4x6.4	...	R494	2001-000734	R-CARBON;4.7KOHM,5%,1/8W,AA,TP,1.8X3.2
...	R409	2001-001178	R-CARBON(S);6800OHM,5%,1/2W,AA,TP,2.4X6.4	...	R495	2001-000262	R-CARBON;1.8MOHM,5%,1/8W,AA,TP,1.8X3.2
...	R410	2001-000052	R-CARBON(S);3.3KOHM,5%,1/2W,AA,TP,2.4X6	...	R501	2004-001376	R-METAL(S);11Kohm,1%,1/2W,AA,TP,2.4x6.4mm
...	R411	2008-001113	R-FUSIBLE(S);0.22ohm,10%,2W,AG,TP,3.9x12	...	R502	2004-001369	R-METAL(S);1.2Kohm,1%,1/2W,AA,TP,2.4x6.4
...	R412	2001-000362	R-CARBON;150OHM,5%,1/8W,AA,TP,1.8X3.2M	...	R856	2001-001155	R-CARBON(S);5.6KOHM,5%,1/2W,AA,TP,2.4X6
...	R413	2001-001088	R-CARBON(S);1KOHM,5%,1/2W,AA,TP,2.4X6.4MM	...	R857	2001-001155	R-CARBON(S);5.6KOHM,5%,1/2W,AA,TP,2.4X6
...	R414	2001-000734	R-CARBON;4.7KOHM,5%,1/8W,AA,TP,1.8X3.2	...	RFS802	2008-000294	R-FUSIBLE(S);33ohm,5%,2W,AF,TP,3.9x10mm
...	R415	2001-000734	R-CARBON;4.7KOHM,5%,1/8W,AA,TP,1.8X3.2	...	RFZ19	2008-000261	R-FUSIBLE(S);150ohm,5%,1W,AF,TP,3.9x10mm
...	R416	2001-000006	R-CARBON;2.4KOHM,5%,1/8W,AA,TP,1.8X3.2	...	RFZ20	2008-000261	R-FUSIBLE(S);150ohm,5%,1W,AF,TP,3.9x10mm
...	R417	2001-000515	R-CARBON;220OHM,5%,1/8W,AA,TP,1.8X3.2M	...	RFZ21	2008-000261	R-FUSIBLE(S);150ohm,5%,1W,AF,TP,3.9x10mm
...	R418	2001-000290	R-CARBON;10KOHM,5%,1/8W,AA,TP,1.8X3.2M	...	RFZ22	2008-000261	R-FUSIBLE(S);150ohm,5%,1W,AF,TP,3.9x10mm
...	R419	2001-000290	R-CARBON;10KOHM,5%,1/8W,AA,TP,1.8X3.2M	...	RFZ50	2008-000261	R-FUSIBLE(S);150ohm,5%,1W,AF,TP,3.9x10mm
...	R420	2001-000281	R-CARBON;100OHM,5%,1/8W,AA,TP,1.8X3.2M	...	RFZ51	2008-000261	R-FUSIBLE(S);150ohm,5%,1W,AF,TP,3.9x10mm

Loc. No.	Code No.	Description ; Specification	Remark
...	RFZ52	2008-000261	R-FUSIBLE(S);150ohm,5%,1W,AF,TP,3.9x10mm
...	RFZ53	2008-000261	R-FUSIBLE(S);150ohm,5%,1W,AF,TP,3.9x10mm
△	RR401S	2004-001892	R-METAL(S);162Kohm,1%,1/2W,AA,TP,2.5x6.5
△	RR402S	2103-001086	VR-SEMI;100KOHM,25%,0.3W,TOP
△	RR403S	2004-004001	R-METAL(S);180Kohm,1%,1/2W,AA,TP,2.5x6.5
△	RR404S	2004-004046	R-METAL(S);430Kohm,1%,1/2W,AA,TP,2.5x6.5
△	RR405S	2004-004046	R-METAL(S);430Kohm,1%,1/2W,AA,TP,2.5x6.5
△	RR406S	2004-001892	R-METAL(S);162Kohm,1%,1/2W,AA,TP,2.5x6.5
△	RR407S	2001-000429	R-CARBON;1KOHM,5%,1/8W,AA,TP,1.8X3.2MM
△	RR408S	2001-000449	R-CARBON;2.2KOHM,5%,1/8W,AA,TP,1.8X3.2
△	RR409S	2001-000005	R-CARBON;390ohm,5%,1/8W,AA,TP,1.8X3.2m
△	RR410S	2001-000290	R-CARBON;10KOHM,5%,1/8W,AA,TP,1.8X3.2M
△	RR471S	2103-001024	VR-SEMI;50Kohm,25%,0.3W,TOP
...	RS801	2001-001093	R-CARBON(S);2.2KOHM,5%,1/2W,AA,TP,2.4X6.
...	RS803	2001-001159	R-CARBON(S);510OHM,5%,1/2W,AA,TP,2.4X6.4
...	RS804	2001-001182	R-CARBON(S);7.5KOHM,5%,1/2W,AA,TP,2.4X6.
...	RS805	2001-001107	R-CARBON(S);220ohm,5%,1/2W,AA,TP,2.4X6.4
...	RS806	2001-001159	R-CARBON(S);510OHM,5%,1/2W,AA,TP,2.4X6.4
...	RS807	2001-001192	R-CARBON(S);820OHM,5%,1/2W,AA,TP,2.4X6.4
...	RS808	2001-000066	R-CARBON(S);10KOHM,5%,1/2W,AA,TP,2.4X6.4
...	RS809	2001-001099	R-CARBON(S);2.7KOHM,5%,1/2W,AA,TP,2.4X6.
...	RS810	2001-000085	R-CARBON(S);100KOHM,5%,1/2W,AA,TP,2.4X6.
...	RS811	2001-001097	R-CARBON(S);2.4KOHM,5%,1/2W,AA,TP,2.4X6.
...	RZ104	2001-001114	R-CARBON(S);270OHM,5%,1/2W,AA,TP,2.4X6.4
...	RZ105	2001-001114	R-CARBON(S);270OHM,5%,1/2W,AA,TP,2.4X6.4
...	RZ106	2001-001114	R-CARBON(S);270OHM,5%,1/2W,AA,TP,2.4X6.4
...	RZ107	2001-001114	R-CARBON(S);270OHM,5%,1/2W,AA,TP,2.4X6.4
...	RZ108	2001-001114	R-CARBON(S);270OHM,5%,1/2W,AA,TP,2.4X6.4
...	RZ109	2001-001114	R-CARBON(S);270OHM,5%,1/2W,AA,TP,2.4X6.4
...	RZ110	2001-000563	R-CARBON;27KOHM,5%,1/8W,AA,TP,1.8X3.2M
...	RZ111	2001-000563	R-CARBON;27KOHM,5%,1/8W,AA,TP,1.8X3.2M
...	RZ112	2001-000563	R-CARBON;27KOHM,5%,1/8W,AA,TP,1.8X3.2M
...	RZ113	2001-000591	R-CARBON;3.3KOHM,5%,1/8W,AA,TP,1.8X3.2
...	RZ114	2001-000857	R-CARBON;560OHM,5%,1/8W,AA,TP,1.8X3.2M
...	RZ115	2001-000591	R-CARBON;3.3KOHM,5%,1/8W,AA,TP,1.8X3.2
...	RZ116	2001-000857	R-CARBON;560OHM,5%,1/8W,AA,TP,1.8X3.2M
...	RZ117	2001-000591	R-CARBON;3.3KOHM,5%,1/8W,AA,TP,1.8X3.2
...	RZ118	2001-000857	R-CARBON;560OHM,5%,1/8W,AA,TP,1.8X3.2M
...	RZ123	2003-002148	R-METAL OXIDE;3.9OHM,2%,2W,AF,TP,3.9X10M
...	RZ124	2003-002148	R-METAL OXIDE;3.9OHM,2%,2W,AF,TP,3.9X10M
...	RZ125	2003-002148	R-METAL OXIDE;3.9OHM,2%,2W,AF,TP,3.9X10M
...	RZ126	2003-002148	R-METAL OXIDE;3.9OHM,2%,2W,AF,TP,3.9X10M
...	RZ127	2003-002148	R-METAL OXIDE;3.9OHM,2%,2W,AF,TP,3.9X10M
...	RZ128	2003-002148	R-METAL OXIDE;3.9OHM,2%,2W,AF,TP,3.9X10M
...	RZ129	2003-002171	R-METAL OXIDE(S);150ohm,5%,2W,AG,TP,3.9x
...	RZ129A	2003-002171	R-METAL OXIDE(S);150ohm,5%,2W,AG,TP,3.9x
...	RZ130	2003-002171	R-METAL OXIDE(S);150ohm,5%,2W,AG,TP,3.9x
...	RZ130A	2003-002171	R-METAL OXIDE(S);150ohm,5%,2W,AG,TP,3.9x
...	RZ131	2003-002171	R-METAL OXIDE(S);150ohm,5%,2W,AG,TP,3.9x
...	RZ131A	2003-002171	R-METAL OXIDE(S);150ohm,5%,2W,AG,TP,3.9x
...	RZ132	2003-002171	R-METAL OXIDE(S);150ohm,5%,2W,AG,TP,3.9x
...	RZ132A	2003-002171	R-METAL OXIDE(S);150ohm,5%,2W,AG,TP,3.9x
...	RZ133	2001-000563	R-CARBON;27KOHM,5%,1/8W,AA,TP,1.8X3.2M
...	RZ134	2001-000563	R-CARBON;27KOHM,5%,1/8W,AA,TP,1.8X3.2M
...	RZ135	2001-000563	R-CARBON;27KOHM,5%,1/8W,AA,TP,1.8X3.2M
...	RZ136	2001-000591	R-CARBON;3.3KOHM,5%,1/8W,AA,TP,1.8X3.2
...	RZ137	2001-000857	R-CARBON;560OHM,5%,1/8W,AA,TP,1.8X3.2M
...	RZ138	2001-000591	R-CARBON;3.3KOHM,5%,1/8W,AA,TP,1.8X3.2
...	RZ139	2001-000857	R-CARBON;560OHM,5%,1/8W,AA,TP,1.8X3.2M
...	RZ140	2001-000591	R-CARBON;3.3KOHM,5%,1/8W,AA,TP,1.8X3.2
...	RZ141	2001-000857	R-CARBON;560OHM,5%,1/8W,AA,TP,1.8X3.2M
...	RZ142	2003-002148	R-METAL OXIDE;3.9OHM,2%,2W,AF,TP,3.9X10M
...	RZ143	2003-002148	R-METAL OXIDE;3.9OHM,2%,2W,AF,TP,3.9X10M
...	RZ144	2003-002148	R-METAL OXIDE;3.9OHM,2%,2W,AF,TP,3.9X10M
...	RZ145	2003-002148	R-METAL OXIDE;3.9OHM,2%,2W,AF,TP,3.9X10M
...	RZ146	2003-002148	R-METAL OXIDE;3.9OHM,2%,2W,AF,TP,3.9X10M
...	RZ147	2003-002148	R-METAL OXIDE;3.9OHM,2%,2W,AF,TP,3.9X10M
...	RZ148	2003-002171	R-METAL OXIDE(S);150ohm,5%,2W,AG,TP,3.9x
...	RZ148A	2003-002171	R-METAL OXIDE(S);150ohm,5%,2W,AG,TP,3.9x
...	RZ149	2003-002171	R-METAL OXIDE(S);150ohm,5%,2W,AG,TP,3.9x
...	RZ149A	2003-002171	R-METAL OXIDE(S);150ohm,5%,2W,AG,TP,3.9x
△	VP811S	1405-000152	VARISTOR;560V,2500A,14x8.5mm,TP
..2		3301-001201	CORE-FERRITE;AE,21x11x32mm,1500,280G
..2		0202-000187	SOLDER-WIRE FLUX;-RS60S,D1.2,63Sn/37Pb

Loc. No.	Code No.	Description ; Specification	Remark
1 *	AA95-00714A	ASSY-PCB,V/M	
..2	CNZ101	AA39-20055E	LEAD CONNECTOR-ASSY;6P,YBNH025-06,67096
..2	PCB	AA41-00344A	PCB-VM;PCL545R,FR-1,1L,A,1.6T,245X24
..2	QZ101	AA96-50162F	ASSY-H/S;-POWER,AA62-30013E,2SA1011,3
...		0502-000131	TR-POWER;2SA1011-D,PNP,1.2W,TO-220,-6
...		6003-000333	SCREW-TAPTITE;RH,+2S,M3,1.10,ZPC(YEL),SW
...		AA62-30013E	HEAT-SINK,ES;-A6063 EXTR,-,30(21) T02
..2	QZ102	AA96-50162G	ASSY-H/S;-AMP,AA62-30013E,2SC2344,30M
...		0502-000153	TR-POWER;2SC2344-D,PNP,1.2W,TO-220,-6
...		6003-000333	SCREW-TAPTITE;RH,+2S,M3,1.10,ZPC(YEL),SW
...		AA62-30013E	HEAT-SINK,ES;-A6063 EXTR,-,30(21) T02
..2	RZ120	2008-001097	R-FUSIBLE(S);330HM,5%,1/2W,AC,BK,2.5X6.5
..2		0202-000187	SOLDER-WIRE FLUX;-RS60S,D1.2,63Sn/37Pb
..2		AA33-00008A	MAGNET CONVERGENCE;JH92LTU-36A,7inchPRT,
..2		6003-001023	SCREW-TAPTITE;RWH,+B,M3,1.10,ZPC(YEL),SW
..2		3301-001201	CORE-FERRITE;AE,21x11x32mm,1500,280G
..2		AA99-20080N	ASSY-PCB SUB,AUTO; AA95-00714A /V
...	CNZ102	3711-002642	CONNECTOR-HEADER;BOX,3P,1R,2.5mm,STRAIGH
...	CNZ103	3711-002642	CONNECTOR-HEADER;BOX,3P,1R,2.5mm,STRAIGH
...	CNZ104	3711-002642	CONNECTOR-HEADER;BOX,3P,1R,2.5mm,STRAIGH
...	CZ101	2401-002144	C-AL;47uf,20%,16V,GP,TP,5x11,5
...	CZ102	2401-001157	C-AL;33uf,20%,160V,GP,TP,12.5x20,5
...	CZ103	2201-000516	C-CERAMIC,DISC;4.7nF,+100-0%,500V,Y5U,TP
...	CZ104	2201-000193	C-CERAMIC,DISC;0.01nF,0.25pf,50V,NP0,TP
...	CZ105	2201-000516	C-CERAMIC,DISC;4.7nF,+100-0%,500V,Y5U,TP
...	CZ106	2201-000193	C-CERAMIC,DISC;0.01nF,0.25pf,50V,NP0,TP
...	CZ107	2401-001513	C-AL;47uf,20%,16V,WT,TP,5x11,5
...	CZ108	2401-001220	C-AL;4.7uf,20%,160V,GP,TP,8x11.5,5
...	CZ109	2401-001220	C-AL;4.7uf,20%,160V,GP,TP,8x11.5,5
...	CZ110	2201-000604	C-CERAMIC,DISC;0.056nF,+100-0%,500V,SL,T
...	CZ111	2401-000480	C-AL;10uf,20%,50V,GP,TP,5x11,5
...	CZ112	2401-000832	C-AL;220uf,20%,25V,GP,TP,8x11.5,5
...	DZ101	0402-000546	DIODE-RECTIFIER;TVR10G,400V,1.0A,DO-41,T
...	DZ102	0401-000005	DIODE-SWITCHING;1N4148,100V,200mA,DO-35,
...	DZ103	0402-000546	DIODE-RECTIFIER;TVR10G,400V,1.0A,DO-41,T
...	DZ104	0402-000546	DIODE-RECTIFIER;TVR10G,400V,1.0A,DO-41,T
...	DZ105	0401-000005	DIODE-SWITCHING;1N4148,100V,200mA,DO-35,
...	DZ106	0401-000005	DIODE-SWITCHING;1N4148,100V,200mA,DO-35,
...	LZ101	2701-000002	INDUCTOR-AXIAL;100uH,10%,4.2x9.8mm
...	QZ103	0501-000283	TR-SMALL SIGNAL;KSA539,PNP,400mW,TO-92,T
...	QZ104	0501-000389	TR-SMALL SIGNAL;KSC815,NPN,400mW,TO-92,T
...	QZ105	0501-000389	TR-SMALL SIGNAL;KSC815,NPN,400mW,TO-92,T
...	QZ106	0501-000389	TR-SMALL SIGNAL;KSC815,NPN,400mW,TO-92,T
...	RFZ101	2008-001086	R-FUSIBLE(S);3.3ohm,5%,2W,AG,TP,3.9x12mm
...	RZ101	2001-000241	R-CARBON;1.5KOHM,5%,1/8W,AA,TP,1.8X3.2
...	RZ102	2001-000221	R-CARBON;1.2KOHM,5%,1/8W,AA,TP,1.8X3.2
...	RZ103	2003-000713	R-METAL OXIDE(S);47ohm,5%,2W,AF,TP,4x12m
...	RZ104	2001-001100	R-CARBON(S);2.70HM,5%,1/2W,AA,TP,2.4X6.4
...	RZ105	2001-001139	R-CARBON(S);39KOHM,5%,1/2W,AA,TP,2.4X6.4
...	RZ106	2001-001139	R-CARBON(S);39KOHM,5%,1/2W,AA,TP,2.4X6.4
...	RZ107	2001-000331	R-CARBON;12KOHM,5%,1/8W,AA,TP,1.8X3.2M
...	RZ108	2001-000241	R-CARBON;1.5KOHM,5%,1/8W,AA,TP,1.8X3.2
...	RZ109	2001-000221	R-CARBON;1.2KOHM,5%,1/8W,AA,TP,1.8X3.2
...	RZ110	2001-001100	R-CARBON(S);2.70HM,5%,1/2W,AA,TP,2.4X6.4
...	RZ111	2003-000713	R-METAL OXIDE(S);47ohm,5%,2W,AF,TP,4x12m
...	RZ112	2003-002157	R-METAL OXIDE;220OHM,5%,2W,AG,TP,6X16MM
...	RZ113	2003-002157	R-METAL OXIDE;220OHM,5%,2W,AG,TP,6X16MM
...	RZ114	2003-000532	R-METAL OXIDE(S);18ohm,5%,2W,AF,TP,4x12m
...	RZ115	2001-000832	R-CARBON;510OHM,5%,1/8W,AA,TP,1.8X3.2M
...	RZ116	2001-000331	R-CARBON;12KOHM,5%,1/8W,AA,TP,1.8X3.2M
...	RZ117	2001-000258	R-CARBON;1.8KOHM,5%,1/8W,AA,TP,1.8X3.2
...	RZ118	2001-000258	R-CARBON;1.8KOHM,5%,1/8W,AA,TP,1.8X3.2
...	RZ119	2001-000554	R-CARBON;270OHM,5%,1/8W,AA,TP,1.8X3.2M
...	RZ121	2001-000666	R-CARBON;330HM,5%,1/8W,AA,TP,1.8X3.2MM
...	RZ122	2001-000019	R-CARBON(S);100HM,5%,1/2W,AA,TP,2.4X6.4M
...	RZ123	2003-002157	R-METAL OXIDE;220OHM,5%,2W,AG,TP,6X16MM

**ASSY-PCB,V/M****ASSY PCB POWER**

Electrical Parts List

Loc. No.	Code No.	Description ; Specification	Remark	Loc. No.	Code No.	Description ; Specification	Remark	
.2	C812	2401-000701	C-AL,2200uF,20%,250V,GP,-,35x70mm,	...	DZ858	0403-001325	DIODE-ZENER;MTZJ15C,14.35-15.09V,500mW,D	
.2	C813	2401-000701	C-AL,2200uF,20%,250V,GP,-,35x70mm,	...	F801A	3602-000114	FUSE-HOLDER,-,30mohm	
.2	C831	2306-000323	C-FILM,MPPF;2.2nF,5%,1.6KV,TP,28.5x15.5x	...	F801B	3602-000114	FUSE-HOLDER,-,30mohm	
.2	C862	2401-003076	C-AL,3300uF,20%,50V,WP,BK,18x35.5m	...	F802A	3602-000114	FUSE-HOLDER,-,30mohm	
.2	C865	2401-000737	C-AL,2200uF,20%,50V,GP,TP,18x35.5,	...	F802B	3602-000114	FUSE-HOLDER,-,30mohm	
.2	C868	2401-000737	C-AL,2200uF,20%,50V,GP,TP,18x35.5,	...	F804A	3602-000114	FUSE-HOLDER,-,30mohm	
.2	C875	2401-002251	C-AL;470uF,20%,200V,GP,BK,25x40mm,	...	F804B	3602-000114	FUSE-HOLDER,-,30mohm	
.2	CN802	AA39-00116A	LEAD CONNECTOR-ASSY;12P,YBNH250-12,3515	...	F855A	3602-000114	FUSE-HOLDER,-,30mohm	
.2	CN803	AA39-00116A	LEAD CONNECTOR-ASSY;12P,YBNH250-12,3515	...	F855B	3602-000114	FUSE-HOLDER,-,30mohm	
△.2	CX801S	2306-000112	C-FILM,MPPF;100nF,20%,250V,BK,-,15mm	△.3	F805S	3601-001086	FUSE-AXIAL LEAD;125V,5A,FAST-ACTING,GLAS	
△.2	CX802S	2306-000112	C-FILM,MPPF;100nF,20%,250V,BK,-,15mm	△.3	F806S	3601-001065	FUSE-AXIAL LEAD;125V,3.5A,FAST-ACTING,CE	
.2	CY801S	2201-000987	C-CERAMIC,DISC;2.2nF,20%,400V,Y5U,TP,12.	△.3	F8054S	3601-001086	FUSE-AXIAL LEAD;125V,5A,FAST-ACTING,GLAS	
△.2	CY802S	2201-000987	C-CERAMIC,DISC;2.2nF,20%,400V,Y5U,TP,12.	△.3	F8071S	3601-001086	FUSE-AXIAL LEAD;125V,5A,FAST-ACTING,GLAS	
△.2	D801S	AA96-50310A	ASSY-H/S,-,POWER,AA62-30150C,RBV606,-	...	L806	2901-000297	FILTER-EMI ON BOARD,-,3A,-,3.5x5,TP,-	
...		AA62-30150C	HEAT-SINK,ES,-,A6063 EXTR,-,VHT,40(24.5)	S.N.A	L807	2901-000297	FILTER-EMI ON BOARD,-,3A,-,3.5x5,TP,-	
...		AA60-30003A	WASHER,-,T1.5,-,SBHG-1,-	...	L808	3301-000287	CORE-FERRITE BEAD;AA,3.5x1.0x6.0mm,1500,	
...		6003-000333	SCREW-TAPTITE;RH,+2S,M3,L10,ZPC(YEL),SW	...	L810	2901-000297	FILTER-EMI ON BOARD,-,3A,-,3.5x5,TP,-	
...		0402-000549	DIODE-BRIDGE,RBV606,600V,6A,-,BK	...	L811	2901-000297	FILTER-EMI ON BOARD,-,3A,-,3.5x5,TP,-	
...		0205-000129	GREASE-SILICON;SC102,JAPAN	...	L812	2901-000297	FILTER-EMI ON BOARD,-,3A,-,3.5x5,TP,-	
△.2	D810	0402-000250	DIODE-RECTIFIER;RG4C,1000V,1A,-	...	L813	2901-000297	FILTER-EMI ON BOARD,-,3A,-,3.5x5,TP,-	
△.2	D854	AA96-50153C	ASSY-H/S,-,AA62-30013D,FLM-G12S,-	S.N.A	L814	3301-000287	CORE-FERRITE BEAD;AA,3.5x1.0x6.0mm,1500,	
...		0402-000233	DIODE-RECTIFIER;FML-G12S,200V,5A,-,-	...	L815	2901-000297	FILTER-EMI ON BOARD,-,3A,-,3.5x5,TP,-	
...		6003-000333	SCREW-TAPTITE;RH,+2S,M3,L10,ZPC(YEL),SW	...	L816	2901-000297	FILTER-EMI ON BOARD,-,3A,-,3.5x5,TP,-	
...		AA62-30013D	HEAT-SINK,ES,-,A6063 EXTR,-,55(21) T02	S.N.A	L831	3301-000287	CORE-FERRITE BEAD;AA,3.5x1.0x6.0mm,1500,	
△.2	D855	AA96-50153C	ASSY-H/S,-,AA62-30013D,FLM-G12S,-	S.N.A	L832	3301-000287	CORE-FERRITE BEAD;AA,3.5x1.0x6.0mm,1500,	
△.2	D856	AA96-50153C	ASSY-H/S,-,AA62-30013D,FLM-G12S,-	S.N.A	L851	2901-000297	FILTER-EMI ON BOARD,-,3A,-,3.5x5,TP,-	
△.2	D857	AA96-50153C	ASSY-H/S,-,AA62-30013D,FLM-G12S,-	S.N.A	L857	2901-000297	FILTER-EMI ON BOARD,-,3A,-,3.5x5,TP,-	
△.2	D858	AA96-50153C	ASSY-H/S,-,AA62-30013D,FLM-G12S,-	S.N.A	L859	2901-000297	FILTER-EMI ON BOARD,-,3A,-,3.5x5,TP,-	
△.2	D859	AA96-50153A	ASSY-H/S,-,TR,AA62-30013D,FMG-G26S,-	S.N.A	Q801	0501-000389	TR-SMALL SIGNAL;KSC815,NPN,400mW,TO-92,T	
...		0402-000231	DIODE-RECTIFIER;FMG-G26S,600V,4A,TO-220F	...	R808	2001-000085	R-CARBON(S);10KOHM,5%,1/2W,AA,TP,2.4X6.	
...		6003-000333	SCREW-TAPTITE;RH,+2S,M3,L10,ZPC(YEL),SW	...	R808A	2001-000085	R-CARBON(S);10KOHM,5%,1/2W,AA,TP,2.4X6.	
...		AA62-30013D	HEAT-SINK,ES,-,A6063 EXTR,-,55(21) T02	S.N.A	R812	2003-002170	R-METAL OXIDE(S);15Kohm,5%,2W,AG,TP,3.9x	
△.2	FD802S	3601-000300	FUSE-CARTRIDGE;250V,6.3A,SLOW-BLOW,GLASS	...	R814	2003-002170	R-METAL OXIDE(S);15Kohm,5%,2W,AG,TP,3.9x	
△.2	FD804S	3601-000300	FUSE-CARTRIDGE;250V,6.3A,SLOW-BLOW,GLASS	...	R815	2003-000512	R-METAL OXIDE(S);15Kohm,5%,3W,AA,TP,6x16	
△.2	FD855S	3601-000300	FUSE-CARTRIDGE;250V,6.3A,SLOW-BLOW,GLASS	...	R815A	2003-000512	R-METAL OXIDE(S);15Kohm,5%,3W,AA,TP,6x16	
△.2	FP801S	3601-000300	FUSE-CARTRIDGE;250V,6.3A,SLOW-BLOW,GLASS	...	R832	2001-001178	R-CARBON(S);680OHM,5%,1/2W,AA,TP,2.4X6.5	
△.2	IC801S	AA96-00035A	ASSY-H/S,-,POWER,AA62-30181P,STR-F6656	...	R834	2001-001097	R-CARBON(S);2.4KOHM,5%,1/2W,AA,TP,2.4X6.	
...		0205-000129	GREASE-SILICON;SC102,JAPAN	...	R837	2001-001097	R-CARBON(S);2.4KOHM,5%,1/2W,AA,TP,2.4X6.	
...		6003-000333	SCREW-TAPTITE;RH,+2S,M3,L10,ZPC(YEL),SW	...	R838	2001-001097	R-CARBON(S);2.4KOHM,5%,1/2W,AA,TP,2.4X6.	
...		AA13-00018A	IC-HYBRID,-,STR-F6656,L1351,5PIN,-,-	S.N.A	R855	2001-001196	R-CARBON(S);9.1KOHM,5%,1/2W,AA,TP,2.4X6.	
...		AA62-30181P	HEAT-SINK,ES,-,T1.0,WHITE,SCREW-HOLE[2]	...	R871	2001-001088	R-CARBON(S);1KOHM,5%,1/2W,AA,TP,2.4X6.4M	
△.2	IC804	1203-001400	IC-POWER PRESCALER;SE110N,TO-220(SIP),3P	...	R872	2001-000066	R-CARBON(S);10KOHM,5%,1/2W,AA,TP,2.4X6.4	
△.2	LX801S	AA29-30002L	FILTER-LINE NOISE,-,10mHMIN,5A,AC90-260V	...	R873	2004-004366	R-METAL(S);1.3Kohm,1%,1/2W,AA,TP,2.5x6.5	
△.2	LX802S	AA29-30002M	FILTER-LINE NOISE,-,1mHMIN,5A,AC90-260V,	...	R874	2001-000734	R-CARBON;4.7KOHM,5%,1/8W,AA,TP,1.8X3.2	
△.2	LX803S	AA29-30002M	FILTER-LINE NOISE,-,1mHMIN,5A,AC90-260V,	...	R875	2004-004366	R-METAL(S);1.3Kohm,1%,1/2W,AA,TP,2.5x6.5	
△.2	NT801S	1404-001195	THERMISTOR-NTC;5.1ohm,15%,2900,27mW/C,BK	△.3	RP801S	2002-001010	R-COMPOSITION;1.8Mohm,5%,1/2W,AA,TP,3.7x	
△.2	PC801S	0604-001032	PHOTO-COUPLER,TR,170-260V,300mW,DIP,4,ST	△.3	RX801S	2002-001011	R-COMPOSITION;3.3Mohm,5%,1/2W,AA,TP,3.7x	
.2	PCB	AA41-00342A	PCB-POWER;PCL545R,CEM-1,1LA,1.6T,330X2	S.N.A	RY801S	2002-001013	R-COMPOSITION;4.7Mohm,5%,1/2W,AA,TP,3.7x	
.2	R817	2009-001096	R-METAL PLATE;0.07ohm,5%,5W,CL,BK,5x14x1	...	VP801S	1405-000152	VARIABLE;560V,2500A,14x8.5mm,TP	
.2	R841	2008-001093	R-FUSIBLE(S);220HM,5%,1/2W,AC,BK,2.5X6.5	△.3	VX801S	1405-000187	VARIABLE;750V,1250A,12.5x7mm,TP	
△.2	T801S	AA26-00099A	TRANS SWITCHING;EER5345,PCL544R,AC,220V,1	...				
.2		0202-000187	SOLDER-WIRE FLUX,-,RS60S,D1,2.63Sn/37Pb					
.2		AA99-20081T	ASSY-PCB SUB,AUTO; AA95-00799A _V	S.N.A				
...	C809	2201-000551	C-CERAMIC,DISC;0.47nF,10%,1kV,Y5P,TP,6.3	...				
...	C814	2201-000241	C-CERAMIC,DISC;0.82nF,10%,2kV,Y5P,TP,9x5	...				
...	C815	2201-000406	C-CERAMIC,DISC;0.27nF,10%,2kV,Y5P,TP,6.3	...	1 *	AA95-01415A	ASSY-CONTROL,-,HCL4715W,P54A	
...	C816	2201-000332	C-CERAMIC,DISC;2.2nF,20%,250V,Y5U,TP,9x4	...	.2 PCB+A/	6003-001023	SCREW-TAPTITE;RWH,+B,M3,L10,ZPC(YEL),SW	
...	C817	2201-000332	C-CERAMIC,DISC;2.2nF,20%,250V,Y5U,TP,9x4	...	.2	AA91-00652D	ASSY-CONTROL;HIPS HB GRAY,LG807P+SV012P	
...	C818	2301-001216	C-FILM,PPF;47nF,5%,630V,TP,20x14.5x22,7.	...	.3 KC+PC	6002-000522	SCREW-TAPPING;TH,+2,M4,L15,ZPC(BLK),SWR	
...	C819	2201-000332	C-CERAMIC,DISC;2.2nF,20%,250V,Y5U,TP,9x4	...	.3	KNOPOW	AA61-60003J	SPRING-CS,-,SUS304,-,0D6,N7,DD6,-,-,
...	C833	2201-000292	C-CERAMIC,DISC;1nF,10%,50V,Y5P,TP,5x3.5,	...	.3		AA64-01750B	KNOB POWER;54J9,62J9,ABS HB,-,-,GRAY
...	C834	2401-003028	C-AL;100uF,20%,25V,WT,TP,6.3x11.5	...	.3		AA64-01752B	INDICATOR LED;54J9,62J9,ACRYL,-,-,-,CL
...	C851	2201-000551	C-CERAMIC,DISC;0.47nF,10%,1kV,Y5P,TP,6.3	...	.3		AA64-01755B	WINDOW REMOCON;54J9,62J9,PC,SEMI VIOLET
...	C852	2401-000133	C-AL;1000uF,20%,16V,GP,TP,10x20.5	...	.3		AA64-01749D	KNOB-CONTROL,HOLDER;47W1,ABS HB,BLK,SV-0
...	C853	2401-000603	C-AL;1uF,20%,50V,GP,TP,5x11.5	...	.3		AA64-01747D	DOOR-AV;47W1,HIPS HB,BLK,DG-703P
...	C854	2201-000551	C-CERAMIC,DISC;0.47nF,10%,1kV,Y5P,TP,6.3	...	.3		AA64-01746D	PANEL-CONTROL;47W1,HIPS HB,BLK,DG703P+LG
...	C855	2401-000703	C-AL;2200uF,20%,25V,GP,-,12.5x25mm	...	.3		AA64-01396E	INLAY-AV;43.54,62J8,PS SHEET,TO,3,BLK,
...	C861	2201-000551	C-CERAMIC,DISC;0.47nF,10%,1kV,Y5P,TP,6.3	...	.2		AA95-00961C	ASSY-PCB,CONTROL;-,SVP-47W3HR,P54A
...	C864	2201-000551	C-CERAMIC,DISC;0.47nF,10%,1kV,Y5P,TP,6.3	...	.3	CNW01	AA39-00223A	LEAD CONNECTOR ASSY;11P,67096-011,35155
...	C871	2201-000551	C-CERAMIC,DISC;0.47nF,10%,1kV,Y5P,TP,6.3	...	.3	CNY01	3711-003353	CONNECTOR-HEADER;BOX,11P,1R,2.5mm,ANGLE,
...	C872	2401-000703	C-AL;2200uF,20%,25V,GP,-,12.5x25mm	...	.3	CNY02	3711-000447	CONNECTOR-HEADER;3WALL,3P,1R,2.5mm,ANGLE
...	C874	2201-000551	C-CERAMIC,DISC;0.47nF,10%,1kV,Y5P,TP,6.3	...	.3	CNYW02	AA39-00259A	LEAD CONNECTOR ASSY;-UL1007#26,UL/CSA,3P
...	C877	2305-000427	C-FILM,MPEF;47nF,5%,100V,TP,7.5x12.5x3.5	...	.3	LEDY01	0601-001381	LED;ROUND,RED;GRN,5.0MM,650/563NM
△.3	D834	0402-000546	DIODE-RECTIFIER;TVR10G,400V,1.0A,DO-41,T	...	.3	PCB	AA41-00518A	PCB-CONTROL;SVP-47W3HR,FR,1,1LA,1.6T,24
△.3	D843	0402-000546	DIODE-RECTIFIER;TVR10G,400V,1.0A,DO-41,T	...	.3	PCB	AA59-60002B	MODULE-REMOCON;-ORC-50HF,38KHZ,940mm,ME
△.3	D851	0402-000493	DIODE-RECTIFIER;1R5GU41,400V,1.5A,DO-15L	...	.3	RMY01	AA59-60002B	MODULE-REMOCON;-ORC-50HF,38KHZ,940mm,ME
△.3	D853	0402-000132	DIODE-RECTIFIER;1N4004,400V,1A,DO-41,TP	...	.3	SWY01	3404-001006	SWITCH-TACT;12V,50mA,160gf,6x6mm,SPST

ASSY-CONTROL



Loc. No.	Code No.	Description ; Specification	Remark
...3	SWY02	3404-001006 SWITCH-TACT;12V,50mA,160gf,6x6mm,SPST	
...3	SWY03	3404-001006 SWITCH-TACT;12V,50mA,160gf,6x6mm,SPST	
...3	SWY04	3404-001006 SWITCH-TACT;12V,50mA,160gf,6x6mm,SPST	
...3	SWY05	3404-001006 SWITCH-TACT;12V,50mA,160gf,6x6mm,SPST	
...3	SWY06	3404-001006 SWITCH-TACT;12V,50mA,160gf,6x6mm,SPST	
...3	SWY07	3404-001006 SWITCH-TACT;12V,50mA,160gf,6x6mm,SPST	
...3	SWY08	3404-001006 SWITCH-TACT;12V,50mA,160gf,6x6mm,SPST	
...	0202-000187	SOLDER-WIRE FLUX;-RS60S,D1.2,63Sn/37Pb	
...3	AA99-20098F	ASSY-PCB SUB,AUTO; AA95-00961C ,V	S.N.A
...4	CY01	2401-002009 C-AL;100uF,20%,16V,GP,TP,6.3x7,5	
...4	DZY02	0403-000510 DIODE-ZENER;MTZJ6.2B,6.2V,5.96-6.27V,500	
...4	DZY03	0403-000510 DIODE-ZENER;MTZJ6.2B,6.2V,5.96-6.27V,500	
...4	QY01	0504-000123 TR-DIGITAL;KSR1010,NPN,300mW,10K,TO-92,T	
...4	RY02	2001-001178 R-CARBON(S);680OHM,5%,1/2W,AA,TP,2.4X6.4	
...4	RY03	2001-000429 R-CARBON;1KOHM,5%,1/8W,AA,TP,1.8X3.2MM	
...4	RY04	2001-000449 R-CARBON;2.2KOHM,5%,1/8W,AA,TP,1.8X3.2	
...4	RY05	2001-000924 R-CARBON;680OHM,5%,1/8W,AA,TP,1.8X3.2M	
...4	RY06	2001-000429 R-CARBON;1KOHM,5%,1/8W,AA,TP,1.8X3.2MM	
...4	RY07	2001-000020 R-CARBON(S);220OHM,5%,1/2W,AA,TP,2.4X6.4M	
...4	RY08	2001-001108 R-CARBON(S);22KOHM,5%,1/2W,AA,TP,2.4X6.4	
...4	RY09	2001-000109 R-CARBON(S);470OHM,5%,1/2W,AA,TP,2.4X6.4	
...	3301-001201	CORE-FERRITE;AE,21x11x32mm,1500,280G	
...	AA95-00998C	ASSY-PCB,A/V FRONT;SVP-47W3HR,P54A	
...3	CNY01A	3711-003601 CONNECTOR-HEADER;BOX,12P,1R,2.5mm,ANGLE,	
...3	CNY702	3711-000447 CONNECTOR-HEADER;3WALL,3P,1R,2.5mm,ANGLE	
...	AA39-00257B	LEAD CONNECTOR ASSY;HCL552WX,2547#26,UL/	
...	AA39-00260A	LEAD CONNECTOR ASSY;UL1007#26,UL/CSA,3P	
...3	JK101	3722-000544 JACK-VHS;4P,11.5mm,AG,BLK,N	
...3	JK102	3722-001164 JACK-PIN;3P,3.4mm,SN,WH;YE:RE,#16-22	
...3	PCB	AA41-00499A PCB-FRONT A/V;SVP-54T6SR,FR-1,1L,A,1.6T,	S.N.A
...3	RK101	2001-000613 R-CARBON;3.9KOHM,5%,1/8W,AA,TP,1.8X3.2	
...3	SW101	3404-000208 SWITCH-TACT;12V,50mA,120gf,6x6mm,SPST	
...	AA91-00762A	ASSY-JACK,SIDE;-W3	
...4	AA61-00793B	HOLDER-JACK;W3,ABS HB,WHT,SVM1126	S.N.A
...4	AA64-02085B	DOOR-AV;W3,ABS HB,WHT,SVM1126	
...4	AA64-02086B	INLAY-AV;W3,PS SHEET,TO.5	S.N.A
...	0202-000187	SOLDER-WIRE FLUX;-RS60S,D1.2,63Sn/37Pb	
...	6003-001023	SCREW-TAPTITE;RW,+,B,M3,L10,ZPC(YEL),SW	S.N.A
...	3301-001201	CORE-FERRITE;AE,21x11x32mm,1500,280G	

### ASSY-PCB,INTERFACE

1	*	AA95-00968E	ASSY-PCB,INTERFACE;-SVP-54T6SR,P54A,DOM
...	..2	CN05	3711-003641 CONNECTOR-HEADER;BOX,12P,1R,2.5mm,STRAIG
...	..2	CN09	3711-002646 CONNECTOR-HEADER;BOX,7P,1R,2.5mm,STRAIGH
...	..2	CNYW09	AA39-00259M LEAD CONNECTOR ASSY;-7P67096-007,S,1000
...	..2	IC01	1201-000229 IC-OP AMP;324,DIP,14P,300MIL,QUAD,100V/
...	..2	IC02	1002-001256 IC-A/D CONVERTER;AD7823YN,8Bits,DIP,8P,2
...	..2	IC03	1203-001006 IC-VOLTAGE REGULATOR;78R05,TO-220F,4P,-
...	..2	PCB	AA41-00397B PCB-AUTO CONVERGENCE;PCL545R,FR-1,1L,B,1
...	..2	AA99-20095Z	ASSY-PCB SUB,AUTO; AA95-00968E ,V
...	..3	C01	2201-000949 C-CERAMIC,DISC;0.005nF,0.5pF,50V,UJ,TP,4
...	..3	C02	2201-000949 C-CERAMIC,DISC;0.005nF,0.5pF,50V,UJ,TP,4
...	..3	C03	2201-000949 C-CERAMIC,DISC;0.005nF,0.5pF,50V,UJ,TP,4
...	..3	C04	2201-000949 C-CERAMIC,DISC;0.005nF,0.5pF,50V,UJ,TP,4
...	..3	C05	2401-002144 C-AL;47uF,20%,16V,GP,TP,5x11.5
...	..3	C06	2201-000119 C-CERAMIC,DISC;100nF,+80-20%,50V,Y5V,TP,
...	..3	C07	2301-000289 C-FILM,PEF;5.6nF,5%,50V,TP,7x6x3,5
...	..3	C08	2301-000383 C-FILM,PEF;10nF,5%,50V,TP,6x7x3.2mm,5mm
...	..3	C10	2401-000914 C-AL;22uF,20%,16V,GP,TP,5x11.5
...	..3	C11	2401-002144 C-AL;47uF,20%,16V,GP,TP,5x11.5
...	..3	C12	2201-000119 C-CERAMIC,DISC;100nF,+80-20%,50V,Y5V,TP,
...	..3	C13	2401-002144 C-AL;47uF,20%,16V,GP,TP,5x11.5
...	..3	C14	2201-000119 C-CERAMIC,DISC;100nF,+80-20%,50V,Y5V,TP,
...	..3	C15	2401-000287 C-AL;100uF,20%,16V,WT,TP,6.3x11.5
...	..3	C16	2201-000119 C-CERAMIC,DISC;100nF,+80-20%,50V,Y5V,TP,
...	..3	D05	0401-000005 DIODE-SWITCHING;1N4148,100V,200mA,DO-35,
...	..3	DZ01	0403-000510 DIODE-ZENER;MTZJ6.2B,6.2V,5.96-6.27V,500
...	..3	DZ02	0403-000510 DIODE-ZENER;MTZJ6.2B,6.2V,5.96-6.27V,500
...	..3	DZ03	0403-000510 DIODE-ZENER;MTZJ6.2B,6.2V,5.96-6.27V,500
...	..3	DZ04	0403-000510 DIODE-ZENER;MTZJ6.2B,6.2V,5.96-6.27V,500
...	..3	DZ05	0403-000510 DIODE-ZENER;MTZJ6.2B,6.2V,5.96-6.27V,500
...	..3	DZ06	0403-000510 DIODE-ZENER;MTZJ6.2B,6.2V,5.96-6.27V,500
...	..3	DZ07	0403-000510 DIODE-ZENER;MTZJ6.2B,6.2V,5.96-6.27V,500

Loc. No.	Code No.	Description ; Specification	Remark
...	...3	DZ08	0403-000510 DIODE-ZENER;MTZJ6.2B,6.2V,5.96-6.27V,500
...	...3	DZ09	0403-000508 DIODE-ZENER;MTZJ5.6B,5.6V,5.45-5.73V,500
...	...3	DZ10	0403-000510 DIODE-ZENER;MTZJ6.2B,6.2V,5.96-6.27V,500
...	...3	DZ11	0403-000510 DIODE-ZENER;MTZJ6.2B,6.2V,5.96-6.27V,500
...	...3	DZ12	0403-000510 DIODE-ZENER;MTZJ6.2B,6.2V,5.96-6.27V,500
...	...3	DZ13	0403-000510 DIODE-ZENER;MTZJ6.2B,6.2V,5.96-6.27V,500
...	...3	DZ14	0403-000510 DIODE-ZENER;MTZJ6.2B,6.2V,5.96-6.27V,500
...	...3	EF01	2901-000297 FILTER-EMI ON BOARD;-3A,-,3.5x5,TP,
...	...3	EF02	2901-000297 FILTER-EMI ON BOARD;-3A,-,3.5x5,TP,
...	...3	EF03	2901-000297 FILTER-EMI ON BOARD;-3A,-,3.5x5,TP,
...	...3	EF04	2901-000297 FILTER-EMI ON BOARD;-3A,-,3.5x5,TP,
...	...3	EF05	2901-000297 FILTER-EMI ON BOARD;-3A,-,3.5x5,TP,
...	...3	EF06	2901-000297 FILTER-EMI ON BOARD;-3A,-,3.5x5,TP,
...	...3	EF07	2901-000297 FILTER-EMI ON BOARD;-3A,-,3.5x5,TP,
...	...3	EF08	2901-000297 FILTER-EMI ON BOARD;-3A,-,3.5x5,TP,
...	...3	EF09	2901-000297 FILTER-EMI ON BOARD;-3A,-,3.5x5,TP,
...	...3	EF10	2901-000297 FILTER-EMI ON BOARD;-3A,-,3.5x5,TP,
...	...3	EF11	2901-000297 FILTER-EMI ON BOARD;-3A,-,3.5x5,TP,
...	...3	EF12	2901-000297 FILTER-EMI ON BOARD;-3A,-,3.5x5,TP,
...	...3	EF13	2901-000297 FILTER-EMI ON BOARD;-3A,-,3.5x5,TP,
...	...3	L01	2701-000115 INDUCTOR-AXIAL;10uH,10%,3x7mm
...	...3	Q05	0501-000389 TR-SMALL SIGNAL;KSC815,NPN,400mW,TO-92,T
...	...3	R13	2001-000812 R-CARBON;5.6KOHM,5%,1/8W,AA,TP,1.8X3.2
...	...3	R14	2001-000812 R-CARBON;5.6KOHM,5%,1/8W,AA,TP,1.8X3.2
...	...3	R15	2001-000812 R-CARBON;5.6KOHM,5%,1/8W,AA,TP,1.8X3.2
...	...3	R16	2001-000812 R-CARBON;5.6KOHM,5%,1/8W,AA,TP,1.8X3.2
...	...3	R17	2001-000429 R-CARBON;1KOHM,5%,1/8W,AA,TP,1.8X3.2MM
...	...3	R18	2001-000429 R-CARBON;1KOHM,5%,1/8W,AA,TP,1.8X3.2MM
...	...3	R19	2001-000645 R-CARBON;330KOHM,5%,1/8W,AA,TP,1.8X3.2
...	...3	R20	2001-000645 R-CARBON;330KOHM,5%,1/8W,AA,TP,1.8X3.2
...	...3	R21	2001-000645 R-CARBON;330KOHM,5%,1/8W,AA,TP,1.8X3.2
...	...3	R22	2001-000645 R-CARBON;330KOHM,5%,1/8W,AA,TP,1.8X3.2
...	...3	R23	2001-000281 R-CARBON;100OHM,5%,1/8W,AA,TP,1.8X3.2M
...	...3	R24	2001-000281 R-CARBON;100OHM,5%,1/8W,AA,TP,1.8X3.2M
...	...3	R25	2001-000290 R-CARBON;10KOHM,5%,1/8W,AA,TP,1.8X3.2M
...	...3	R26	2001-000290 R-CARBON;10KOHM,5%,1/8W,AA,TP,1.8X3.2M
...	...3	R27	2001-000290 R-CARBON;10KOHM,5%,1/8W,AA,TP,1.8X3.2M
...	...3	R30	2001-000429 R-CARBON;1KOHM,5%,1/8W,AA,TP,1.8X3.2MM
...	...3	R31	2001-000429 R-CARBON;1KOHM,5%,1/8W,AA,TP,1.8X3.2MM
...	...3	R32	2001-000734 R-CARBON;4.7KOHM,5%,1/8W,AA,TP,1.8X3.2
...	...3	R33	2001-000734 R-CARBON;4.7KOHM,5%,1/8W,AA,TP,1.8X3.2
...	...3	R34	2003-002171 R-METAL OXIDE(S);150ohm,5%,2W,AG,TP,3.9x
...	...3	R35	2001-000281 R-CARBON;100OHM,5%,1/8W,AA,TP,1.8X3.2M
...	...3	R36	2001-000734 R-CARBON;4.7KOHM,5%,1/8W,AA,TP,1.8X3.2
...	...3	R37	2001-000302 R-CARBON;100HM,5%,1/8W,AA,TP,1.8X3.2MM
...	...3	R38	2001-000302 R-CARBON;100HM,5%,1/8W,AA,TP,1.8X3.2MM
...	...3	R40	2001-000605 R-CARBON;3.6KOHM,5%,1/8W,AA,TP,1.8X3.2
...	...3	R41	2001-000429 R-CARBON;1KOHM,5%,1/8W,AA,TP,1.8X3.2MM
...	...3	R42	2001-000281 R-CARBON;100OHM,5%,1/8W,AA,TP,1.8X3.2M
...	..2	3301-001305	CORE-FERRITE;AE,30X15X34(39)MM,1500,2800
...	..2	0202-000187	SOLDER-WIRE FLUX;-RS60S,D1.2,63Sn/37Pb
...	..2	3301-001201	CORE-FERRITE;AE,21x11x32mm,1500,280G

### ASSY CRT-(R)

△	1	*	AA94-05413A	ASSY CRT-(R);P16LSG03RJA,+380MG,7,HCL471
..2	BC+AL	AA60-10011A	SCREW-TAPTITE;-SWRCH18A,M4,L12,HH,+PC,	
..2		AA61-00809B	HOLDER-CRT;PROJ,PC/ABS GF 20%,BLK	
..2		AA61-00806B	CASE-COUPLER,R;PROJ,ALDC,T8,BLK	
..2		AA61-00056B	BRACKET-LENS;PROJECTION,SECC,T1.6,-,-,-	
..2		AA60-00127B	SPACER-LENS;PROJ,SILICONE,D/GRAY	
..2		AA91-00722A	ASSY-BRKT,CRT;SECC T1.6,PROJ	
..3		AA61-00473B	BRACKET-CRT;53,SECC,T1.6,-,-,-,-	
..3		AA61-00615B	BRACKET-EARTH;54J8,PBS,TO.5,-,-,-,-	
..3		AA61-00812A	SPRING-WIRE;PROJ,STS,3.6	
..2		AA67-10008A	LENS;-DELTA,RED,PJT,-,77,79,-	
..2		AA67-00147A	LENS-ASSY;DELTA 78,CLEAR A/B	
..2		AA63-00076A	SPACER-LENS;PROJECTION,FELT,-,-,-,BROWN	
..2		AA61-00810B	HOLDER-CAP;PROJ,PC,CLR	
..2		AA27-00151A	DEFLECTION YOKE;-CDY-PT0702(X),PRT,P16L	
..2		AA03-00200A	CRT MONO;P16LSG03RJA,-,7inch,-,-,-,FLA	
..2		AA60-00126B	SPACER-CAP;PROJ,EPDM,BLK	
..2		AA60-00125B	SPACER-CRT;PROJ,SILICONE,D/GRAY	
..2		AA60-00074A	SPACER-DY;PJT,SILICON RUBBER,-,-,-,GRAY	

Loc. No.	Code No.	Description ; Specification	Remark
.2	AA39-00018A	LEAD CONNECTOR-ASSY,;1P,YFH800-01,YRH187	
.2	AA33-00008A	MAGNET CONVERGENCE;JH92LTU-36A,7inchPRT,	
<b>ASSY CRT-(G)</b>			
△ 1 *	AA94-05414A	ASSY CRT-(G);P16LSG03BMB,+380MG,7,HCL471	
.2 BC+AL	AA60-10011A	SCREW-TAPTITE;-SWRCH18A,M4,L12,HH,+,PC,	
.2	AA61-00056B	BRACKET-LENS;PROJECTION,SECC,T1.6,-,-,-,	
.2	AA61-00807B	CASE-COUPLER,G;PROJ,ALDC,T8,BLK	S.N.A
.2	AA61-00809B	HOLDER-CRT;PROJ,PC/ABS GF 20%.BLK	S.N.A
.2	AA61-00810B	HOLDER-CAP;PROJ,PC,CLR	S.N.A
.2	AA63-00076A	SPACER-LENS;PROJECTION,FELT,-,-,-,BROWN	
.2	AA67-00147A	LENS-ASSY,;DELTA 78,CLEAR A/B	
.2	AA67-10071A	LENS;DELTA 77 79,-,GREEN,C ELEMENT	
.2	AA91-00722A	ASSY-BRKT,CRT,;SECC T1.6,PROJ	
...3	AA61-00473B	BRACKET-CRT;53,SECC,T1.6,-,-,-,-	
...3	AA61-00615B	BRACKET-EARTH;54J8,PBS,TO.5,-,-,-,-	
...3	AA61-00812A	SPRING-WIRE;PROJ,STS,3.6	S.N.A
.2	AA60-00127B	SPACER-LENS;PROJ,SILICONE,D/GRAY	S.N.A
.2	AA03-00201A	CRT MONO;P16LSG03HKA,-,7inch,-,-,-,FLA	
.2	AA27-00151A	DEFLECTION YOKE,-,CDY-PT0702(X),PRT,P16L	
.2	AA39-00018A	LEAD CONNECTOR-ASSY,;1P,YFH800-01,YRH187	
.2	AA60-00074A	SPACER-DY;PJT,SILICON RUBBER,-,-,-,GRAY	S.N.A
.2	AA60-00125B	SPACER-CRT;PROJ,SILICONE,D/GRAY	S.N.A
.2	AA60-00126B	SPACER-CAP;PROJ,EPDM,BLK	S.N.A

**ASSY CRT-(B)**

△ 1 *	AA94-05415A	ASSY CRT-(B);P16LSG03BMB,+380MG,7,HCL471	
.2 BC+AL	AA60-10011A	SCREW-TAPTITE;-SWRCH18A,M4,L12,HH,+,PC,	
.2	AA61-00809B	HOLDER-CRT;PROJ,PC/ABS GF 20%.BLK	S.N.A
.2	AA61-00808B	CASE-COUPLER,B;PROJ,ALDC,T8,BLK	S.N.A
.2	AA61-00056B	BRACKET-LENS;PROJECTION,SECC,T1.6,-,-,-,	
.2	AA60-00127B	SPACER-LENS;PROJ,SILICONE,D/GRAY	S.N.A
.2	AA91-00722A	ASSY-BRKT,CRT,;SECC T1.6,PROJ	
...3	AA61-00473B	BRACKET-CRT;53,SECC,T1.6,-,-,-,-	
...3	AA61-00615B	BRACKET-EARTH;54J8,PBS,TO.5,-,-,-,-	
...3	AA61-00812A	SPRING-WIRE;PROJ,STS,3.6	S.N.A
.2	AA67-10007A	LENS,-,DELTA,CLEAR,PJT,-,77,79,-	
.2	AA67-00147A	LENS-ASSY,;DELTA 78,CLEAR A/B	
.2	AA63-00076A	SPACER-LENS;PROJECTION,FELT,-,-,-,BROWN	
.2	AA61-00810B	HOLDER-CAP;PROJ,PC,CLR	S.N.A
.2	AA27-00151A	DEFLECTION YOKE,-,CDY-PT0702(X),PRT,P16L	
.2	AA60-00126B	SPACER-CAP;PROJ,EPDM,BLK	S.N.A
.2	AA60-00125B	SPACER-CRT;PROJ,SILICONE,D/GRAY	S.N.A
.2	AA60-00074A	SPACER-DY;PJT,SILICON RUBBER,-,-,-,GRAY	S.N.A
.2	AA39-00018A	LEAD CONNECTOR-ASSY,;1P,YFH800-01,YRH187	
.2	AA33-00008A	MAGNET CONVERGENCE;JH92LTU-36A,7inchPRT,	

**ASSY-PCB,SENSOR**

1 *	AA95-01031A	ASSY-PCB,SENSOR,;PCL545R,P54A	
.2 CN01	3711-002642	CONNECTOR-HEADER;BOX,3P,1R,2.5mm,STRAIGH	
.2 D01	0603-001067	PHOTO DIODE;-10V,560nm,BK	
.2 PCB	AA41-00433A	PCB-SENSOR;PCL545R,CEM-1,1L,A,1.6T,245X2	S.N.A
.2	0202-000187	SOLDER-WIRE FLUX;-RS60S,D1.2,63Sn/37Pb	
.2	AA99-20090G	ASSY-PCB SUB,AUTO; AA95-01031A ,V	S.N.A
...3 Q01	0501-000389	TR-SMALL SIGNAL;KSC815,NPN,400mW,TO-92,T	
...3 R01	2001-000739	R-CARBON;4.7MOHM,5%,1/8W,AA,TP,1.8X3.2	
...3 R02	2001-000739	R-CARBON;4.7MOHM,5%,1/8W,AA,TP,1.8X3.2	
...3 R03	2001-000454	R-CARBON;2.2MOHM,5%,1/8W,AA,TP,1.8X3.2	

**ASSY-CABINET,WOOD**

1 *	AA91-00836A	ASSY-CABINET,WOOD,;WOOD,47W1	
-----	-------------	------------------------------	--

Loc. No.	Code No.	Description ; Specification	Remark
.2 BF+CW	AA60-10051B	SCREW-WOOD;-SWRCH18A,M3.5,L11,RH,+,+,-,-	S.N.A
.2 CAS+CW	AA60-10051A	SCREW-WOOD;-SWRCH18A,M4,L16,PH,+,+,-,-,ZP	S.N.A
.2 HCM+W0	AA60-10051A	SCREW-WOOD;-SWRCH18A,M4,L16,PH,+,+,-,-,ZP	S.N.A
.2 HCW+CW	AA60-10051A	SCREW-WOOD;-SWRCH18A,M4,L16,PH,+,+,-,-,ZP	S.N.A
.2 HW+CW	AA60-10051B	SCREW-WOOD;-SWRCH18A,M3.5,L11,RH,+,+,-,-	S.N.A
.2 SPK+CW	AA60-10051A	SCREW-WOOD;-SWRCH18A,M4,L16,PH,+,+,-,-,ZP	S.N.A
.2	AA61-00507B	HOLDER-CABINET,WOOD;43,54,62J8,ABS,-,-,-	S.N.A
.2	AA61-00508C	HOLDER-JERSEY;54,62J9,ABS HB,-,-,-,BLK,H	S.N.A
.2	AA61-00533B	BRACKET-GRILLE;43,54,62J8,SECC-1 ,TO.5,-	S.N.A
.2	AA61-00788H	HOLDER-SCREEN,L;47W3,ABS HB,L632,BLK,SEP	S.N.A
.2	AA61-10247A	BRACKET-FOCUS;S46DS,SECC,T1.0,-,-,-,-	
.2	AA64-02308A	CABINET-WOOD;47W1,WOOD	
.2	AA65-00014C	CLAMP-WIRE;54J9,SINGLE NYLON,-,-,BLK,-	S.N.A
.2	AA98-00049B	ASSY-LEAD,CON,-,LEAD-CON,CORE,AA39-20505	
.2	3301-001201	CORE-FERRITE;AE,21x11x32mm,1500,280G	
.2	AA63-00347B	COVER-DUCT;43J8,HIPS,-,-,-,HB,BLK,-	
.2	AA61-00789E	HOLDER-SCREEN,TB;47W3,ABS HB,L1042,BLK	S.N.A
.2	AA61-00790B	HOLDER-MASK;W3,ABS HB,BLK,1042	S.N.A
.2	AA61-00792B	HOLDER-SENSOR;W3,PC VIOLET	
.2	AA61-00857B	BRACKET-NUT,INSERT;W3,M3 ZN	
.2	AA61-00864A	HOLDER-PCB;W3,HIPS,VO,BLK	S.N.A
.2	AA60-00077A	SPACER-DUAL,LOCK;54J8,#250,-,-,-,-,-,-,-,4	
.2	AA39-00220A	LEAD CONNECTOR ASSY,;12P,67096-012,67096	
.2	AA39-00086A	LEAD CONNECTOR-ASSY,;2.2UF,REC,REC,200MM	
.2	3301-001201	CORE-FERRITE;AE,21x11x32mm,1500,280G	
.2	3001-001134	SPEAKER;30W,8ohm,93dB,60Hz	
.2	3001-001107	SPEAKER;20W,8ohm,95dB,1300Hz	
.2	AA61-00506B	HOLDER-CRT,MAIN;43,54,62J8,HIPS,-,-,-,BL	
.2	AA61-00458B	CASTER;-TP4020-05 PLY,-,OH56,-,-,SR	
.2	AA61-00097A	HOLDER-WIRE;-NYLON 6/6,-,-,-,NTR,-	S.N.A
.2	AA61-00094C	HOLDER-RAIL;PCJ533R,ABS,-,-,-,BLK,HB,480	S.N.A
.2	AA60-10050Y	SCREW-WOOD;-SWRCH18A,M4,L40,HH,+,+,-,-,ZP	S.N.A
.2	AA60-00078C	SPACER-DUAL,LOCK;W3,#250,19*30	
.2	AA60-00078A	SPACER-DUAL,LOCK;54J8,#250,-,-,-,-,-,-,-,4	S.N.A

**ASSY CABINET**

1 *	AA90-01028A	ASSY CABINET;47W1,HCL4715WX/XAA	
.2 AC+BCM	AA60-10011A	SCREW-TAPTITE;-SWRCH18A,M4,L12,HH,+,PC,	
.2 APCAFB	6002-000522	SCREW-TAPPING;TH,+,2,M4,L15,ZPC(BLK),SWR	
.2 BCM	AA63-60131M	SPACER-FELT;PJT,FELT,BLK,T1.0,120*55	
.2 BCM+CW	6006-001094	SCREW-ASS'Y WOOD;WWW,HH,+,M7,L32,ZPC(YEL)	S.N.A
.2 BF+FP	6003-001023	SCREW-TAPTITE;RVWH,+,B,M3,L10,ZPC(YEL),SW	S.N.A
.2 BM+CBT	6003-001026	SCREW-TAPTITE;RH,+,B,M4,L15,ZPC(BLK),SWR	
.2 CBB+AP	6003-001019	SCREW-TAPTITE;RH,+,B,M4,L12,ZPC(BLK),SWR	
.2 CBB+CW	6005-001003	SCREW-WOOD;HH,+,M4,L19,ZPC(BLK),SWRCH18A.S.N.A	
.2 CBS+CW	6005-001003	SCREW-WOOD;HH,+,M4,L19,ZPC(BLK),SWRCH18A.S.N.A	
.2 CBT+CW	6005-001003	SCREW-WOOD;HH,+,M4,L19,ZPC(BLK),SWRCH18A.S.N.A	
.2 CFB+CW	6005-001003	SCREW-WOOD;HH,+,M4,L19,ZPC(BLK),SWRCH18A.S.N.A	
.2 CW/TOP	AA63-60131A	SPACER-FELT;SVP403J,FELT,-,-,-,BLK,TO.5,	
.2 HC+CW	6005-001003	SCREW-WOOD;HH,+,M4,L19,ZPC(BLK),SWRCH18A.S.N.A	
.2 HS+CW	6001-000137	SCREW-MACHINE;BH,+,M3,L8,ZPC(YEL),SM20C,	
.2 HV+BCM	AA60-10011A	SCREW-TAPTITE;-SWRCH18A,M4,L12,HH,+,PC,	
.2	AA67-00181A	MIRROR-BACK;47W3,GLASS,861*677*421,T3.0	
.2	AA67-00136A	SUN SCREEN-AG;47W,T=82%,1072*614*2,G=110	
.2	AA67-00119B	SCREEN-FRESNEL;47W,T2,1072*614	
.2	AA67-00119A	SCREEN-LENTI;47W,TO.72,1070*612,TINT=10%	
.2	AA65-30008A	CLAMP-CORD;-PE,HB,-,BLK,-	
.2	AA64-60449B	INLAY-COVER;SP-434JMF,PS,TO.5,149.3X69.5	
.2	AA91-00751A	ASSY-BRACKER,MIRROR,;47W3	
...3	AA60-00073G	SPACER-FELT;PJT,FELT,T1.0,800*7	S.N.A
...3	AA61-00783B	BRACKET-MIRROR;47W3,SECC,T1.0	S.N.A
.2	AA73-00008A	RUBBER-SHEET;47W3,MBR,18*50,T2.0	
.2	AA73-00006A	RUBBER-CAP;FLAT,SILICONE RUBBER,WHHT,50	
.2	AA64-60421C	INLAY-COVER;-PS,TO.3,-,-,BLK,SEA	
.2	AA61-00788K	HOLDER-SCREEN,R;47W3,ABS HB,L632,480,160	S.N.A
.2	AA61-00618B	GUIDE-FLOW;54J8,J7,ABS,-,-,-,BLK,HB	S.N.A
.2	AA61-00475B	BRACKET-CRT,MAIN;54,SECC,T1.6,-,-,-,-	
.2	AA61-00356B	HOLDER-TUNER,F;JACK;501F,ABS,-,-,-,BLK,H	
.2	AA60-00135A	SPACER-MIRROR,FIBER;47W3,ANT-300G,L180,T	S.N.A
.2	AA60-00123B	SPACER-COVER,DUST;W3,PS SHEET,TO.35	S.N.A
.2	AA26-00101A	TRANS FBT;FWZ50A001E,-,-,-,-,-,-,-,-,-	
.2	AA64-02175B	CABINET-BACK,BOT;47W1,47H1,HIPS,VO,BLK	S.N.A
.2	AA64-02074B	INLAY-SPEAKER;J7,J8,J9,PS SHEET,TO.5,-,-	

Loc. No.	Code No.	Description ; Specification	Remark	Loc. No.	Code No.	Description ; Specification	Remark
..2	AA64-02061B	CABINET-BACK, TOP; 47W3, HIPS HB, BLK, DO					
..2	AA64-01395L	INLAY-TERMINAL; J9, PS SHEET, T0.5, -, -, BLK,					
..2	AA64-01385C	CABINET-BACK, SIDE; 545R, 625R(SEA), HIPS, -,					
..2	AA61-20285A	HOLDER-BOX; 3456, PP, -, -, WHT, VO					
		<b>ASSY CABINET MASK</b>					
1 *	AA91-00838A	ASSY CABINET MASK, HB, GRAY, DG-703P SEA, 4		△ 1 *	AA96-00156D	ASSY POWER CORD; -, EP2/YES(US), H/C 200MM,	
..2	AA64-02118E	CABINET-FRONT, MASK(L); 47W1, ABS HB, GRAY, D		..2	AA61-20284A	HOLDER; P-CORD, PP, -, -, BLK, VO, KE-002	
..2	AA64-02119D	CABINET-FRONT, MASK(B); 47W1, ABS HB, GRAY, D		..2	AA39-10007Y	POWER-CORD; -, EP2/YES, SPT-2 18AWGx2C, 2.4m	
..3	AA64-02119A	CABINET-FRONT, MASK, BOT; 47W3, ABS HB, GRAY,		..2	3811-000401	WIRE-PVC CU; BCWA, 300V, ROLL, 17/0.16mm, #22	
..2	AA64-02245A	BADGE BRAND; 47W3, AL FORGING, L70, SS DG703 S, N.A		..2	3301-001201	CORE-FERRITE; AE, 21x11x32mm, 1500, 280G	
..2	AA64-02118D	CABINET-FRONT, MASK(R); 47W1, ABS HB, GRAY, D					
..2	AA64-02077D	CABINET-FRONT, MASK, TOP; 47W1, ABS HB, GRAY,		1 *	AA94-05549A	ASSY ACCESSORY; HCL4715WX/XAA, P54A,	
..3	AA64-02077A	CABINET-FRONT, MASK, TOP; 65W3, ABS HB, GRAY, S, N.A		..2	AA68-01509B	MANUAL USERS; HCL4715W, ENG, W/P100(G), 2(1)	
..2	AA63-00380A	COVER-CORNER; PJT, POLYESTER, -, -, CLR, #		..2	AA68-01399A	MANUAL-GUIDE; SEA, ENG, W/P 200(G), 1, 216X1	
..2	AA63-00063A	SPACER-DUAL, LOCK; SVP-614J, #400, -, -, -		..2	AA61-20126A	HOLDER-LEG; ABS, -, -, BLK, HB	
		<b>ASSY CHASSIS PART</b>		..2	AA39-00006A	CABLE-RCA; 3000MM	
1 *	AA90-01029A	ASSY CHASSIS PART; P54A SEA, 47W1					
..2 PM+HC	6003-001023	SCREW-TAPTITE; RWH, +, B, M3, L10, ZPC(YEL), SW	S, N.A	1 *	AA59-00176A	REMOCON; -, TM63, SHARK, 51, L/GRAY, DO, -, -	
..2 PP+HC	6003-001023	SCREW-TAPTITE; RWH, +, B, M3, L10, ZPC(YEL), SW	S, N.A	..2	2802-000194	RESONATOR-CERAMIC; 8MHz, 1.0%, TP8.5x4.5x5	
..2 PS+HC	6003-001023	SCREW-TAPTITE; RWH, +, B, M3, L10, ZPC(YEL), SW	S, N.A	..2	AA09-00051A	IC-MCU; Z86L8808SSC-R501M, SZTM-822, ST	
..2	AA61-00504B	HOLDER-CHASSIS; 43, 54, 62J8, ABS, -, -, GRAY					
		<b>ASSY-FRONT, BOT</b>					
1 *	AA91-00837A	ASSY-FRONT, BOT; VO G4309, HIPS, 47W1(HCL47					
..2	AA60-00077A	SPACER-DUAL, LOCK; 54J8, #250, -, -, -, -, 4					
..2	AA60-00079C	SPACER-JERSEY; 47W1, JERSEY, GRAY, SP868B					
..2	AA61-20129A	HOLDER-WIRE; -, NYLON-66, -, -, NTR, DAFC-25					
..2	AA64-02171B	CABINET-FRONT, BOT; 47W1, HIPS, VO, G4309	S, N.A				

**ASSY POWER CORD****ASSY ACCESSORY****REMOCON**

**7-10 HC473WX/XAA (HC473WX/XAA and HCL4715WX/XAA Dissimilar parts)**

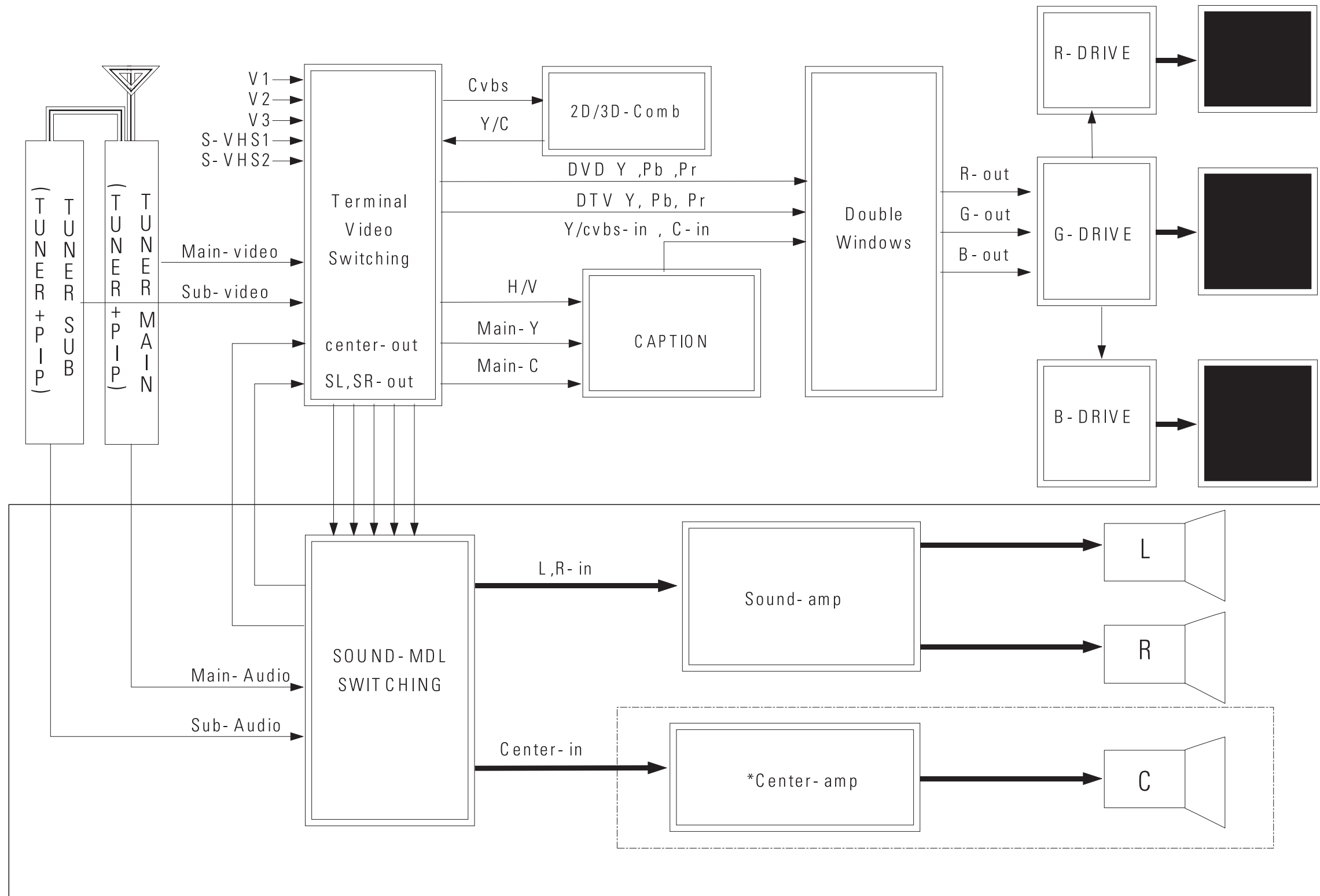
Loc. No.	Code No.	Description ; Specification	Remark	Loc. No.	Code No.	Description ; Specification	Remark
<b>ASSY CABINET</b>				<b>ASSY-CABINET,WOOD</b>			
1	AA90-00958D	ASSY CABINET;47W3,HCL473WX/XAA		1	AA91-00759B	ASSY-CABINET,WOOD;WOOD MIJU,47W3	
2 BOX	0203-001096	TAPE-CELLULOSE;#301,TO.06,W75,L400,WHT		2	0201-001030	ADHESIVE-SIL;SE9178,GRY,NON-FLOW,UL94V0	
2	0203-001160	TAPE-FILAMENT;SCOTCH#8915,TO.16,W48,L55M,TRP		2	3001-001107	SPEAKER;20W,8ohm,95dB,1300Hz	
2 ACCERY	0203-001269	TAPE-OPP MASKING;SCOTCH#8915,TO.16,W48,L55M,TRP		2	3001-001134	SPEAKER;30W,8ohm,93dB,60Hz	
2 SCREEN	0203-001279	TAPE-OPP MASKING;#232,TO.14,W15,L50000,YEL		2	3301-001201	CORE-FERRITE;AE,21x11x32mm,1500,280G	
2	6001-000137	SCREW-MACHINE;BH,+,M3,L8,ZPC(YEL),SM20C,-		2	AA39-00086A	LEAD CONNECTOR-ASSY; .2,2UF,REC,REC,200MM,1007#22	
2 CBB+APT	6003-001019	SCREW-TAPTITE;RH,+,B,M4,L12,ZPC(BLK),SWRCH18		2	AA39-00272A	LEAD CONNECTOR ASSY; .UL2547#26,UL/CSA,12P,#26,67096-012, 67096-003(4),BK,2500/1500MM,2547#26	
2 PCB+CFB	6003-001023	SCREW-TAPTITE;RWH,+,B,M3,L10,ZPC(YEL),SWRCH1		2	AA60-00078B	SPACER-DUAL,LOCK;W3,#250,19*40	
2 BM+CBT	6003-001026	SCREW-TAPTITE;RH,+,B,M4,L15,ZPC(BLK),SWRCH18		2 B-FRAME	AA60-10051A	SCREW-WOOD; -,SWRCH18A,M4,L16,PH,+,-,ZPC(BLK),PRJT	
2 CBB+CW	6005-001003	SCREW-WOOD;HH,+,M4,L19,ZPC(BLK),SWRCH18A		2 BF+CW	AA60-10051A	SCREW-WOOD; -,SWRCH18A,M4,L16,PH,+,-,ZPC(BLK),PRJT	
2 CBB+CW	6005-001003	SCREW-WOOD;HH,+,M4,L19,ZPC(BLK),SWRCH18A		2 CAS+CW	AA60-10051A	SCREW-WOOD; -,SWRCH18A,M4,L16,PH,+,-,ZPC(BLK),PRJT	
2 CBT+CW	6005-001003	SCREW-WOOD;HH,+,M4,L19,ZPC(BLK),SWRCH18A		2 HCM+WOOD	AA60-10051A	SCREW-WOOD; -,SWRCH18A,M4,L16,PH,+,-,ZPC(BLK),PRJT	
2 HC+CW	6005-001003	SCREW-WOOD;HH,+,M4,L19,ZPC(BLK),SWRCH18A		2 HCW+CW	AA60-10051A	SCREW-WOOD; -,SWRCH18A,M4,L16,PH,+,-,ZPC(BLK),PRJT	
2 ASP+CW	6005-001004	SCREW-WOOD;HH,+,M4,L27,BLK,SWRCH18A		2 RAIL+RL	AA60-10051A	SCREW-WOOD; -,SWRCH18A,M4,L16,PH,+,-,ZPC(BLK),PRJT	
2 CFB+CW	6005-001005	SCREW-WOOD;HH,+,M4.0,L19,NI PLT,SWRCH18A		2 SPK+CW	AA60-10051A	SCREW-WOOD; -,SWRCH18A,M4,L16,PH,+,-,ZPC(BLK),PRJT	
2 BCM+CW	6006-001094	SCREW-ASSY WOOD; VW,HH,+,M7,L32,ZPC(YEL),SWRCH18A		2 HW+CW	AA60-10051B	SCREW-WOOD -,SWRCH18A,M3.5,L11,RH,+,-,ZPC(YEL),PRJT	
2	AA26-00101A	TRANS FBT;FWZ50A001E,-,-,-,-,-,-,-,-,-,-		2	AA61-00094C	HOLDER-RAIL;PCJ533R,ABS,-,-,-,BLK,HB,480	
2	AA60-00072B	SPACER-COVER,DUST; 43,54,62J9,SPONGE 94HF-1,-,-,-,-,-,-,-,-,-,-		2	AA61-00097A	HOLDER-WIRE;-NYLON 6/6,-,-,-,NTR,-	
2	AA60-00091N	SPACER-FELT;-FELT,70X10,-,-,BLK,T1.0,-,-		2	AA61-00458B	CASTER;-TP4020-05 PLY,-,OH56,-,-,SR44.4 T2	
2 CBT+MB	AA60-10011A	SCREW-TAPTITE; -,SWRCH18A,M4,L12,HH,+,-,PC,-,ZPC(BLK),SWRCH18A		2	AA61-00506B	HOLDER-CRT,MAIN;43,54,62J8,HIPS,BLK,HB,-,-	
2 AP+BCM	AA60-10011A	SCREW-TAPTITE; -,SWRCH18A,M4,L12,HH,+,-,PC,-,ZPC(BLK),SWRCH18A		2	AA61-00507B	HOLDER-CABINET,WOOD;43,54,62J8,ABS,-,-,-,BLK,HB	
2 BF+FP	AA60-10011A	SCREW-TAPTITE; -,SWRCH18A,M4,L12,HH,+,-,PC,-,ZPC(BLK),SWRCH18A		2	AA61-00508C	HOLDER-JERSEY;54,62J9,ABS HB,BLK,HB,L40	
2 HV+BCM	AA60-10011A	SCREW-TAPTITE; -,SWRCH18A,M4,L12,HH,+,-,PC,-,ZPC(BLK),SWRCH18A		2	AA61-00722A	HOLDER-PIN,DABO;PRJT,NYLON,OD6.5XL25,-,-,BLK,I	
2	AA60-40006A	PIN-STAPLE;-H18,33X17.8X2.4,-,AUTO		2	AA61-00788B	HOLDER-SCREEN,L;47W3,ABS HB,L632,BLK,SEPARATION	
2	AA61-00356B	HOLDER-TUNER,F/JACK;-501F,ABS,HB,BLK,-		2	AA61-00789B	HOLDER-SCREEN,TB;W3,ABS HB,BLK,1102	
2	AA61-00475B	BRACKET-CRT,MAIN;54,SECC,T1.6,-,-,-,-		2	AA61-00792B	HOLDER-SENSOR;W3,PC VIOLET	
2	AA61-00618B	GUIDE-FLOW;54J8,J7,ABS,-,-,-,BLK,HB		2	AA61-00795B	RAIL-DOOR,R;W3,ABS HB,BLK	
2	AA61-00788K	HOLDER-SCREEN,R; 47W3,ABS HB,L632,480,160,77.5,BLK,HOL,SEPARATION		2	AA61-00795C	RAIL-DOOR,L;W3,ABS HB,BLK	
2	AA61-20285A	HOLDER-BOX;-3456,PP,VO,WHT,-		2	AA61-00857B	BRACKET-NUT,INSERT;W3,M3 ZN	
2	AA63-00533A	SHEET;LDPE 1.0+HDPE 0.015,1000,WHT		2	AA61-00858B	BRACKET-FRAME;W3,SECC,T2.0	
2	AA63-10007C	BAND-PP;-,-,W18,-,CLEAR,1G		2	AA61-00864A	HOLDER-PCB;W3,HIPS,VO,BLK	
2 CW/TOP	AA63-60131A	SPACER-FELT;SVP403J,FELT,-,-,-,BLK,TO.5,-,80X70		2	AA61-00878B	HOLDER-SCREEN BOT;W3,ABS HB,L1082,BLK	
2 MIRSIDE	AA63-60131F	SPACER-FELT;PCJ612R,FELT,-,-,-,BLK,TO.5,-,280X50		2	AA61-10247A	BRACKET-FOCUS;S46DS,SECC,T1.0,-,-,-,-	
2 BCM	AA63-60131M	SPACER-FELT;PJT,FELT,BLK,T1.0,120*55		2	AA63-00348B	COVER-DUCT;54,62J8,HIPS,-,HB,BLK,-,-	
2	AA64-01384B	CABINET-BACK,BOT;43,54,62J8,-,HIPS,VO,BLK		2	AA64-02207B	CABINET-WOOD;47W3,WOOD,SEA	
2	AA64-01395G	INLAY-TERMINAL;J7,J8,PS SHEET,TO.5,-,-,BLK,P54A SEA		2	AA65-00014C	CLAMP-WIRE;54J9,SINGLE NYLON,-,-,BLK,-	
2	AA64-02061B	CABINET-BACK,TOP;47W3,HIPS HB,BLK,DO		2	AA91-00750A	ASSY-MAGNET,PUSH3;MAGNET,W3	
2	AA64-02065C	CABINET-BACK,SIDE;47.55W3,HIPS VO,BLK		2	AA98-00049B	ASSY-LEAD,CON;-LEAD-CON,CORE,AA39-20505P,-,-	
2	AA64-02074B	INLAY-SPEAKER;J7,J8,J9,PS SHEET,TO.5,-,-,-,P54A		3	3301-001201	CORE-FERRITE;AE,21x11x32mm,1500,280G	
2	AA64-60421C	INLAY-COVER;-PS,TO.3,-,-,BLK,SEA					
2	AA64-60449B	INLAY-COVER; SP-434JMF,PS,TO.5,149.3X69.5,-,-,BLK,EXPORT					
2	AA65-00016A	CLAMPER-CABLE;P,TV,NYLON,NTR,6/6					
2	AA65-30008A	CLAMP-CORD;-PE,HB,-,BLK,-					
2	AA67-00119A	SCREEN-LENTI;47W,TO.72,1070*612,TINT=10%					
2	AA67-00119B	SCREEN-FRESNEL;47W,T2,1072*614					
2	AA67-00136A	SUN SCREEN-AG;47W,T=82%,1072*614*2,G=110					
2	AA67-00165A	MIRROR-FRONT;47W3,GLASS ,861*677*421,FSM					
2 AP3145	AA68-50509A	LABEL-BOX;A/P 90(G),ALL MODEL,-,WHT,L250					
2	AA69-00305A	BAG AIR;ALL,LDPE,1000,500,CLR,					
2	AA69-00306A	BAG AIR;LDPE,-,1800,1000,CLR,ASSY,ALL,-					
2	AA69-00744L	BAG-SHEET ;-HDPE PE FOAM,TO.015,W1650,H1600,-,PRINT					
2	AA69-01227B	CUSHION SET;47W3,EPS C=0.02					
2	AA69-01298A	PACKING CASE-IN;47W3,CB H-3 AB,YEL,1207,692,350					
2	AA69-01299D	PACKING CASE-OUT;47W3,CB H-3 AB,YEL,MIJU					
2	AA73-00005B	RUBBER-CAP;FLAT,PRJ,SILICONE RUBBER,WHITE					
2	AA73-00008A	RUBBER-SHEET;47W3,MBR,18*50,T2.0					
2	AA91-00751A	ASSY-BRACKER,MIRROR;47W3					
3	AA60-00073G	SPACER-FELT;PJT,FELT,T1.0,800*7					
3	AA61-00783B	BRACKET-MIRROR;47W3,SECC,T1.0					

Loc. No.	Code No.	Description ; Specification	Remark	Loc. No.	Code No.	Description ; Specification	Remark
2	AA64-02205B	BADGE-DECORATION;W3,NI+AL FORGING+NI,RS 86*335					
		<b>ASSY CABINET MASK</b>				<b>ASSY-CENTER,SPK</b>	
1	AA91-00838B	ASSY CABINET MASK;,HB,GRAY,DG703P XAA,47W3		1	AA91-00766A	ASSY-CENTER,SPK;,W3	
2	BADGE	0201-000281 ADHESIVE-RBR;D-5250,YEL,6000CPS+-500		2	PCS+SPK	AA60-10051A SCREW-WOOD; -,SWRCH18A,M4,L16,PH,+,-,ZPC(BLK),PRJT	
2		0203-001290 TAPE-OPP MASKING;ANT 100C,TO.073,W30,L50M,TRP		2		AA61-00859A PLATE-CENTER,SPK;W3,WOOD	
2		AA63-00063A SPACER-DUAL,LOCK;SVP-614J,#400,-,-,-,-,-,19X19		2		AA96-10153A ASSY-SPEAKER;- ,8ohm,15w,001052,20609A,CEN40	
2		AA63-00380A COVER-CORNER;PJT,POLYESTER,-,-,CLR,#572 TO.088,-		3	C-SPK	3001-000151 SPEAKER;20W,8ohm,92dB,130Hz	
2		AA64-02077D CABINET-FRONT,MASK,TOP; 47W1,ABS HB,GRAY,DG-703P		3		AA39-20609A LEAD CONNECTOR-ASSY; ,2P,SMH250-02,REC,400MM,1007#22	
3		AA64-02077A CABINET-FRONT,MASK,TOP; 65W3,ABS HB,GRAY,APCHUL				<b>ASSY-JACK,SIDE</b>	
2		AA64-02118D CABINET-FRONT,MASK(R);47W1,ABS HB,GRAY,DG-703P		1		AA91-00762D ASSY-JACK,SIDE;,P54A PAL XAA,W3	
2		AA64-02118E CABINET-FRONT,MASK(L);47W1,ABS HB,GRAY,DG-703P		2		AA61-00793C HOLDER-JACK;W3,ABS HB,WHT,DG703P	
2		AA64-02119E CABINET-FRONT,MASK(B); 47W1,ABS HB,GRAY,DG703P XAA		2		AA64-02085D DOOR-AV;W3,ABS HB,BLK,DG703P	
3		AA64-02119A CABINET-FRONT,MASK,BOT; 47W3,ABS HB,GRAY,APCHUL		2		AA64-02086E INLAY-AV;W3,PS SHEET,TO.5,P54A DG703P	
2		AA64-02245A BADGE BRAND; 47W3,AL FORGING,L70,SS DG703P SILVER					
		<b>ASSY-DOOR,RACK</b>					
1		AA91-00757C ASSY-DOOR,RACK;,HB GRAY,?,W3					
2	AHD+DR	6003-001019 SCREW-TAPTITE;RH,+,B,M4,L12,ZPC(BLK),SWRCH18					
2	DR+BD	6003-001019 SCREW-TAPTITE;RH,+,B,M4,L12,ZPC(BLK),SWRCH18					
2		AA61-00782B BRACKET-MAGNET;W3,SPC,T2.0,FZW					
2		AA61-00856B BRACKET-DOOR;47W3,SECC,T1.0,BLK					
2		AA64-02066E DOOR-RACK;47.55.65W3,HIPS HB,GRAY,?					
2		AA64-02206C WINDOW-DOOR;W3,GLASS,T3.0,BR,?					
2		AA73-00007B RUBBER-CAP;W3,MBR,GRAY,60					
2		AA91-00749A ASSY-HINGE,DOOR(L);,NO-SPRING SECC T1.6,W3					
2		AA91-00758A ASSY-HINGE,DOOR(R);SPRING,SECC T1.6 W3,W3					
		<b>ASSY CHASSIS PART</b>					
1		AA90-00961B ASSY CHASSIS PART;J52A,P54A,47W3					
2	PM+HC	6003-001023 SCREW-TAPTITE;RWH,+,B,M3,L10,ZPC(YEL),SWRCH1					
2	PP+HC	6003-001023 SCREW-TAPTITE;RWH,+,B,M3,L10,ZPC(YEL),SWRCH1					
2	PS+HC	6003-001023 SCREW-TAPTITE;RWH,+,B,M3,L10,ZPC(YEL),SWRCH1					
2		AA61-00504B HOLDER-CHASSIS;43,54,62J8,ABS,GRAY,VO,-,-					

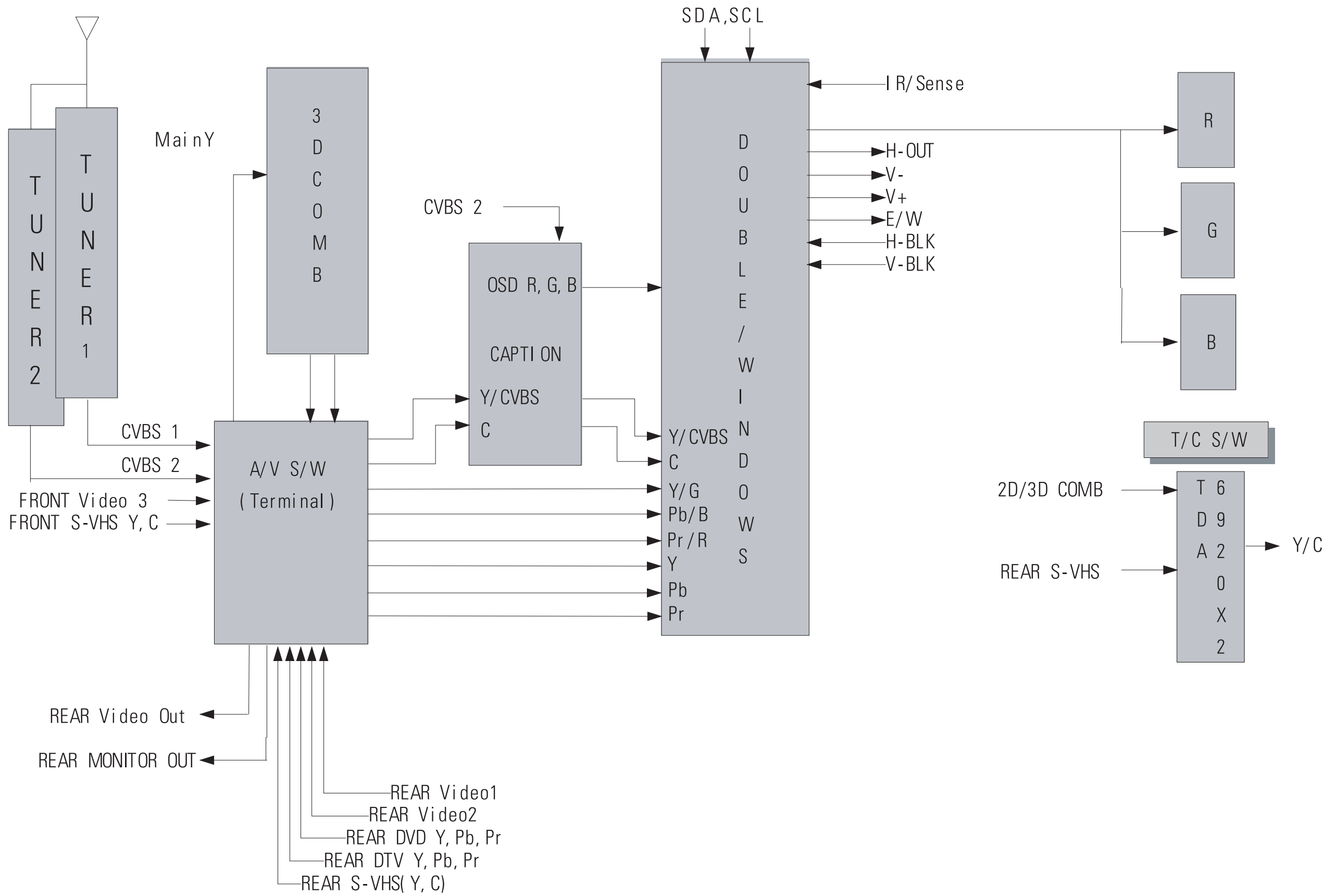
# MEMO

## 8. Block Diagram

### 8-1 Main Signal(Progressive)

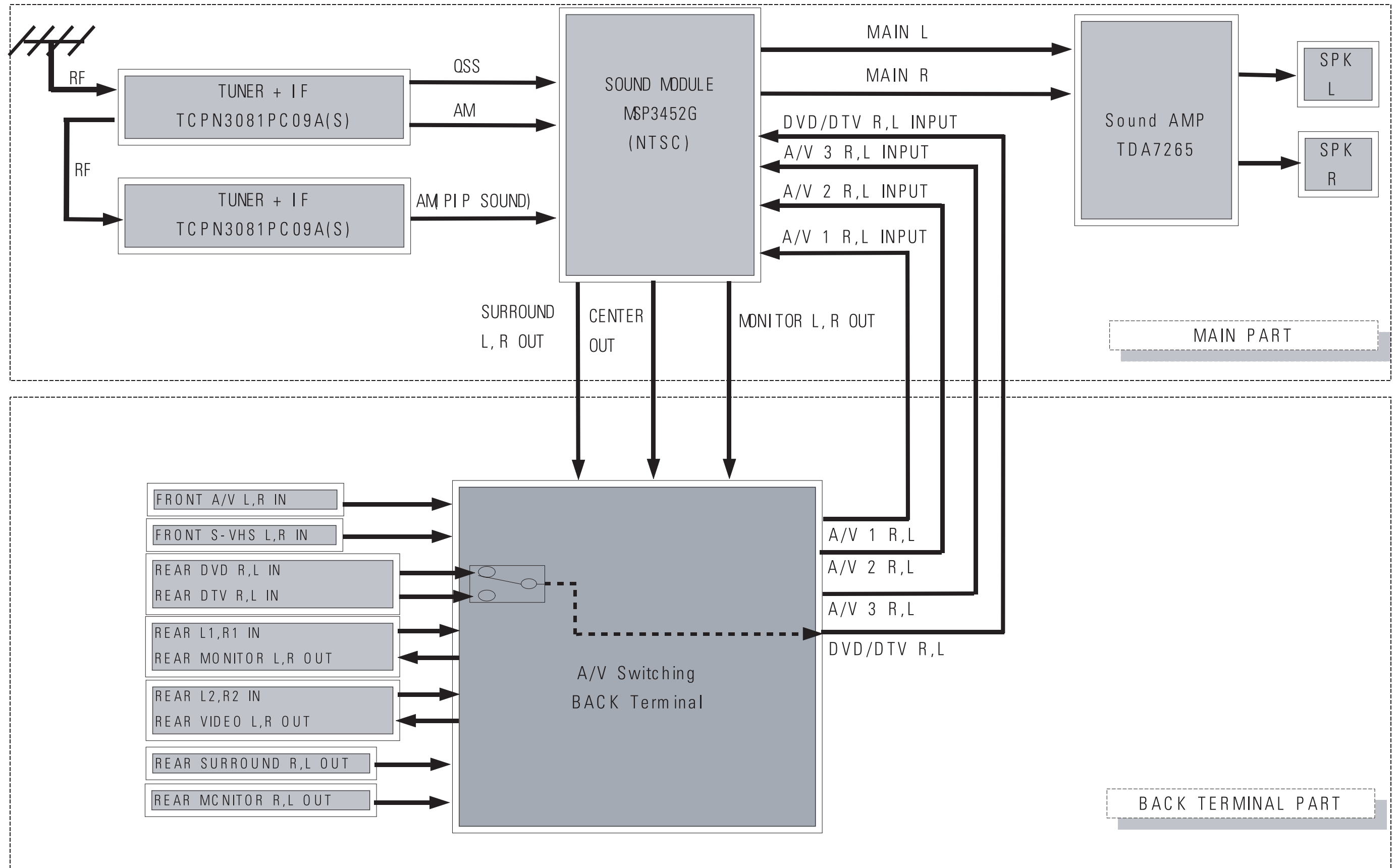


8-2 Video Signal

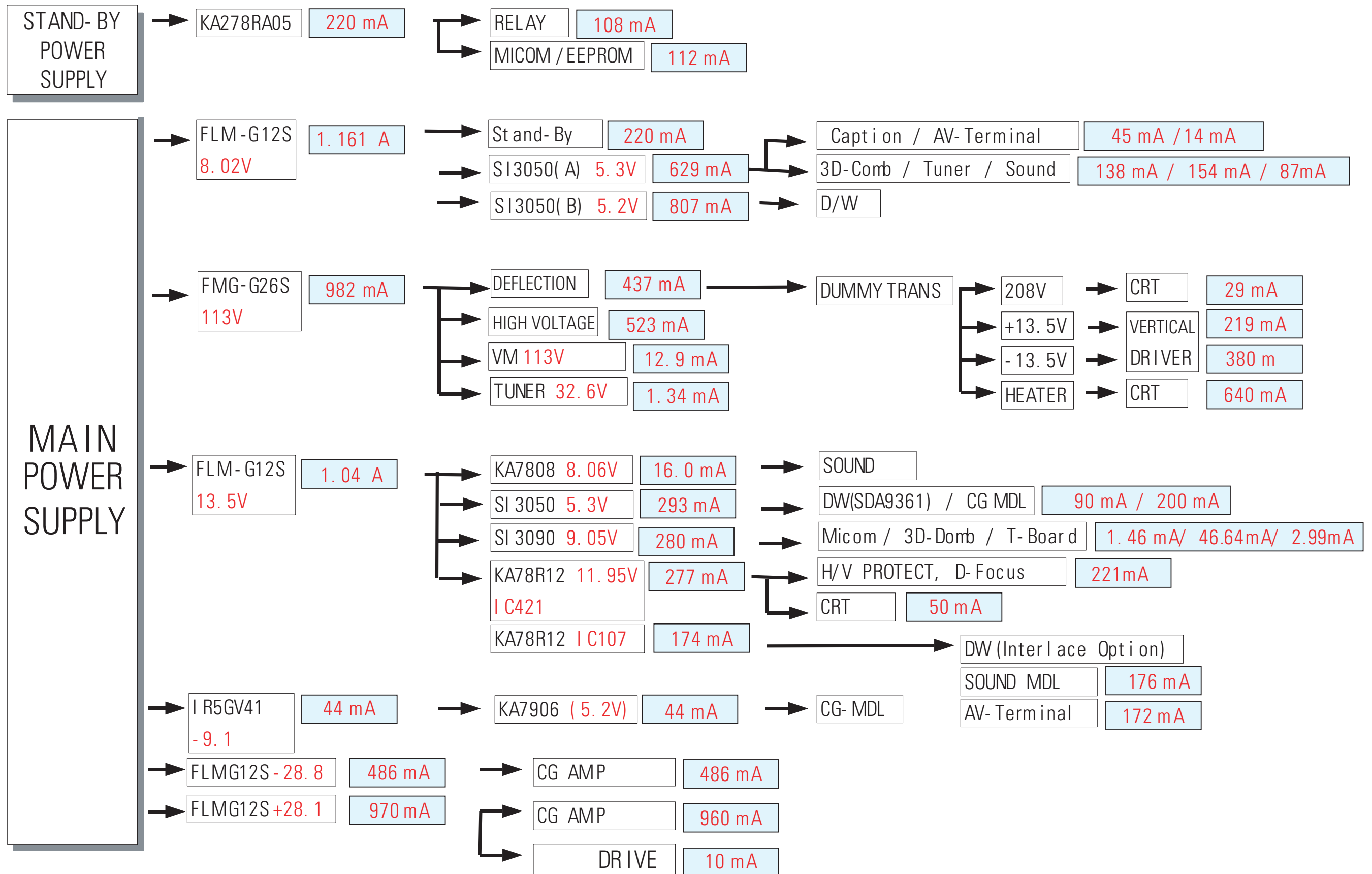




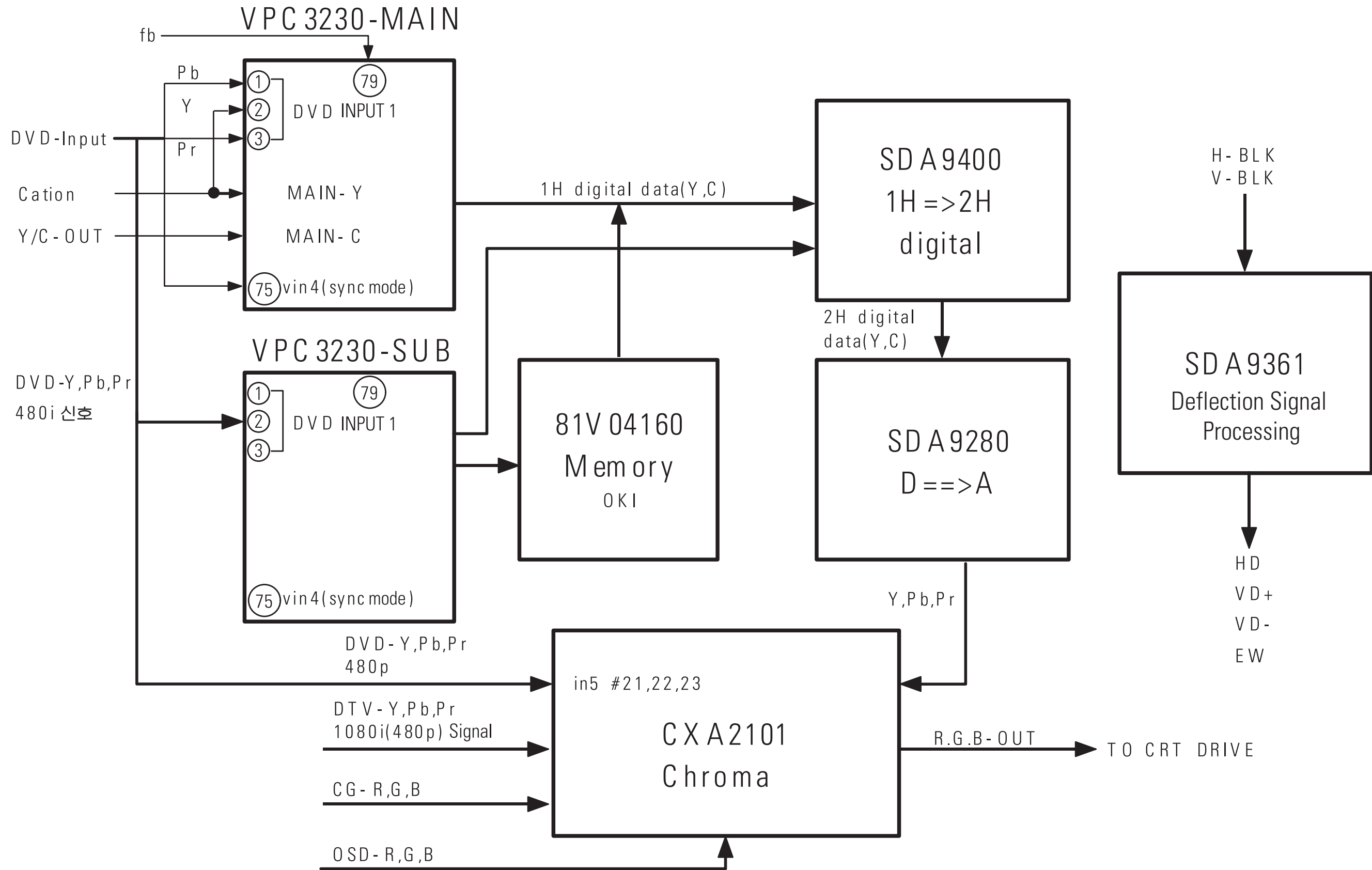
8-3 Sound Signal



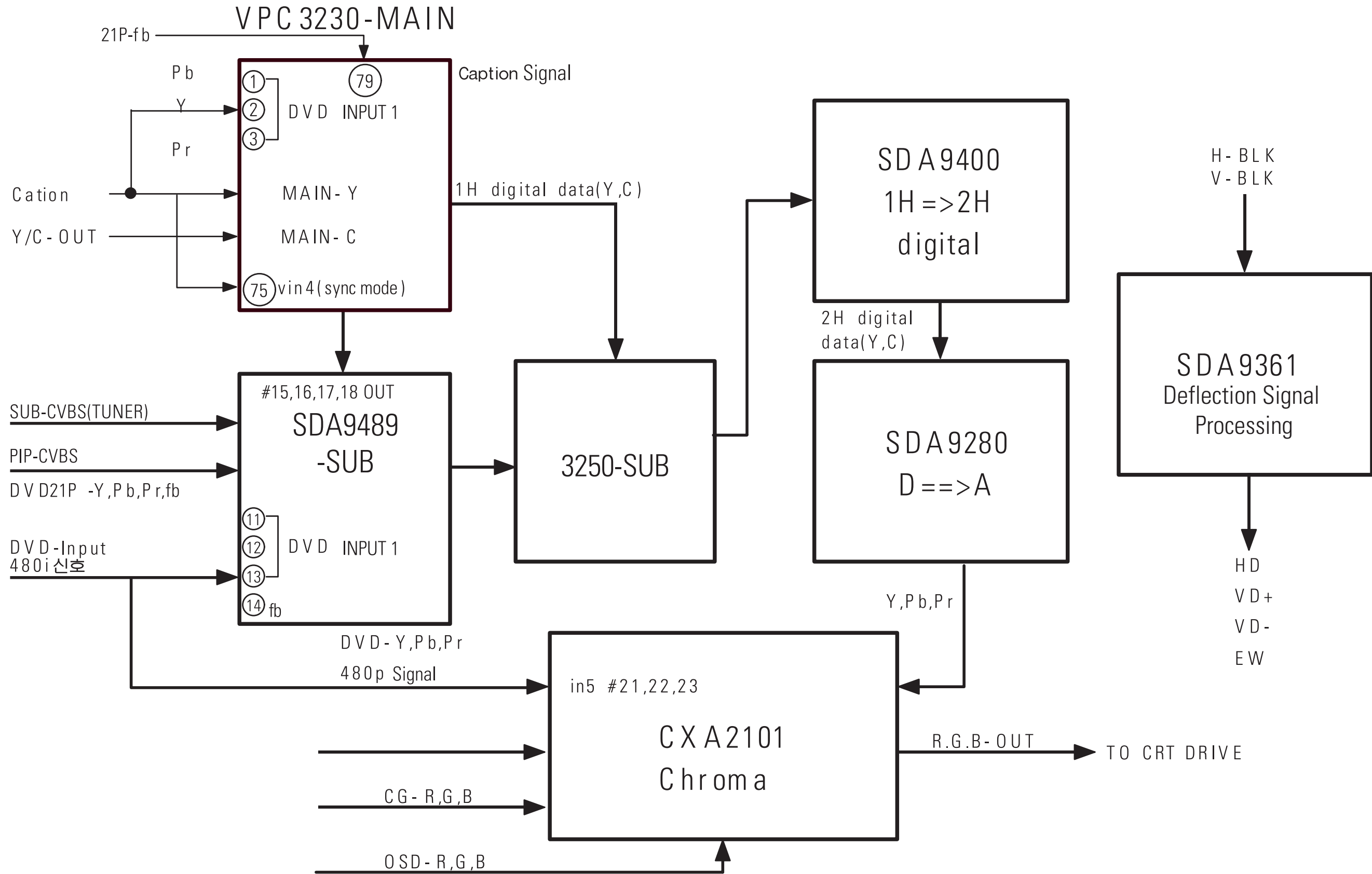
### 8-4 Power Supply



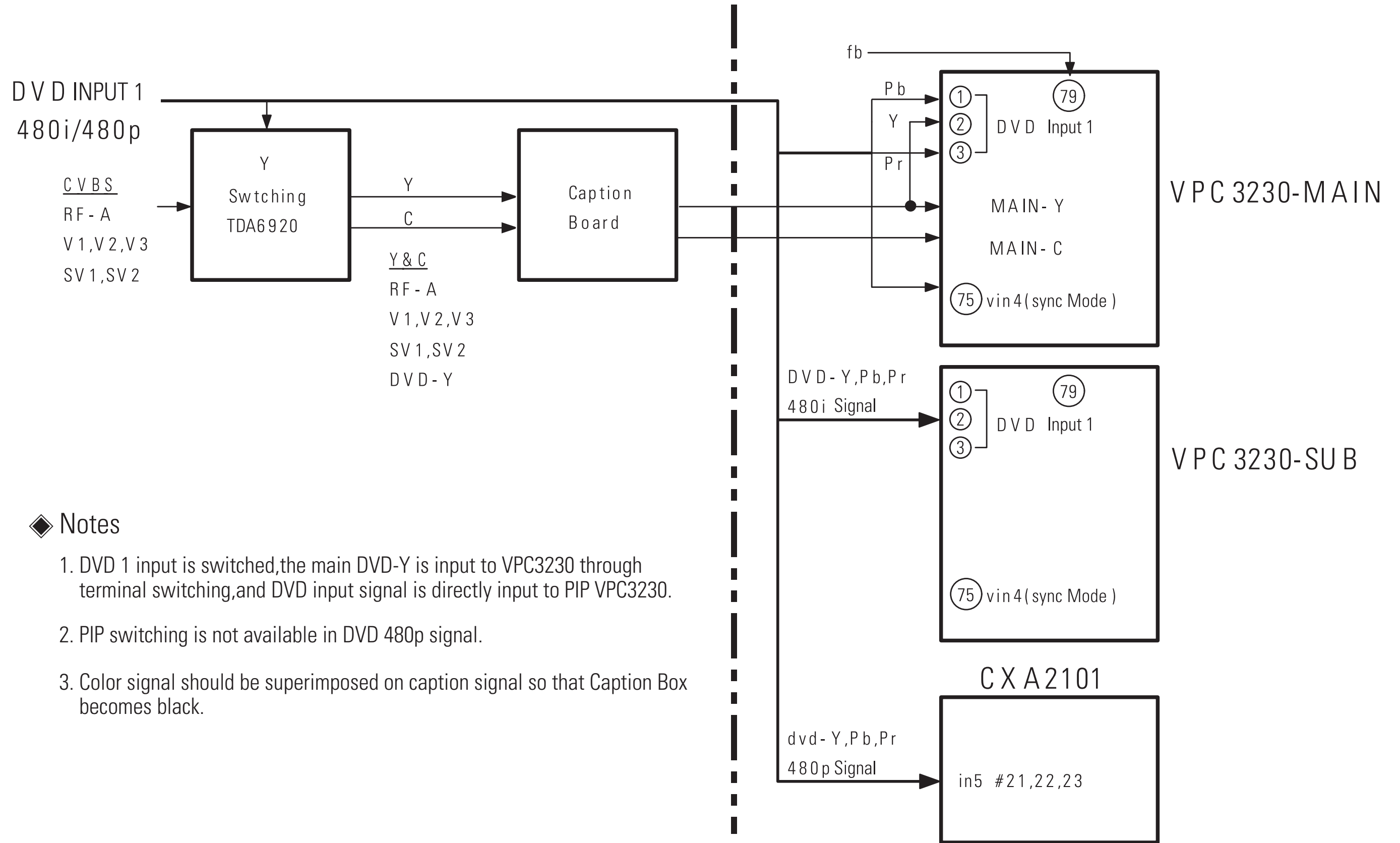
8-5 Double-Windows Block Diagram ( Applied IC : SDA3230 + SDA9400 )



8-6 Simple PIP (Applied IC : CIA3250 + SDA9400)



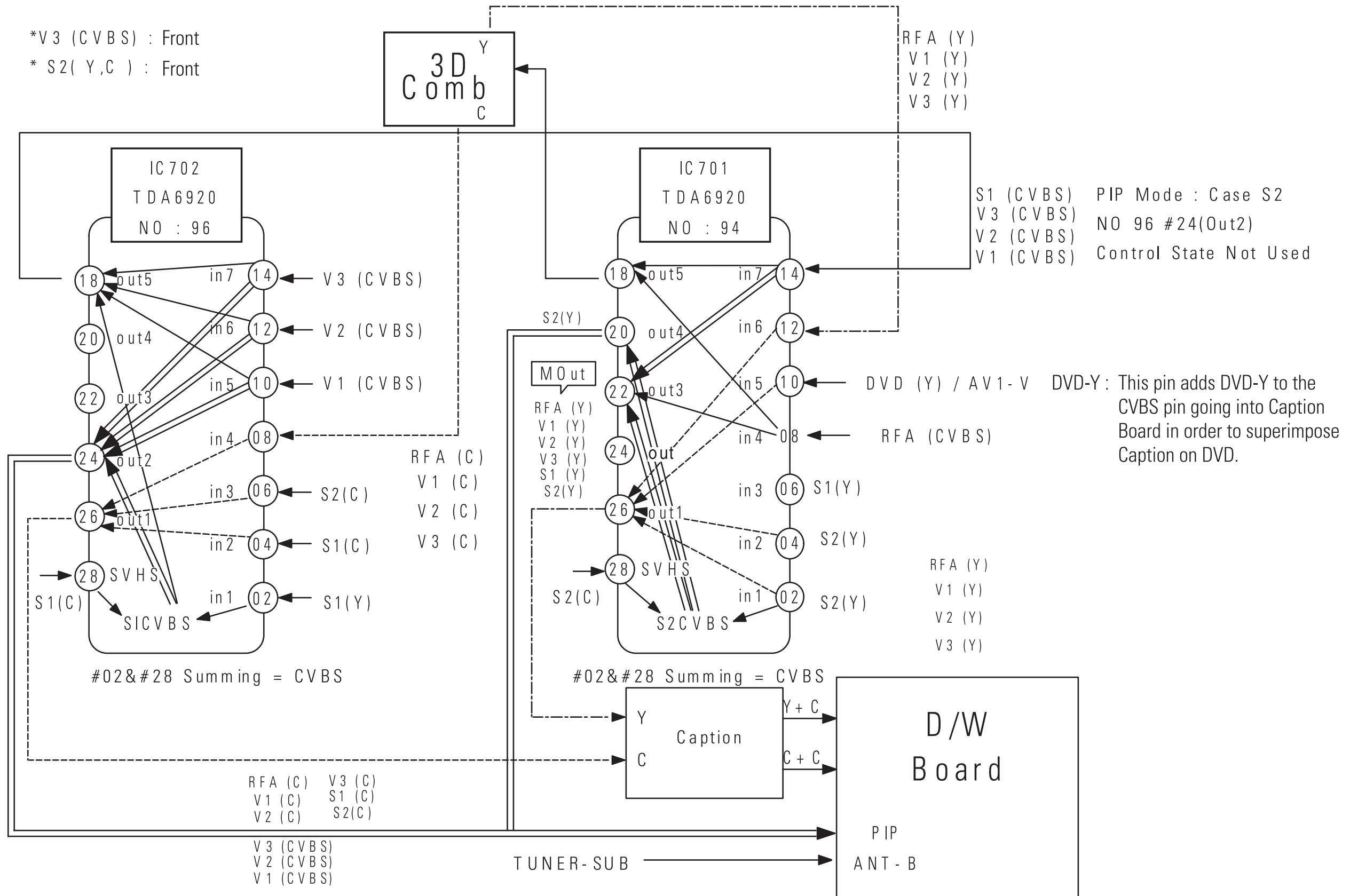
8-7 VPC 3230 RGB Input Change



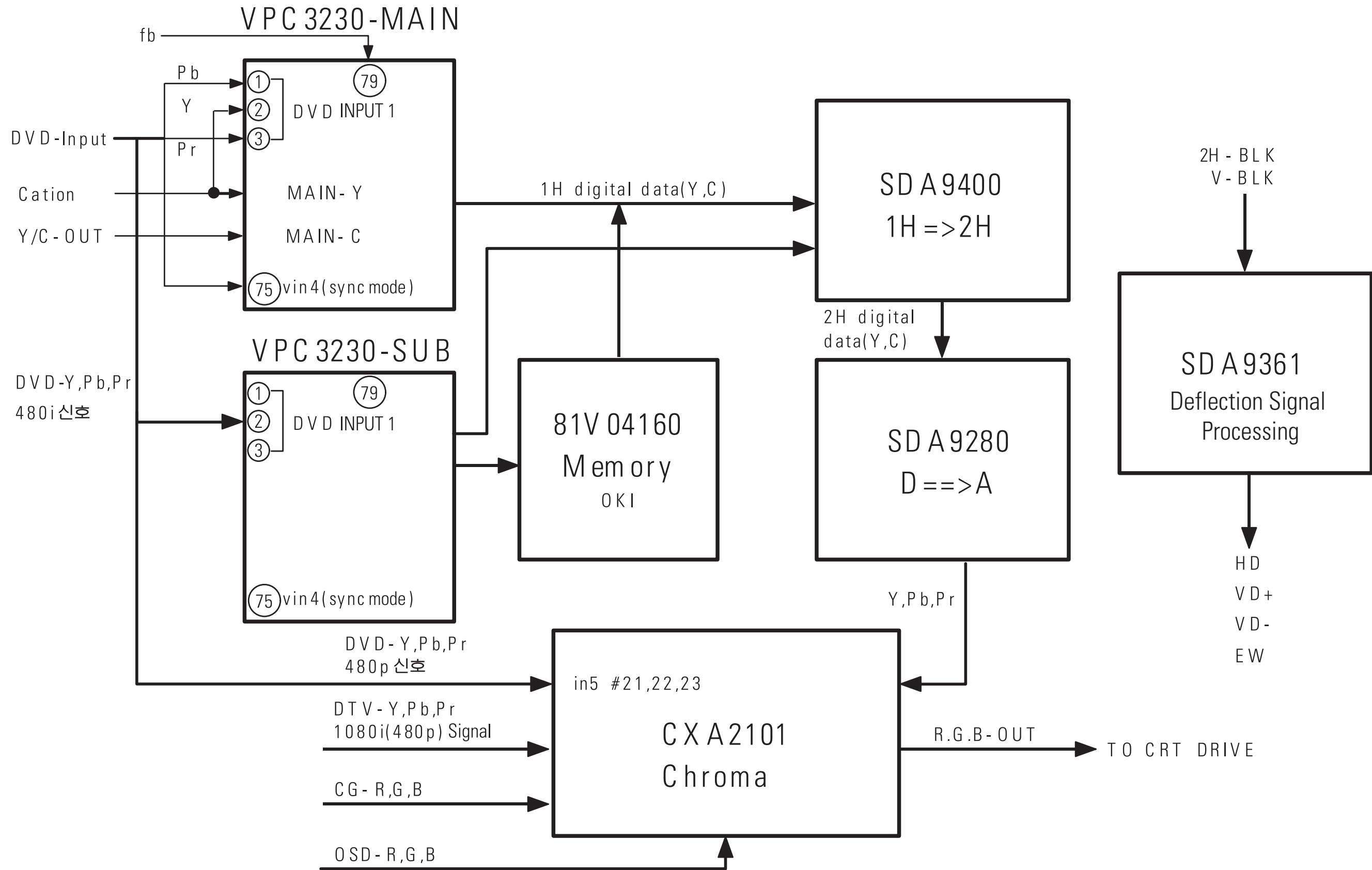
◆ Notes

1. DVD 1 input is switched, the main DVD-Y is input to VPC3230 through terminal switching, and DVD input signal is directly input to PIP VPC3230.
2. PIP switching is not available in DVD 480p signal.
3. Color signal should be superimposed on caption signal so that Caption Box becomes black.

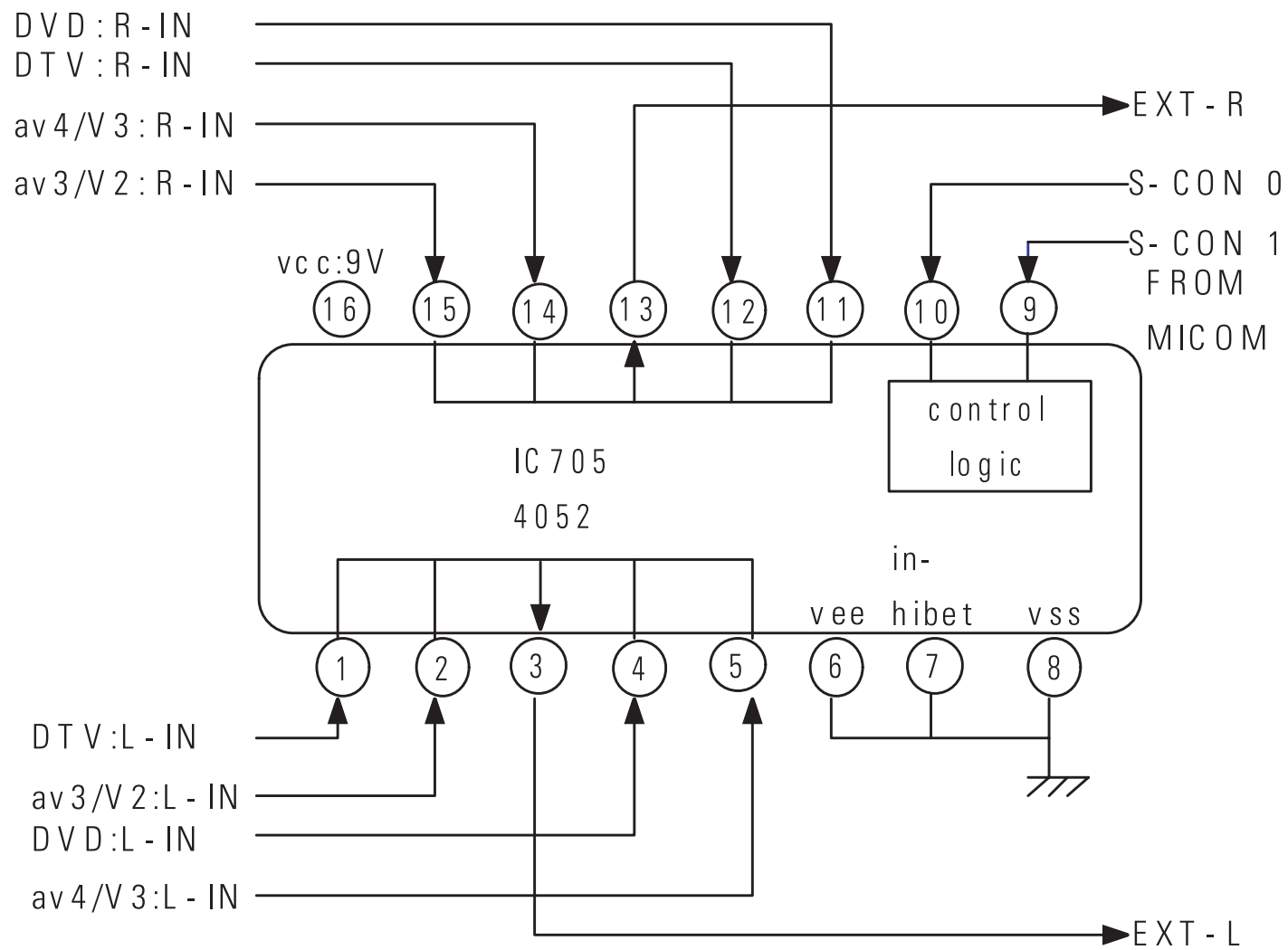
8-8 Video S/W Signal Change



8-9 D/W Block Diagram ( SDA9400 )



**8-10 Sound Switching Block Diagram 1**



◆ Signal Processing

The first Sound Switching is performed at IC706:4052 IC, the main micom is controlled by S-CON0/1, and then the second Sound Switching is performed at MSP3452 Sound IC.

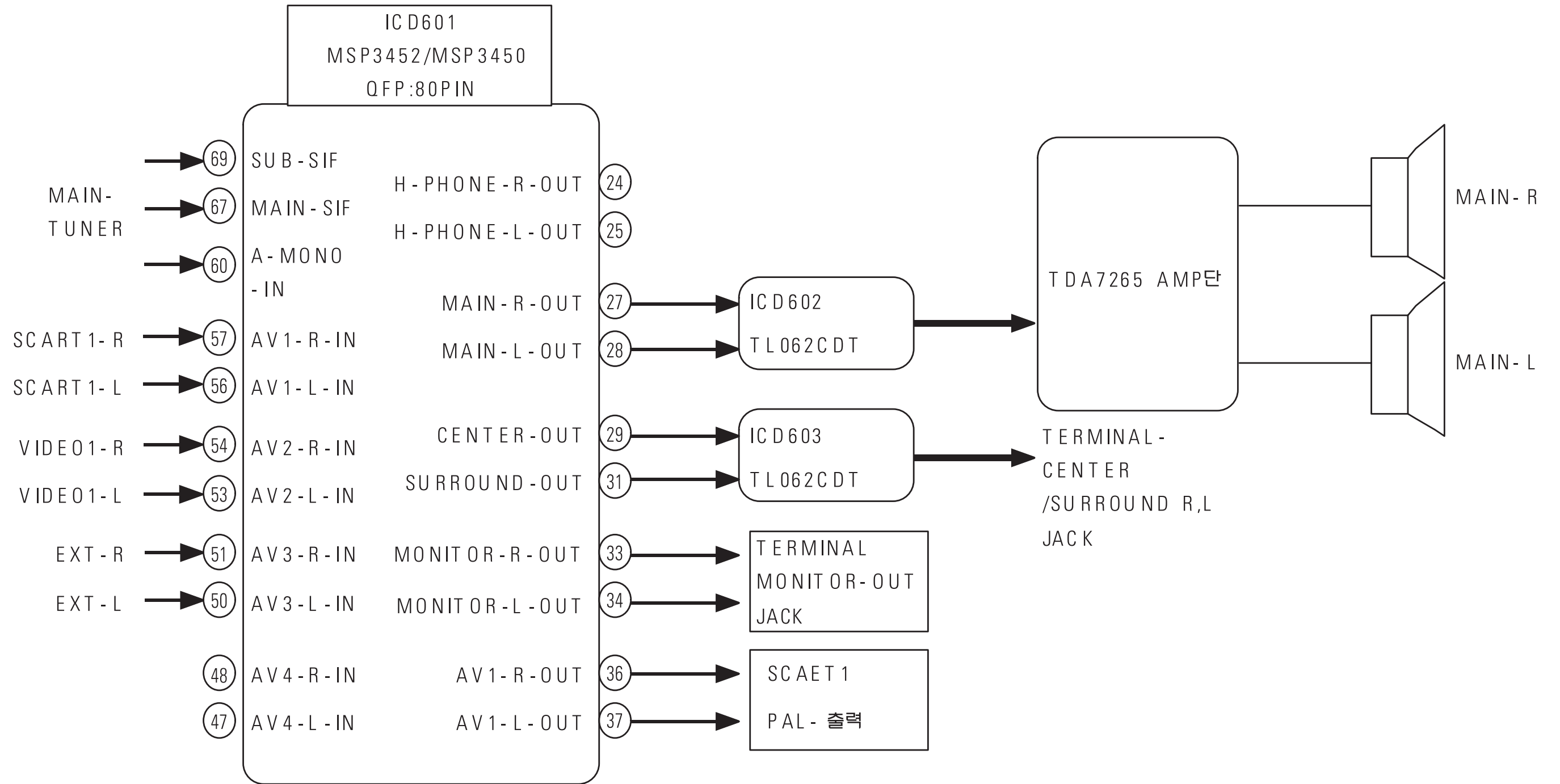
◆ Note : The S-Video 1 sound is output only when Video 1 Sound is connected.

- AV1 (SCART1) : PAL ONLY
- AV2 (VIDEO1) : NT / PAL
- AV3 (VIDEO2) : NT / PAL
- AV4 (VIDEO3) : NT / PAL

	S - CON 0	S - CON 1
DTV	0	0
AV 3 / VIDEO 2	0	1
AV 4 / VIDEO 3	1	0
DVD	1	1

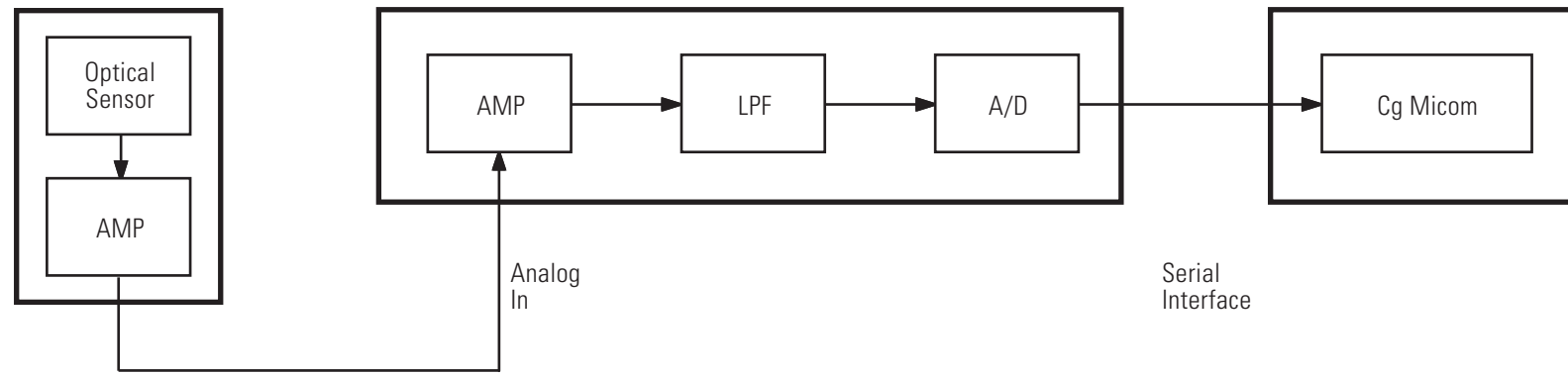


8-11 Sound Switching Block Diagram 2

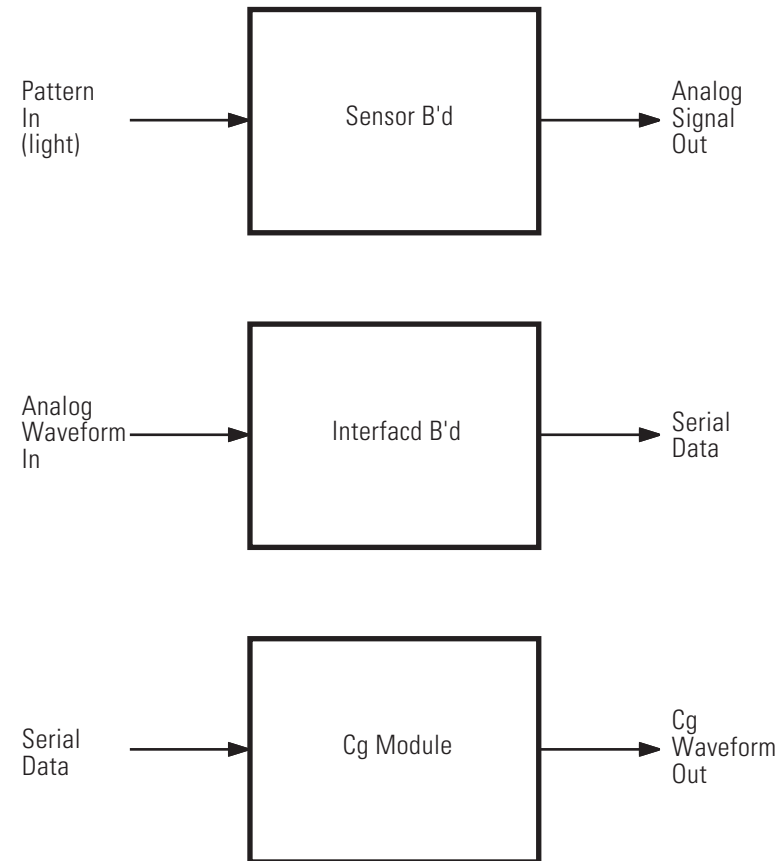


◆ MSP3452/3450 is a multifunctional IC, and so it can be used in both of NTSC/PAL system.  
 MSP3452 : Dolby function  
 MSP3450 : Simple Stereo, Sound Multiplex

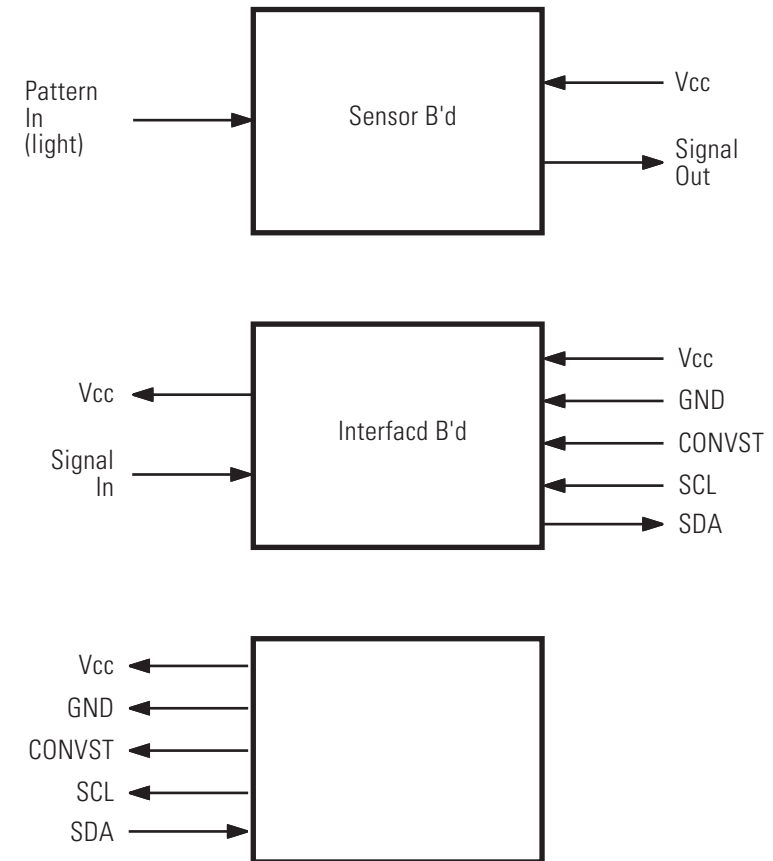
### 8-5 Auto Convergence Block



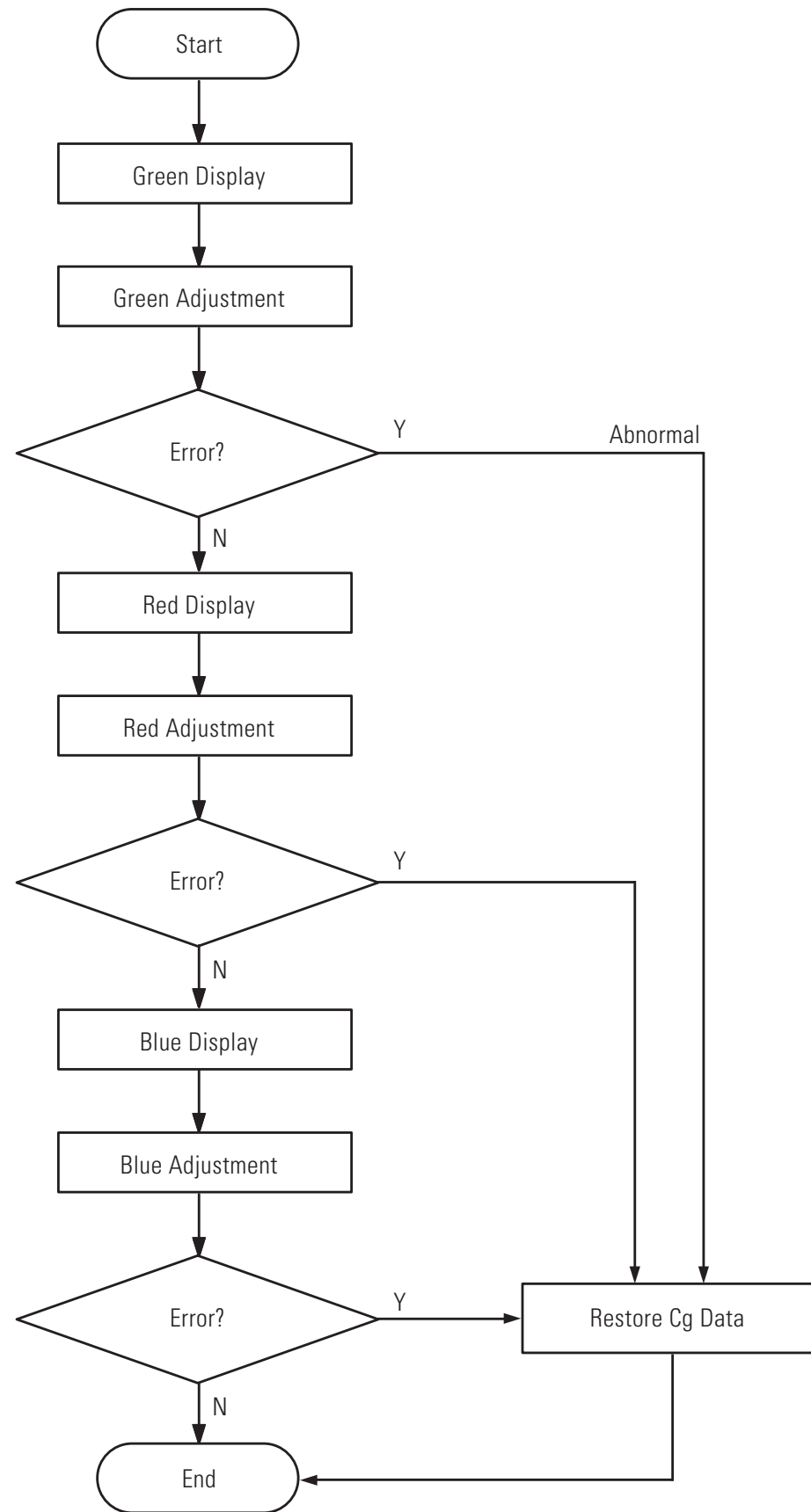
### 8-6 In/Out by Block



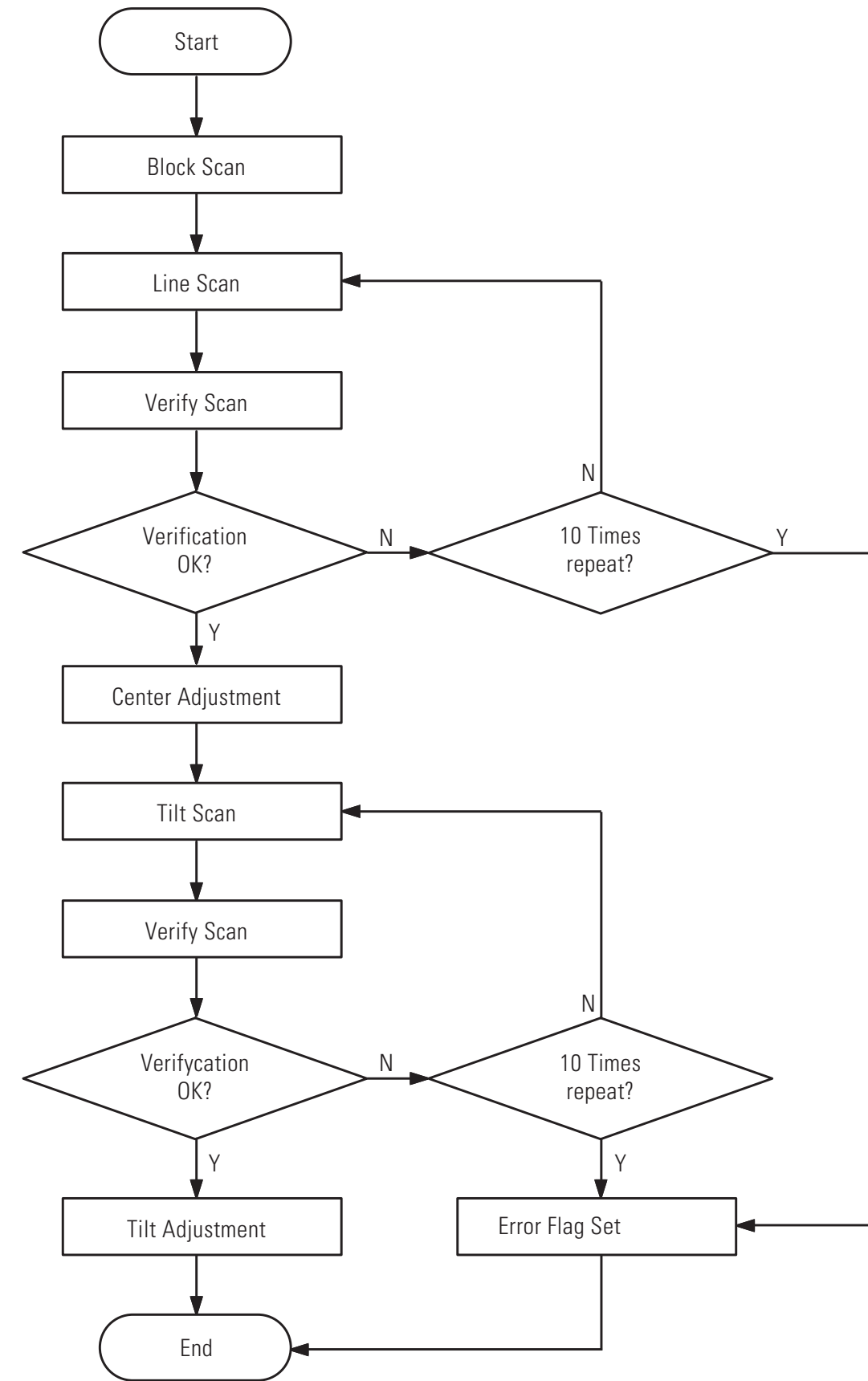
### 8-7 Signal Connection by Block



## 8-8 Auto Convergence Flow

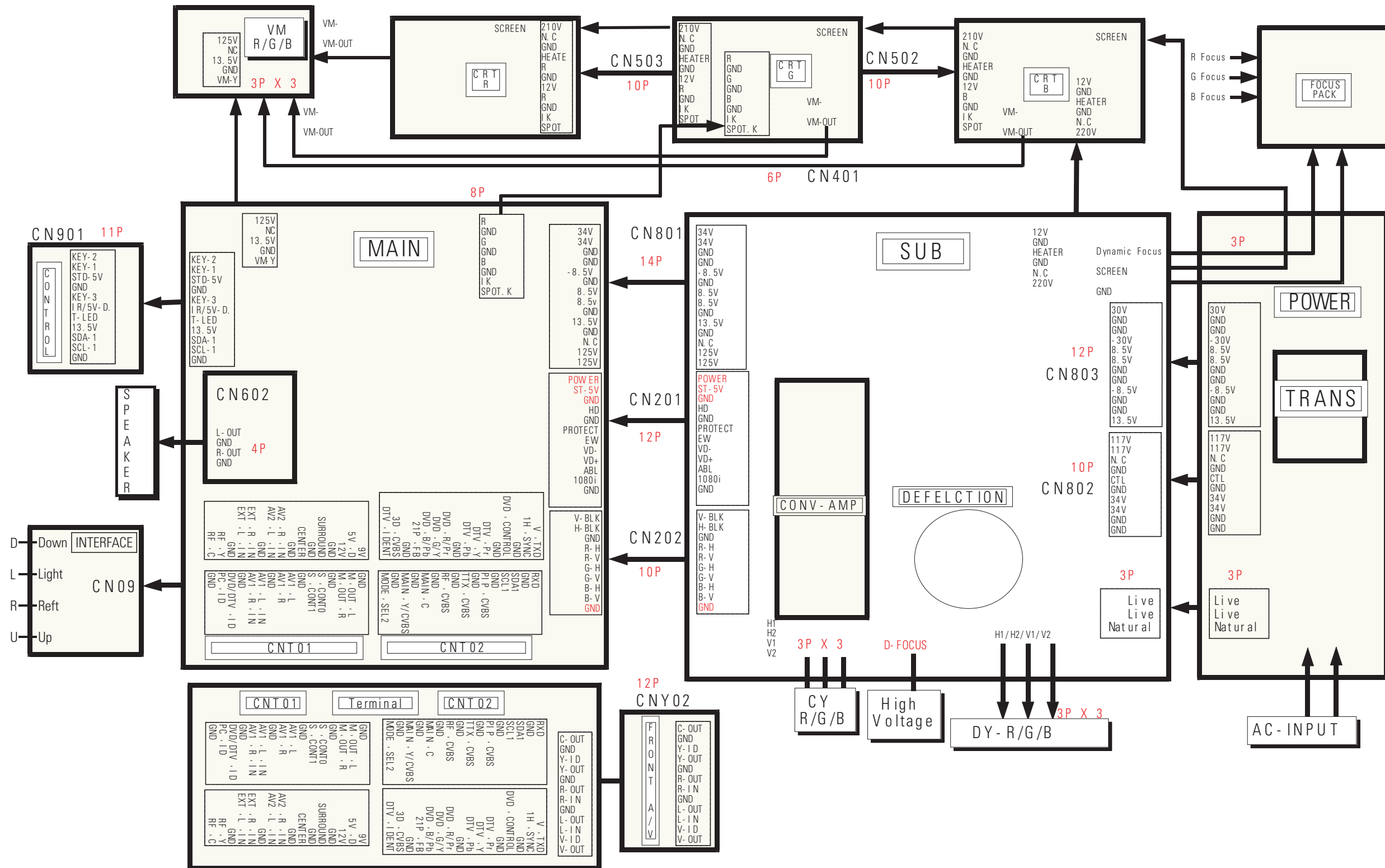


## 8-9 Auto Magnetic Field Adjustment Flow



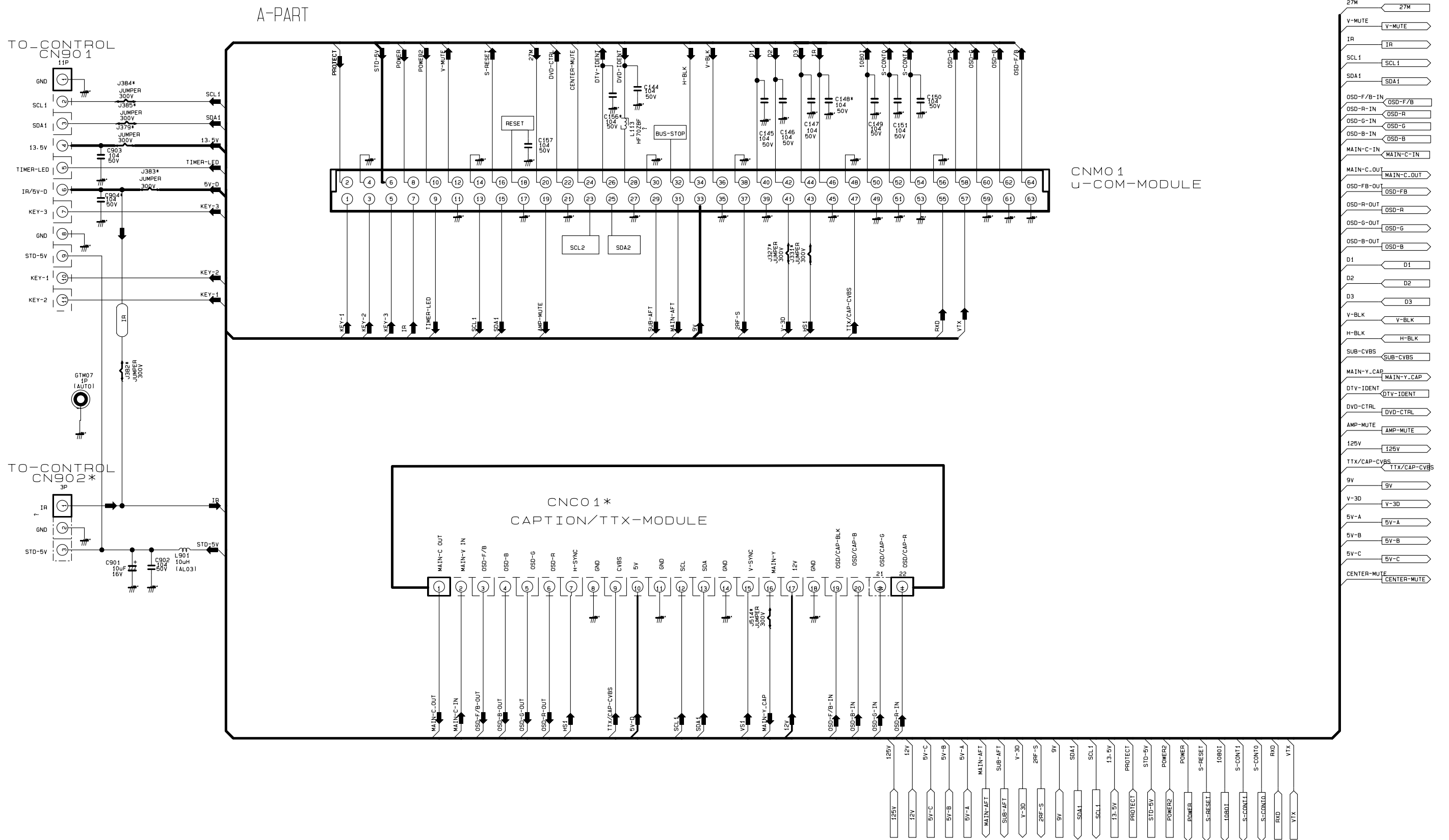
# 9. Wiring Diagram

## 9-1 Pcb Connection(Progressive)

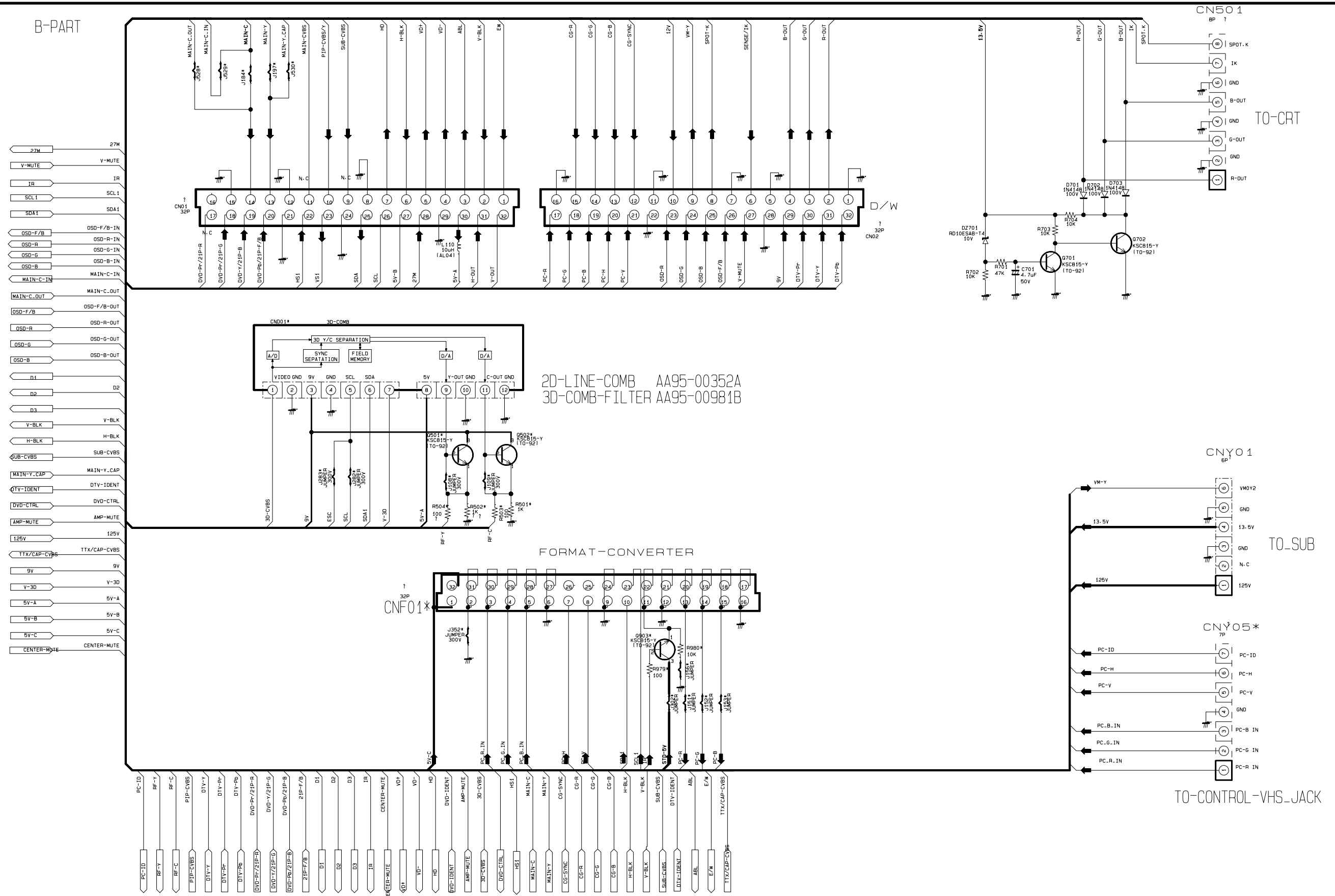


# 10. Schematic Diagrams

## 10-1 MAIN 1

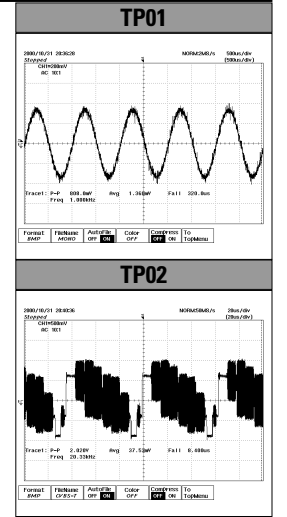
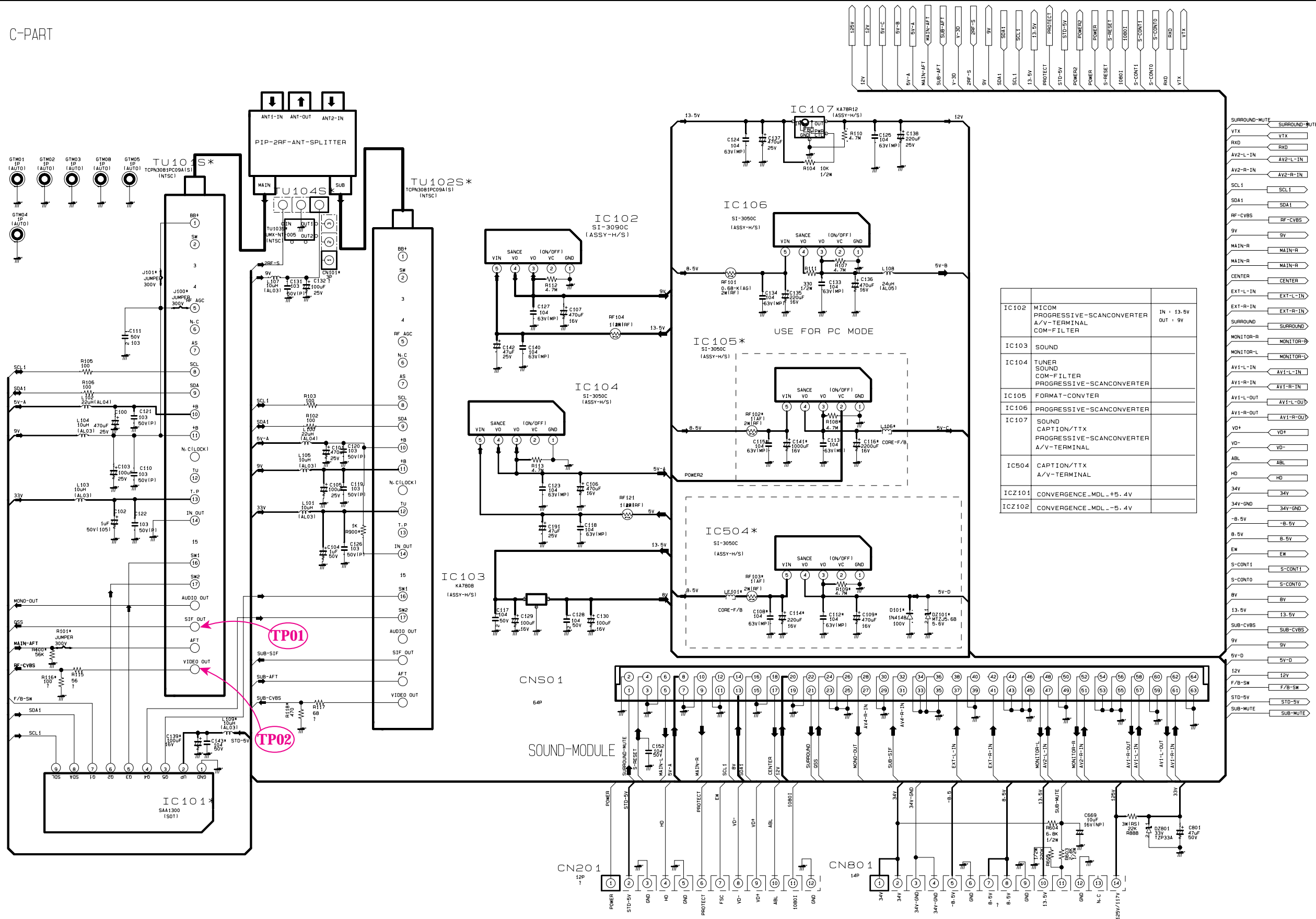


10-2 MAIN 2



10-3 MAIN 3

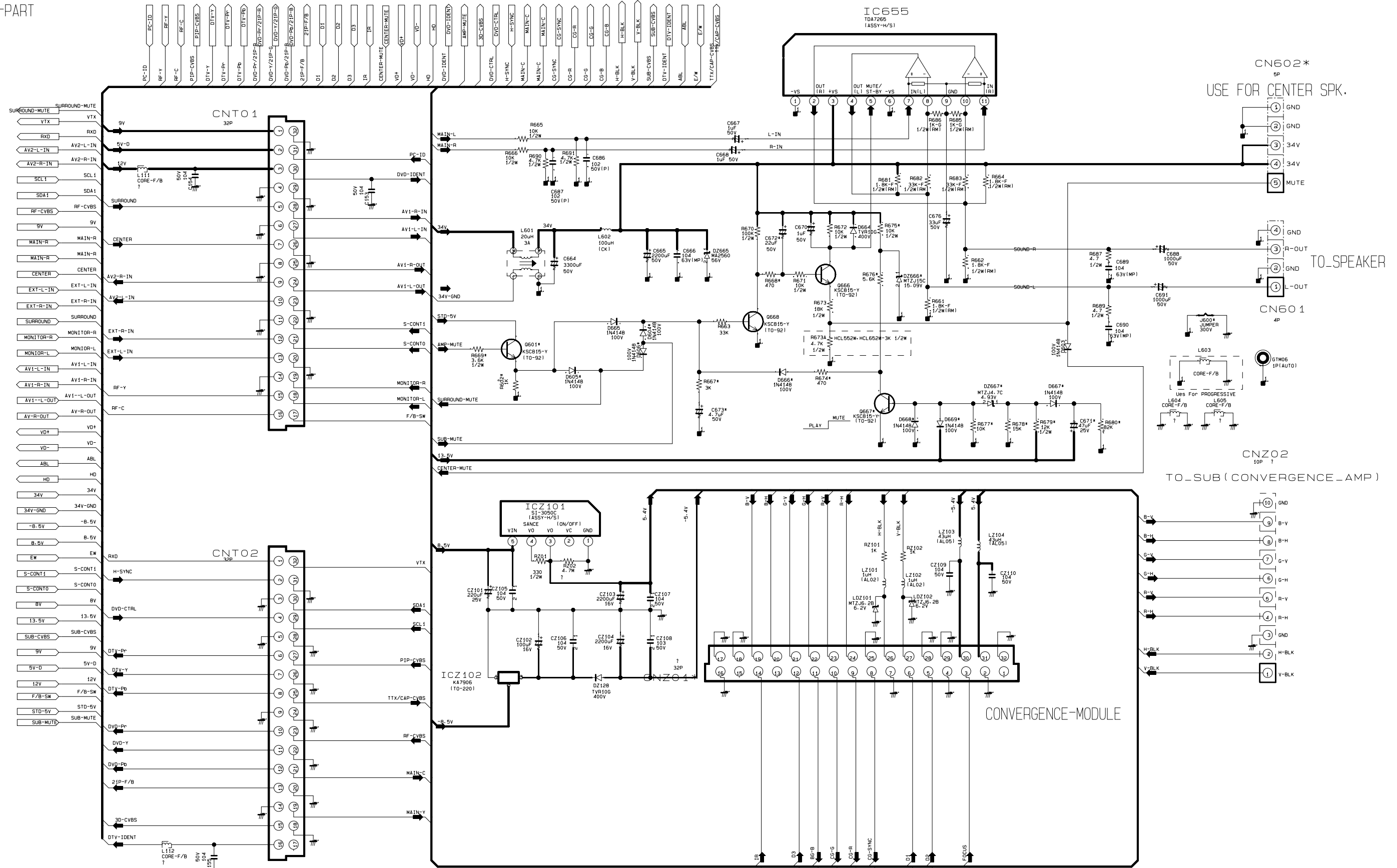
C-PART



- SURROUND-MUTE
- YTX
- RXD
- AV2-L-IN
- AV2-R-IN
- SCL1
- SDA1
- RF-CVBS
- 9V
- MAIN-R
- MAIN-L
- CENTER
- EXT-L-IN
- EXT-R-IN
- SURROUND
- MONITOR-R
- MONITOR-L
- AV1-L-IN
- AV1-R-IN
- AV1-L-OUT
- AV1-R-OUT
- VD+
- VD-
- ABL
- HD
- 34V
- 34V-GND
- B.5V
- B.5V
- EM
- S-CONT1
- S-CONT0
- 8V
- 13.5V
- SUB-CVBS
- 9V
- 5V-D
- 12V
- F/B-SW
- STD-5V
- SUB-MUTE

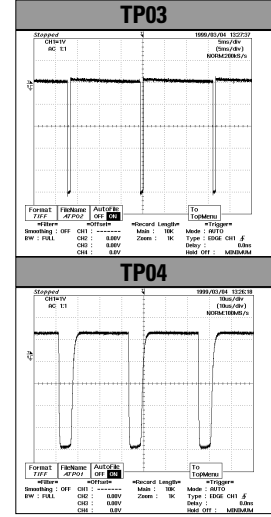
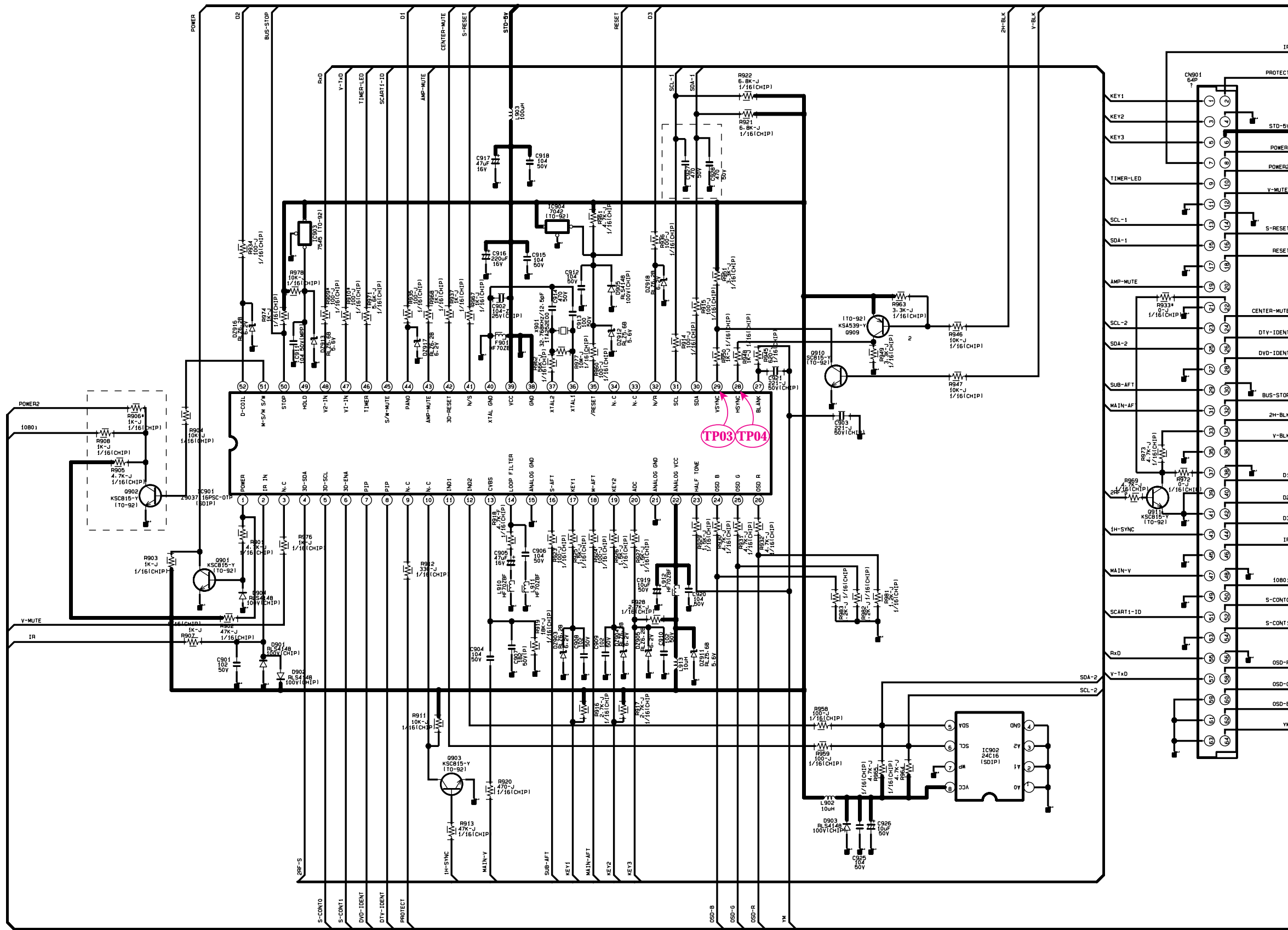
10-4 MAIN 4

D-PART

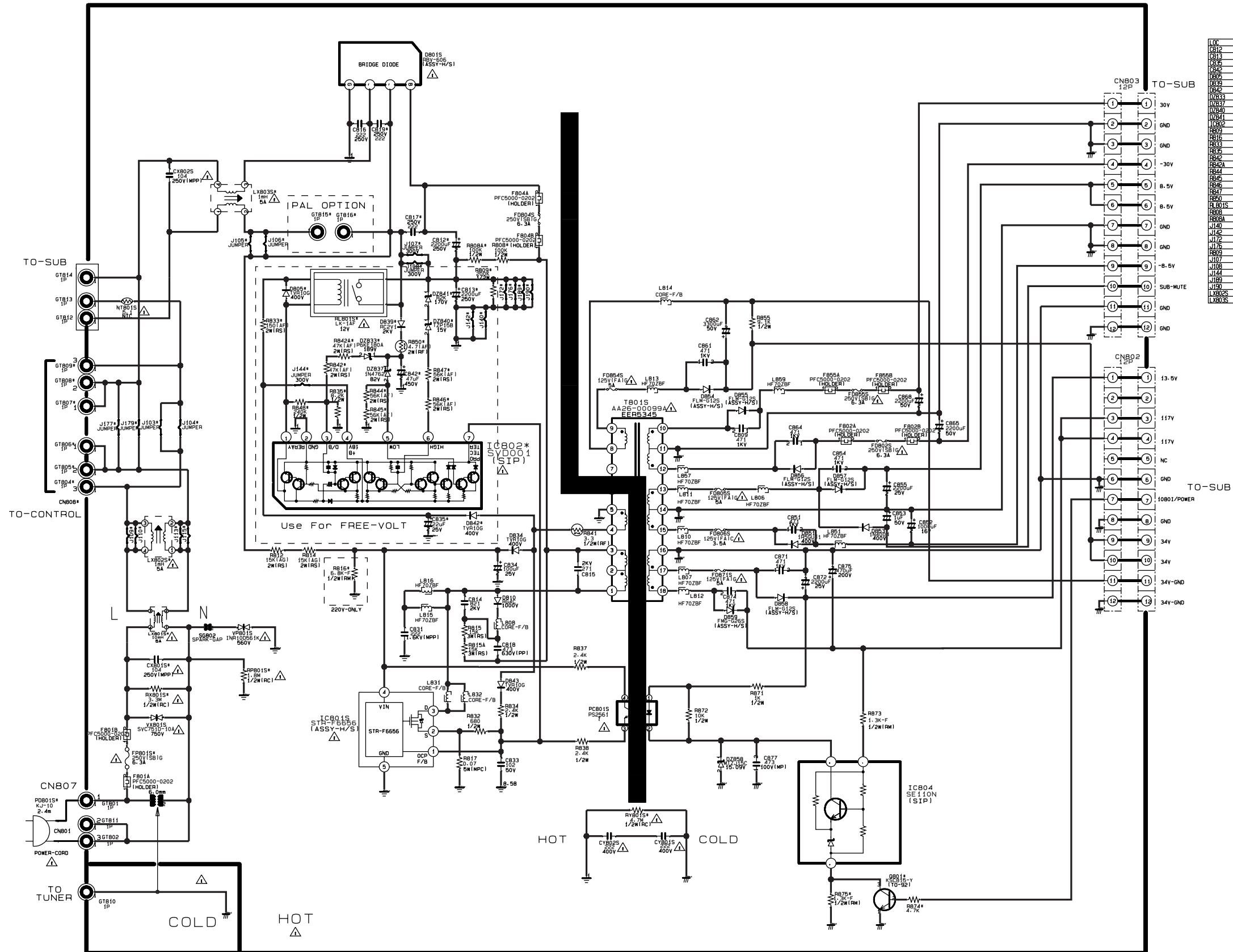




10-5 MICOM

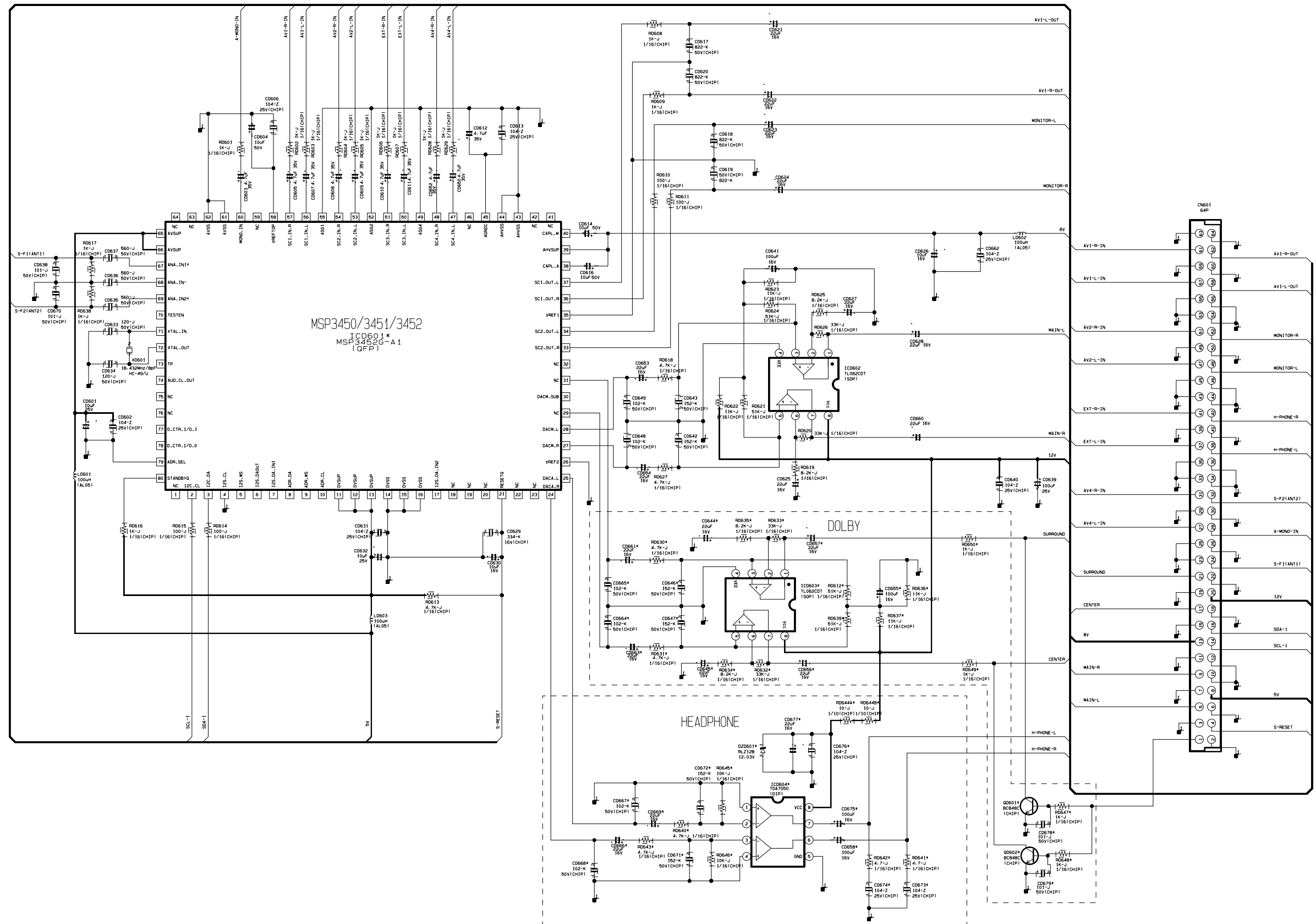


### 10-6 POWER

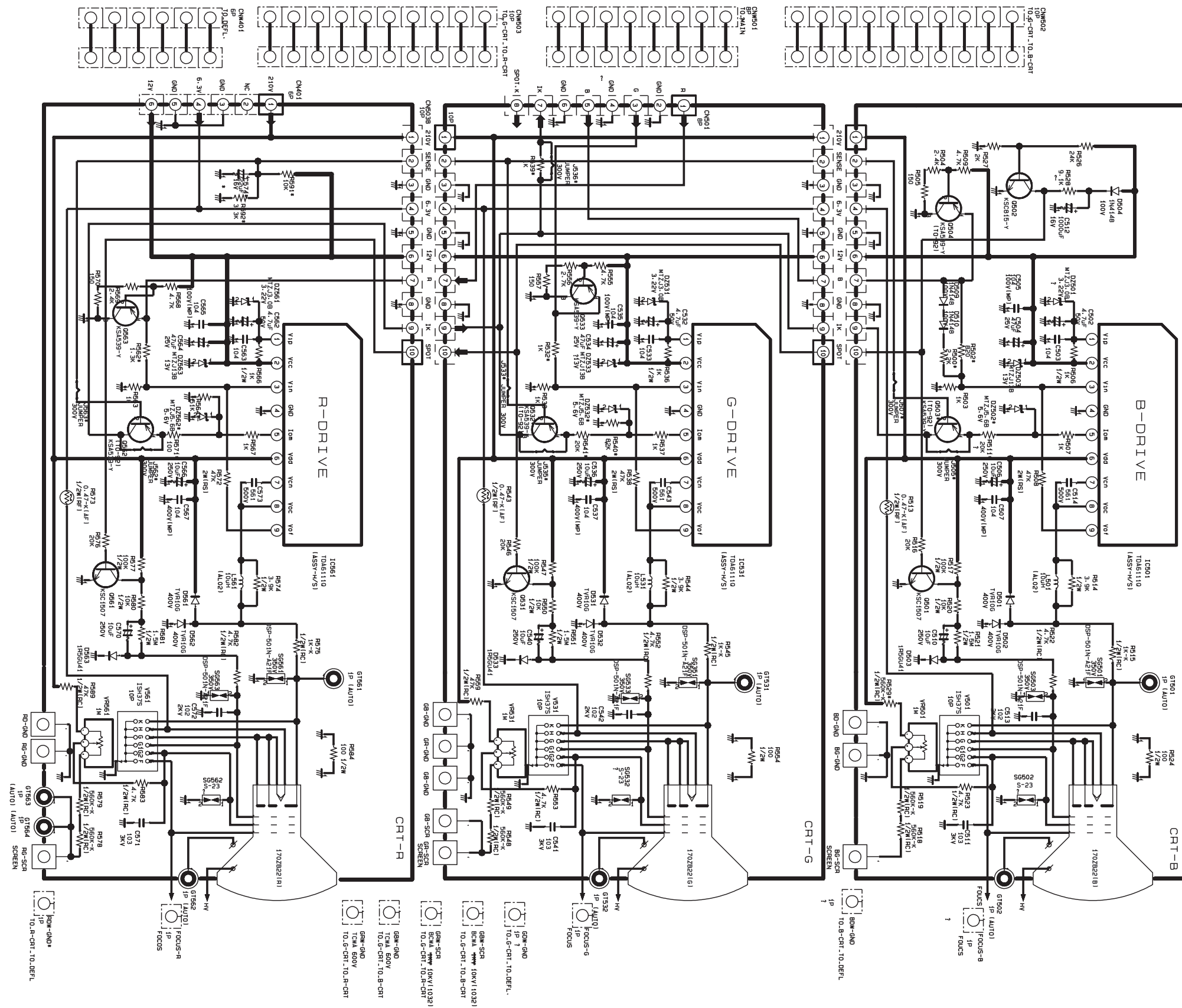


LOC	REF	220V	120V
CB12	2401-000101 2200F 250V	2401-003484 6800F 50V	2401-000701 2200F 250V
CB13	2401-000701 2200F 250V	DELETE	2401-000701 2200F 250V
CB16	2401-000010 220F 25V	DELETE	DELETE
CB22	2401-003970 470F 250V	DELETE	DELETE
CB25	0402-00546 1000F	DELETE	DELETE
CB39	0402-00525 R2-V1	DELETE	DELETE
CB42	0402-00546 1000F	DELETE	DELETE
CB53	0402-01007 PFC00A	DELETE	DELETE
CB57	0402-000170 104F2	DELETE	DELETE
CB60	0402-00023 M45F50	DELETE	DELETE
CB63	0402-01007 PFC00A	DELETE	DELETE
CB67	0402-000170 104F2	DELETE	DELETE
CB70	0402-00023 M45F50	DELETE	DELETE
CB71	0402-000591 82K 10V	DELETE	DELETE
CB72	0402-000591 82K 10V	DELETE	DELETE
CB73	0402-000591 82K 10V	DELETE	DELETE
CB74	0402-000591 82K 10V	DELETE	DELETE
CB75	0402-000591 82K 10V	DELETE	DELETE
CB76	0402-000591 82K 10V	DELETE	DELETE
CB77	0402-000591 82K 10V	DELETE	DELETE
CB78	0402-000591 82K 10V	DELETE	DELETE
CB79	0402-000591 82K 10V	DELETE	DELETE
CB80	0402-000591 82K 10V	DELETE	DELETE
CB81	0402-000591 82K 10V	DELETE	DELETE
CB82	0402-000591 82K 10V	DELETE	DELETE
CB83	0402-000591 82K 10V	DELETE	DELETE
CB84	0402-000591 82K 10V	DELETE	DELETE
CB85	0402-000591 82K 10V	DELETE	DELETE
CB86	0402-000591 82K 10V	DELETE	DELETE
CB87	0402-000591 82K 10V	DELETE	DELETE
CB88	0402-000591 82K 10V	DELETE	DELETE
CB89	0402-000591 82K 10V	DELETE	DELETE
CB90	0402-000591 82K 10V	DELETE	DELETE
CB91	0402-000591 82K 10V	DELETE	DELETE
CB92	0402-000591 82K 10V	DELETE	DELETE
CB93	0402-000591 82K 10V	DELETE	DELETE
CB94	0402-000591 82K 10V	DELETE	DELETE
CB95	0402-000591 82K 10V	DELETE	DELETE
CB96	0402-000591 82K 10V	DELETE	DELETE
CB97	0402-000591 82K 10V	DELETE	DELETE
CB98	0402-000591 82K 10V	DELETE	DELETE
CB99	0402-000591 82K 10V	DELETE	DELETE
CB100	0402-000591 82K 10V	DELETE	DELETE
CB101	0402-000591 82K 10V	DELETE	DELETE
CB102	0402-000591 82K 10V	DELETE	DELETE
CB103	0402-000591 82K 10V	DELETE	DELETE
CB104	0402-000591 82K 10V	DELETE	DELETE
CB105	0402-000591 82K 10V	DELETE	DELETE
CB106	0402-000591 82K 10V	DELETE	DELETE
CB107	0402-000591 82K 10V	DELETE	DELETE
CB108	0402-000591 82K 10V	DELETE	DELETE
CB109	0402-000591 82K 10V	DELETE	DELETE
CB110	0402-000591 82K 10V	DELETE	DELETE
CB111	0402-000591 82K 10V	DELETE	DELETE
CB112	0402-000591 82K 10V	DELETE	DELETE
CB113	0402-000591 82K 10V	DELETE	DELETE
CB114	0402-000591 82K 10V	DELETE	DELETE
CB115	0402-000591 82K 10V	DELETE	DELETE
CB116	0402-000591 82K 10V	DELETE	DELETE
CB117	0402-000591 82K 10V	DELETE	DELETE
CB118	0402-000591 82K 10V	DELETE	DELETE
CB119	0402-000591 82K 10V	DELETE	DELETE
CB120	0402-000591 82K 10V	DELETE	DELETE
CB121	0402-000591 82K 10V	DELETE	DELETE
CB122	0402-000591 82K 10V	DELETE	DELETE
CB123	0402-000591 82K 10V	DELETE	DELETE
CB124	0402-000591 82K 10V	DELETE	DELETE
CB125	0402-000591 82K 10V	DELETE	DELETE
CB126	0402-000591 82K 10V	DELETE	DELETE
CB127	0402-000591 82K 10V	DELETE	DELETE
CB128	0402-000591 82K 10V	DELETE	DELETE
CB129	0402-000591 82K 10V	DELETE	DELETE
CB130	0402-000591 82K 10V	DELETE	DELETE
CB131	0402-000591 82K 10V	DELETE	DELETE
CB132	0402-000591 82K 10V	DELETE	DELETE
CB133	0402-000591 82K 10V	DELETE	DELETE
CB134	0402-000591 82K 10V	DELETE	DELETE
CB135	0402-000591 82K 10V	DELETE	DELETE
CB136	0402-000591 82K 10V	DELETE	DELETE
CB137	0402-000591 82K 10V	DELETE	DELETE
CB138	0402-000591 82K 10V	DELETE	DELETE
CB139	0402-000591 82K 10V	DELETE	DELETE
CB140	0402-000591 82K 10V	DELETE	DELETE
CB141	0402-000591 82K 10V	DELETE	DELETE
CB142	0402-000591 82K 10V	DELETE	DELETE
CB143	0402-000591 82K 10V	DELETE	DELETE
CB144	0402-000591 82K 10V	DELETE	DELETE
CB145	0402-000591 82K 10V	DELETE	DELETE
CB146	0402-000591 82K 10V	DELETE	DELETE
CB147	0402-000591 82K 10V	DELETE	DELETE
CB148	0402-000591 82K 10V	DELETE	DELETE
CB149	0402-000591 82K 10V	DELETE	DELETE
CB150	0402-000591 82K 10V	DELETE	DELETE
CB151	0402-000591 82K 10V	DELETE	DELETE
CB152	0402-000591 82K 10V	DELETE	DELETE
CB153	0402-000591 82K 10V	DELETE	DELETE
CB154	0402-000591 82K 10V	DELETE	DELETE
CB155	0402-000591 82K 10V	DELETE	DELETE
CB156	0402-000591 82K 10V	DELETE	DELETE
CB157	0402-000591 82K 10V	DELETE	DELETE
CB158	0402-000591 82K 10V	DELETE	DELETE
CB159	0402-000591 82K 10V	DELETE	DELETE
CB160	0402-000591 82K 10V	DELETE	DELETE
CB161	0402-000591 82K 10V	DELETE	DELETE
CB162	0402-000591 82K 10V	DELETE	DELETE
CB163	0402-000591 82K 10V	DELETE	DELETE
CB164	0402-000591 82K 10V	DELETE	DELETE
CB165	0402-000591 82K 10V	DELETE	DELETE
CB166	0402-000591 82K 10V	DELETE	DELETE
CB167	0402-000591 82K 10V	DELETE	DELETE
CB168	0402-000591 82K 10V	DELETE	DELETE
CB169	0402-000591 82K 10V	DELETE	DELETE
CB170	0402-000591 82K 10V	DELETE	DELETE
CB171	0402-000591 82K 10V	DELETE	DELETE
CB172	0402-000591 82K 10V	DELETE	DELETE
CB173	0402-000591 82K 10V	DELETE	DELETE
CB174	0402-000591 82K 10V	DELETE	DELETE
CB175	0402-000591 82K 10V	DELETE	DELETE
CB176	0402-000591 82K 10V	DELETE	DELETE
CB177	0402-000591 82K 10V	DELETE	DELETE
CB178	0402-000591 82K 10V	DELETE	DELETE
CB179	0402-000591 82K 10V	DELETE	DELETE
CB180	0402-000591 82K 10V	DELETE	DELETE
CB181	0402-000591 82K 10V	DELETE	DELETE
CB182	0402-000591 82K 10V	DELETE	DELETE
CB183	0402-000591 82K 10V	DELETE	DELETE
CB184	0402-000591 82K 10V	DELETE	DELETE
CB185	0402-000591 82K 10V	DELETE	DELETE
CB186	0402-000591 82K 10V	DELETE	DELETE
CB187	0402-000591 82K 10V	DELETE	DELETE
CB188	0402-000591 82K 10V	DELETE	DELETE
CB189	0402-000591 82K 10V	DELETE	DELETE
CB190	0402-000591 82K 10V	DELETE	DELETE
CB191	0402-000591 82K 10V	DELETE	DELETE
CB192	0402-000591 82K 10V	DELETE	DELETE
CB193	0402-000591 82K 10V	DELETE	DELETE
CB194	0402-000591 82K 10V	DELETE	DELETE
CB195	0402-000591 82K 10V	DELETE	DELETE
CB196	0402-000591 82K 10V	DELETE	DELETE
CB197	0402-000591 82K 10V	DELETE	DELETE
CB198	0402-000591 82K 10V	DELETE	DELETE
CB199	0402-000591 82K 10V	DELETE	DELETE
CB200	0402-000591 82K 10V	DELETE	DELETE

# 10-7 SOUND

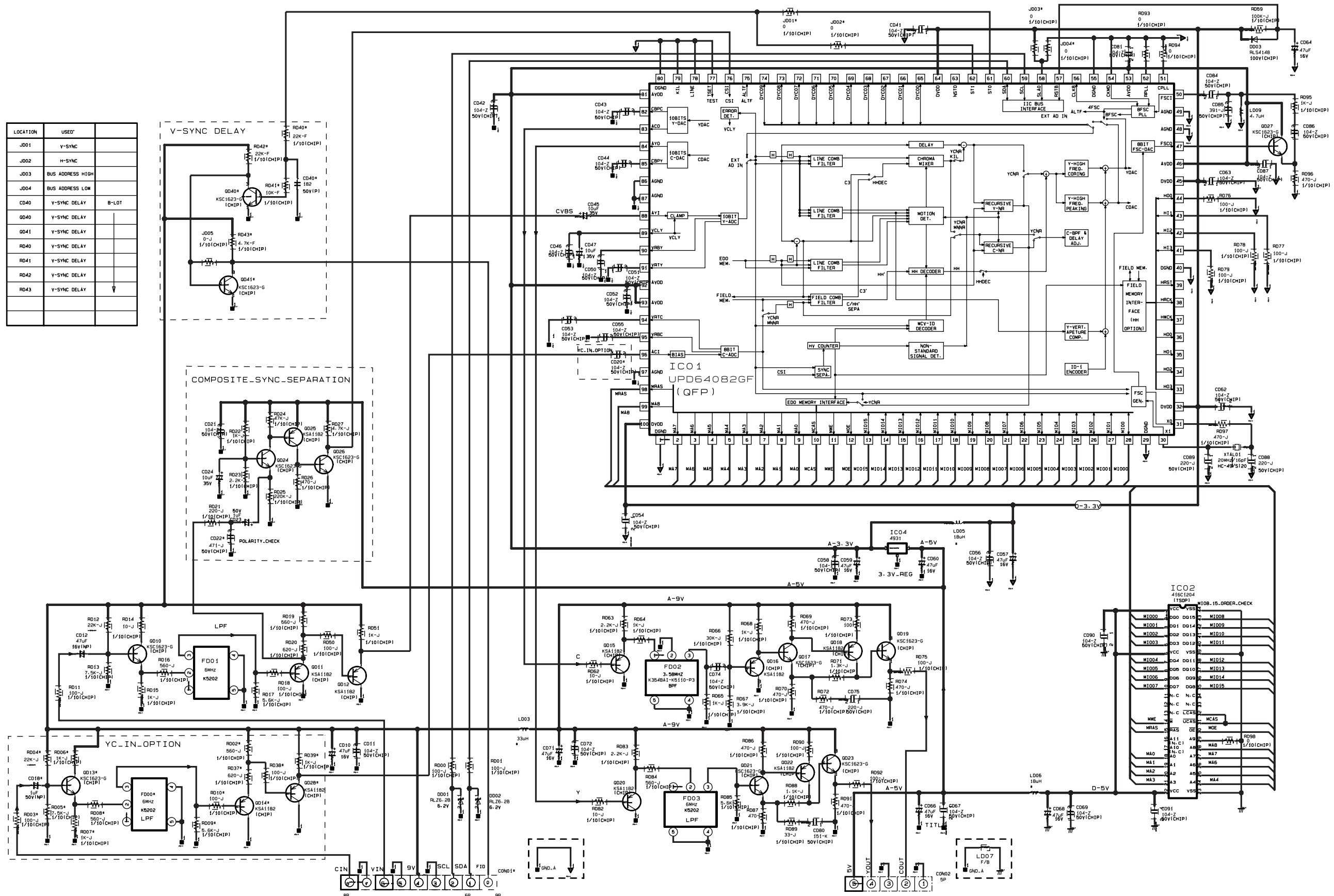


# 10-8 CRT



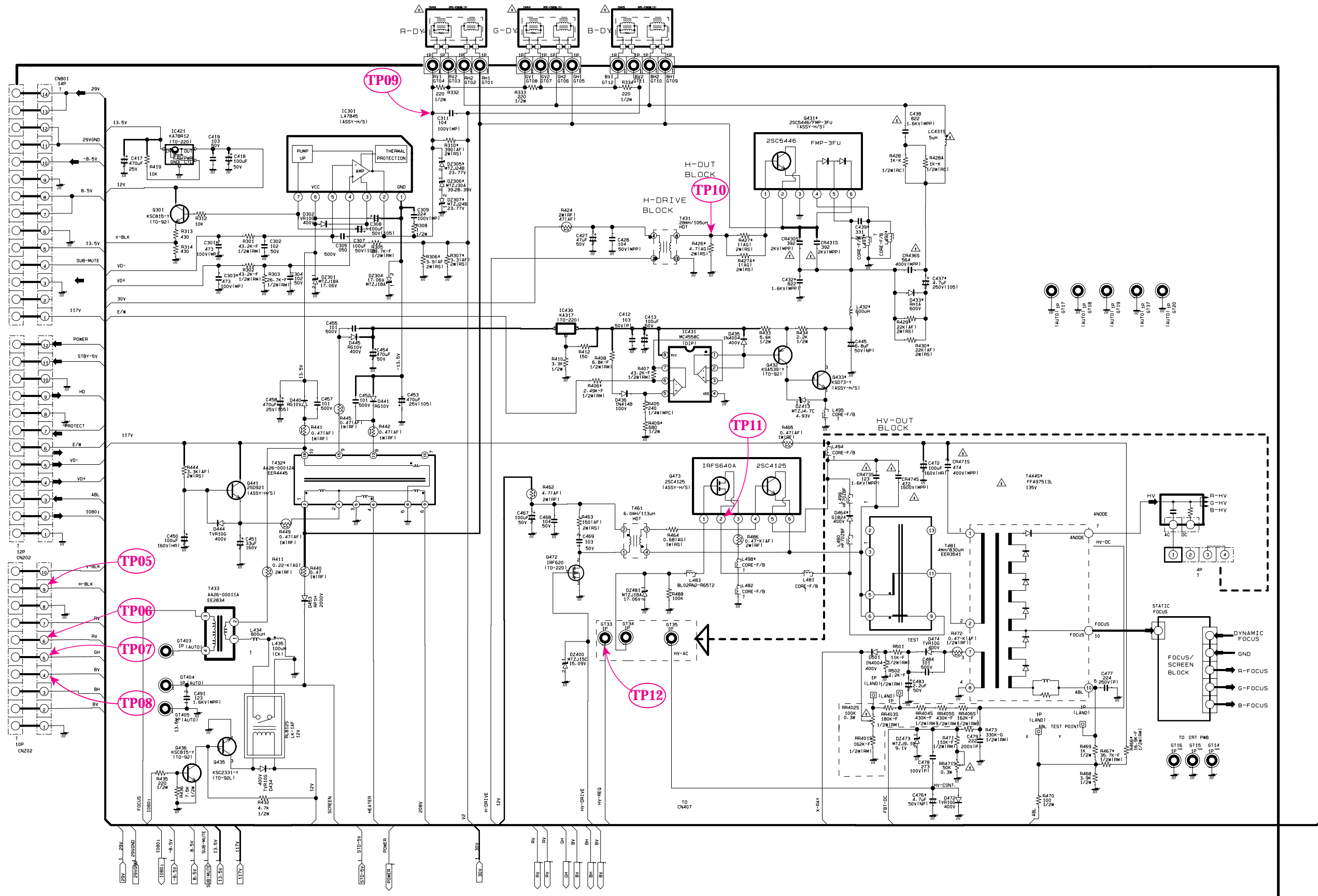
LOC	J51A	J51B
C574	DELETE	22uF - 16V
J535	JUMPER	DELETE
J536	JUMPER	DELETE
J562	JUMPER	DELETE
O503	DELETE	KSA539
O532	DELETE	KSA539
O562	DELETE	KSA539
R539	DELETE	1K · 1/BW
DZ502	MTZ5.6B	DELETE
R511	20K · 1/BW	JUMPER
J505	JUMPER	DELETE
J507	DELETE	JUMPER
R540	82K · 1/BW	DELETE
DZ532	MTZ5.6B	DELETE
J533	DELETE	JUMPER
R571	100 · 1/BW	JUMPER
R564	51K · 1/BW	DELETE
DZ562	MTZ5.6B	DELETE
J563	DELETE	JUMPER
R591	DELETE	10K · 1/BW
R592	DELETE	3 · 3K · 1/BW
R502	910 · 1/BW	1K · 1/BW
R532	820 · 1/BW	1K · 1/BW
R500	2 · 2K · 1/BW	1 · 2K · 1/BW
R529	560K · 1/2W	47K · 1/2W

10-9 3D COMB

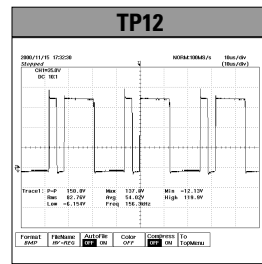
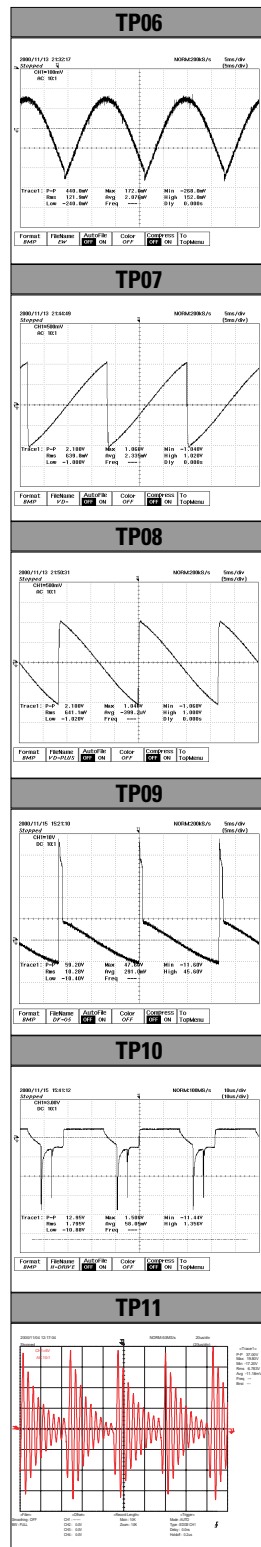




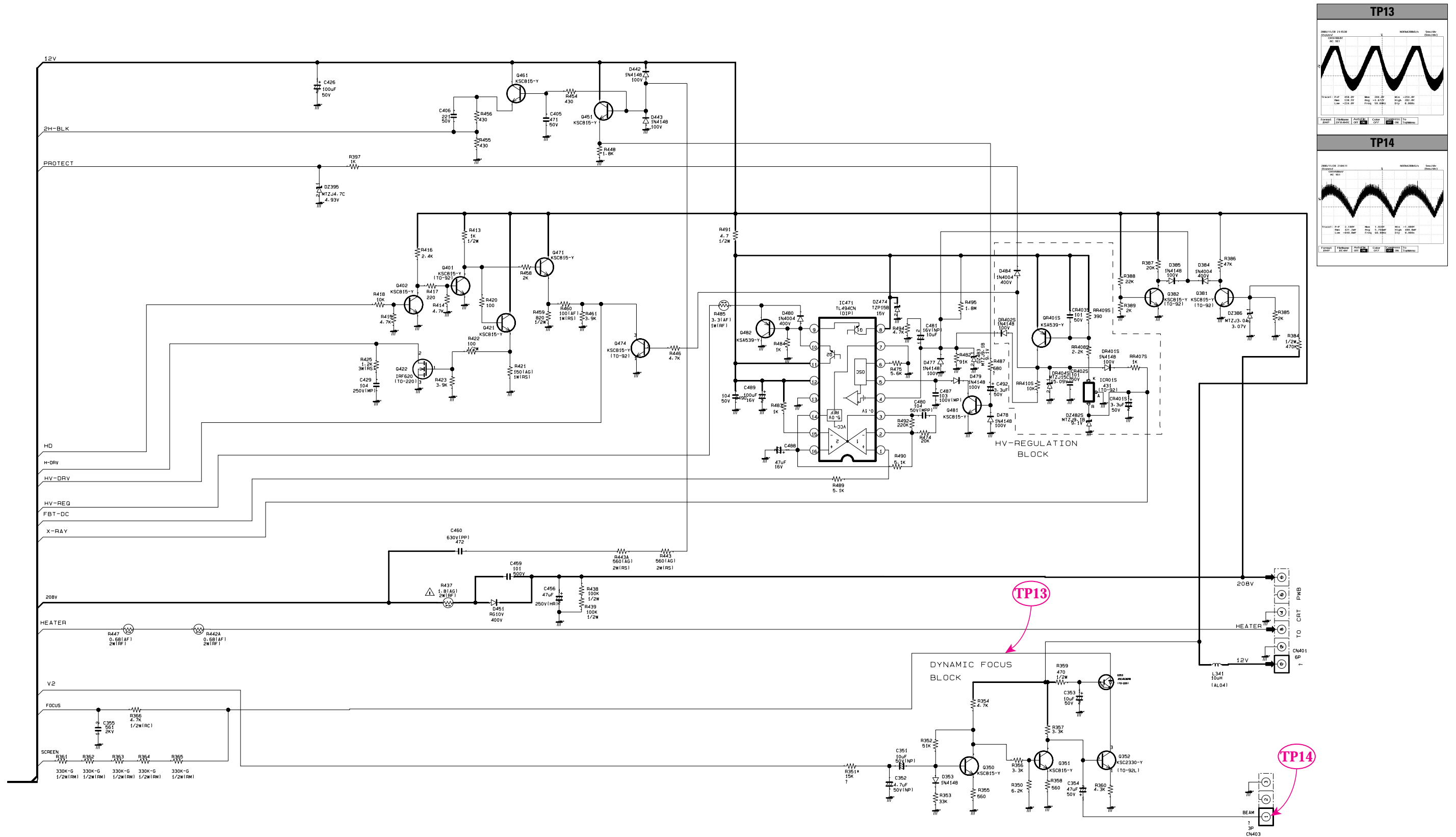
10-10 SUB 1



10-10-1 SUB 1 WAVEFORMS

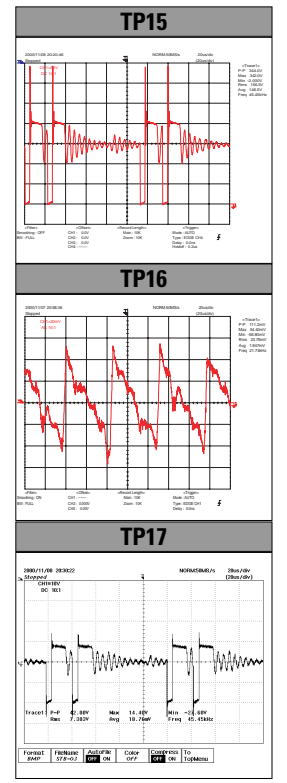
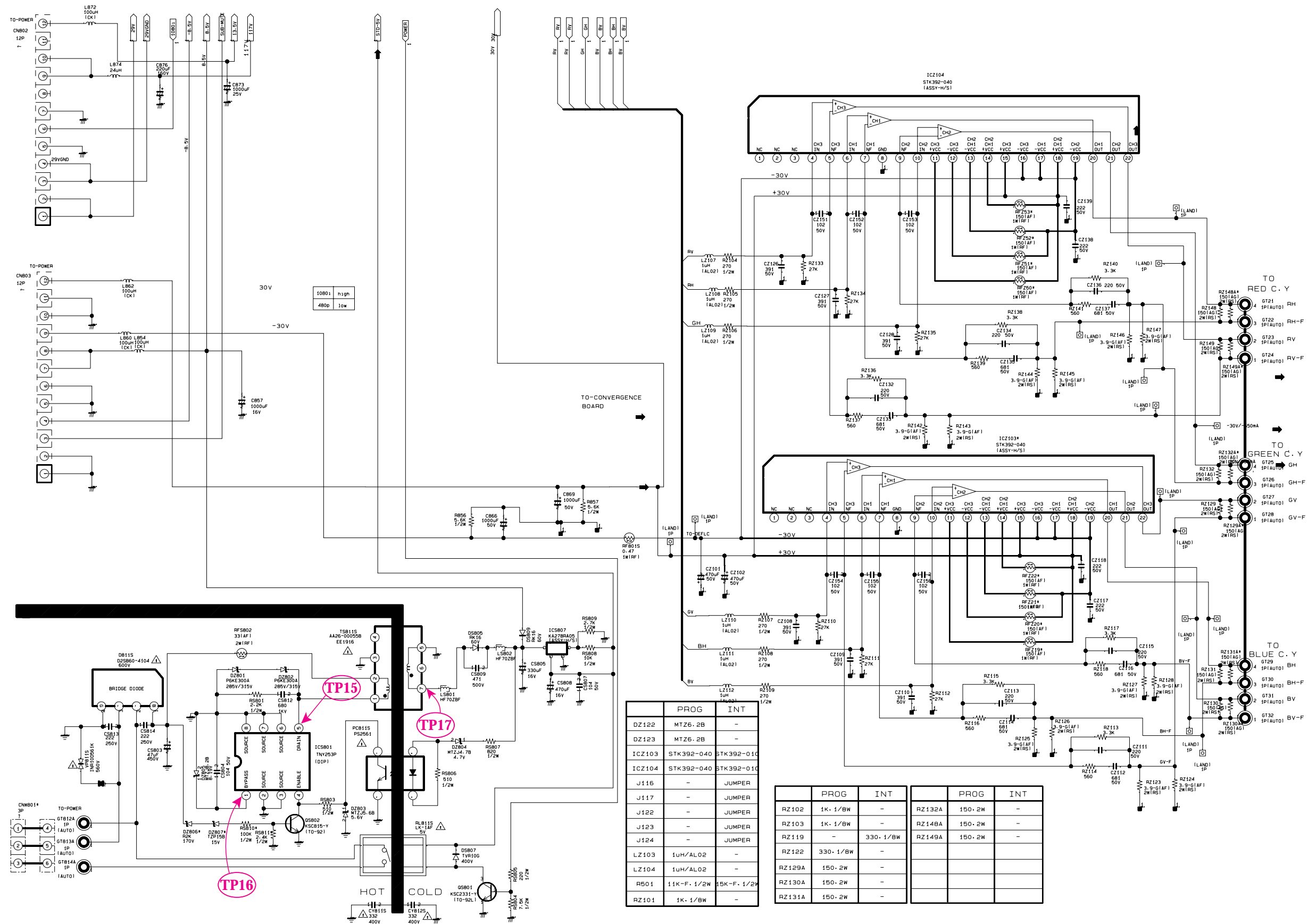


10-11 SUB 2





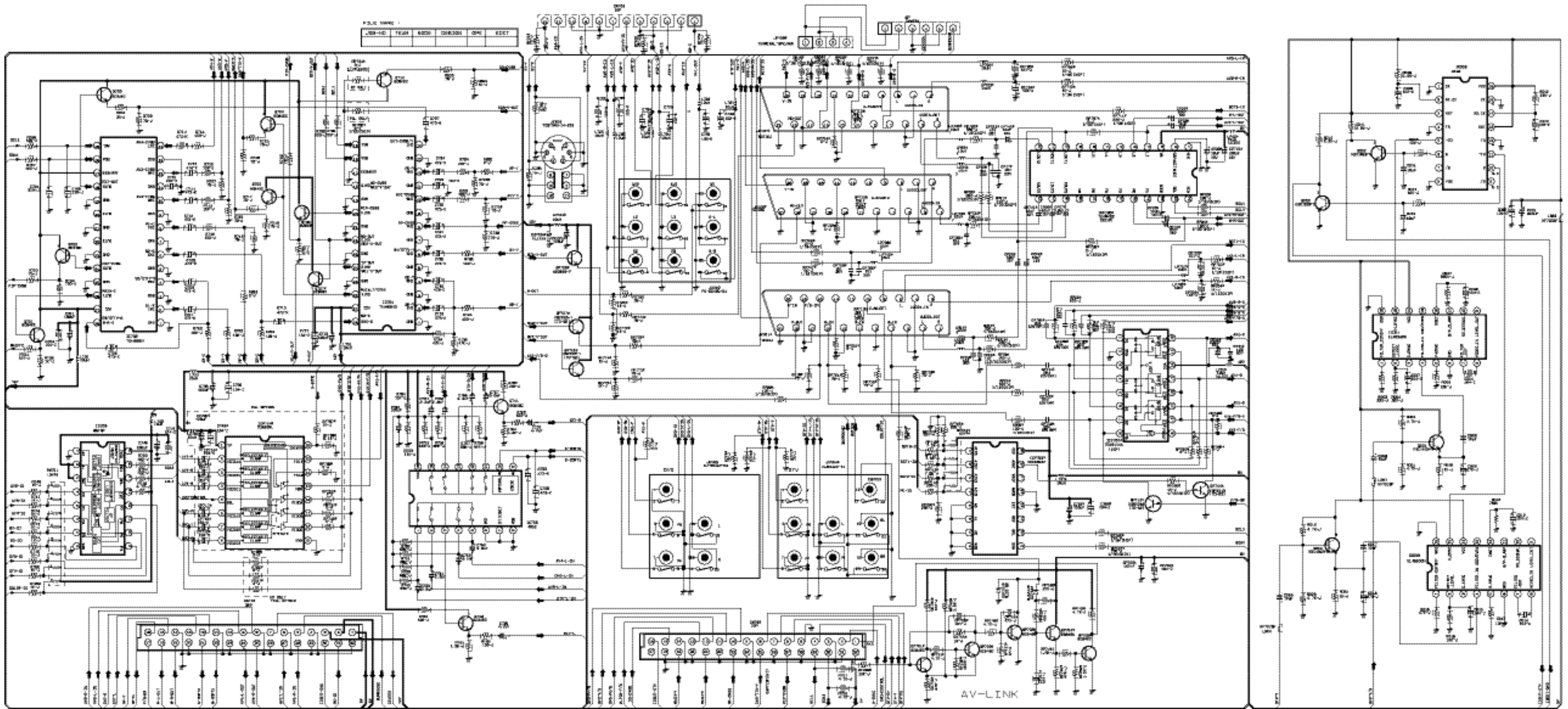
10-12 SUB 3



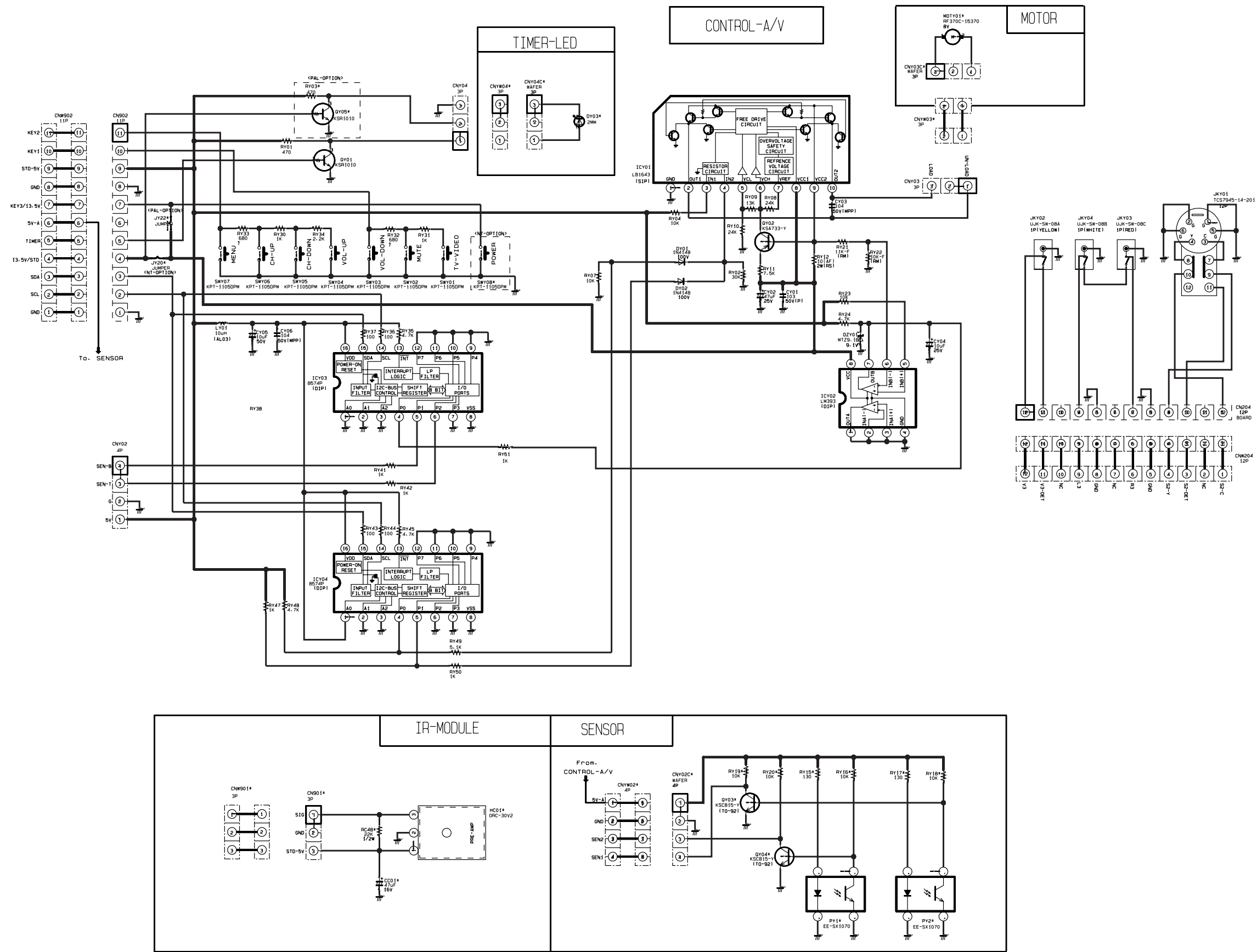
PROG	INT
DZ122	MTZ6.2B
DZ123	MTZ6.2B
ICZ103	STK392-040
ICZ104	STK392-040
J116	- JUMPER
J117	- JUMPER
J122	- JUMPER
J124	- JUMPER
LZ103	1uH/AL02
LZ104	1uH/AL02
R501	11K-F. 1/2W
RZ101	1K- 1/BW

PROG	INT	PROG	INT
RZ102	1K- 1/BW	RZ132A	150. 2W
RZ103	1K- 1/BW	RZ148A	150. 2W
RZ119	- 330. 1/BW	RZ149A	150. 2W
RZ122	330. 1/BW		
RZ129A	150. 2W		
RZ130A	150. 2W		
RZ131A	150. 2W		

### 10-13 A/V TERMINAL

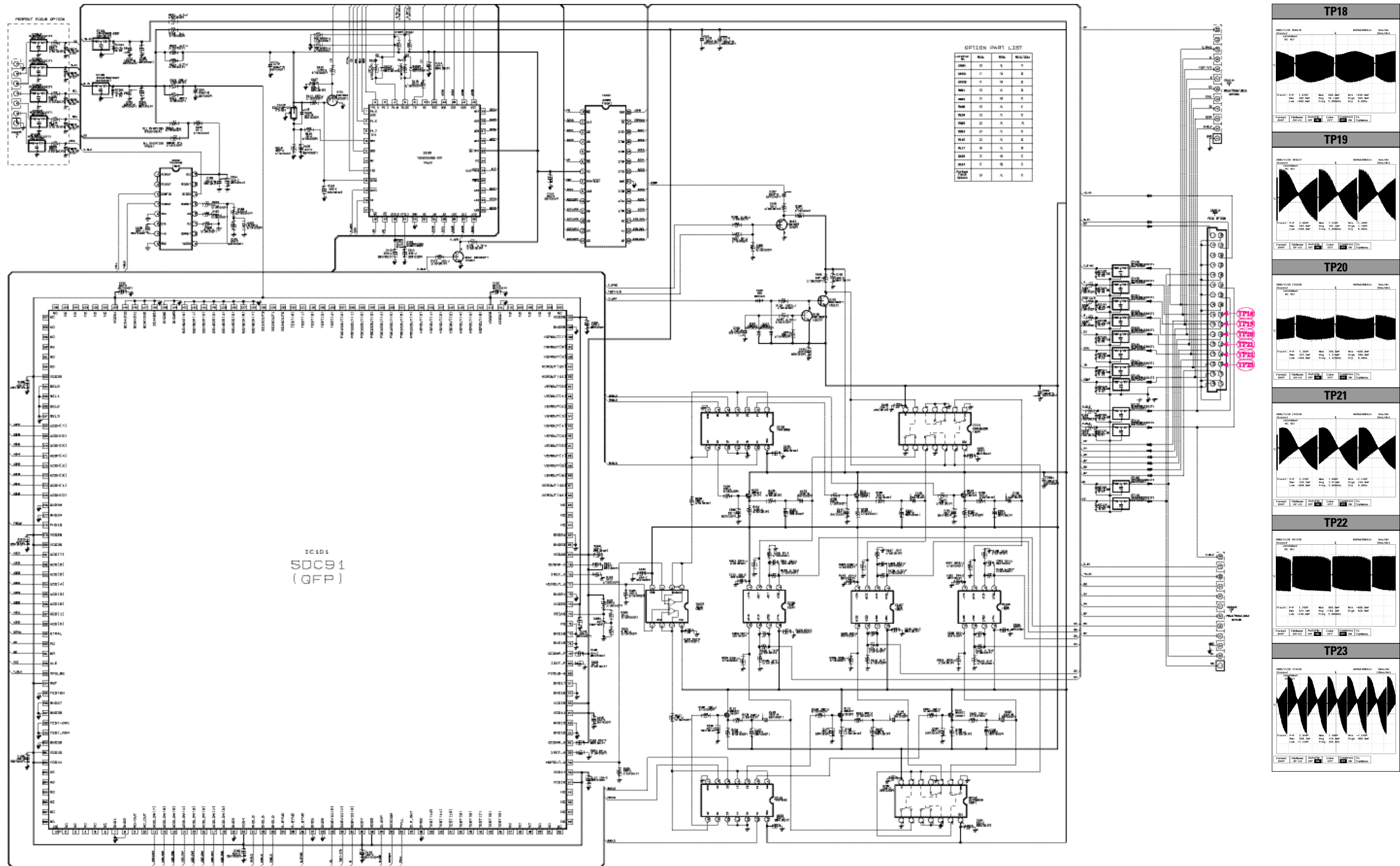


# 10-14 AV CONTROL

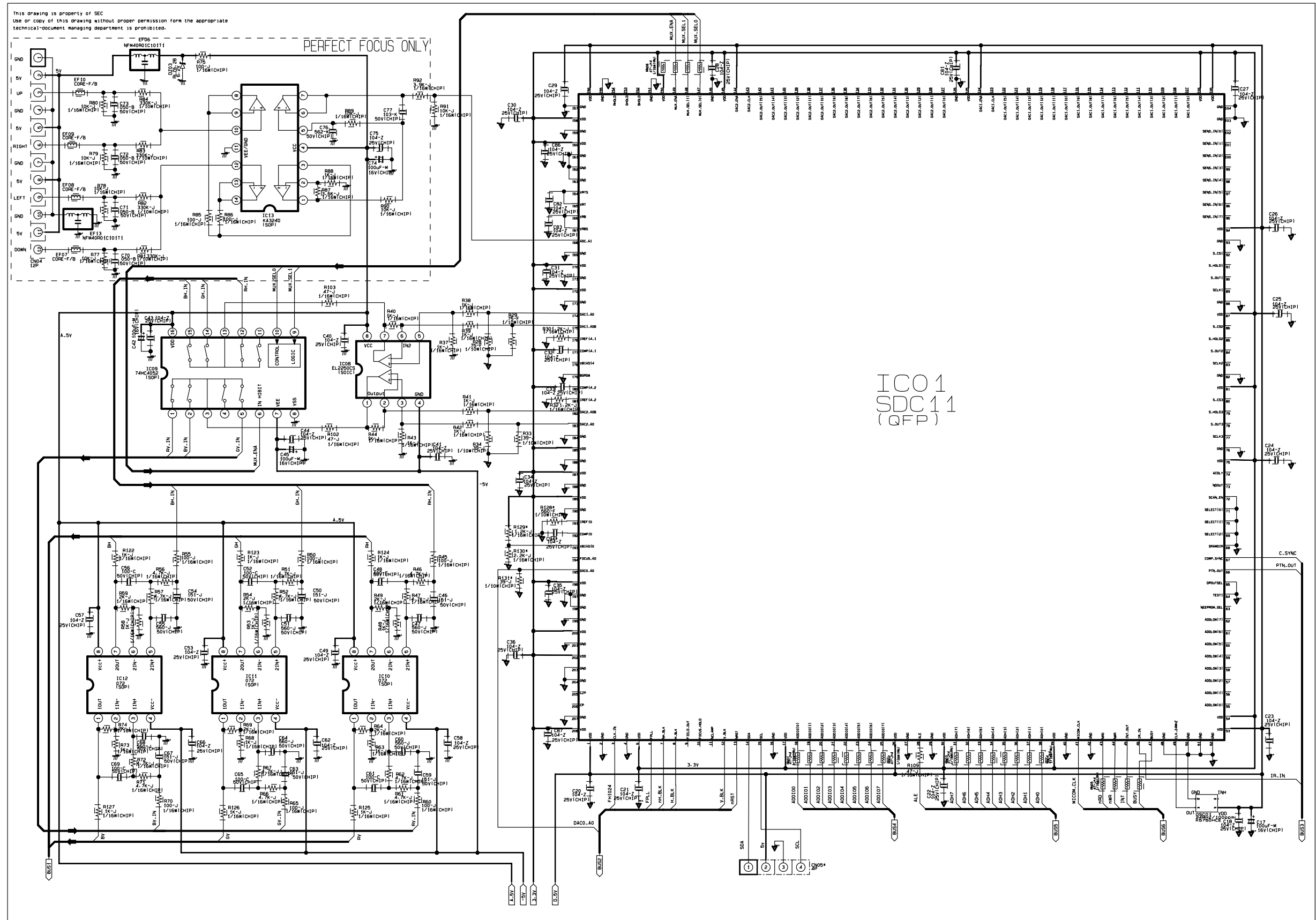




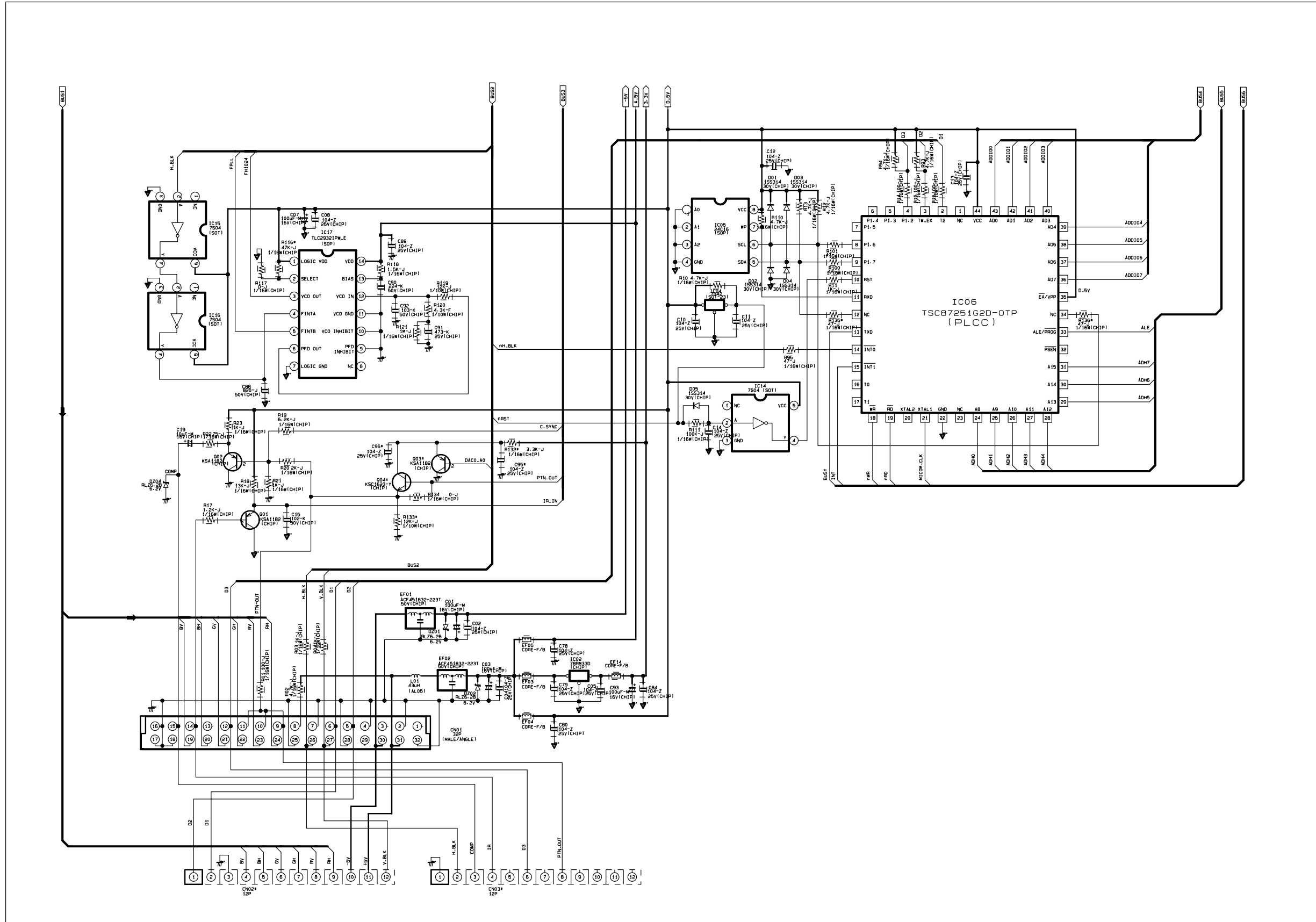
# 10-15 CONVERGENCE



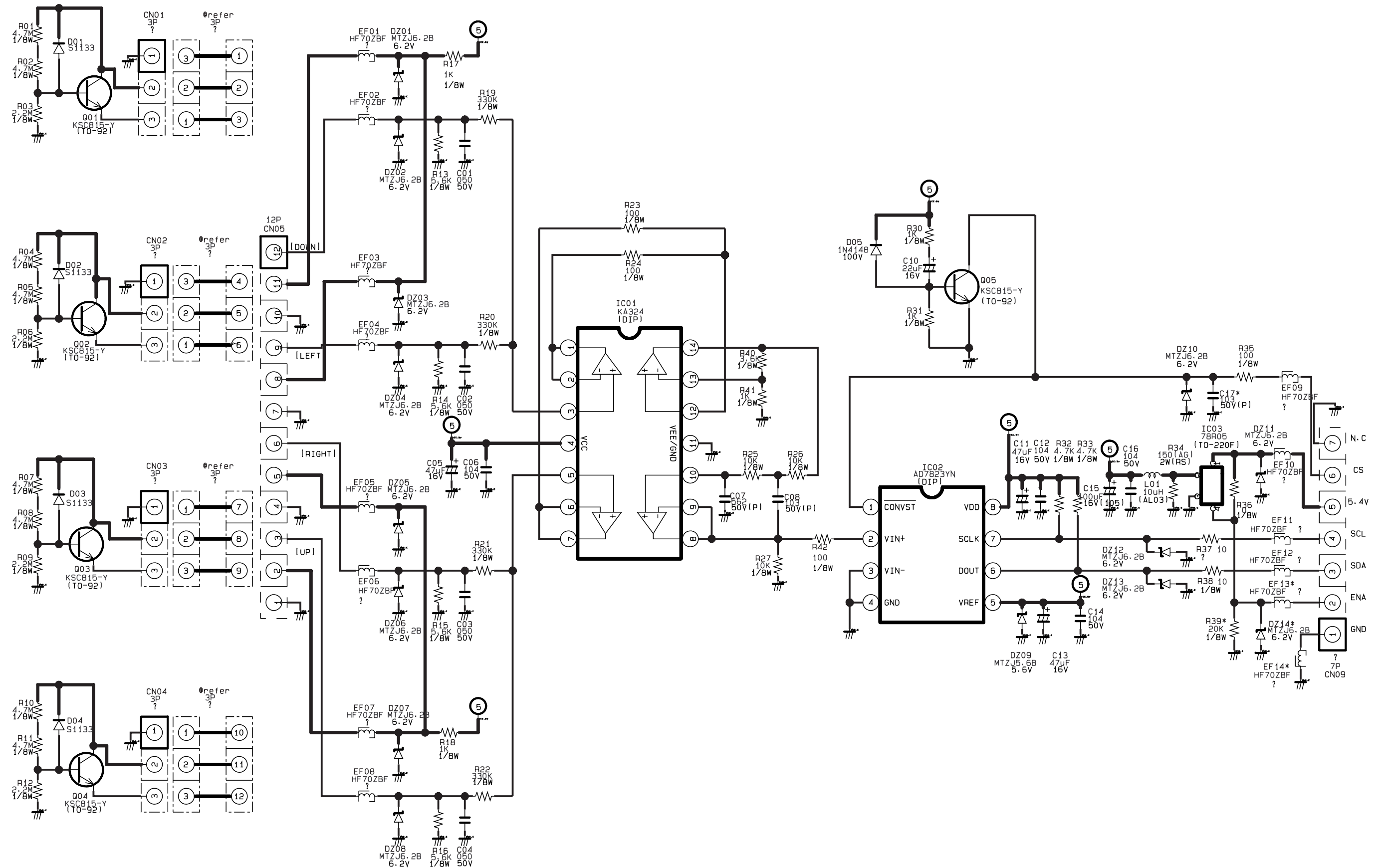
10-16 CONVERGENCE ( SDC11 - 1 )



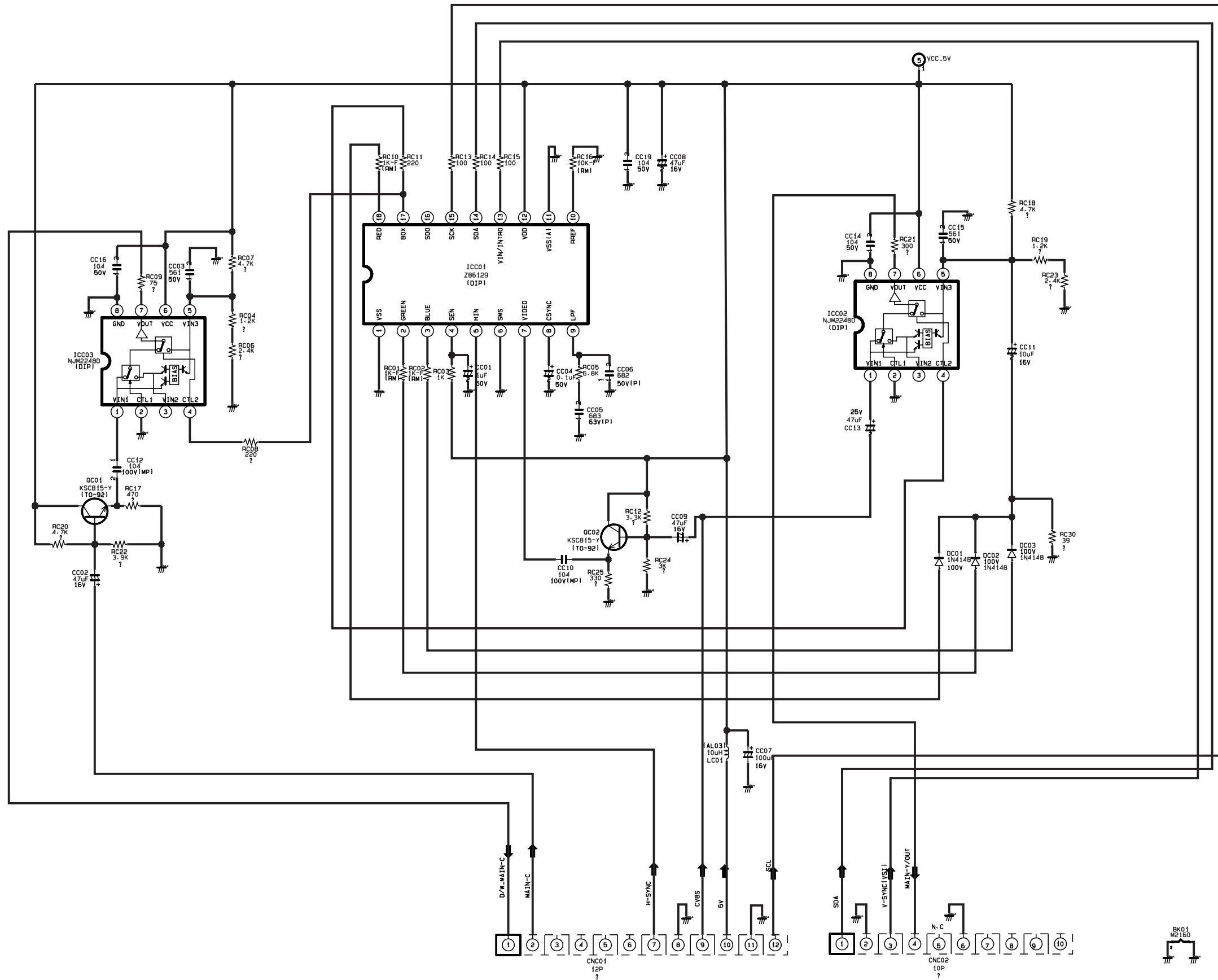
10-17 CONVERGENCE ( SDC11 - 2 )



10-18 PERFECT FOCUS (PHOTO SENSOR & INTERFACE BOARD)

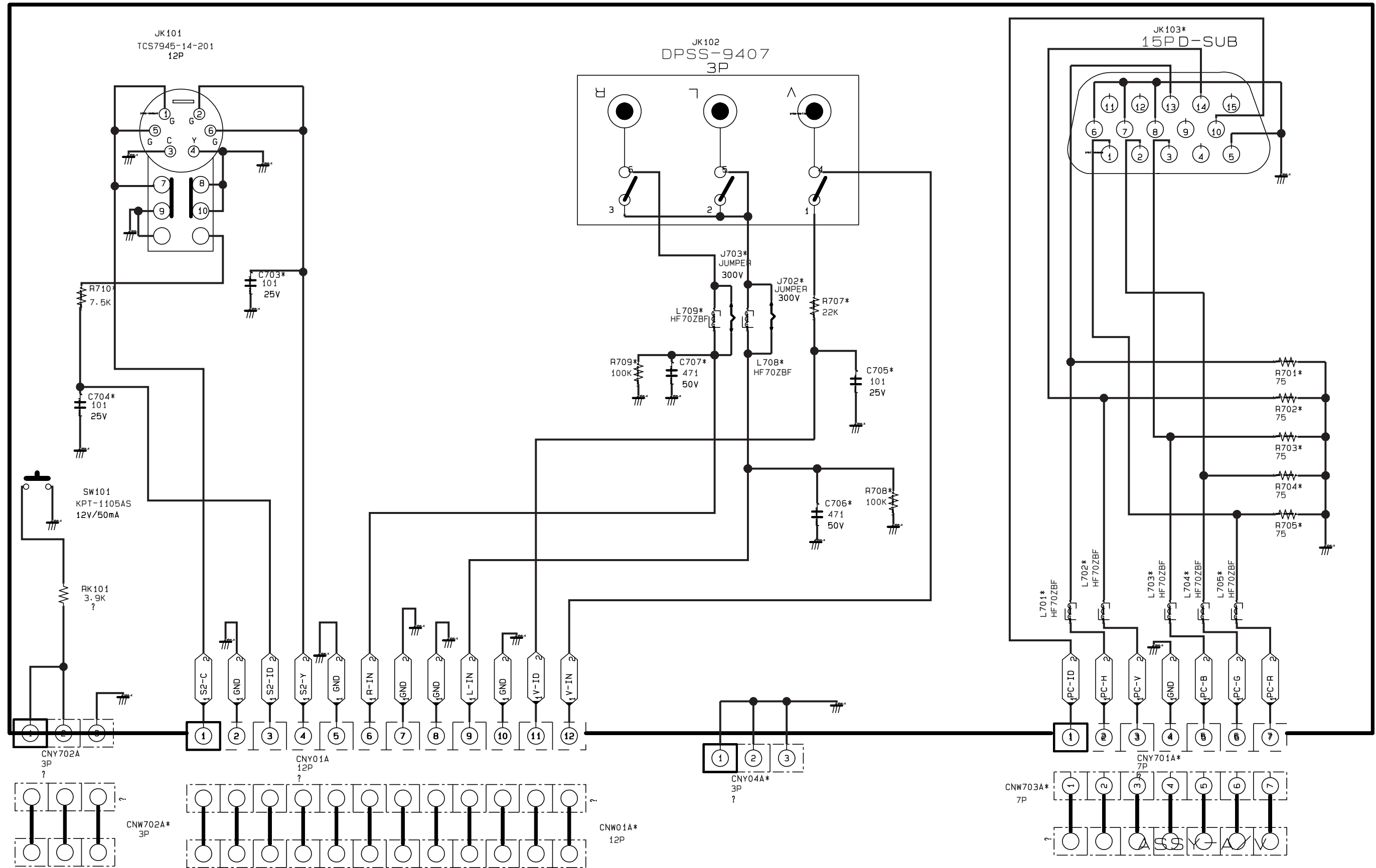


10-19 CAPTION



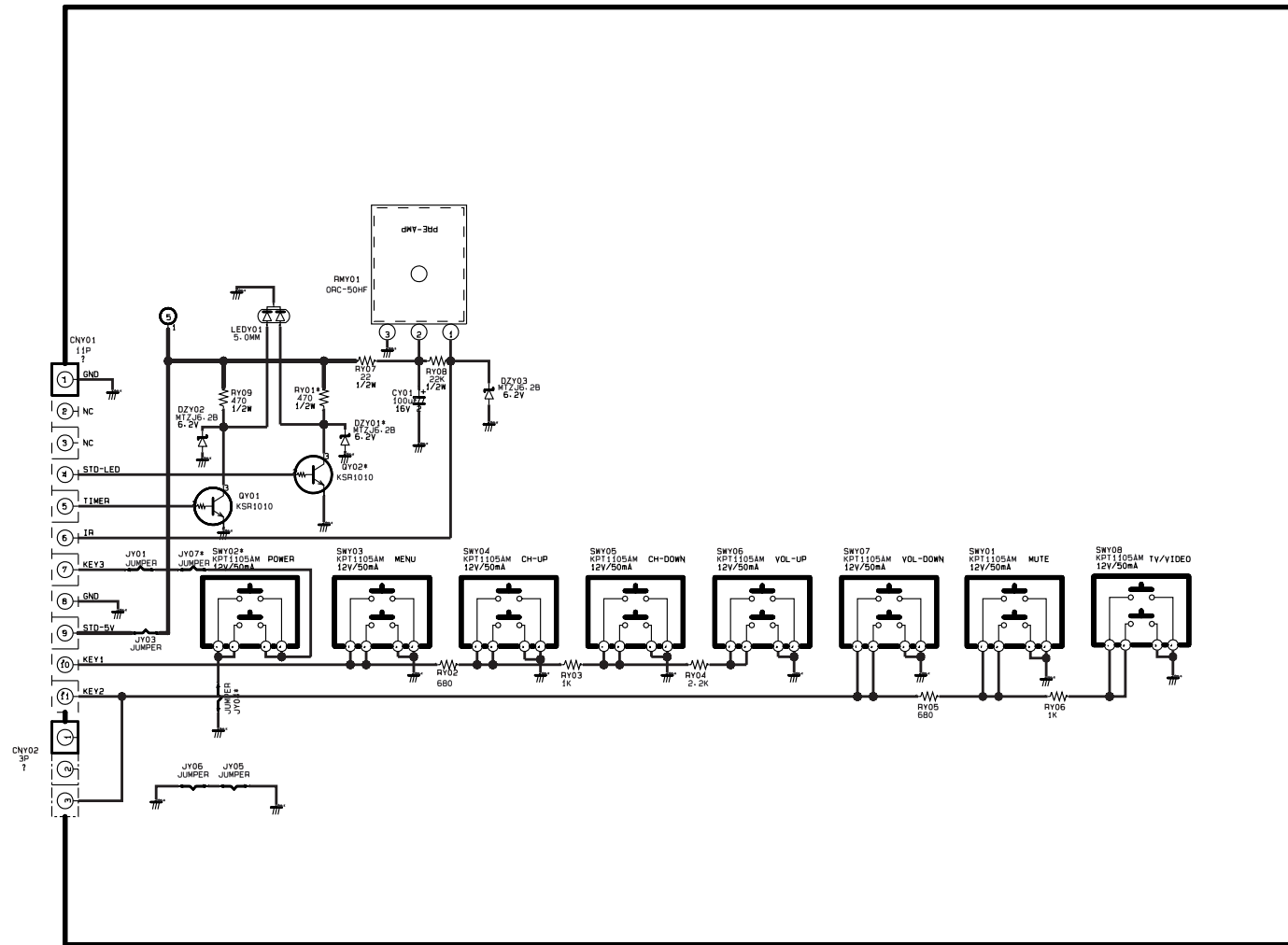


10-20 AV FRONT

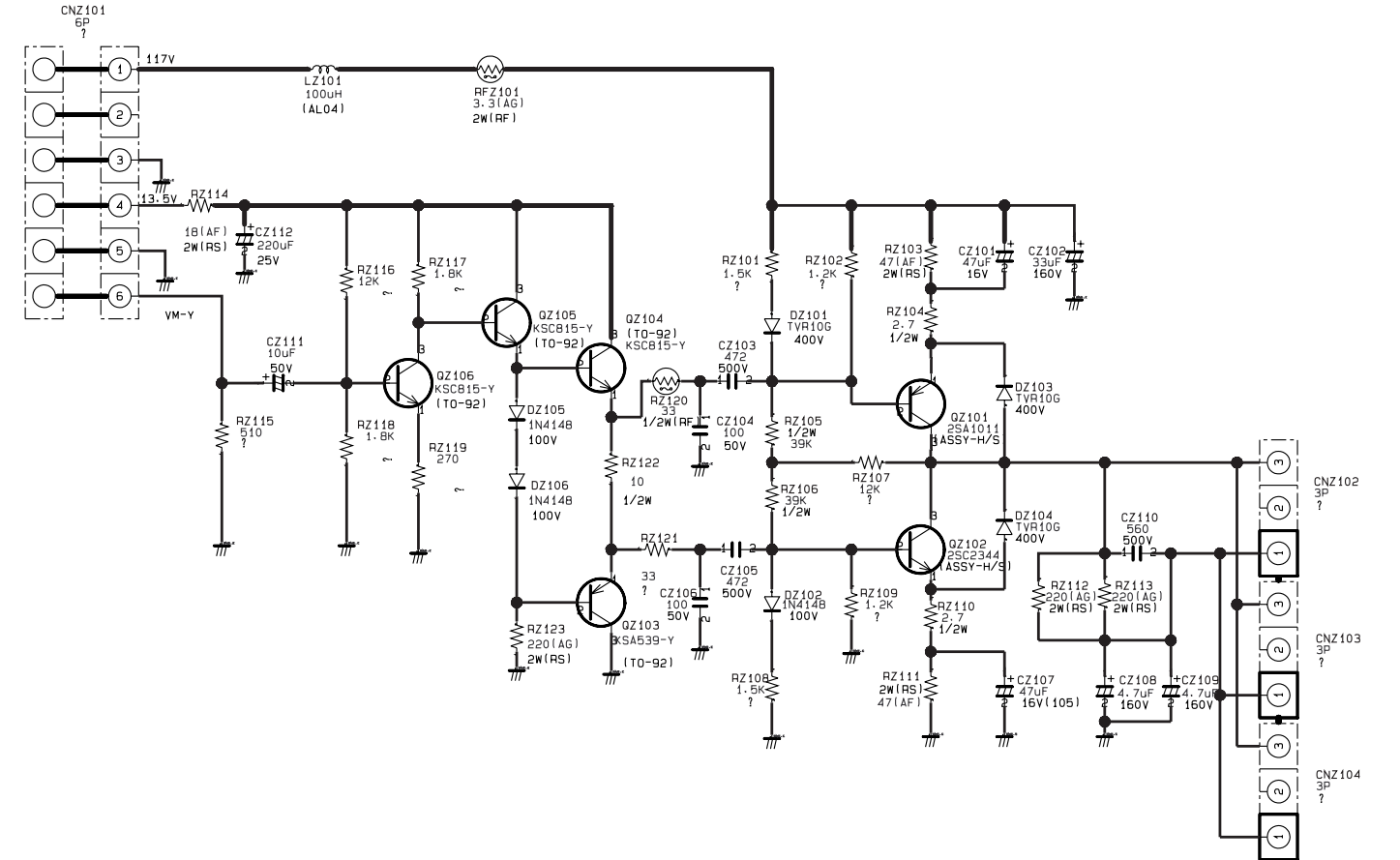


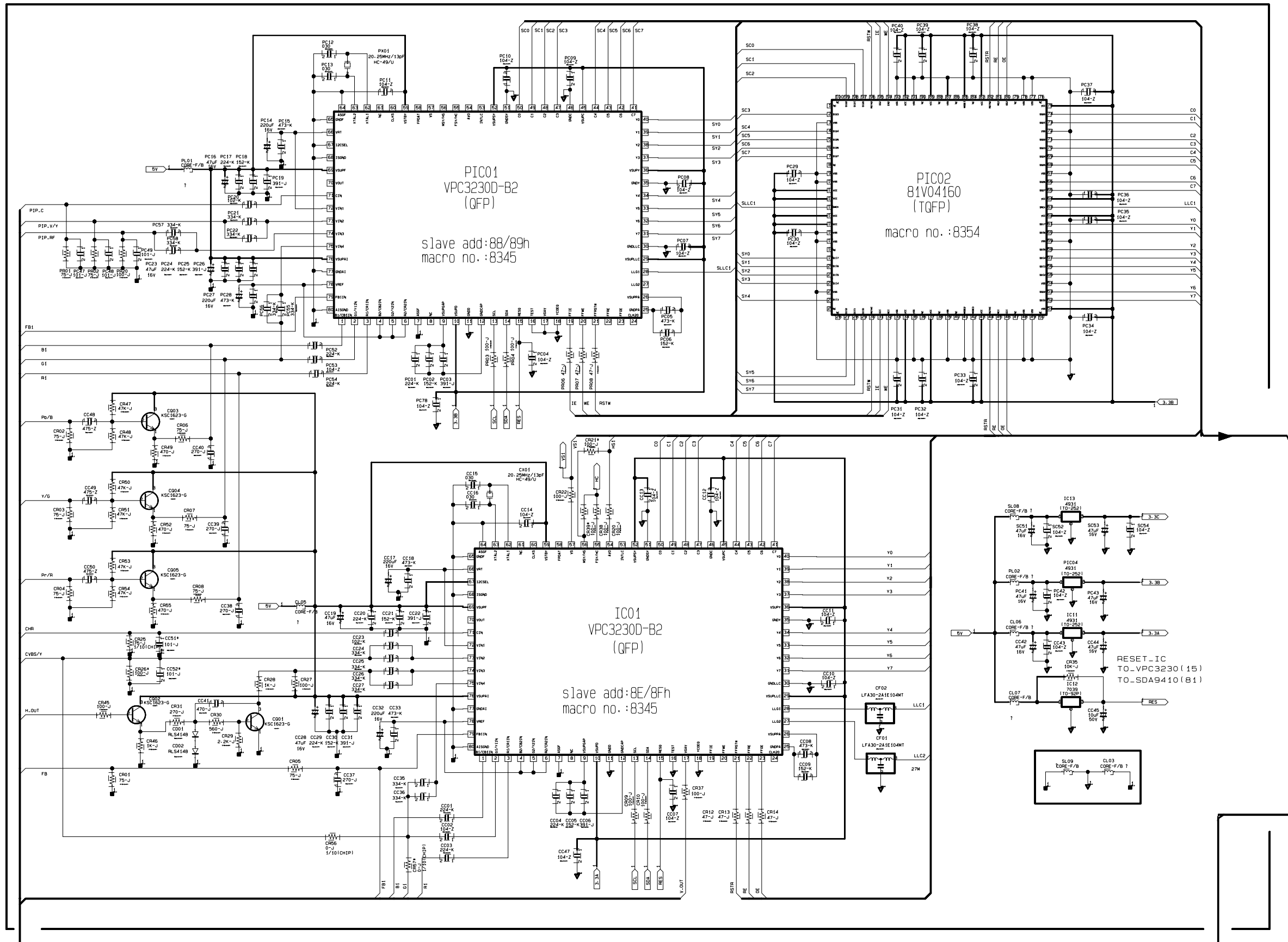
10-21 CONTROL, VM

CONTROL

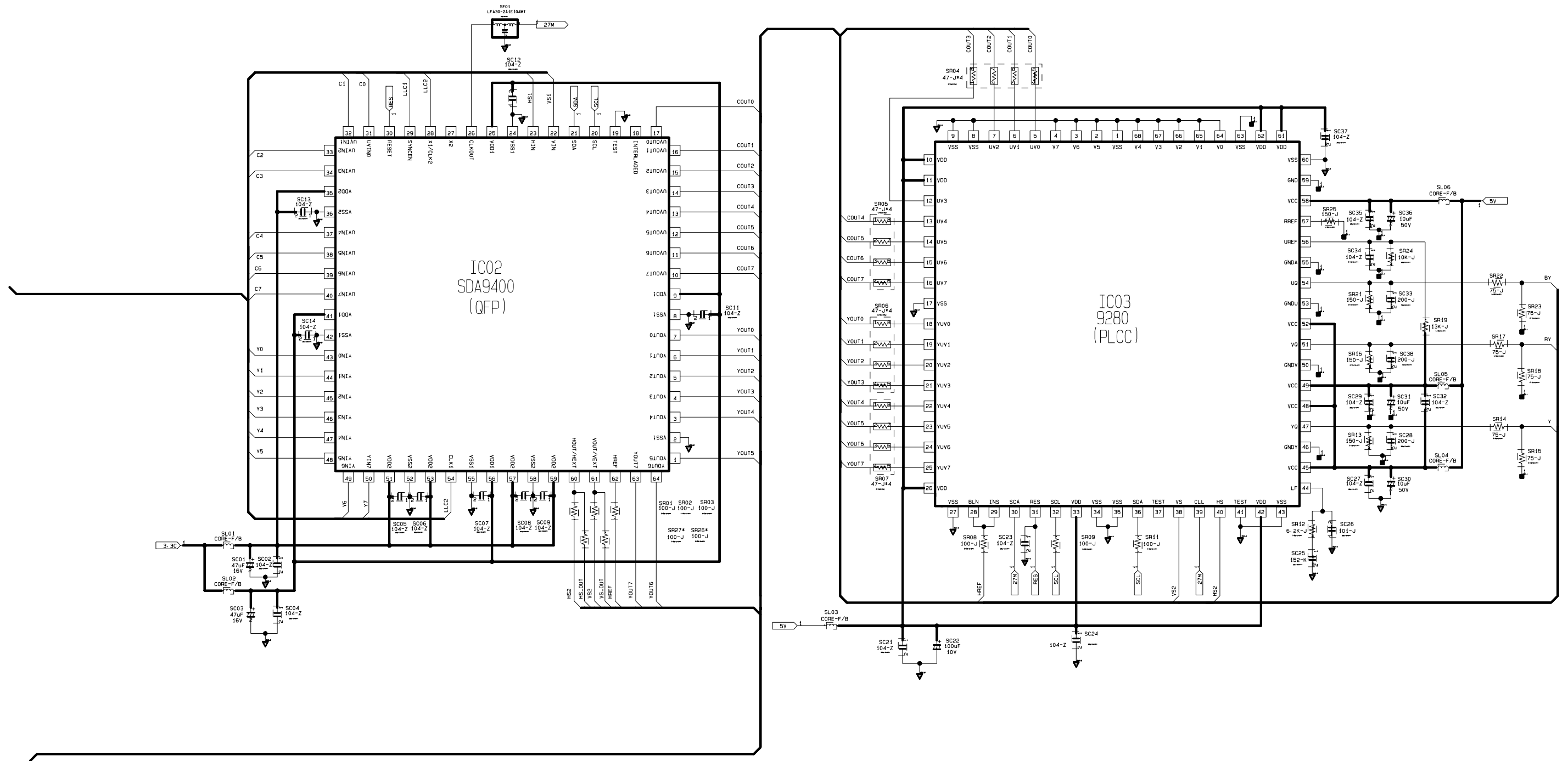


VM





10-23 DW 2





### 10-24-1 DW 3 WAVEFORMS

